

REPAIR SHEET

BRAND

RYOBI

DESCRIPTION

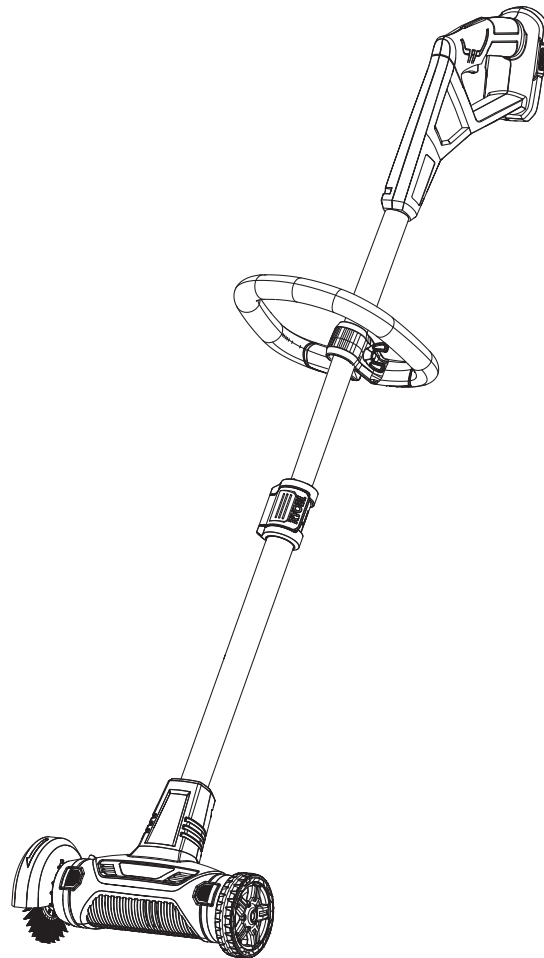
18 Volt Outdoor Patio Cleaner – Wire Brush

MODEL NO.

P2905

MFG. NO.

107419018

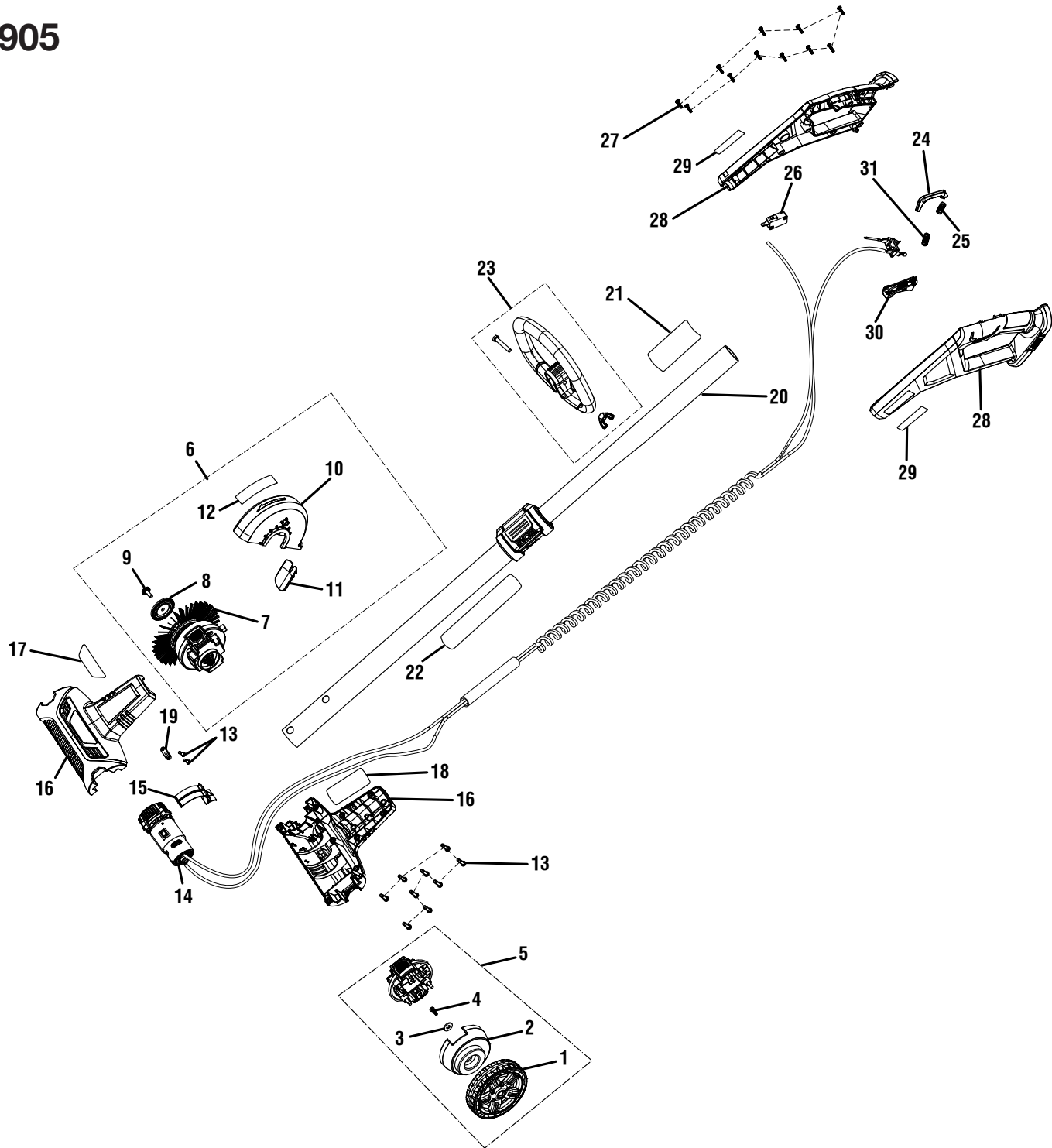


ONE WORLD TECHNOLOGIES, INC.

P.O. Box 1288, Anderson, SC 29622 ■ 1-800-525-2579 ■ www.ryobitools.com

6-8-21 (Rev:03)

The model number and manufacturing location will be found on a label attached to the product. Always mention this information in all communications regarding this product and when ordering parts.



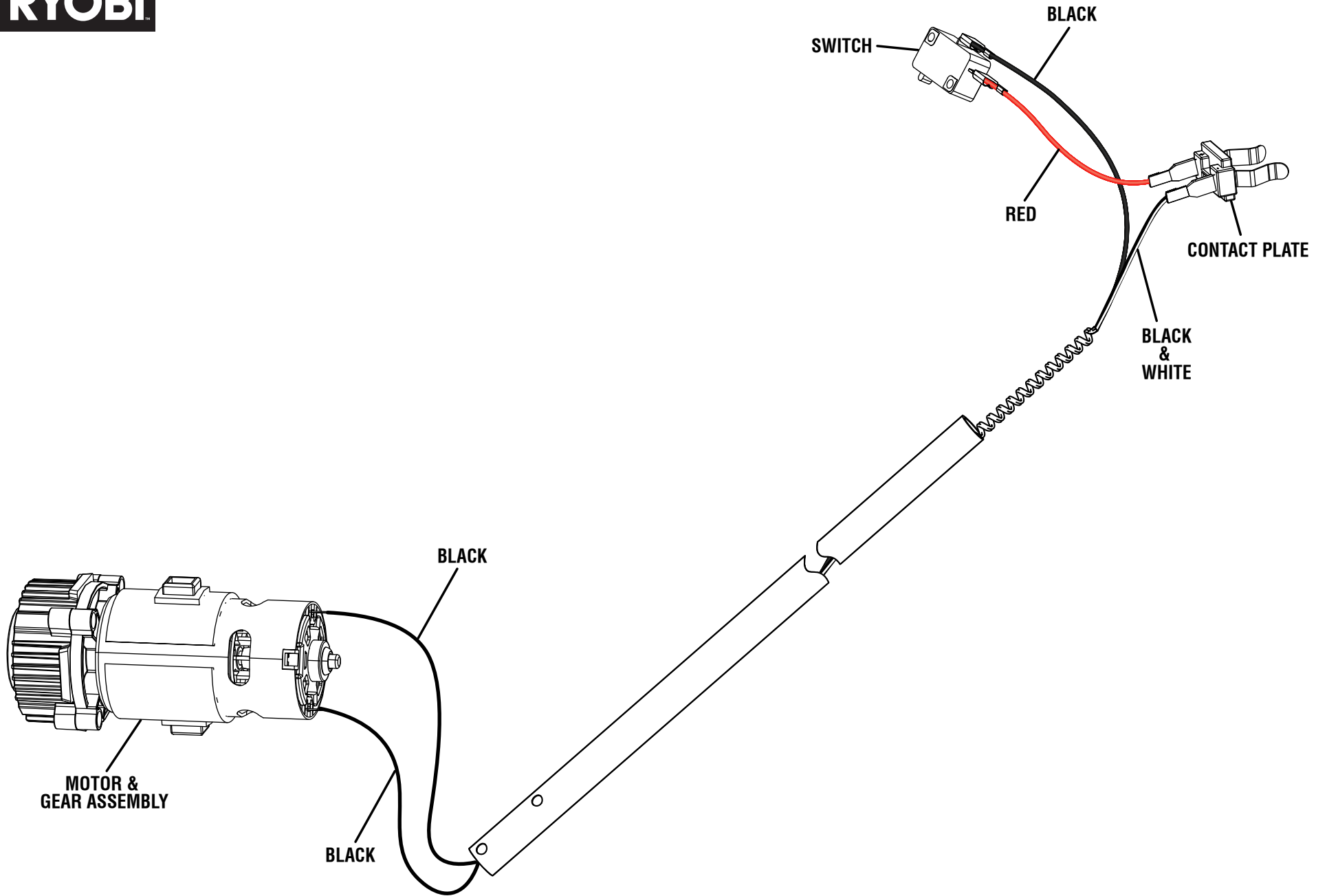


P2905

PARTS LIST

KEY NO.	PART NO.	DESCRIPTION	QTY.
1	536760001	Wheel	1
2	536762001	Base	1
3	678341001	Washer (OD14 x ID5.10 x 1.4t)	1
4	660466001	Screw (M4 x 18 mm, Phillips Pan Hd.)	1
5	314185002	Wheel Assembly (Inc. Key Nos. 1-4)	1
6	205523001	Wire Brush Assembly (Inc. Key Nos. 7-12)	1
7	314184001	Wire Brush	1
8	613916001	Lock Plate (Left)	1
9	T662835001	Screw (M5 x 13 mm, Hex Recess Hd.)	1
10	536758001	Guard (Inc. Key No. 12)	1
11	564961001	Splash Guard	1
12	941263009	Icon Label	1
13	660208052	Screw (M4 x 16 mm, Pan Hd.)	11
14	205519001	Motor and Gear Assembly	1
15	536684001	Air Channel	1
16	205522001	Motor Housing Assembly (Inc. Key Nos. 17-18)	1
17	940705489	Logo Label	1

KEY NO.	PART NO.	DESCRIPTION	QTY.
18	941263008	Data Label	1
19	513211001	Cord Clip	1
20	205518001	Telescope Shaft Assembly (Inc. Key Nos. 21-27)	1
21	941263010	Icon/Warning Label	1
22	941263011	Shaft Warning Label (FR/SP)	1
23	308991003	Handle Assembly	1
24	525492001	Trigger Lock-Out Button	1
25	679083001	Lock Out Button Spring	1
26	760279001	Micro Switch	1
27	660206055	Screw (M3.5 x 14 mm, Phillips Pan Hd.)	11
28	205517001	Rear Handle Assembly (Inc. Key No. 29)	1
29	940705492	Logo Label	2
30	525491002	Trigger	1
31	679002002	Trigger Spring	1
	Not Shown:		
	998000571	Operator's Manual	1



WIRING DIAGRAM