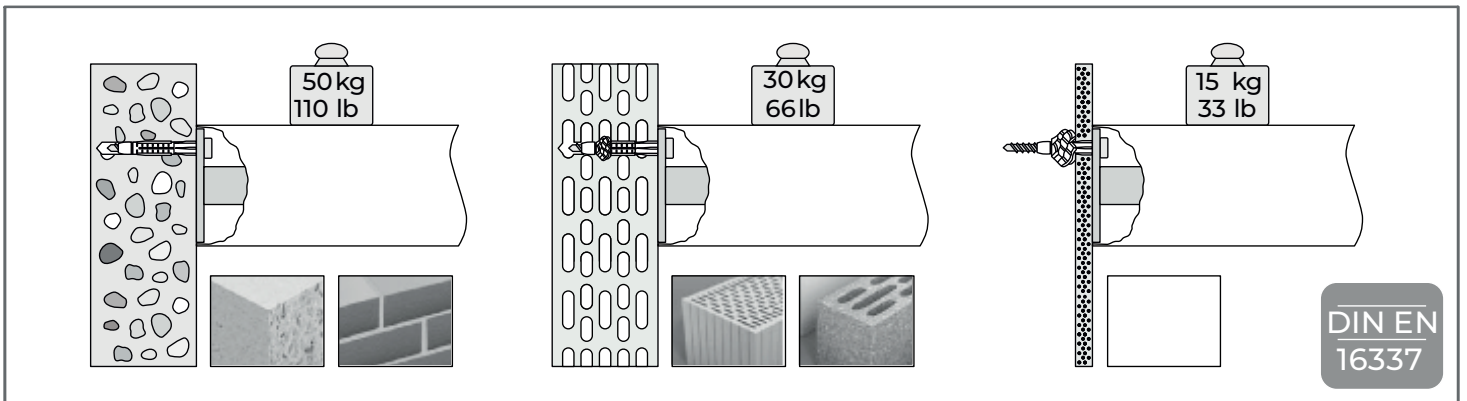
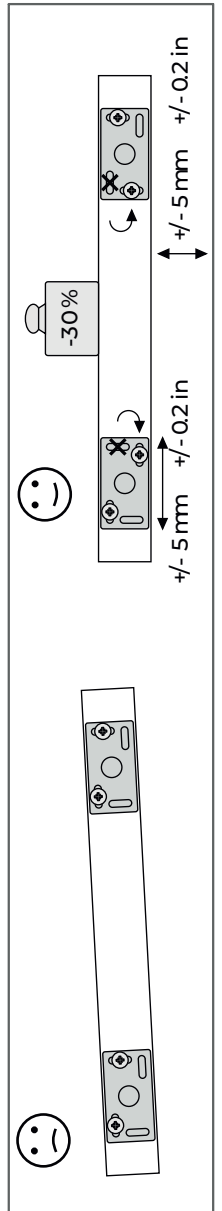
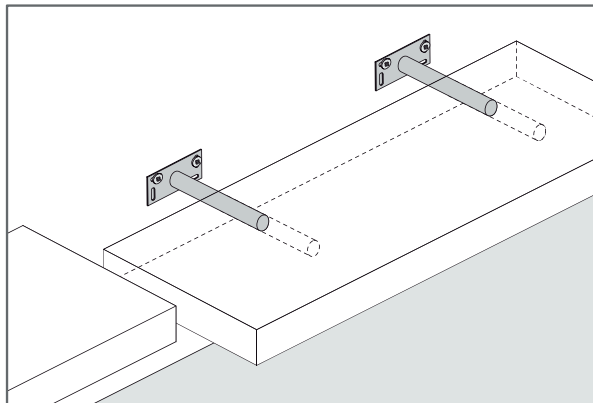
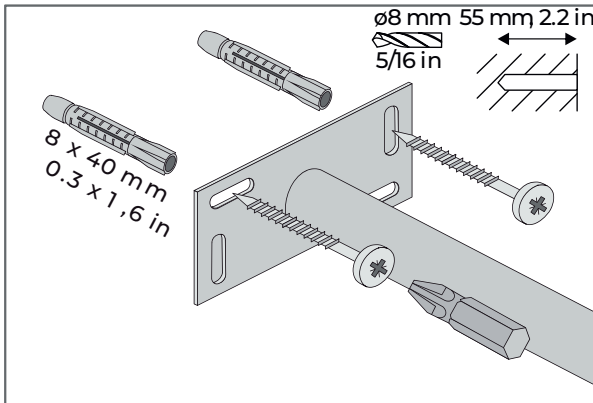
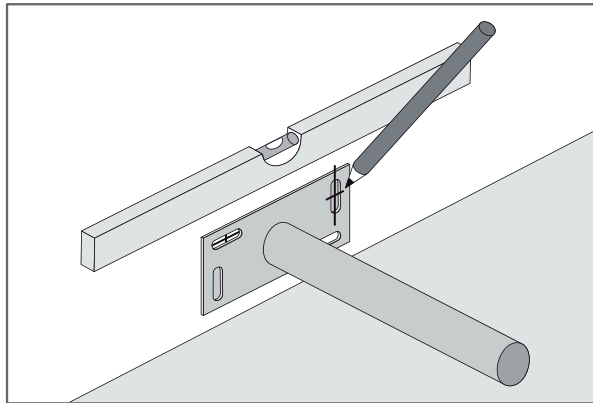
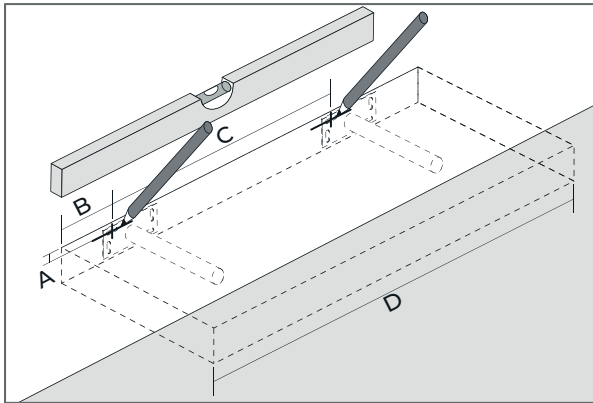
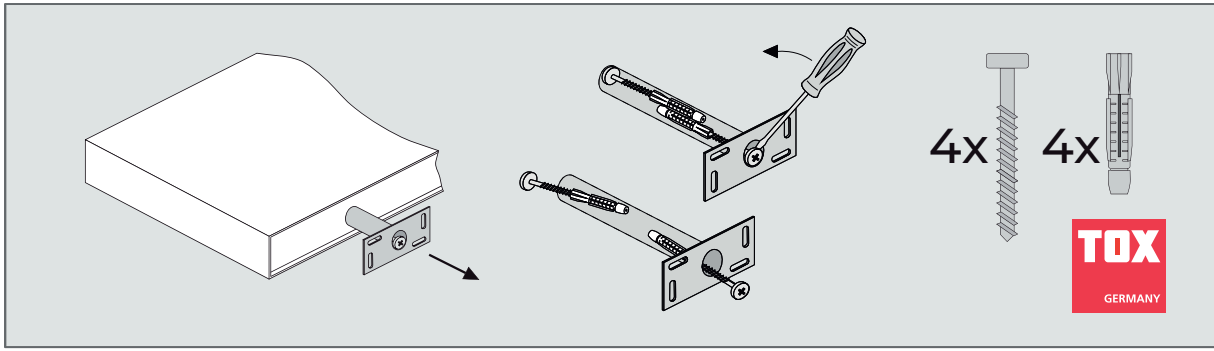


BIG BOY | 9.8 in

MONTAGEANLEITUNG
ASSEMBLY INSTRUCTION
NOTICE DE MONTAGE



	A	B	C	D
250 mm 9.8 in	13 mm 0.5 in	38 mm 1.5 in	125 mm 4.9 in	250 mm 9.8 in
445 mm 17.5 in	13 mm 0.5 in	98 mm 3.0 in	200 mm 7.9 in	445 mm 17.5 in
570 mm 22.4 in	13 mm 0.5 in	63 mm 2.5 in	400 mm 15.7 in	570 mm 22.4 in
900 mm 35.4 in	13 mm 0.5 in	125 mm 4.9 in	600 mm 23.6 in	900 mm 35.4 in
1150 mm 45.3 in	13 mm 0.5 in	253 mm 10 in	600 mm 23.6 in	1150 mm 45.3 in