

USE AND CARE GUIDE

10'x10' Curved Roof Pergola



Table of Contents


Table of Contents.....	2	Tools required.....	3
Safety Information.....	2	Hardware Included.....	3
Warranty.....	2	Package Contents.....	4
What is Covered.....	2	Operation.....	8
What is Not Covered.....	2		
Warning.....	2		
Pre-installation.....	3		
Planning Installation.....	3		


Safety Information

1. SET UP YOUR PERGOLA PROPERLY

- This unit is heavy. Do not assemble this item alone. 4 people are recommended for safe assembly.
- Please read and understand this entire manual before attempting to assemble, operate, or install the product.
- Keep all children, pets and other obstructions away from assembly area.
- If any part is missing or damaged, do not attempt to assemble the product.
- In order to avoid damage to the gazebo and its components please use appropriate tools.
- Do not use the structure as support.
- Check all bolts on a regular basis to maintain the solidity of the structure.
- Keep instructions for future use.

 **DANGER:** This unit is heavy! Do not assemble this item alone.

 **WARNING:** Do not leave the gazebo where there is a risk of high wind, as possible damage will occur to the structure.

 **CAUTION:** Do not climb on top of the gazebo. Falling off the gazebo can result in serious injury, possibly even death.

2. EXAMINE YOUR PERGOLA

- Examine occasionally to ensure there are no loose parts. If loose parts are found, they should be retightened immediately.

Warranty

1 YEAR WARRANTY FOR FRAME, 1YEAR WARRANTY FOR FABRIC


WHAT IS COVERED

We provide warranty to the original purchase for 1 year for frame and 1 year for fabric from the date of purchase, and the fabric and frame will be replaced at no charge due to manufacturing defects.

WHAT IS NOT COVERED

We do not reimburse for transportation costs. This warranty does not cover the damage caused by commercial use, acts of nature, fire, freezing, and abusive use. Discoloration or fading of the finish or fabrics as a result of chemicals or spills is not covered.

Warning

 **WARNING: KEEP ALL FLAME AND HEAT SOURCES AWAY FROM THIS TENT FABRIC.**
This tent meets the flammability requirements of CPAI-84. The fabric may burn if left in continuous contact with any flame source. The application of any foreign substance to the tent fabric may render the flame-resistant properties ineffective.

Pre-installation

PLANNING INSTALLATION

To prevent damage, place all parts on a soft surface during assembly.

Tools required for assembly (not included): Allen wrench (included), hammer, screwdriver, stepladder, level and other safety items such as gloves, safety goggles and hardhat.



NOTE: Tools and protective articles below are not provided.

TOOLS REQUIRED



Hammer



Screwdriver



Safety goggles



Gloves



Hardhat



Stepladder



Level

HARDWARE INCLUDED



NOTE: Hardware not shown to actual size.



AA



BB



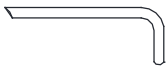
CC



DD



EE



FF

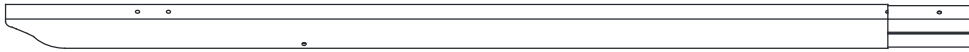
Part	Description	Quantity
AA	Bolt (M6*15)	49
BB	Bolt (M6*95)	26
CC	Wrench	2
DD	Plastic Washer	42
EE	Washer	33
FF	Stake	16

Pre-installation (continued)

PACKAGE CONTENTS



_____ A1



_____ A2



_____ B1



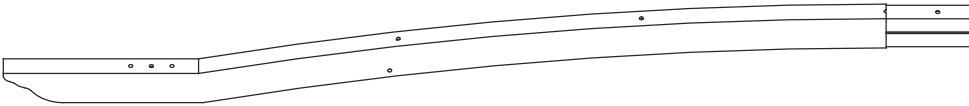
_____ B2



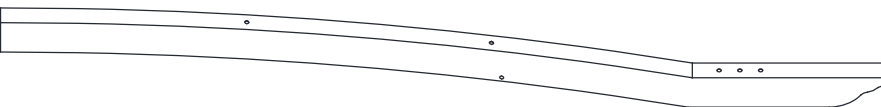
_____ C1



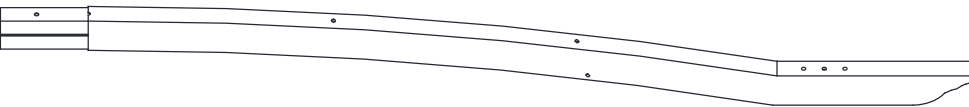
_____ C2



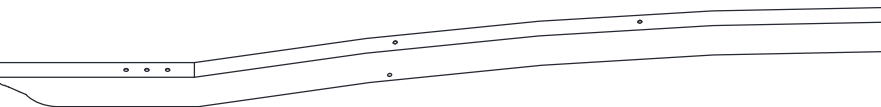
_____ D1



_____ D2



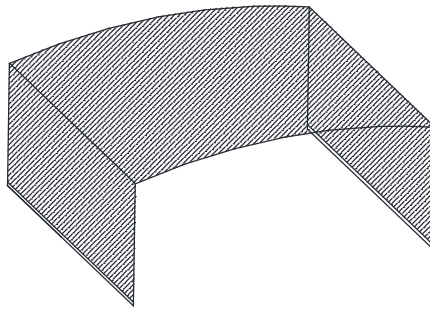
_____ E1



_____ E2

Pre-installation (continued)

PACKAGE CONTENTS



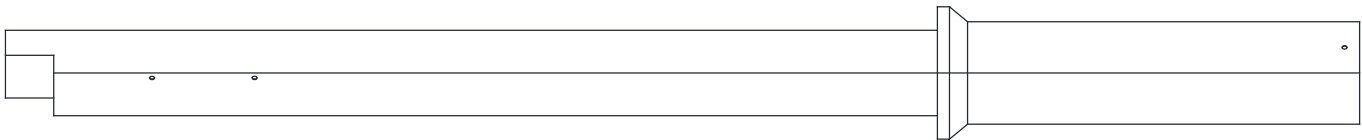
___ F



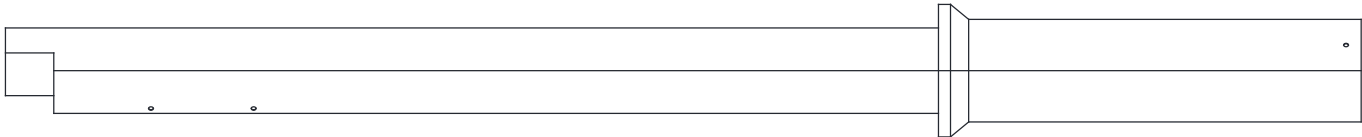
___ G1



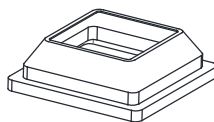
___ G2



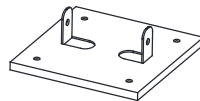
___ H



___ I



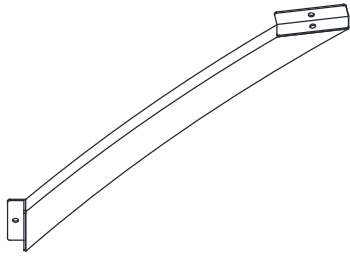
___ J



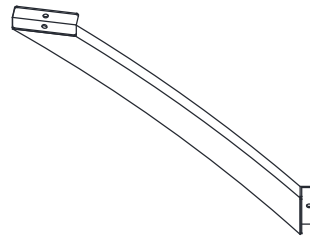
___ K

Pre-installation (continued)

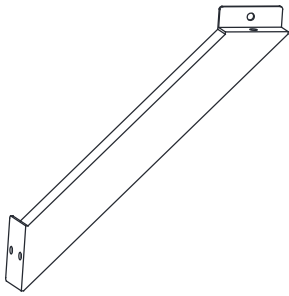
PACKAGE CONTENTS



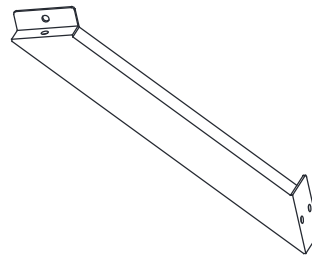
_____ L1



_____ L2



_____ N



_____ M

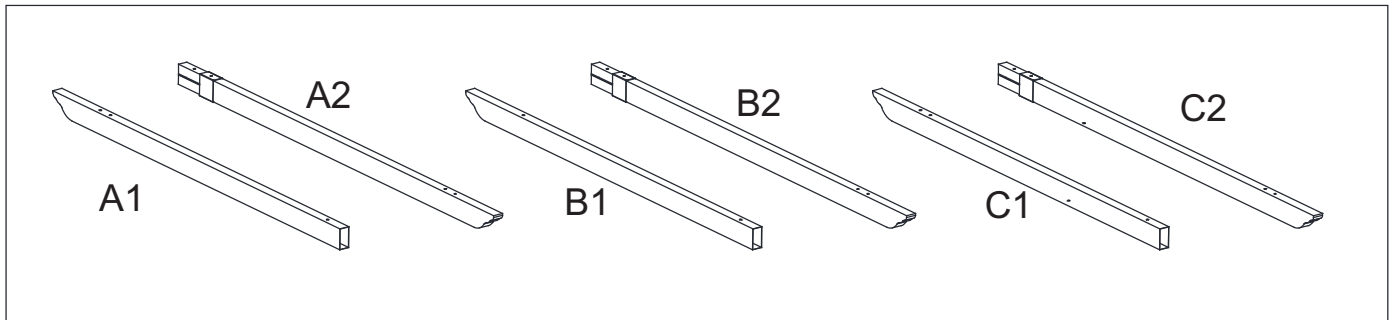
Pre-installation (continued)

PACKAGE CONTENTS

Part	Description	Quantity
A1	Left Rafter,Female	1
A2	Left Rafter,Male	1
B1	Center Rafter,Female	5
B2	Center Rafter,Male	5
C1	Right Rafter,Female	1
C2	Right Rafter,Male	1
D1	Rear Beam,Male	1
D2	Rear Beam,Female	1
E1	Front Beam,Male	1
E2	Front Beam,Female	1
F	Canopy	1
G1	Rod,Male	2
G2	Rod,Female	2
H	Post 1	2
I	Post 2	2
J	Post Skirt	4
K	Plate	4
L1	Brace 1	2
L2	Brace 2	2
M	Brace 3	2
N	Brace 4	2

Operation

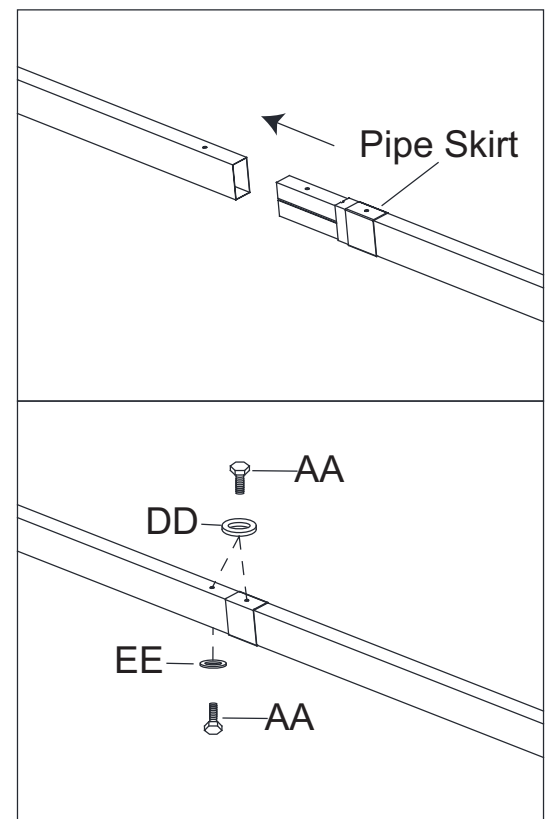
1



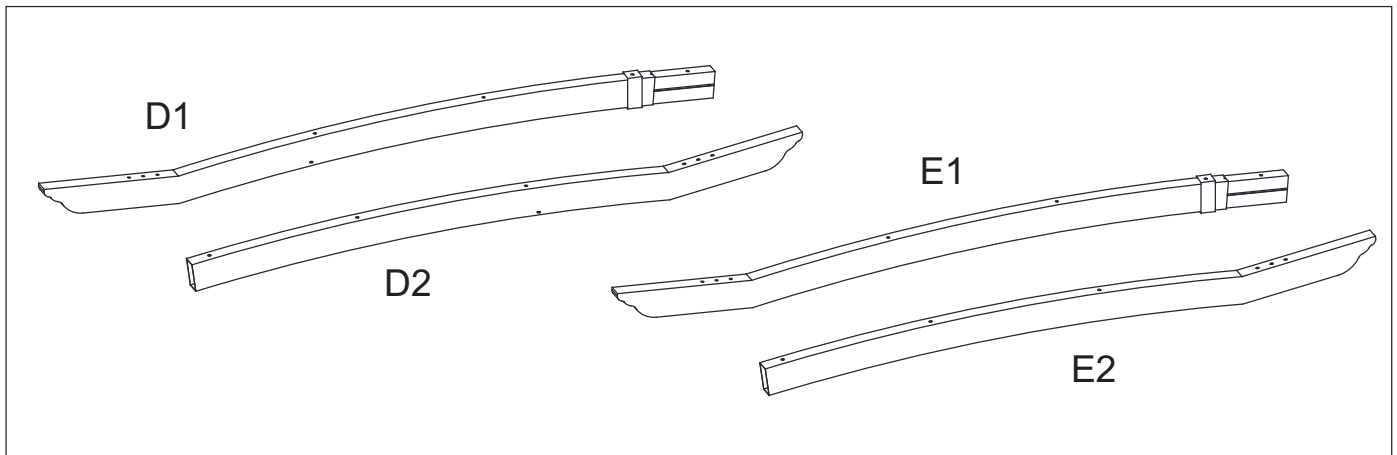
- Set aside all rafter pieces. Assemble the left rafter by inserting the left rafter, male (A1) into the left rafter, female (A2). Secure the top of the joined rafter with a plastic washer (DD) and M6*15 mm bolt (AA).

Secure the bottom of the rafter with a washer (EE) and M6*15 mm bolt (AA). Slide the preassembled pipe skirt on the joined rafter. Secure pipe skirt with a washer (DD) and M6*15 mm bolt (AA).

Repeat this process for the five center rafters using the center rafters, male (B1) and center rafters, female (B2). Repeat this process for the right rafter using the right rafter, male (C1) and right rafter, female (C2).

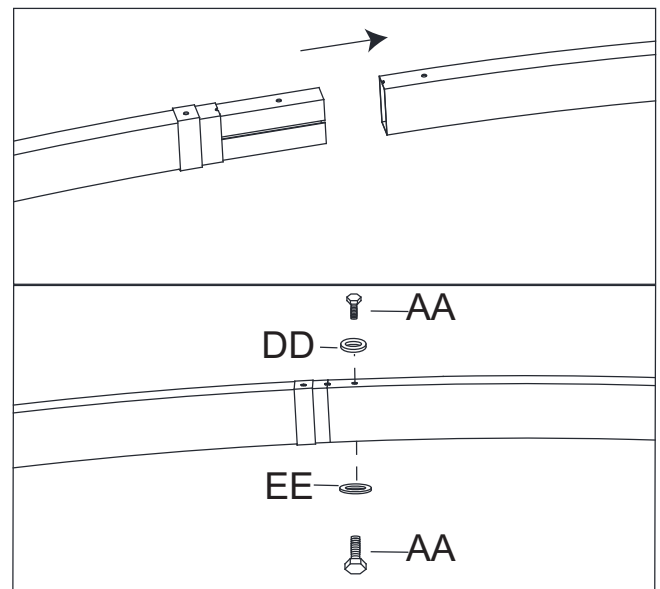


2



- Set aside all beam. Assemble the rear beam by inserting the rear beam, male (D1) into the rear beam, female (D2). Secure the of the joined beam with a plastic washer (DD) and M6*15 mm bolt (AA). Secure the bottom of the beam with a washer (EE) an M6*15 mm bolt (AA).

Repeat this process for the front beam using the front beam, male (E1) and front beam, female (E2).

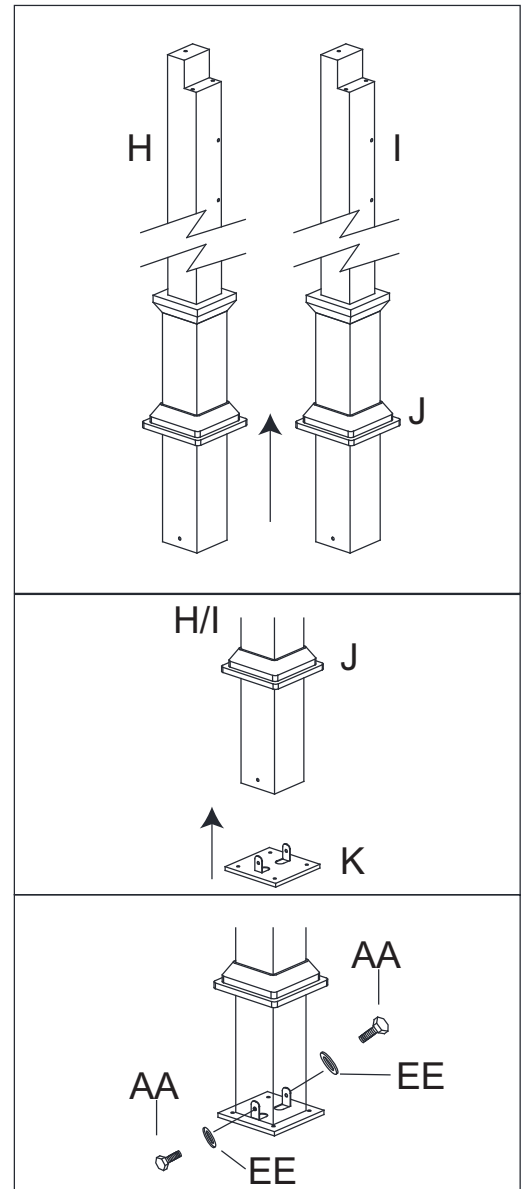


Operation (continued)

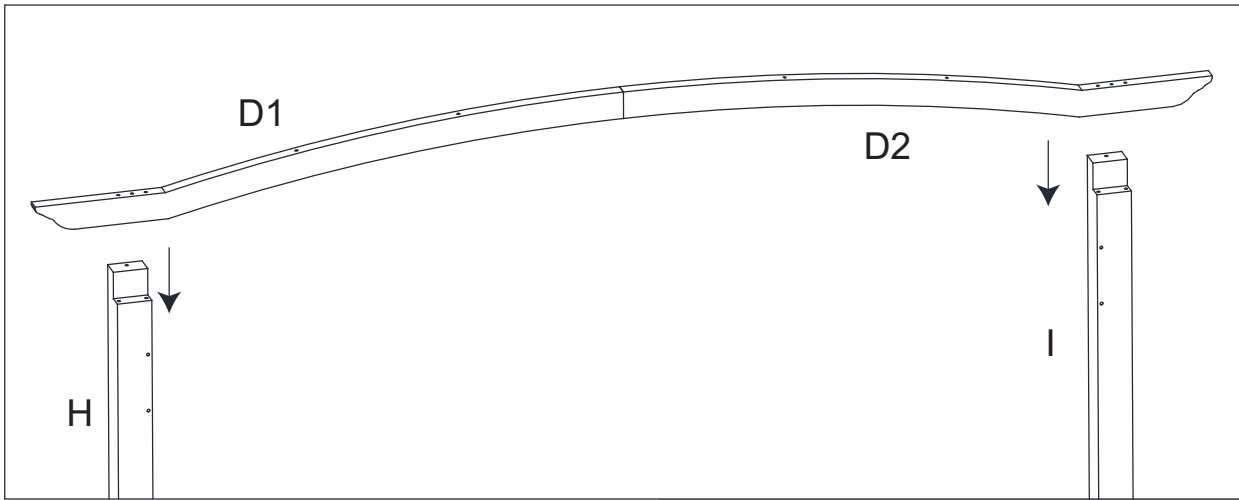
3

- Slide one post skirt (J) onto each post 1 (H) and post 2 (I).

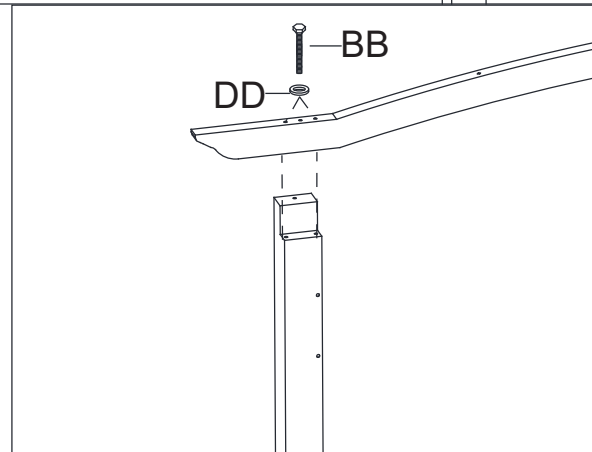
Attach one plate (K) to each post 1 (H) and post 2 (I). Secure each with washers (EE) and M6*15 mm bolt (AA).



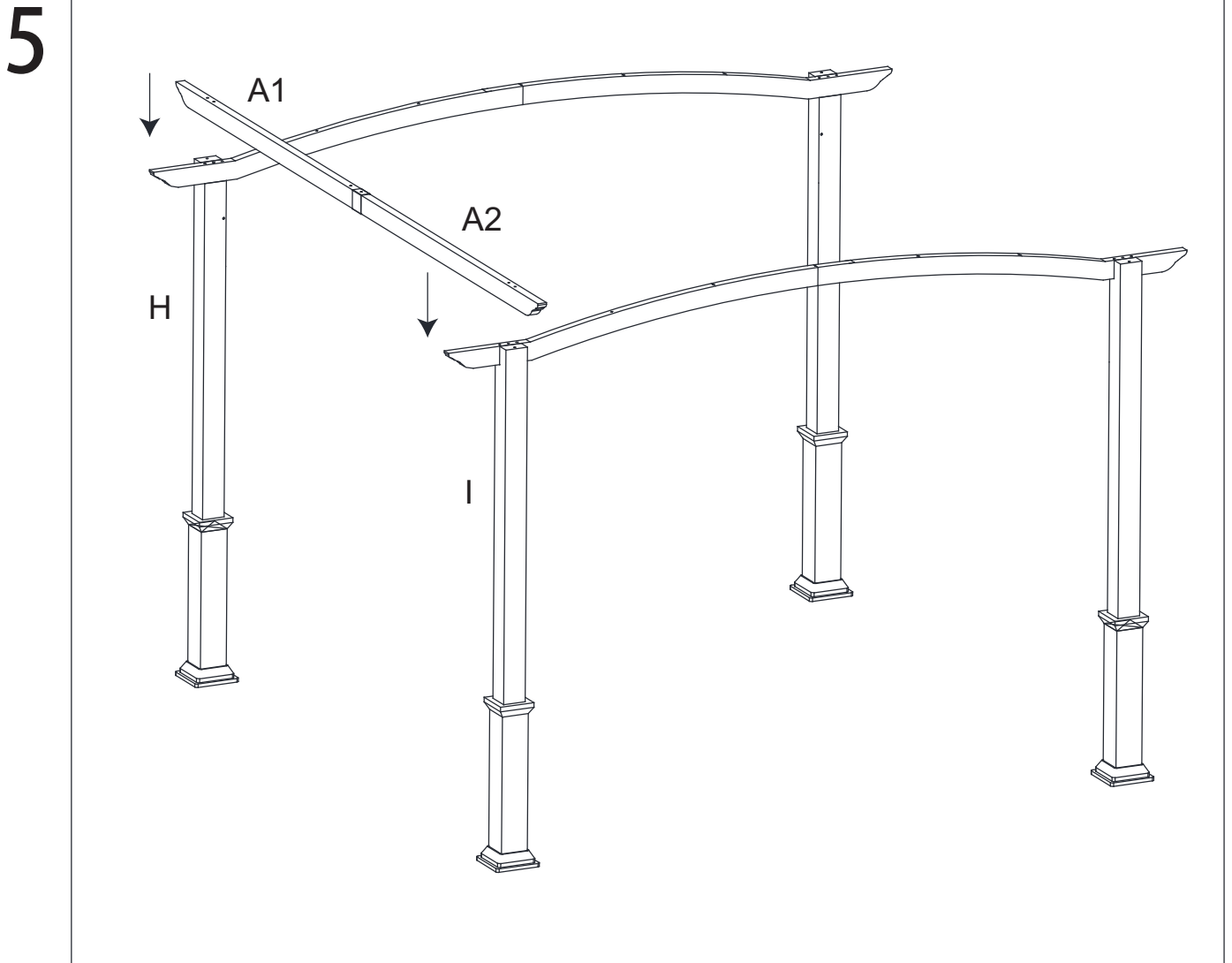
4



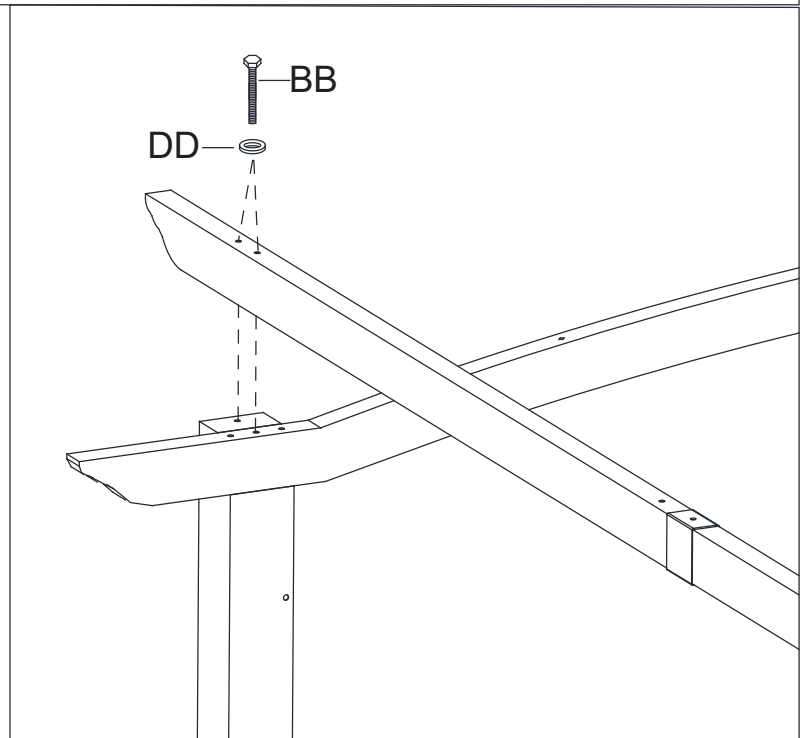
- Attach rear beam (D1/D2) to post 1 (H) and post 2 (I). Secure with plastic washers (DD) and M6*95 mm bolts (BB). Repeat for front beam (E1/E2).



Operation (continued)



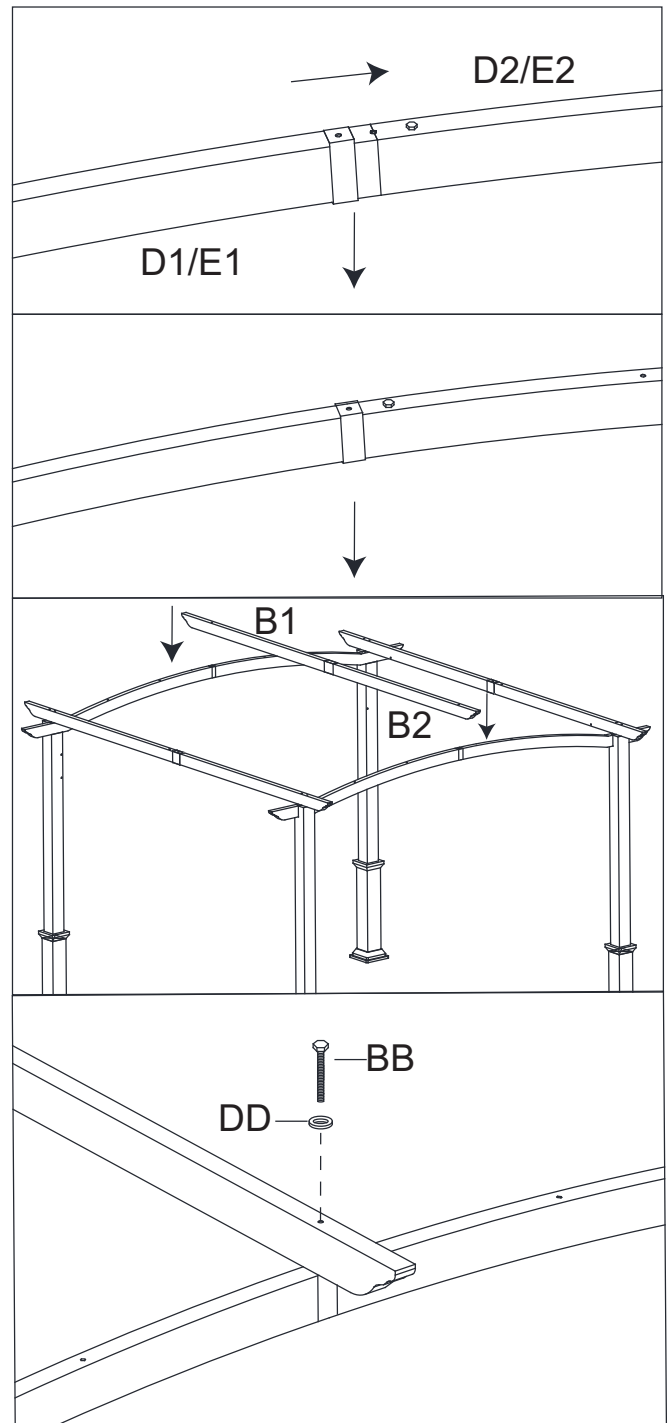
- Attach left rafter (A1/A2) to the top of the beam and post assembly. Secure on both sides with plastic washers (DD) and M6*95mm bolt (BB). Repeat for right rafter (C1/C2).



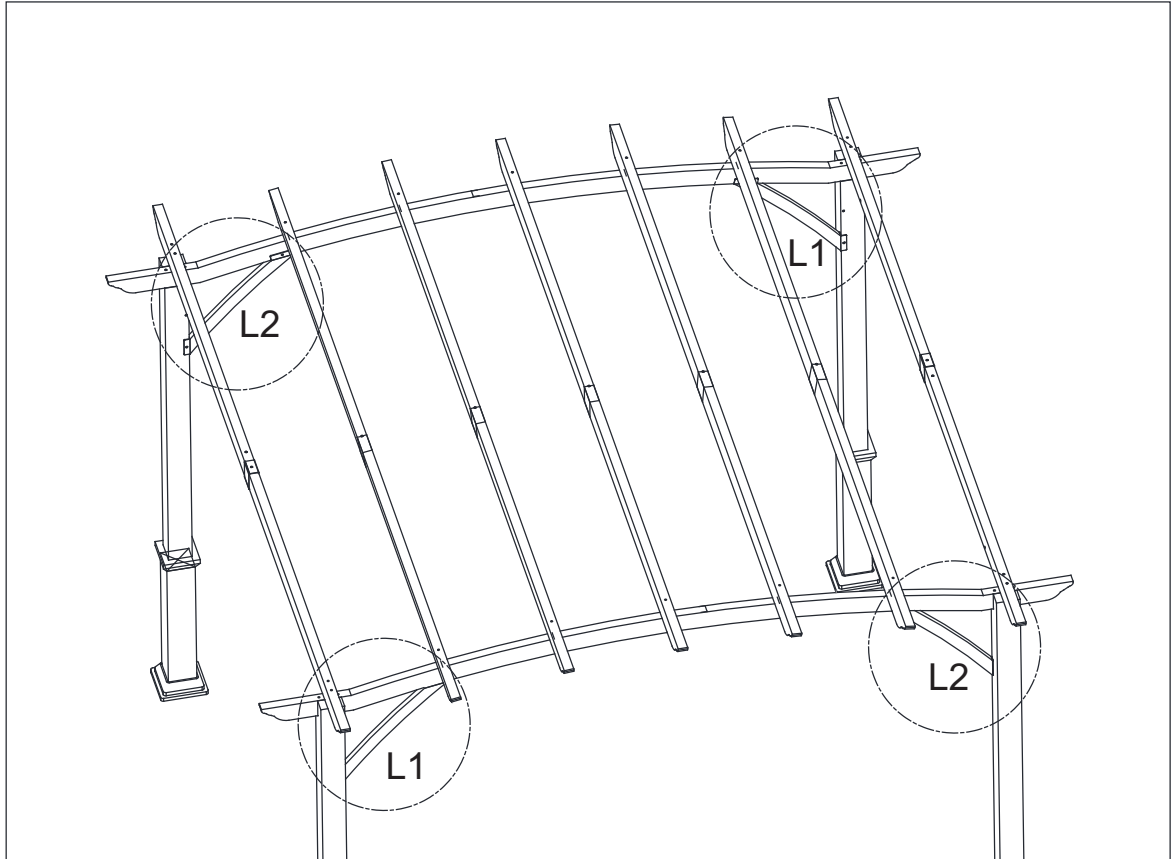
Operation (continued)

6

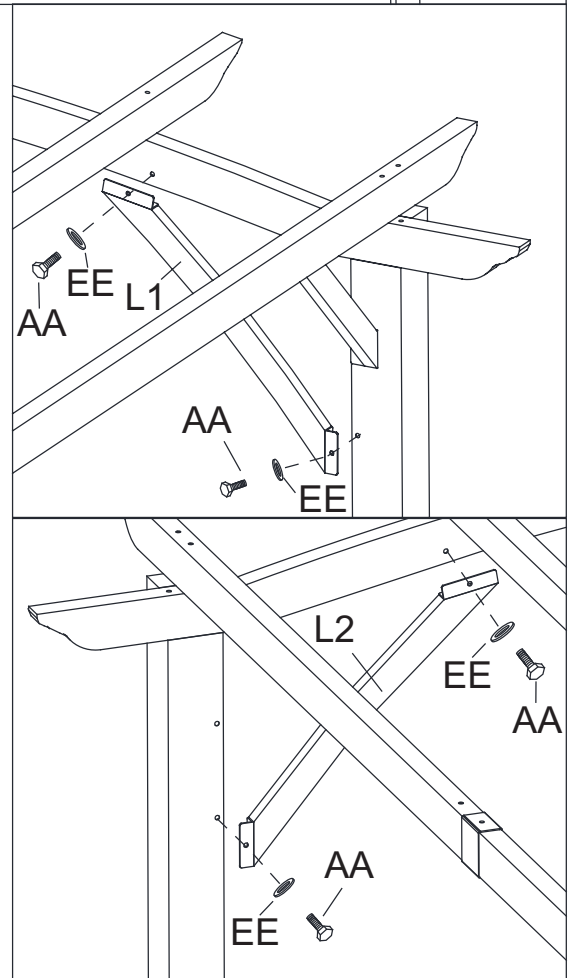
- Slide the pipe skirt on the center of the beam (D1D2/E1E2) as shown, then attach center rafter (B1/B2) to the top center of the beam. Secure with plastic washer (DD) and M6*95 mm bolt (BB). Repeat for four remaining center rafters (B1/B2).



7

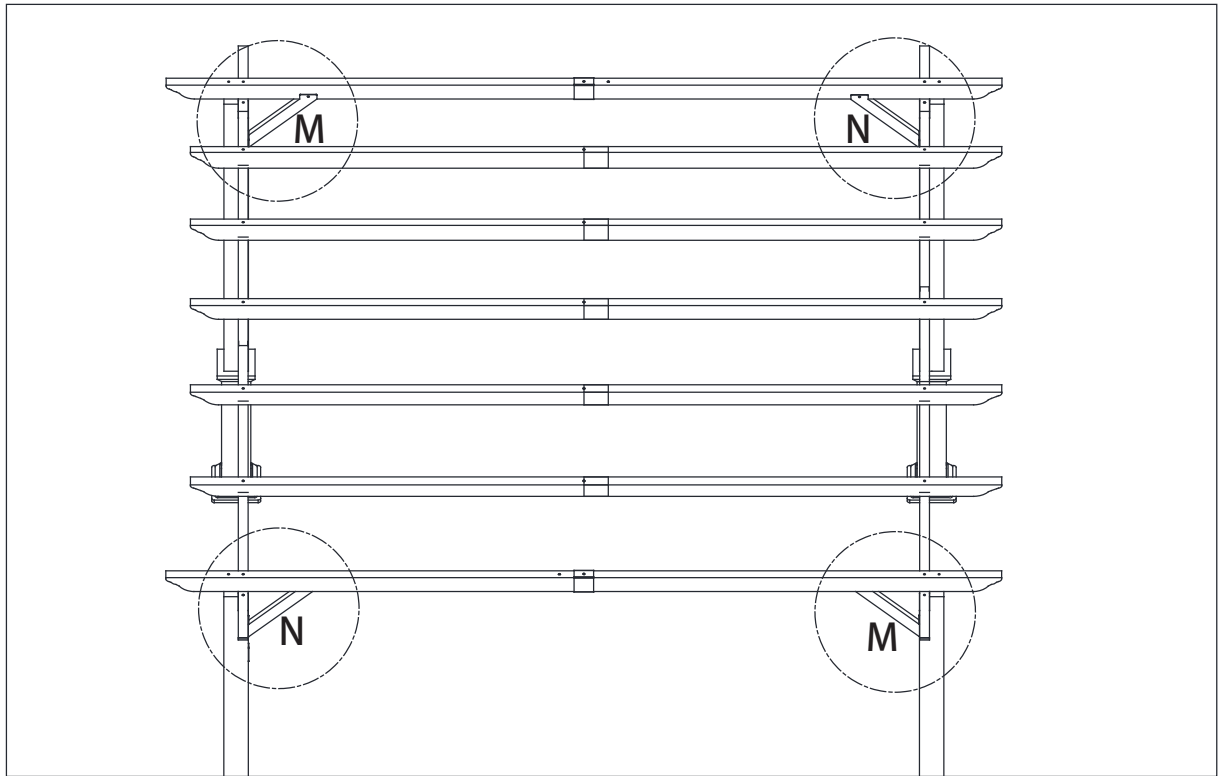


- Attach a brace (L1/L2) to the pergola assembly as shown. Secure with washers (EE) and M6*15 mm bolt (AA). Repeat for remaining braces (L1/L2).

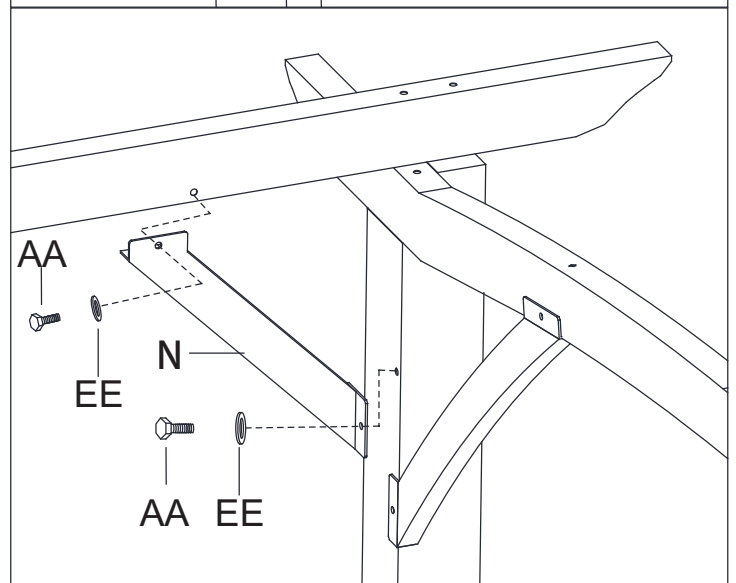
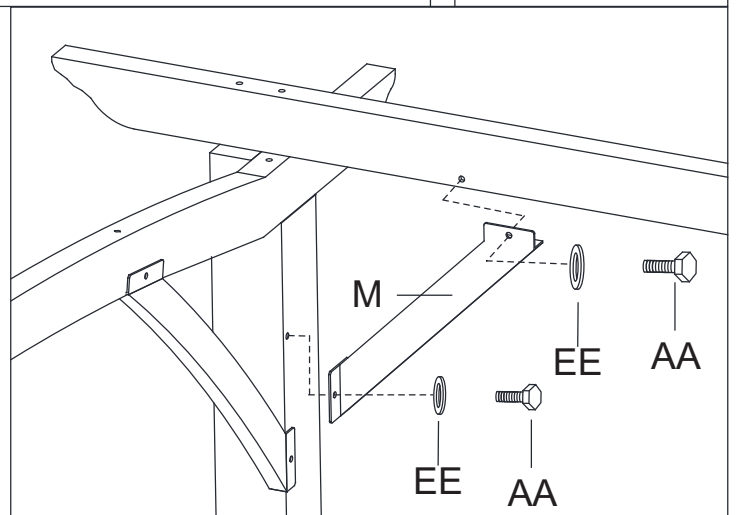


Operation (continued)

8



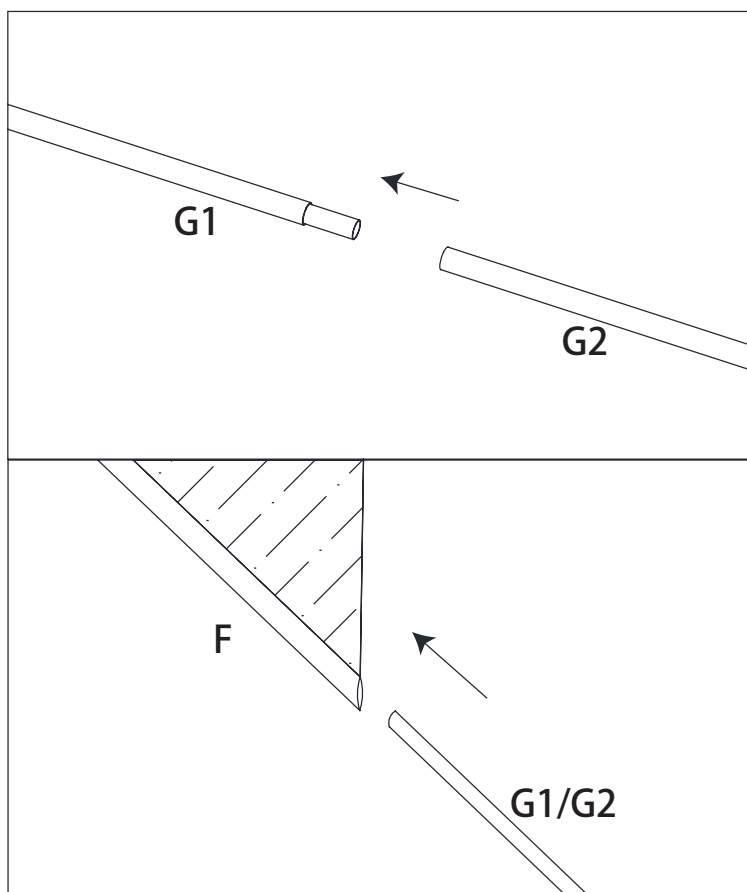
- Attach a brace (N/M) to the pergola assembly as shown. Secure with washers (EE) and M6*15 mm bolts (AA). Repeat for remaining brace (N/M).



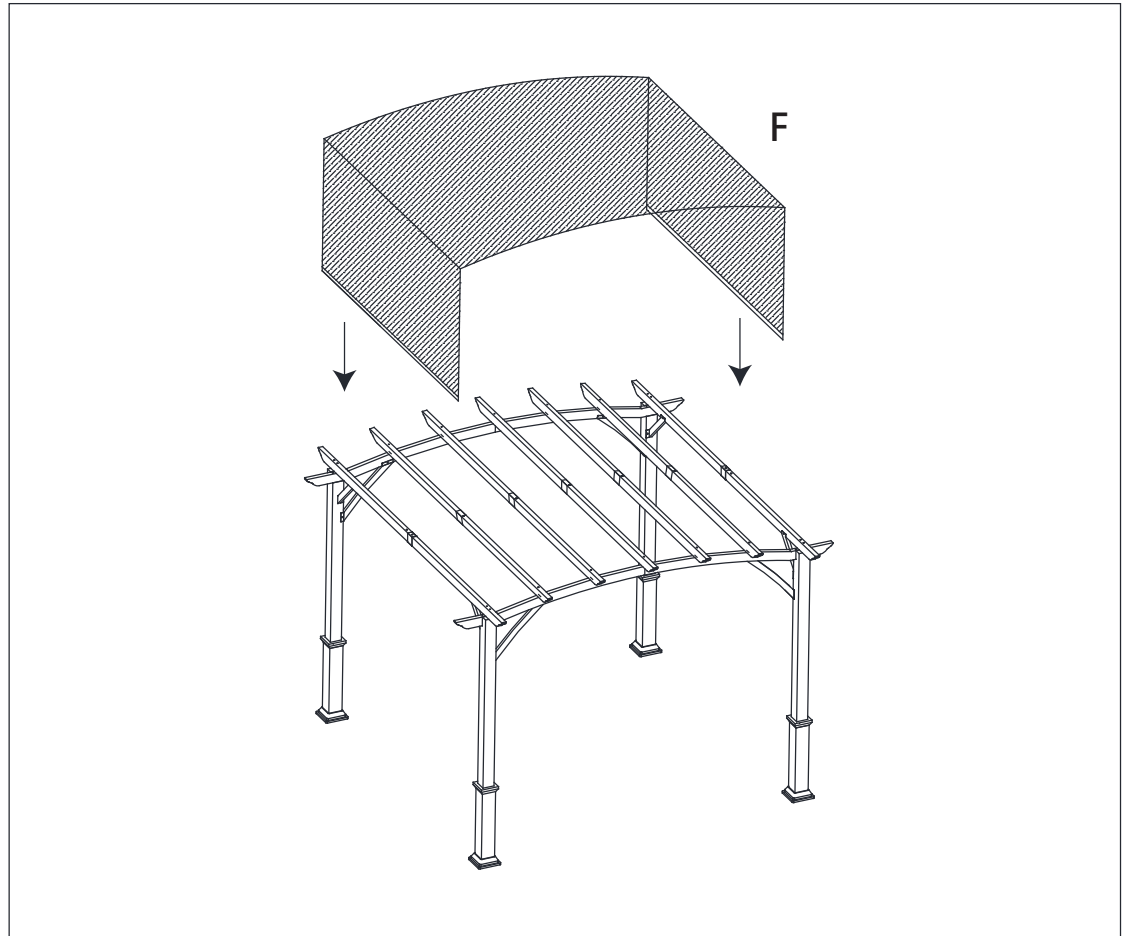
Operation (continued)

9

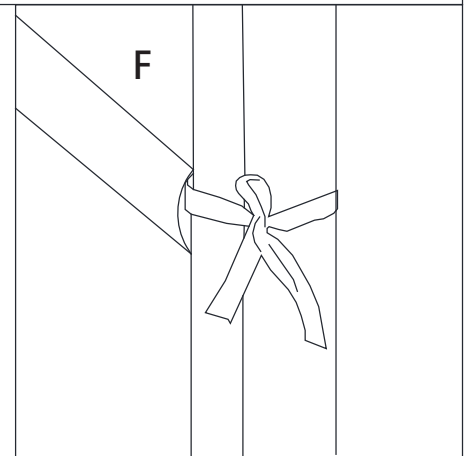
- Insert rod, male (G1) into rod, female (G2). Insert rod assembly into canopy (F). Repeat for remaining rod assembly.



10



- Place canopy (F) over pergola. Tie corners of canopy (F) to each post.



11

- Insert stakes (FF) into plate (K). Place post skirt (J) over plate (K). Repeat for remaining stakes (FF) and post skirts (J).

