



**HOW TO OBTAIN REPLACEMENT PARTS:**  
 Replacement parts can be purchased by  
 calling 1-866-373-9131.

**PARTS AND SERVICE:** Prior to requesting service or purchasing replacement parts, please obtain your receipt with your cabinet Information.

Date of Purchase: \_\_\_\_\_

Home Depot Order Number or Receipt Number: \_\_\_\_\_

What color is your cabinet? \_\_\_\_\_

Is your cabinet a wall, base or other type of cabinet? \_\_\_\_\_

Model Number of your Cabinet? \_\_\_\_\_

If you purchased more than 1 cabinet in your order our customer service team will help you with identifying the correct cabinet and part needed.

Using the information in this form what do you need? \_\_\_\_\_

\_\_\_\_\_

\_\_\_\_\_

\_\_\_\_\_

Due to nature of materials and finishes Ideal Cabinetry cannot guarantee replacement part will be an exact color match.

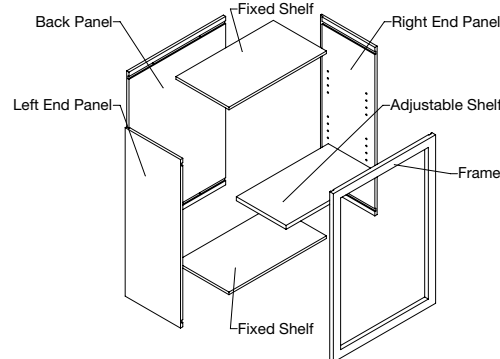
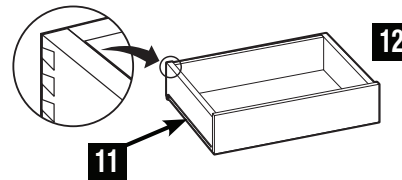
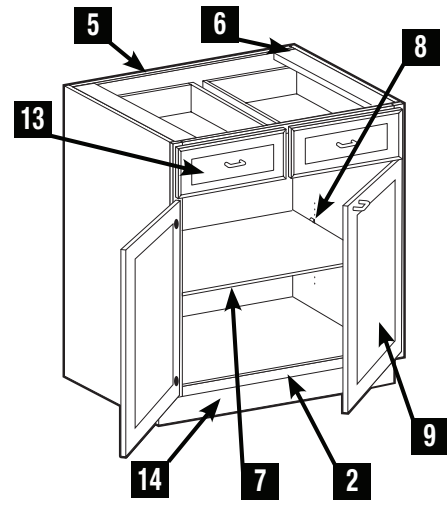
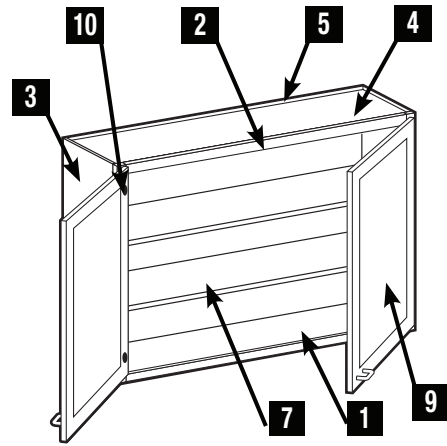
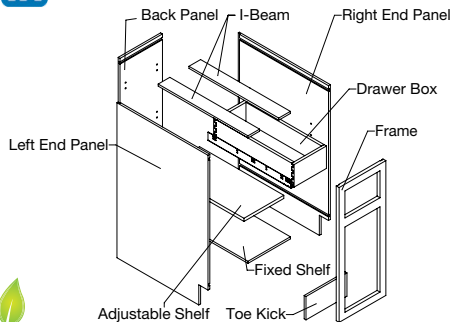
**Limited Lifetime Warranty**

In the event of a warranted product performance issue, submit request including proof of purchase documentation, specific description of warranty issue (include photos) in writing to:

Warranty Department 210 Century Boulevard Bartow, FL 33830

Due to nature of materials and finishes Ideal Cabinetry cannot guarantee warranty replacement will be an exact match. Ideal Cabinetry reserves the right to alter design, specifications and material without obligation to make changes to product previously manufactured.

Ideal Cabinetry  
 210 Century Blvd  
 Bartow, FL 33830



**CABINET PARTS**

<b>1</b>	<b>INTERIOR</b>	Natural birch vinyl laminate provides a durable, wipe clean finish.
<b>2</b>	<b>FACE FRAME</b>	1½" wide x 3/4" thick solid hardwood pocket screwed.
<b>3</b>	<b>END PANELS</b>	1/2" thick CARB2 plywood, exterior vinyl laminate is color matched to the face frame.
<b>4</b>	<b>FLOOR &amp; CEILING</b>	1/2" thick CARB2 plywood, both sides captured by end panels.
<b>5</b>	<b>BACK PANELS</b>	1/2" thick CARB2 plywood with natural birch vinyl laminate interior and raw exterior. The 'clipped' back panels on Wall Angle and Easy Reach Corner cabinets will be 1/4" plywood.
<b>6</b>	<b>"I-BEAM" SUPPORTS</b>	1/2" thick CARB2 plywood, full depth braces provide stability and support for countertop attachment.
<b>7</b>	<b>ADJUSTABLE SHELVES</b>	3/4" thick CARB2 plywood finished with natural birch vinyl laminate and matching edgebanding. Base and wall adjustable shelves are full depth. 75 lb. weight capacity
<b>8</b>	<b>SHELF SUPPORTS</b>	Clear, high strength plastic with locking top tab to prevent shelf tip. Provides easy shelf adjustment.
<b>9</b>	<b>DOORS</b>	Stylish, full-overlay doors available in stained hardwoods or MDF. See pages 2-3 for details.
<b>10</b>	<b>HINGES</b>	Fully concealed 110° opening Soft Close hinges with 6-way adjustment for ease of alignment.
<b>11</b>	<b>RUNNERS</b>	Drawers and Roll-Out Trays feature smooth glide, full extension, soft close, under mounted runners that engage when 1" from closed. Runners are rated for 90 lb. dynamic loads.
<b>12</b>	<b>DRAWERS &amp; ROLL-OUT TRAYS</b>	5/8" thick finger jointed hardwood four sided dovetail box construction, finished with a clear top coat and a 1/4" thick captured plywood interior. 90 lb. weight capacity
<b>13</b>	<b>DRAWER FRONTS</b>	Stylish full overlay drawer fronts available in solid hardwood or MDF. See pages 2-3 for details. For base kitchen and vanity cabinets, the top drawer front is 8" high & bottom two drawer fronts are 10 1/2" high
<b>14</b>	<b>INTEGRAL TOE KICK</b>	1/2" thick plywood secured between end panels. Provides solid backing for installation of Matching Toe Kick (MTK8) or other materials such as ceramic, vinyl, etc.

