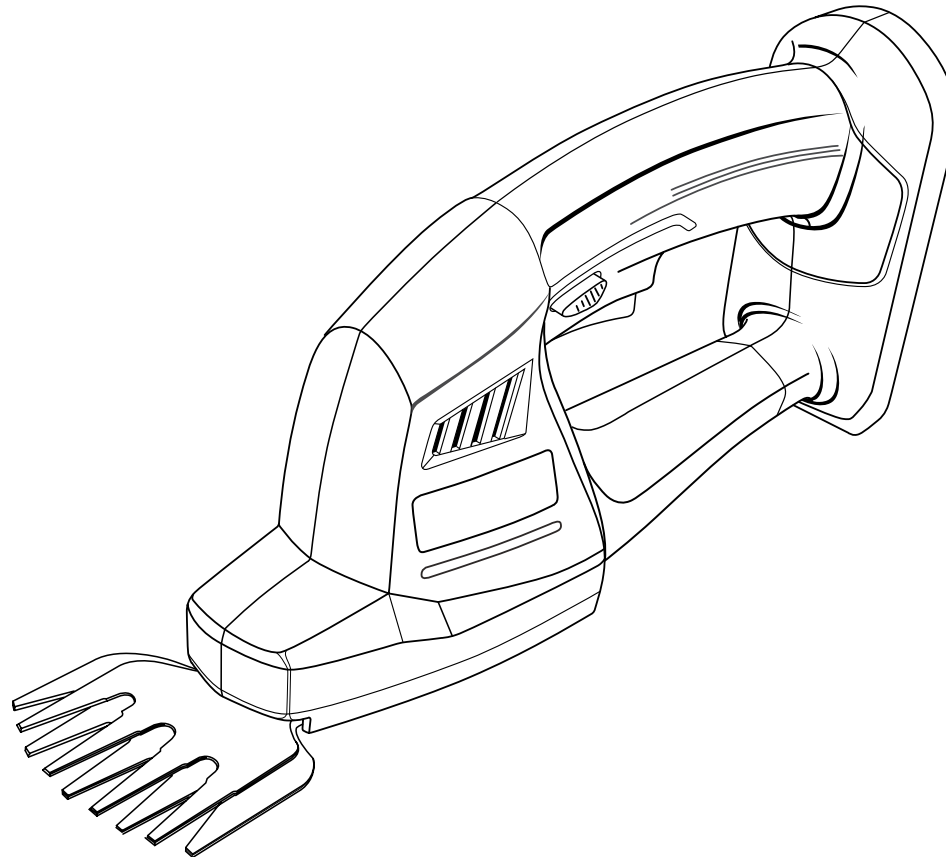


# REPAIR SHEET

BRAND <b>RYOBI</b>		DESCRIPTION <b>18 Volt Grass Shear/Shrubber</b>
MODEL NO. <b>P2900</b> <b>P2900VNM</b>	MFG. NO. <b>107269001</b> <b>107269101</b>	

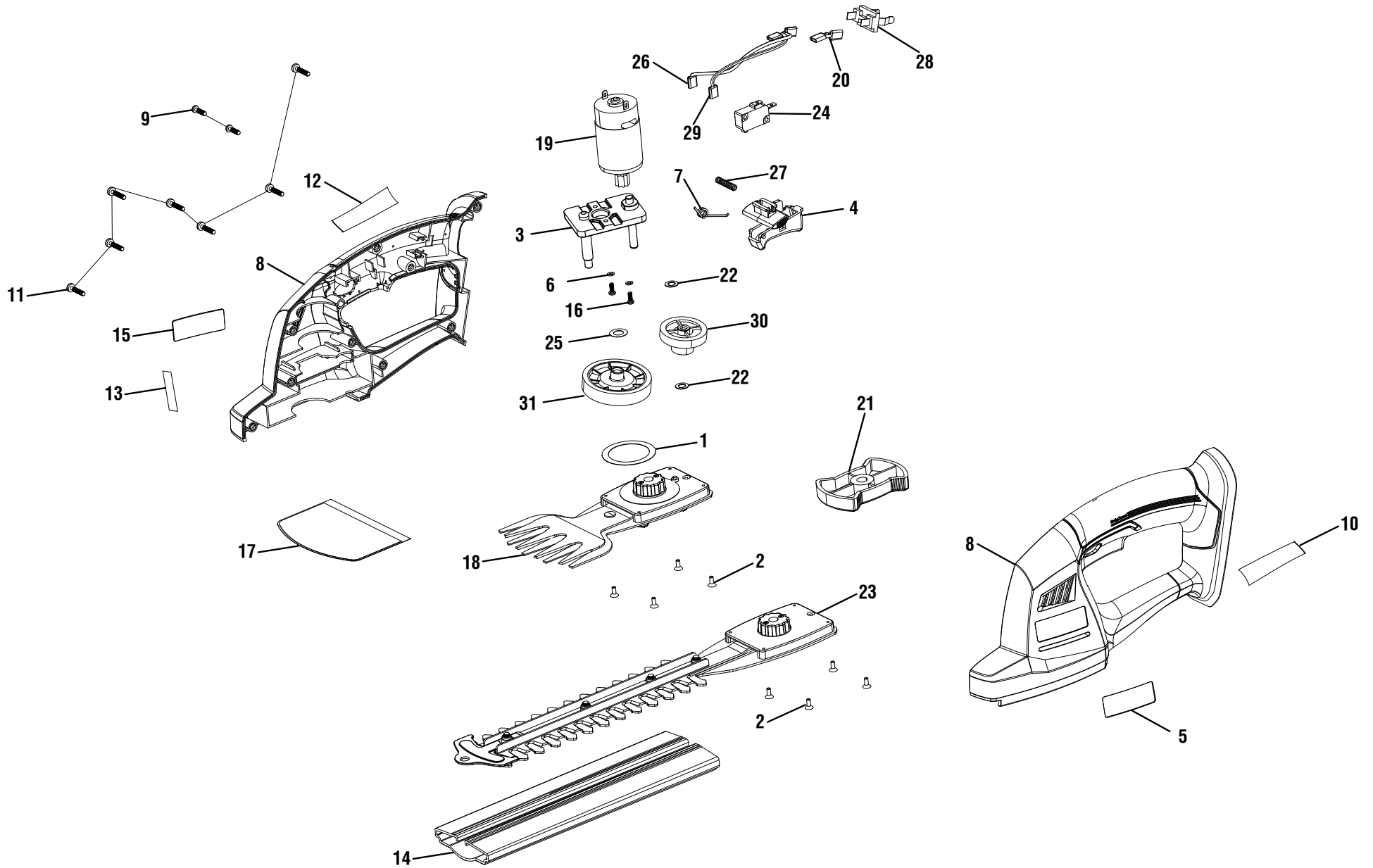


## TECHTRONIC INDUSTRIES POWER EQUIPMENT

P.O. Box 1288, Anderson, SC 29622 ■ 1-800-525-2579 ■ [www.ryobitools.com](http://www.ryobitools.com)

6-8-21 (Rev:04)

*The model number and manufacturing location will be found on a label attached to the product. Always mention this information in all communications regarding this product and when ordering parts.*





# P2900/P2900VNM

## PARTS LIST

KEY NO.	PART NO.	DESCRIPTION	QTY.
1	672729001	O-Ring	1
2	660204013	Screw (M3 x 8.5 mm, Flat Hd.)	8
3	302347001	Motor Mount Assembly	1
4	340193001	Trigger Assembly	1
5	940705299	Logo Label	1
6	670028003	Washer (OD5.7 x ID3.1 x 0.8t)	2
7	672752001	Torsion Spring	1
8	340197001	Housing Assembly (P2900)	1
	317229001	Housing Assembly (P2900VNM)	1
9	660206058	Screw (M3.5 x 12 mm, Pan Hd.)	2
10	940851076	Danger/Warning Label (Left, P2900)	1
	941657026	Danger Label (Left, P2900VNM)	1
11	660206059	Screw (M3.5 x 16 mm, Pan Hd.)	7
12	940851077	Warning Label (Right, P2900)	1
	941657029	Warning Label (Right, P2900VNM)	1
13	940851078	Icon Warning Label	1
14	516819003	Scabbard	1
15	941588098	Data Label (P2900)	1
	941588745	Data Label (P2900VNM)	1

KEY NO.	PART NO.	DESCRIPTION	QTY.
16	660086009	Screw (M3 x 8 mm)	2
17	900205004	Sheath	1
18	302348001	Grass Shear Blade Assembly	1
19	230172001	Motor and Pinion Assembly	1
20	770312009	Red Lead (75 mm)	1
21	302311001	Knob Assmebly	1
22	670914001	Washer (OD11 x ID6.5 x 0.3t)	2
23	302350003	Hedge Trimmer Blade Assembly	1
24	760689001	Switch	1
25	672728001	Washer (OD15 x ID8.4 x 0.3t)	1
26	770311164	Black Lead (150 mm)	1
27	670499001	Compression Spring	1
28	300001001	Contact Plate	1
29	770312177	Red Lead (150 mm)	1
30	516712001	Step Gear	1
31	516711001	Gear	1
	<b>Not Shown:</b>		
	991000628	Operator's Manual	