

2-Handle Standard Kitchen Faucet

MODEL	STORE SKU #	FINISH
67735-0001	1000054809	Chrome

FEATURES

- Requires 2-Hole Sink with 7 to 9" On-Center
- 1/2" IPS Connections
- Max Flow Rate: 1.8 gpm (6.8 L/min) at 60 psi
- Spout Reach: 10 11/16"
- Spout Height: 11 5/16"
- 1/4 Turn Ceramic Valve for Lifetime Drip-Free Operation
- With Zinc Lever Handle
- Exposed Aerator

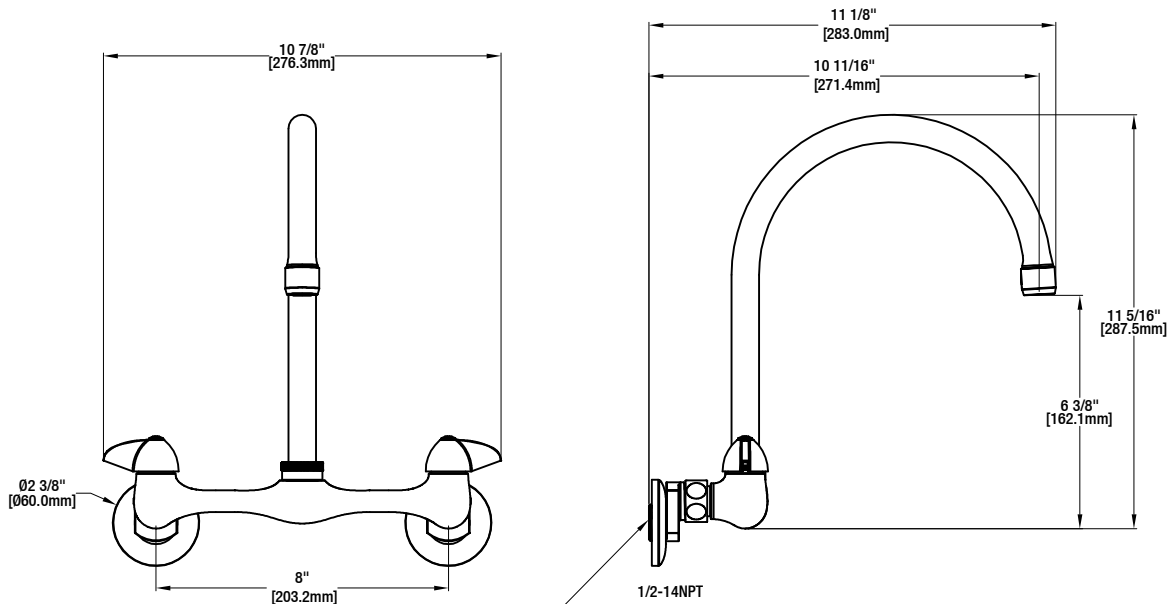
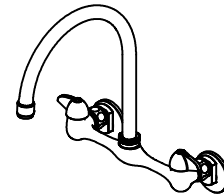
CODE COMPLIANCE

- IAPMO Certified: ASME A112.18.1/CSA B125.1
- Compliant to NSF/ANSI 61 Section 9
- Compliant to NSF/ANSI 372
- Calgreen Certified
- Meets AB 1953 Lead Standard



WARRANTY

- Limited Lifetime Warranty



INSTALLATION DIMENSIONS

Glacier Bay reserves the right to make changes in specifications and materials and to change and discontinue models, both without notice or obligation. Dimensions are for reference only.