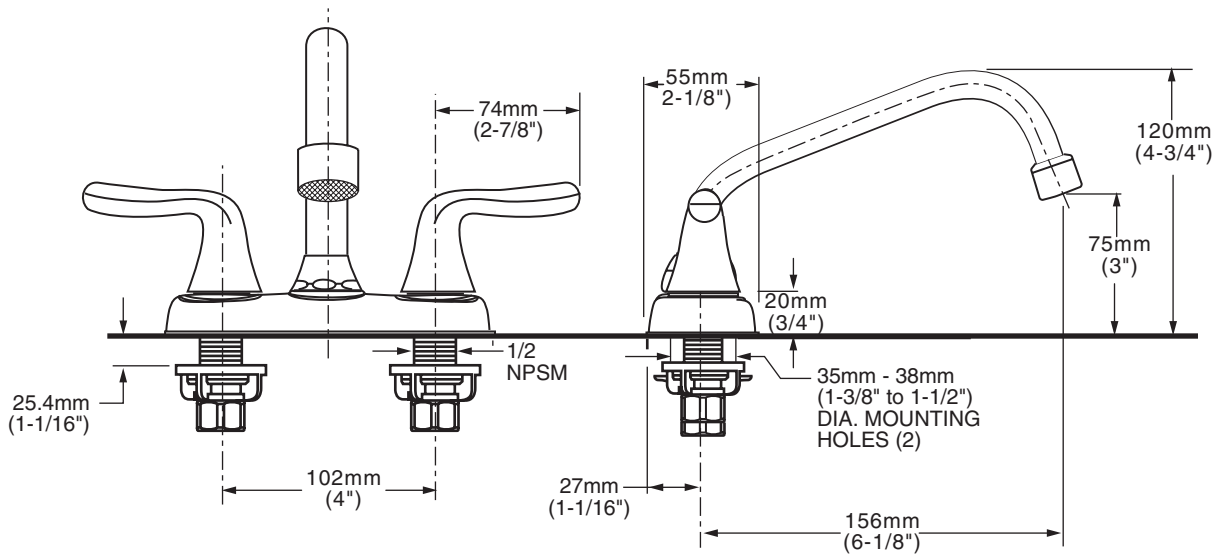


2475.550 Shown.

MODEL NUMBER:

- 2475.550 Centerset Laundry Sink Faucet**
Metal Lever handles. Aerator
- 2475.540 Centerset Laundry Sink Faucet**
Metal Lever handles. Hose end



GENERAL DESCRIPTION:

Durable brass construction. 1/4 turn washerless ceramic disc valve cartridges. One-half inch male inlet shanks with brass coupling nuts. Brass swivel spout. Available with hose end or aerator with 2.2gpm/8.3L/min. maximum flow rate.

PRODUCT FEATURES:

- Ceramic Disc Valve Cartridges:** Assures a lifetime of drip-free performance.
- Solid Brass Construction:** Durable. Ideal for prolonged contact with water.
- Low Lead:** Meets NSF Standard 61/Section 9 & Prop 65 lead requirements.
- Choice of Spout End:** Hose end or Aerator.

SUGGESTED SPECIFICATION:

Two-handle centerset laundry sink faucet shall be brass construction with brass inlet shanks and coupling nuts. Shall also feature 1/4 turn washerless ceramic disc valve cartridges. Fitting shall be American Standard Model # 2475.5__.

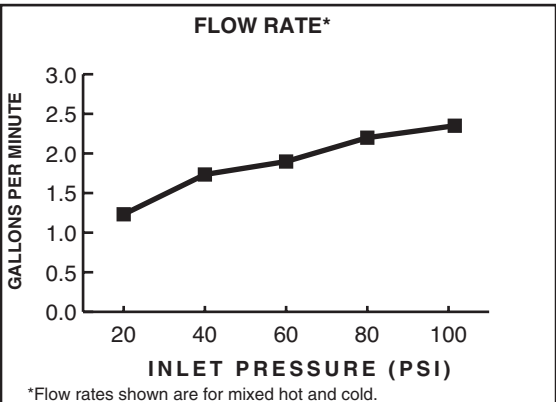


**COLONY SOFT
TWO-HANDLE LAUNDRY FAUCET
WITH BRASS SWING SPOUT**

CODES AND STANDARDS

These products meet or exceed the following codes and standards:

- ANSI A117.1**
- ASME A112.18.1**
- CSA B 125**
- NSF 61/Section 9**



Product Number	Description	Finish
		Polished Chrome 002
2475.540	Laundry Sink faucet. Metal lever handles. Hose end.	
2475.550	Laundry Sink faucet. Metal lever handles. Aerator.	

Meets the American Disabilities Act Guidelines and **ANSI A117.1** Requirements for the physically challenged.