

INSTALLATION GUIDE

4" DOWNLIGHT RETROFIT SQUARE

LR23001, LR23007, LR23009, LR24825, LR24826, LR24828, LR24829

CAUTION

RISK OF ELECTRIC SHOCK - Be sure that power supply is turned off at fuse box or circuit breaker before installing or servicing fixture. For your safety, read and understand instructions completely before beginning installation.

RISK OF FIRE - Supply conductors (power wires) connecting the fixture must be rated minimum 90°C/194°F. If uncertain, consult an electrician.

NOTE: This device complies with part 15 of the FCC Rules. Operation is subject to the following two conditions:

- This device may not cause harmful interference, and this device must accept any interference received, including interference that may cause undesired operation.

THE PRODUCT IS INTENDED TO BE USED IN DRY LOCATIONS ONLY.

THIS PRODUCT MUST BE INSTALLED IN ACCORDANCE WITH THE APPLICABLE INSTALLATION CODE BY A PERSON FAMILIAR WITH THE CONSTRUCTION AND OPERATION OF THE PRODUCT AND THE HAZARDS INVOLVED.

WARNING - RISK OF FIRE OR ELECTRIC SHOCK. The electrical rating of these products is 120VAC, the installer must determine whether they have 100-120VAC at the luminaire before installation.

WARNING - RISK OF FIRE OR ELECTRIC SHOCK. Install this kit only in the luminaires that have the construction features and dimensions shown in the photographs and/or drawings.

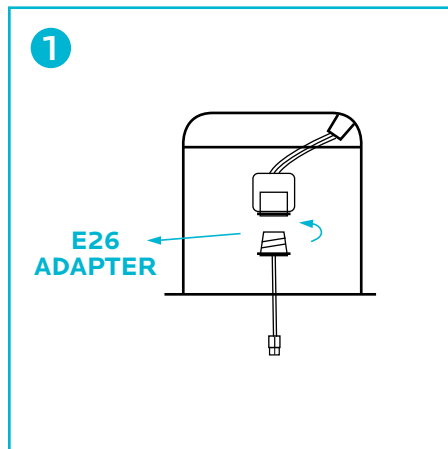
WARNING - To prevent wiring damage or abrasion, do not expose wiring to edges of sheet metal or other sharp objects.

DO NOT MAKE OR ALTER ANY OPEN HOLES IN AN ENCLOSURE OR WIRING OR ELECTRICAL COMPONENTS DURING KIT INSTALLATION.

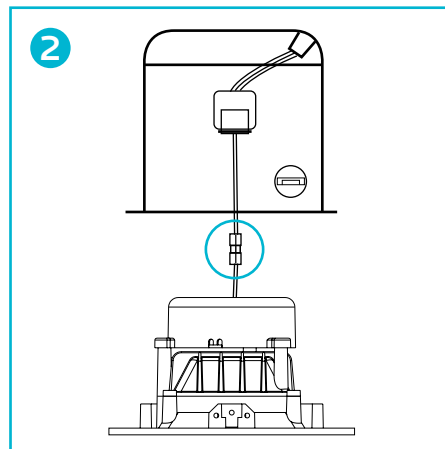
THIS DEVICE IS NOT INTENDED FOR USE WITH EMERGENCY EXITS.

INSTALLATION INSTRUCTIONS

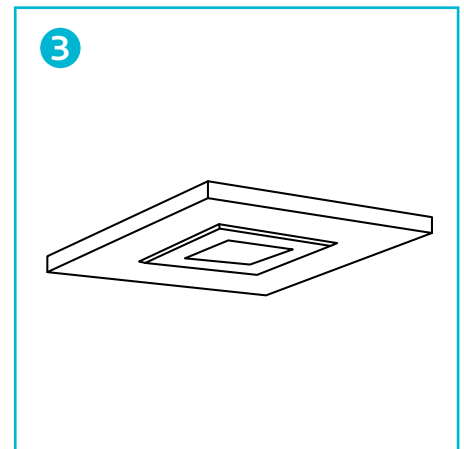
SHUT OFF POWER BEFORE INSTALLATION



STEP 1. TWIST ADAPTOR INTO SOCKET



STEP 2. INSERT MALE CONNECTOR INTO FEMALE CONNECTOR



STEP 3. INSERT TRIM INTO RECESSED CAN HOUSING