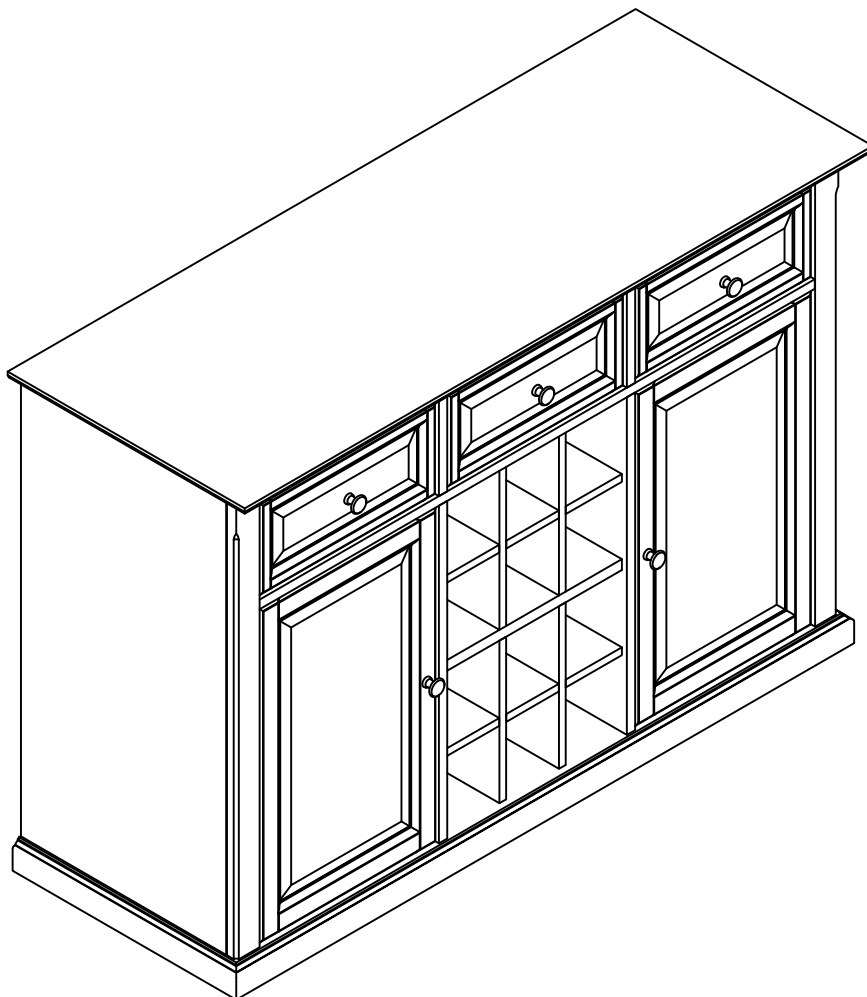




Wine Buffet Server Cabinet
CF4201





Congratulations! You have purchased a stylish piece of Crosley Furniture. We strive to provide fine furniture products, built with quality materials and hand finished details. Please carefully follow the assembly instructions to ensure your furniture is assembled correctly to provide long lasting enjoyment.

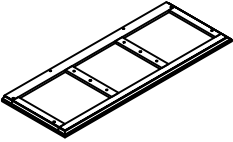
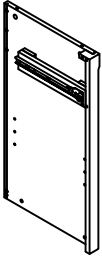
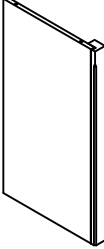
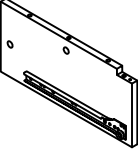
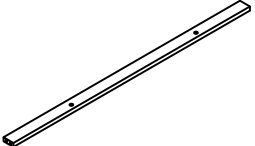
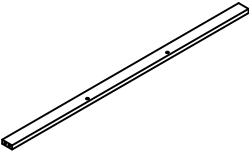
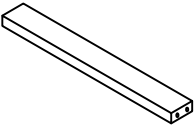
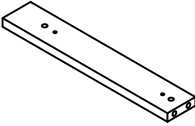
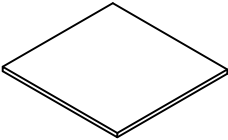
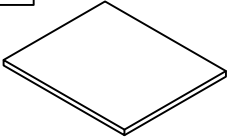
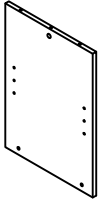
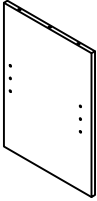
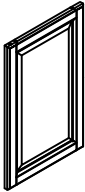
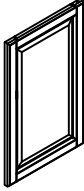
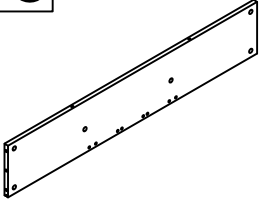

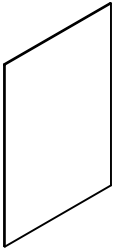
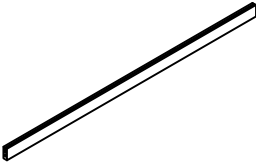
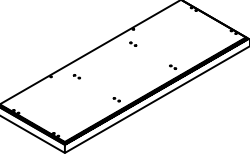
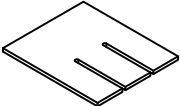
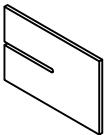
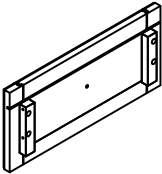
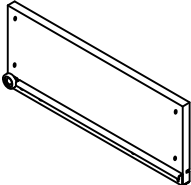
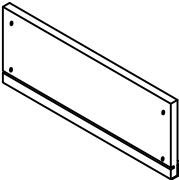
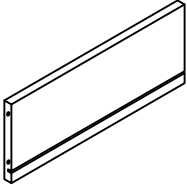
Crosley Furniture Products are warranted against defects in material and workmanship for a period of 90 days beginning from the date of sale.

Should you experience any damaged, defective, or missing parts, or need help with assembly, please call us directly before contacting the retailer.

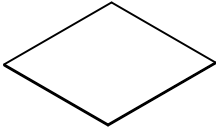
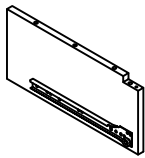


Our customer service agents are available 8 AM to 8 PM (EST) Monday through Friday at **800-815-4796** or for support online, visit our "Contact Us" page at www.CrosleyFurniture.com

Care: Use a soft clean cloth that will not scratch the surface when dusting. Use of furniture polish is not necessary. Should you choose to use polishes, test in an inconspicuous area first. Use of solvents of any kind may damage your furniture's finish. TO clean, simply use a soft clean cloth moistened with lukewarm water, then buff with a dry soft clean cloth.

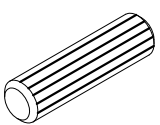
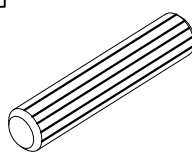
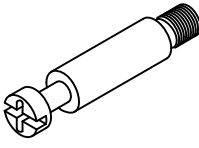
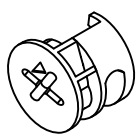


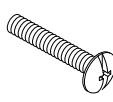
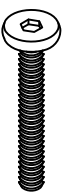
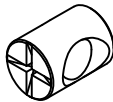

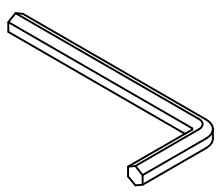
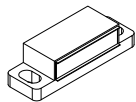
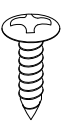

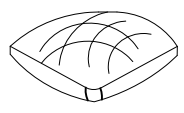
PART LIST

A 	B 	C 	D 	E 
1 PC	1 PC	1 PC	1 PC	1 PC
F 	G 	H 	I 	J 
1 PC	2 PCS	2 PCS	2 PCS	1 PC
K 	L 	M 	N 	O 
1 PC	1 PC	1 PC	1 PC	1 PC
P 	Q 	R 	S 	T 
2 PCS	3 PCS	1 PC	1 PC	2 PCS
U 	V 	W 	X 	Y 
4 PCS	3 PCS	3 PCS	3 PCS	3 PCS

PART LIST

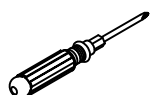
Z 	ZA 	ZB 	ZC  For use only with Bun Foot
3 PCS	1 PC	2 PCS	2 PCS

HARDWARE LIST

1 	2 	3 	4 	5 
WOOD DOWEL 50 PCS	LONG WOOD DOWEL 8*50mm 4 PCS	CAM BOLT 20 PCS	CAM LOCK 20 PCS	SCREW 24 PCS
6 	7 	8 	9 	10 
KNOB 5 PCS	ROUND HEAD BOLT 5 PCS	HEX SOCKET HEAD BOLT 8 PCS	BARREL NUT 8 PCS	SHELF HOLDER 12 PCS
11 	12 	13 	14  1-1/4"*Ø4*D8	16 
ALLEN KEY 1 PC	DOOR CATCH 2 PCS	ROUND HEAD SCREW 4 PCS	LONG SCREW 8 PCS	SAFETY STRAP KIT 1 PC

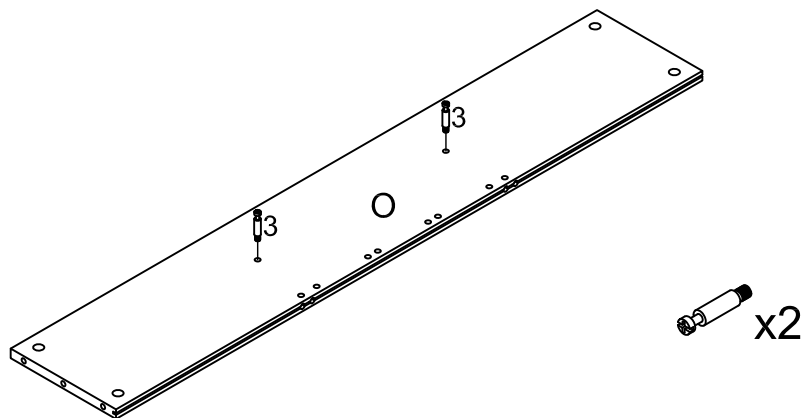
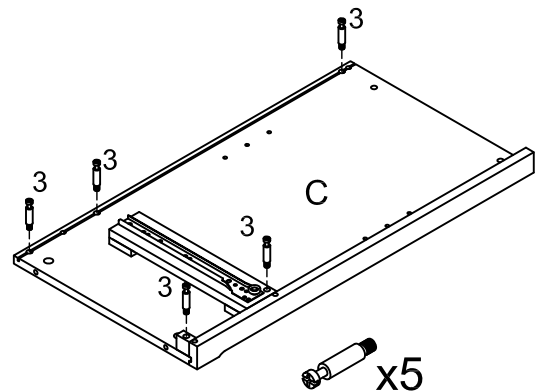
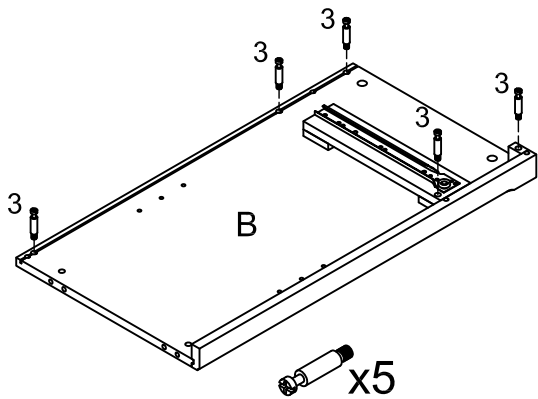
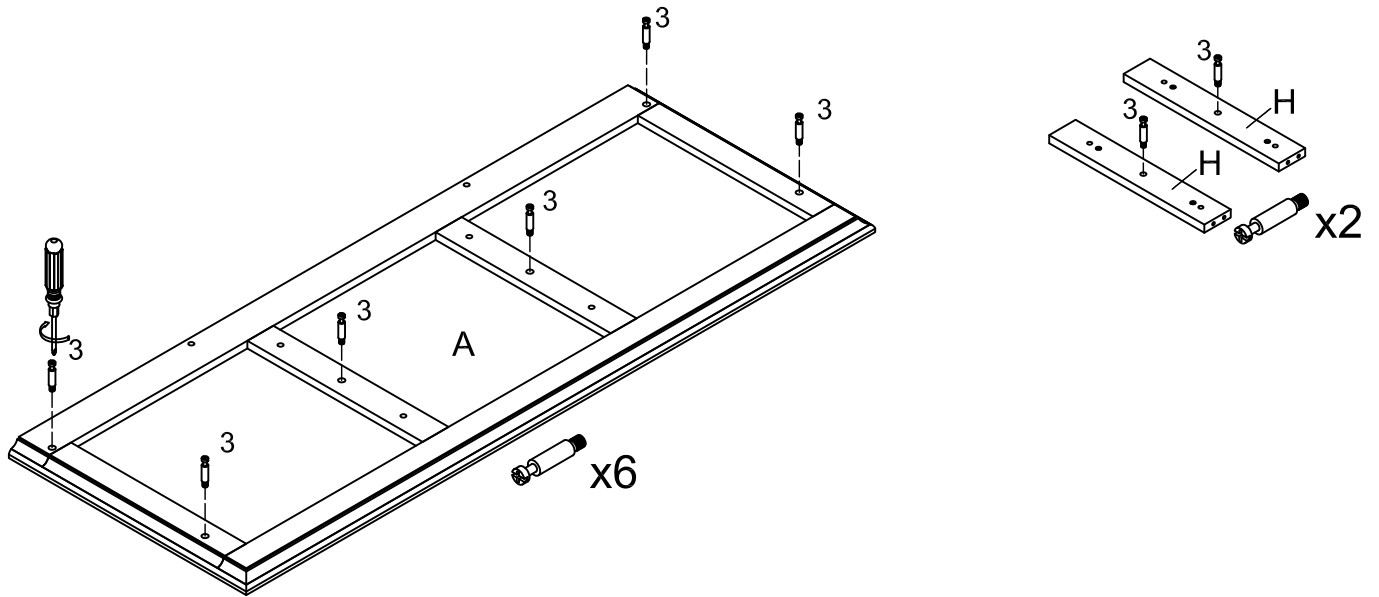
ADDITIONAL TOOLS (Not Provided)

Note: It is not recommended to use power tools during assembly. However a screw gun can assist with mounting.

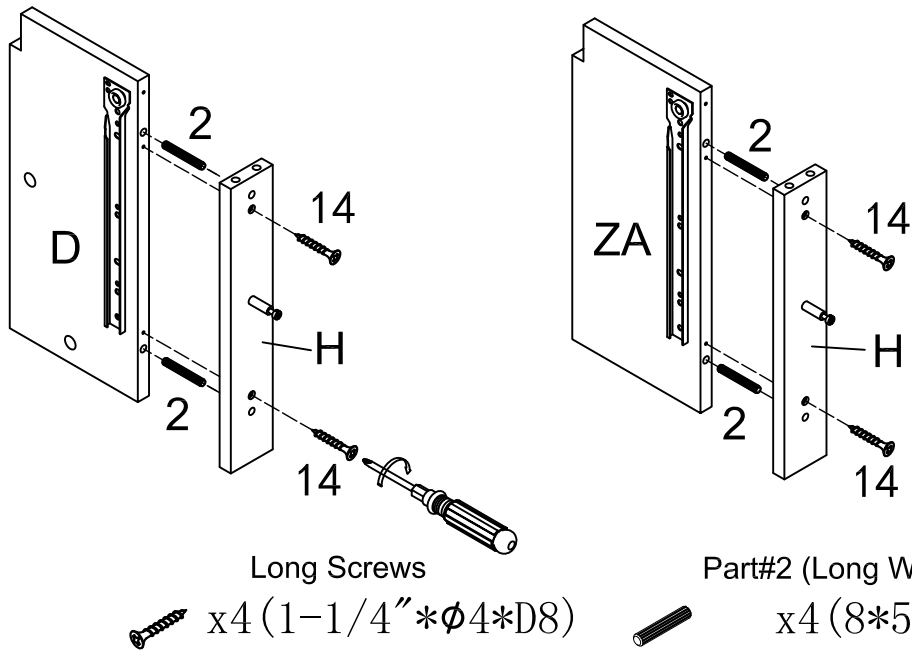
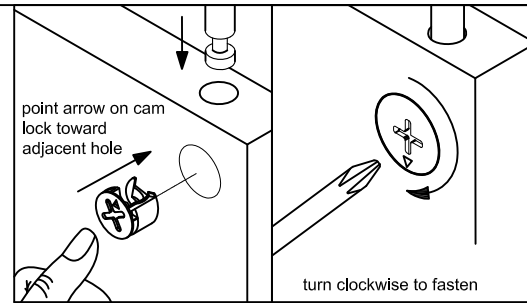


Phillips Head Screw Driver

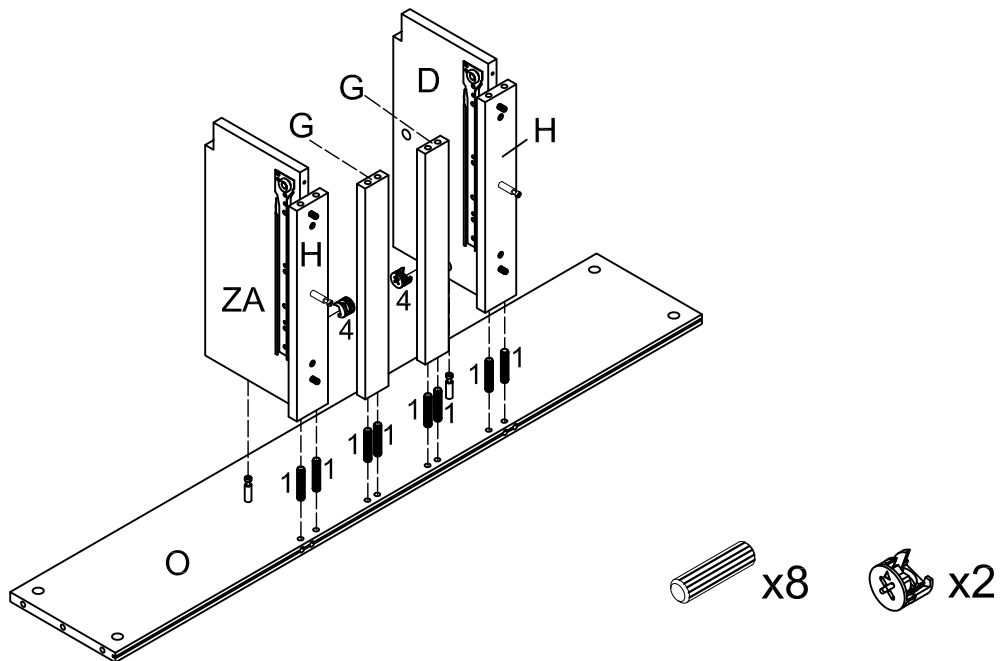
Step 1. Insert Cam Bolts(Part#3)into pre-drilled holes of Part s A,B,C,H(x2) & Part O with a Phillips Head screw driver as shown. Do not overtighten.



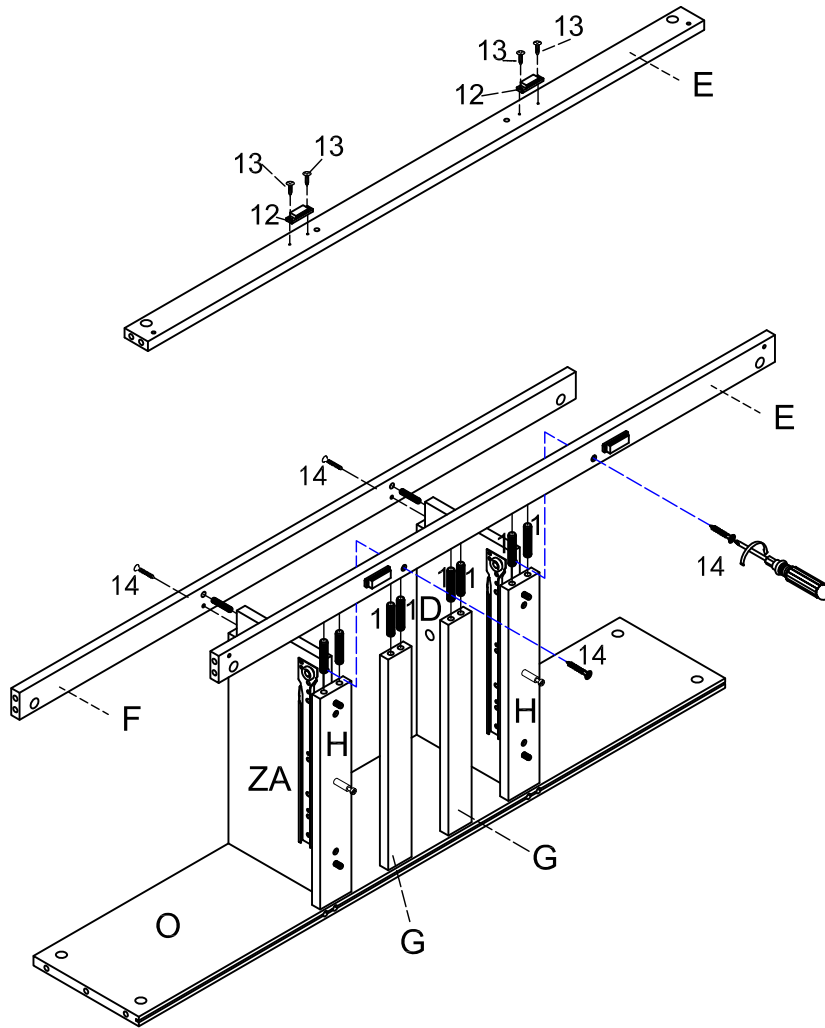
Step 2. Insert Long Wood Dowels (Part#2) into Parts D & ZA as shown. Attach Parts H to to Part D & Part ZA with Screws (Part#14) as shown.
 Note: Long Wood Dowel (Part#2) will pass completely through Part H.




Step 3. Lay Part O flat on floor as shown. Insert Wood Dowels (Part#1) into Part O. Attach Part D & ZA to Part O. Attach Part D & ZA to Part O with Cam Locks (Part #4) as shown. Insert Parts G.

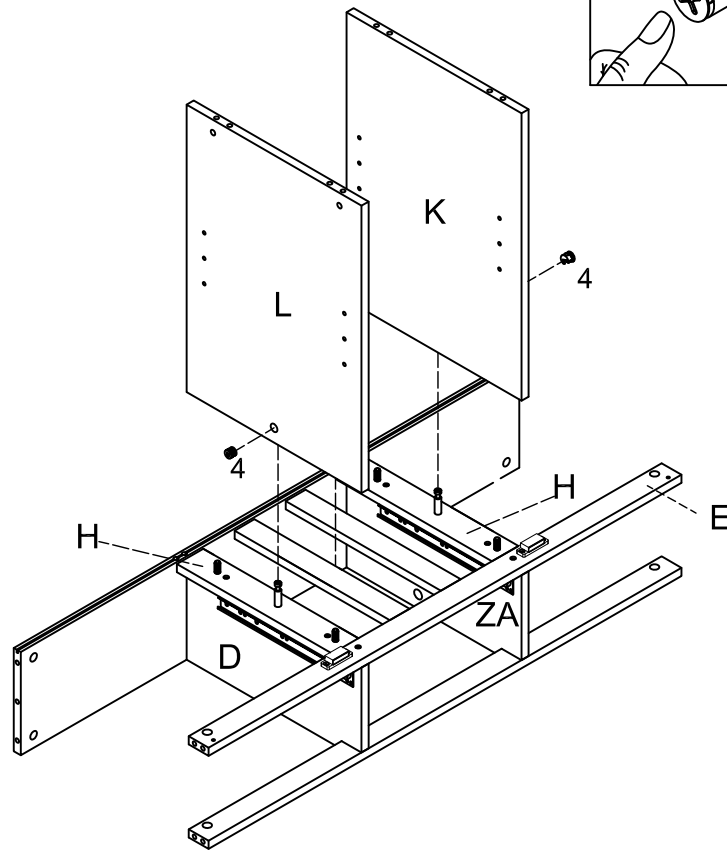
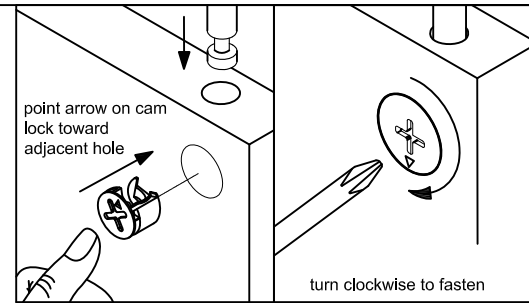


Step 4. Attach Door Catches (Part #12) to Rail E with Round Head Screws (Part #13) as shown. Insert Wood Dowels (Part #1) into Parts H,G,D & ZA as shown. Set Rails E into place on Rails G & H with Wood Dowels (Part #1) as shown. Secure Rail E to Parts ZA & D using Screws(Part #14) as shown. Attach Rail F to Parts ZA & D using Wood Dowels (Part #1) & Screw (Part #14) as shown.
 NOTE: BE SURE THAT SCREWS ARE ALIGNED PROPERLY WITH PRE-DRILLED HOLES IN PARTS D & ZA BEFORE THGHTENNING.

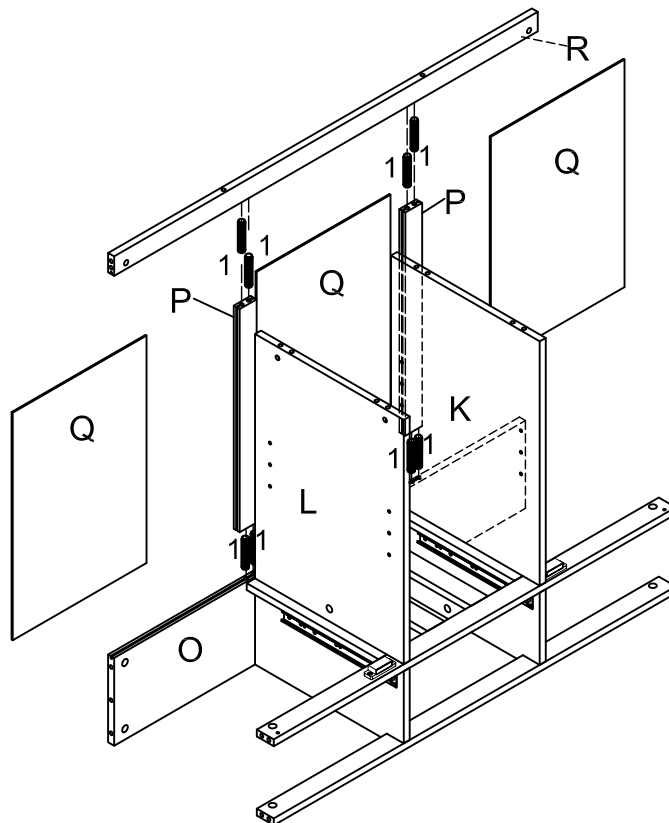


-  x4
-  x2
-  x10
-  x4 (1-1/4")

Step 5. Attach Panels L&K to Rails H using Cam Locks (Part #4) as shown.

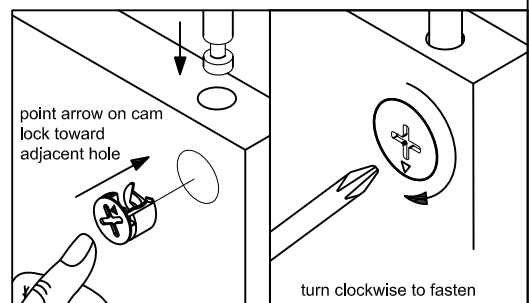
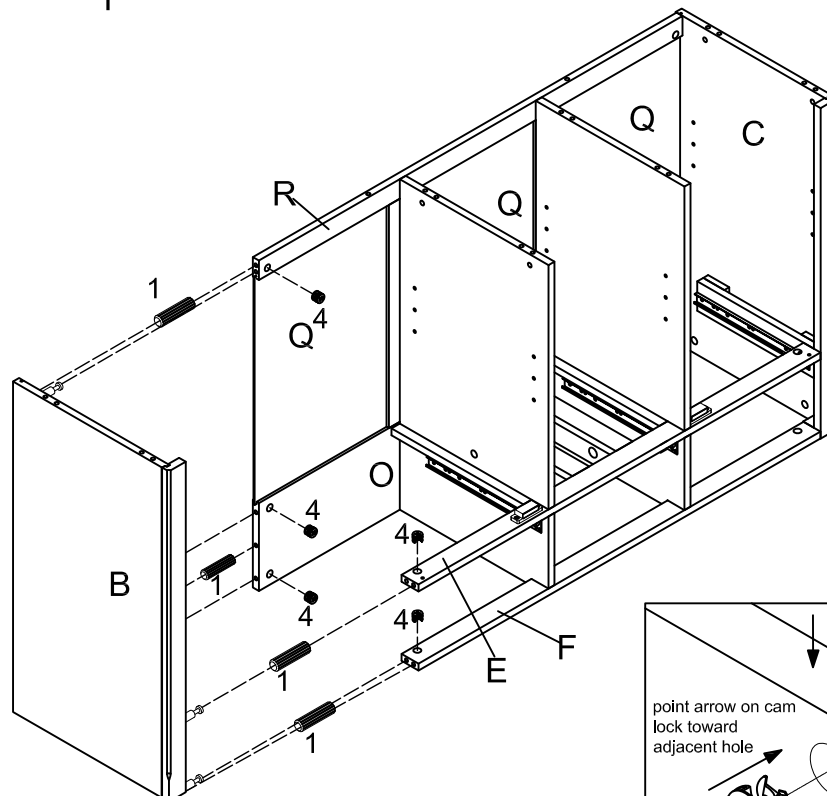
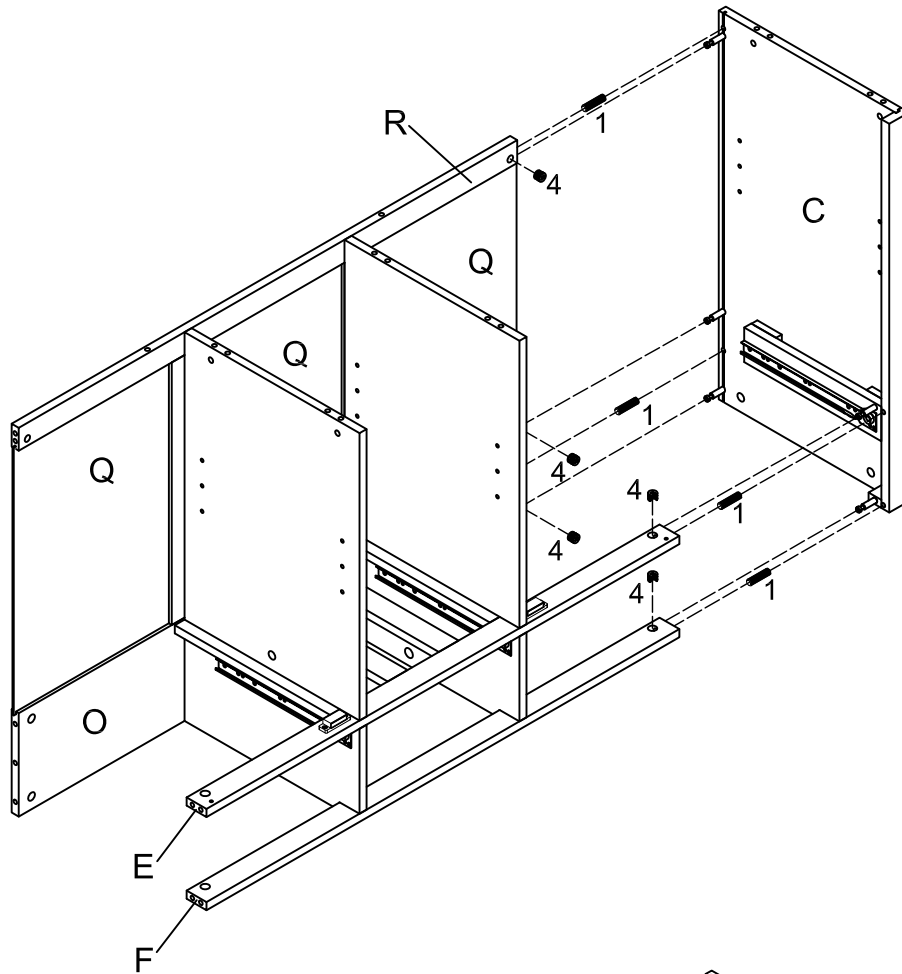
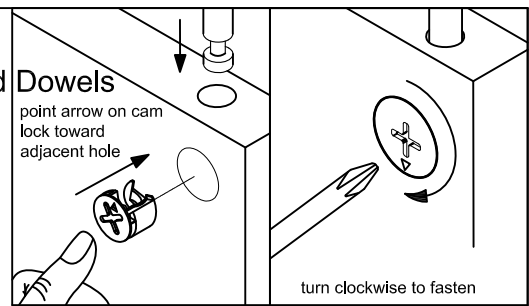


Step 6. Set Rails P into place on Part O using Wood Dowels (Part #1) as shown. Insert Panels Q into the grooves of Parts O & P. Set Rail R onto Rails P & Panels Q with Wood Dowels (Part #1) as shown.

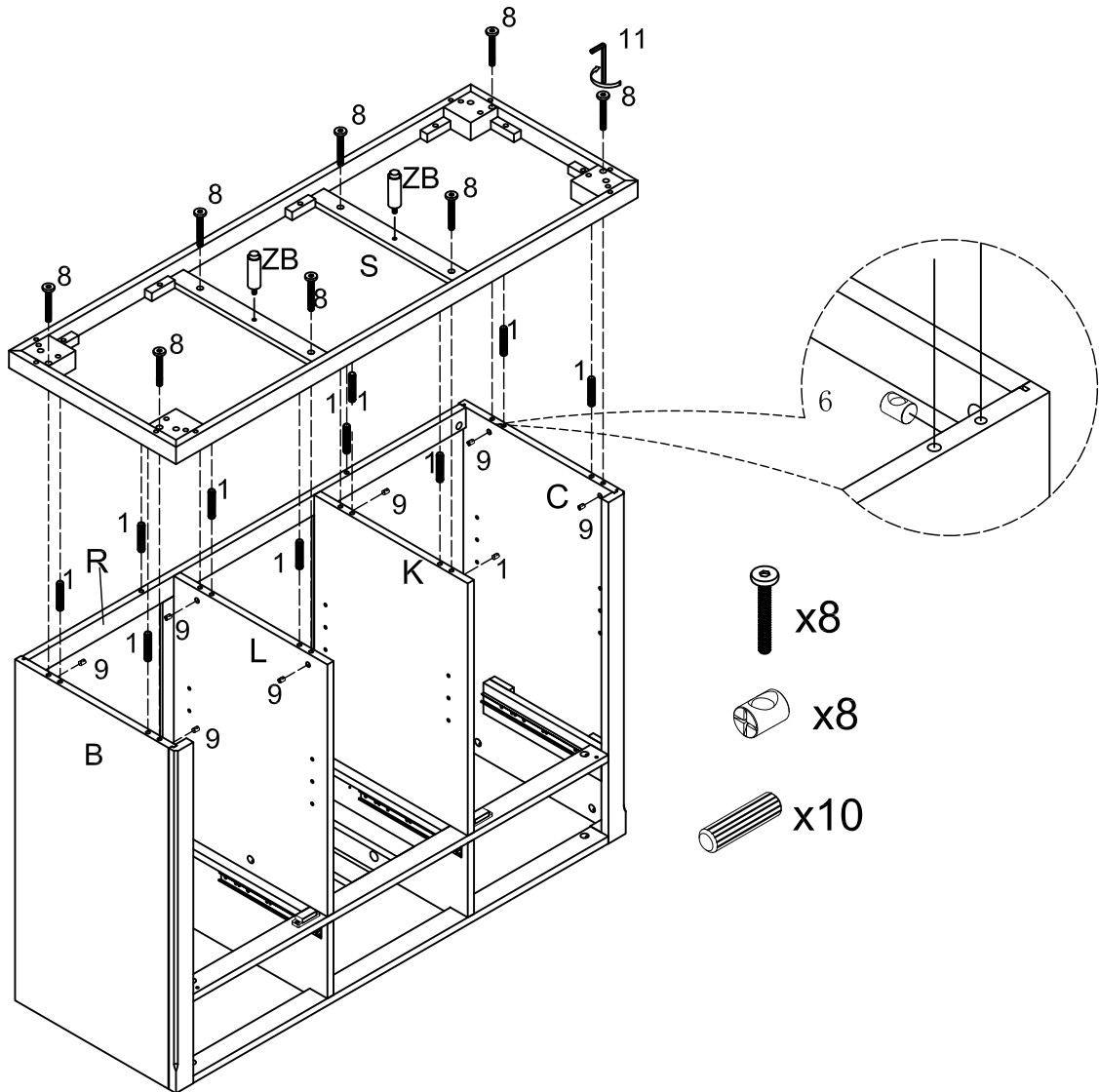
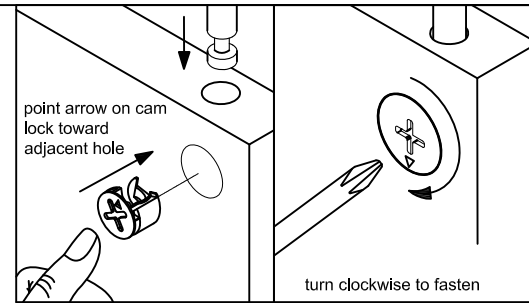



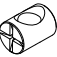

Step 7.

Attach Side Panel C to Parts E, F, O & R with Wood Dowels (Part #1) & Cam Locks as shown. Repeat this step to attach Side Panel B.

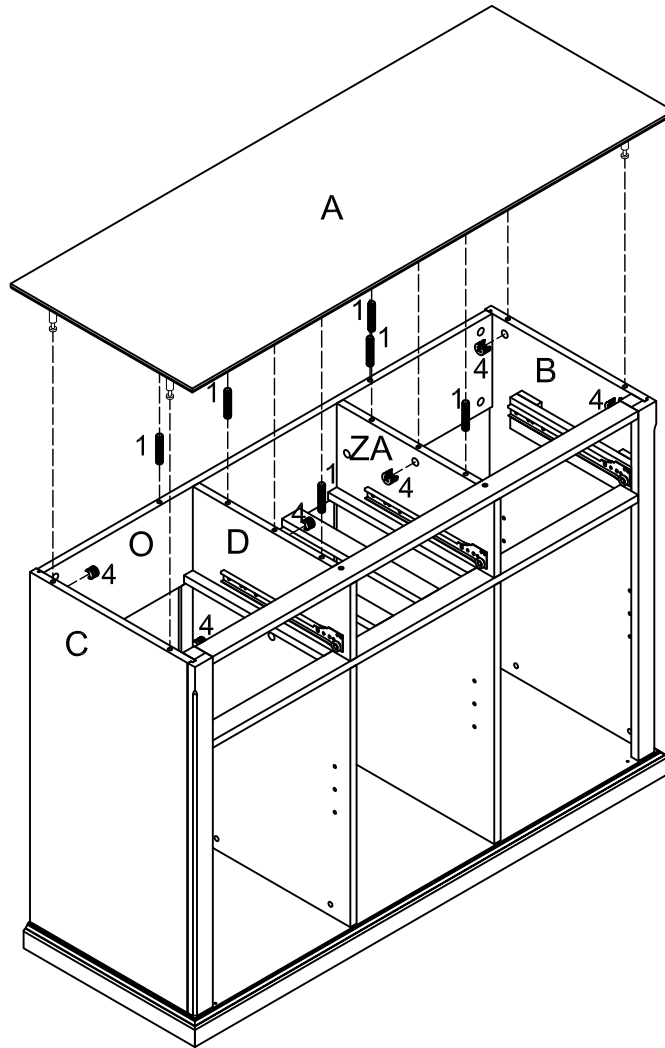
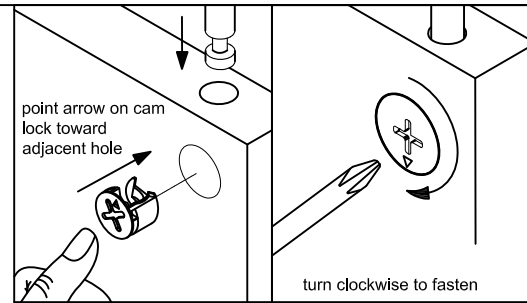


Step 8. Attach Base S to cabinet using Wood Dowels (Part #1), Hex Socket Head Bolts (Part #8), & Barrel Nuts (Part #9) as shown. **Now attach legs using Hex Socket Head Bolts & Wood Dowels (as shown in instruction manual included in carton with legs).** Attach 2 Support Leg ZB or ZC under the Bottom Panel S. **Support Leg ZC is for use only with Bun Foot. All other Legs styles will use support leg ZB.** Carefully turn cabinet over so that legs are on the floor.



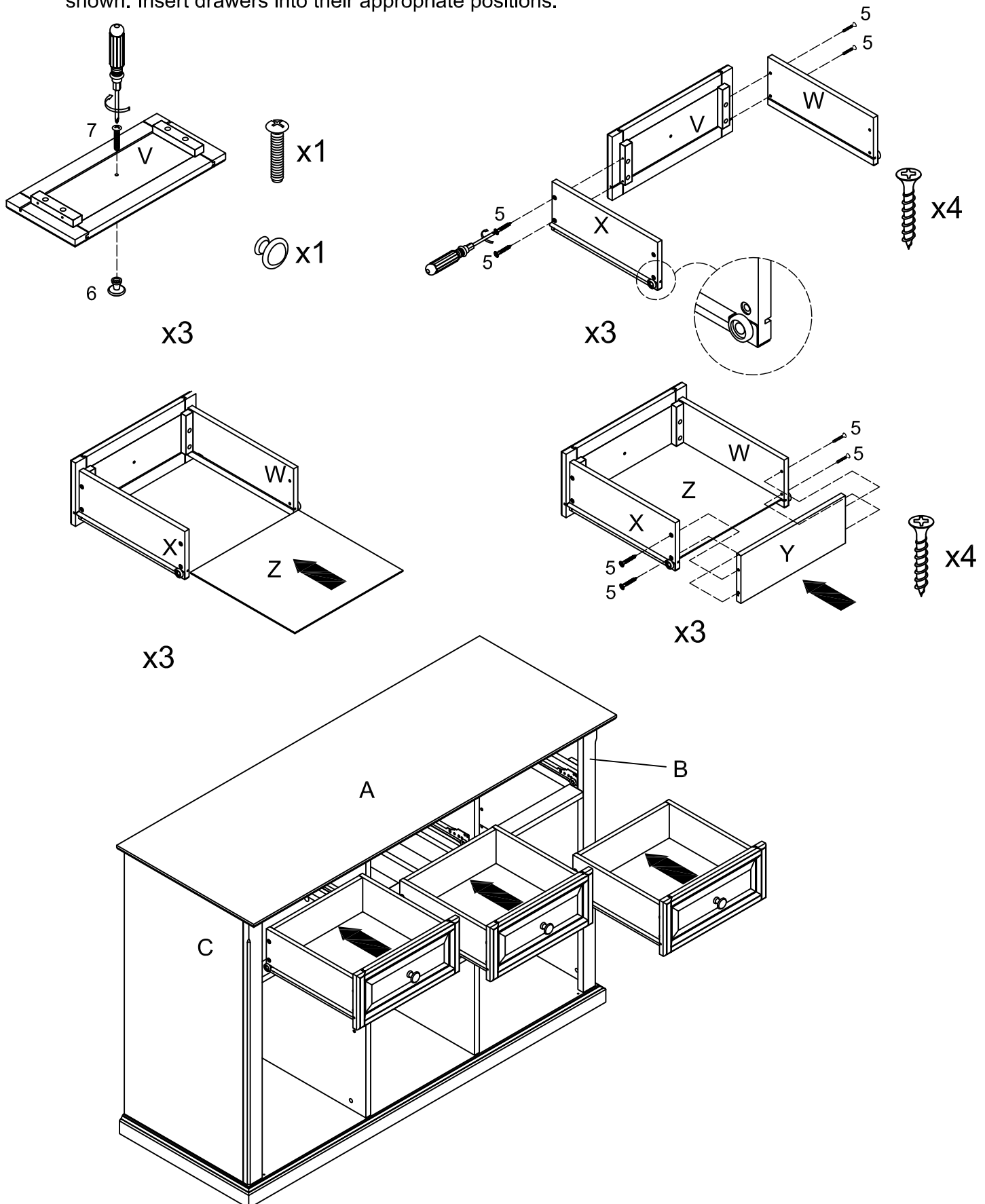
-  x8
-  x8
-  x10

Step 9. Attach Top A to cabinet using Wood Dowels & Cam Locks as shown.

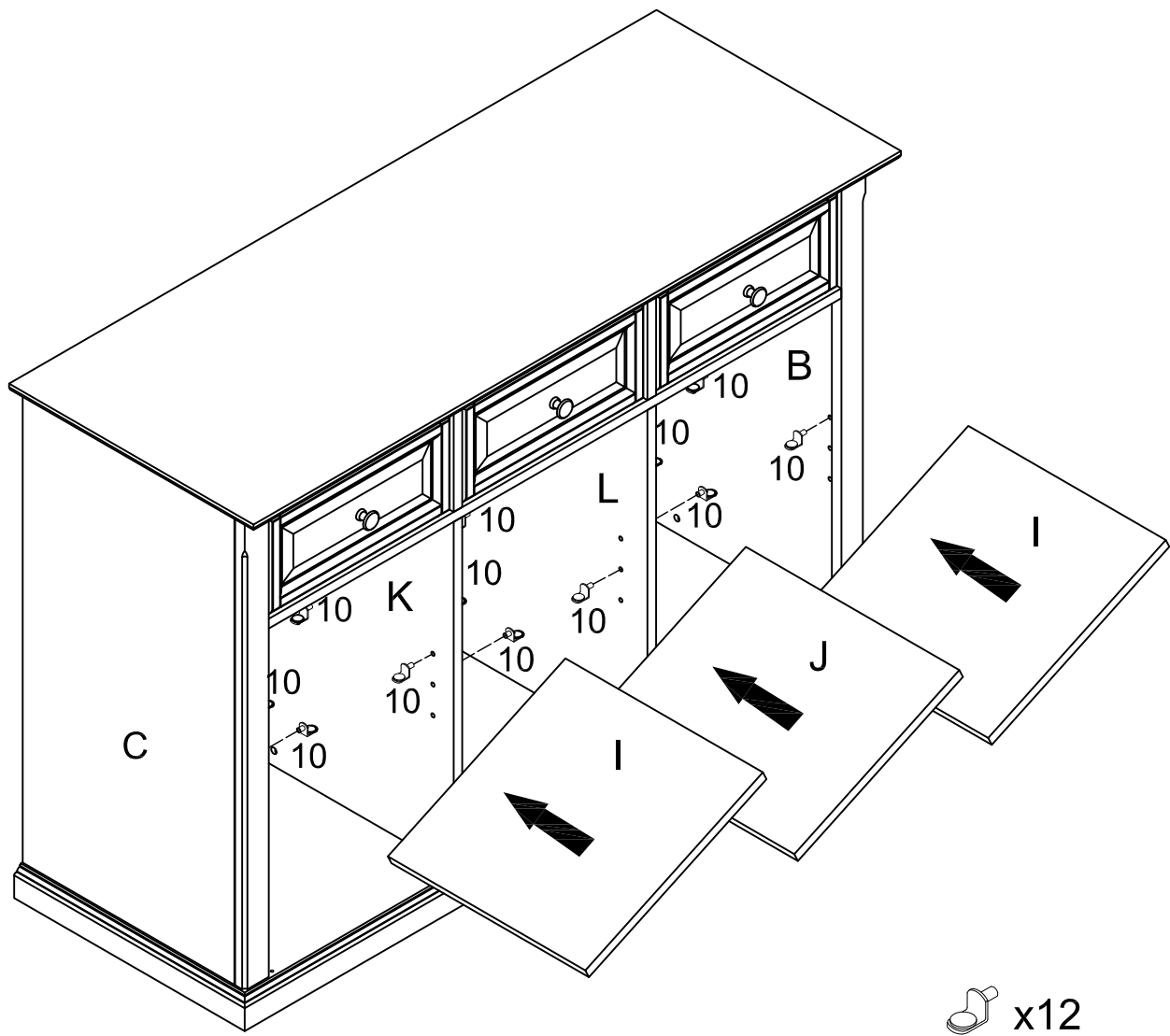


Step 10.

Attach Drawer Front V to Drawer Sides W & X with Screws (Part #5) using Phillips Head screwdriver as shown. **NOTE: BE SURE THAT WHEELS ON DRAWER GLIDES ARE FACING OUTWARD, AND ARE AT THE OPPOSITE SIDE OF THE DRAWER FRONT.** Slide Bottom Panel Z into grooves of Parts W & X as shown. Attach Back Panel Y to Side Panels W & X with Screws (Part #5) using Phillips Head screwdriver as shown. Repeat this step for the other two drawers. Attach Hardware Knobs (Part #6) to Drawer Fronts V with Round Head Bolt (Part #7) as shown. Insert drawers into their appropriate positions.



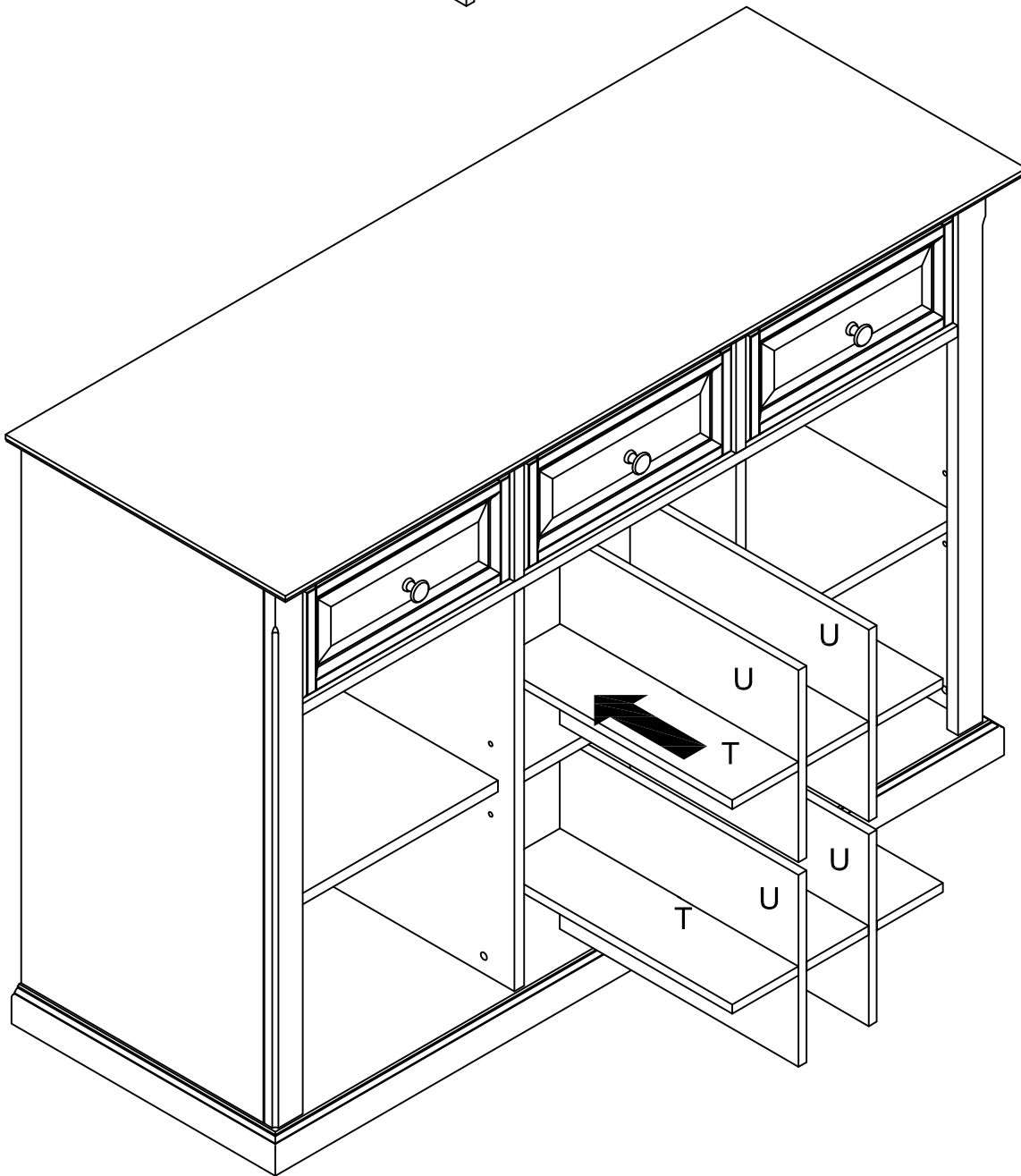
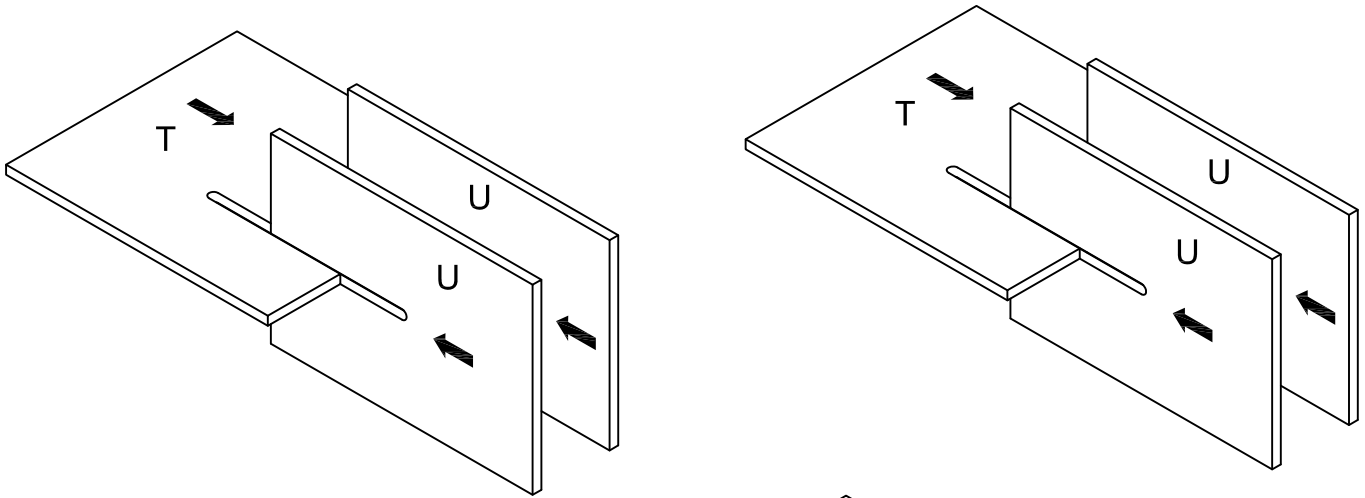
Step 11. Insert Shelf Holders (Part #10) into desired positions. Insert Shelves I & Shelf J into desired position. **NOTE: IF YOU INTEND TO USE THE WINE STORAGE GRIDS, SHELF J MUST BE PLACED IN THE CENTER HOLE POSITIONS TO FIT CORRECTLY.**



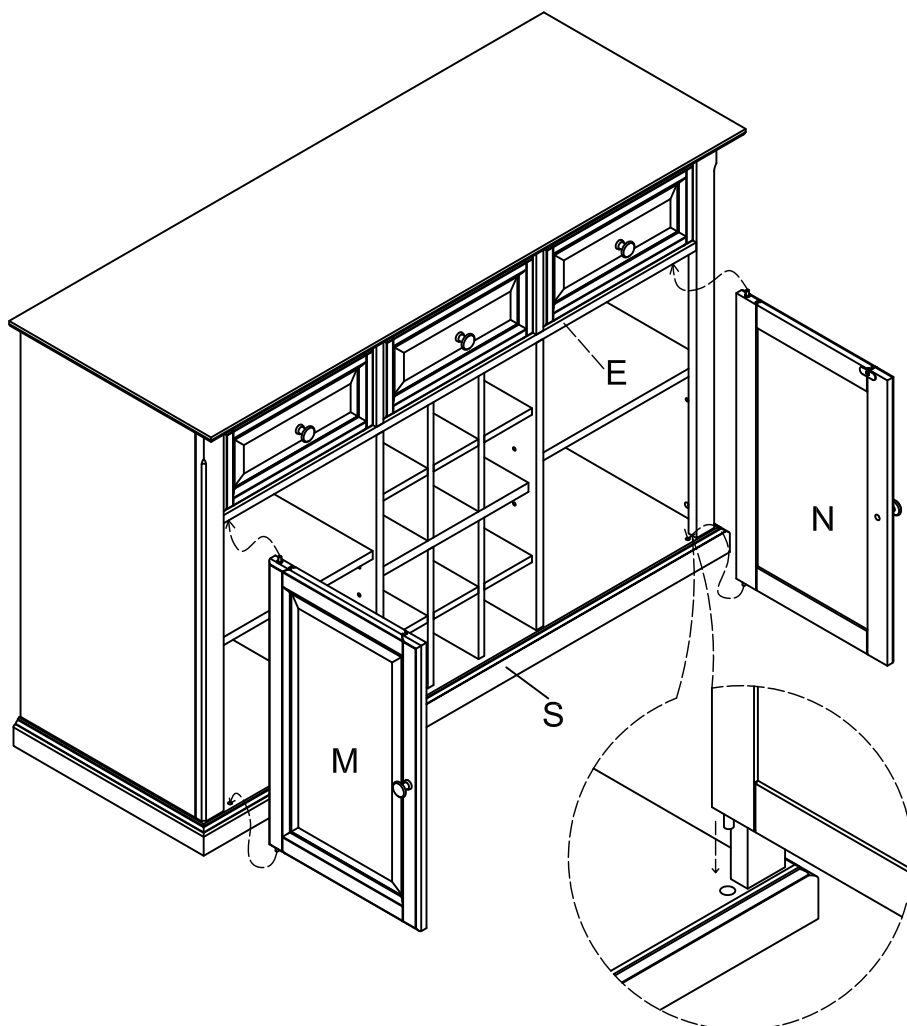
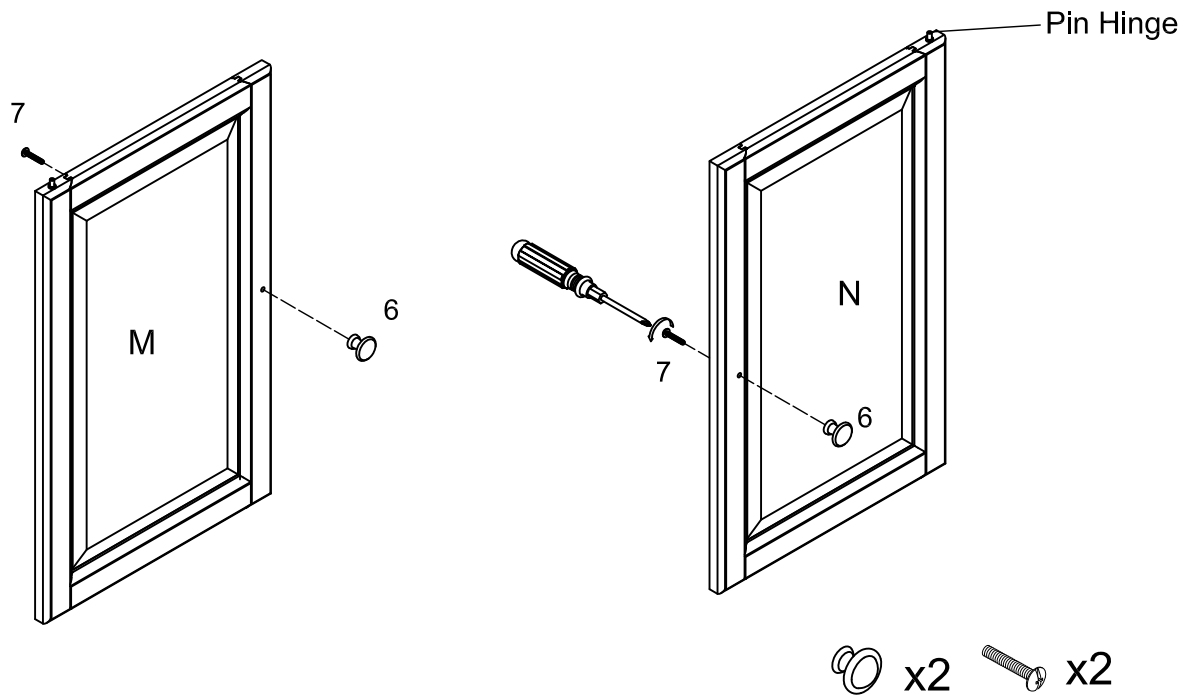
Step 12.

Slide Parts U & Part T together as shown. Repeat this step for other Wine storage grid.

Making sure that Shelf J is placed in the center hole position, carefully insert the wine storage grids into place in the center portion of the cabinet.



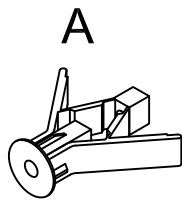
Step 13. Attach Hardware Knobs (Part #6) to the doors with Round Head Bolts (Part #7) using Phillips Head screwdriver as shown. Attach doors to cabinet by placing bottom Pin Hinge into pre-drilled holes in Base S & depressing top spring loaded Pin Hinge to fit door into place in Rail E.
Note: Be sure Pin Hinges (top & bottom) have fully extended into the pre-drilled holes in Base S and Rail E to secure doors into place.



16



SAFETY STRAP KIT
1 PC



WALL ANCHOR
Ax1 PC

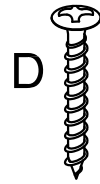


WASHER
Bx2PCS



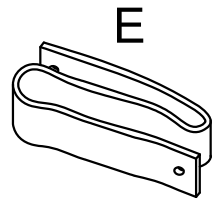
D8*3/4"

SHORT SCREW
Cx1PC



D8*1-1/2"

LONG SCREW
Dx1PC



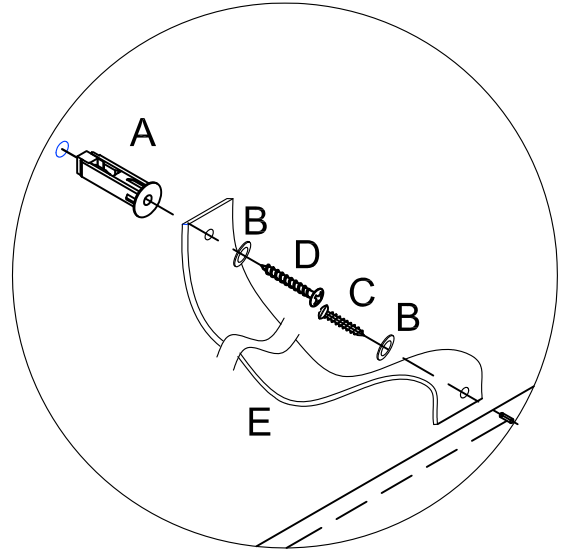
SAFETY WALL STRAP
Ex1PC

SAFETY WALL STRAP ASSEMBLY INSTRUCTION

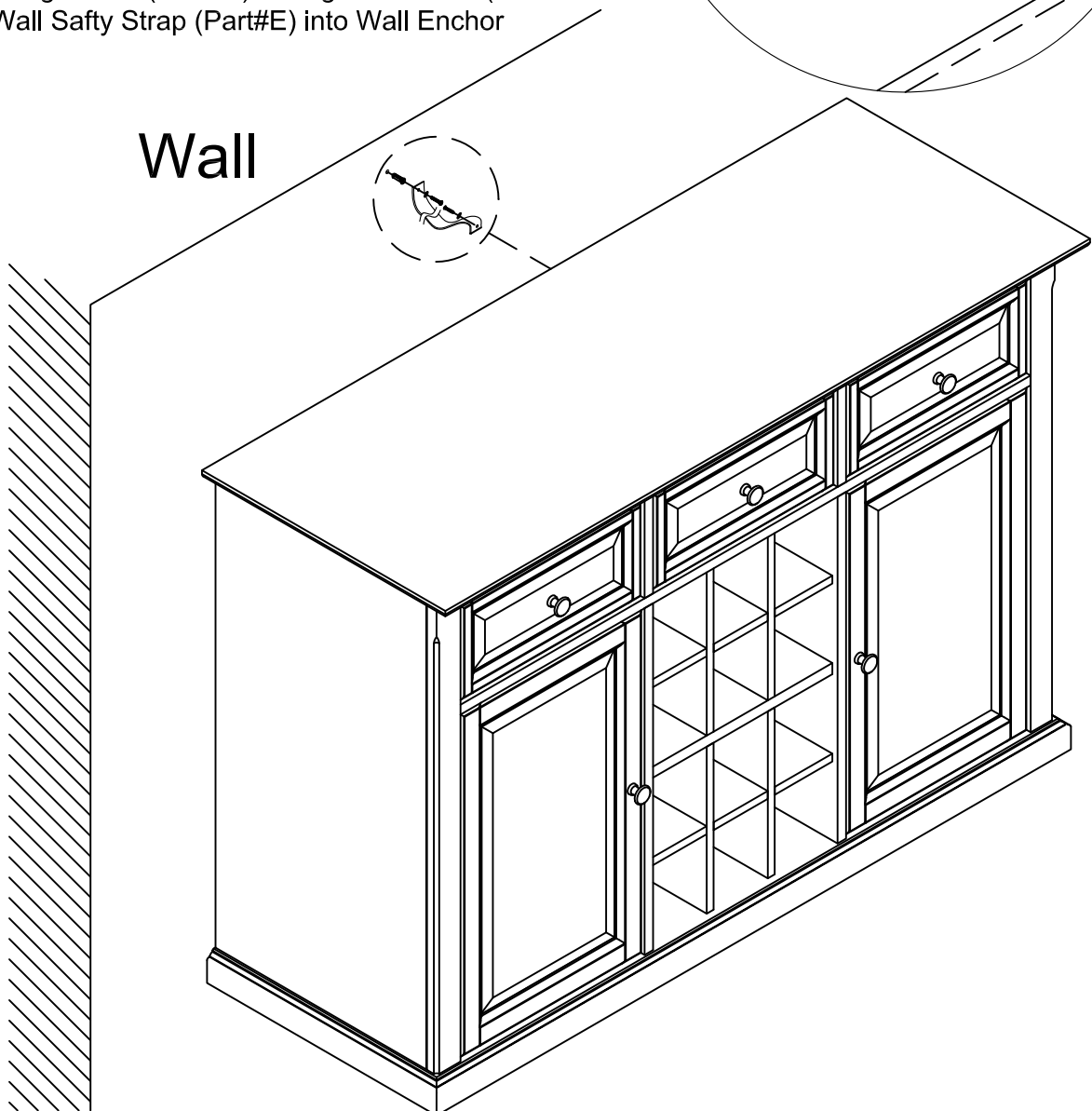
1) Insert Short Screw (Part#C) through Washer (Part#B) and Safty Wall Strarp (Part#E) and screw it into Parts A.

2) Drill a 9mm hole at a point where you want to secruue/attach your Kitchen Cart. Make sure that the height of the hole being drilled into the wall is equal to the height of the hole in part A. Tap Wall Anchor (Part #A) into the hole.

3) Insert Long Screw (Part#D) through a Washer (Part #B) and Wall Safty Strap (Part#E) into Wall Enchor (Part#A).



Wall





Limited Manufacturers Warranty

Crosley Furniture Products are warranted against defects in material and workmanship for a period of 90 days beginning from the date of sale.

Should you experience any damaged, defective, or missing parts, or need help with assembly, please call us directly before contacting the retailer.

Our customer service agents are available 8 AM to 8 PM (EST) Monday through Friday at **800-815-4796** or for support online, visit our "Contact Us" page at www.CrosleyFurniture.com

This warranty gives the purchaser specified legal rights in addition to any rights which may vary from state to state. In accordance with the "Moss-Magnuson Warranty Act" of July 10th, 1975, this is termed a "limited warranty" which in no way compromises Crosley Furniture's high standards of Quality and Workmanship.