

GAMA SONIC[®]

SOLAR LIGHTING



Instruction Manual

Aria Solar Wall Light

Part #: 66B50010

US Patent #9458970

Version 1.1

 Please read the instruction manual carefully to obtain the best results from your purchase.

Thank you for your purchase! GAMA SONIC® solar charged lights are brighter and last all night with a typical solar charge. Unique design, superior light output and numerous installation options confirm the outstanding value of our product. GAMA SONIC® has been recognized as a worldwide leader in the lighting industry for over 20 years.

Technical Assistance/Warranty Claims/Replacement Parts
Toll Free Number: +1-800-835-4113 (only within the US) or www.gamasonic.com

Visit our website or download the latest version of your instruction manual:
www.gamasonic.com or www.gamasonic.com/user-guides

Gama Sonic's Bulb Technology

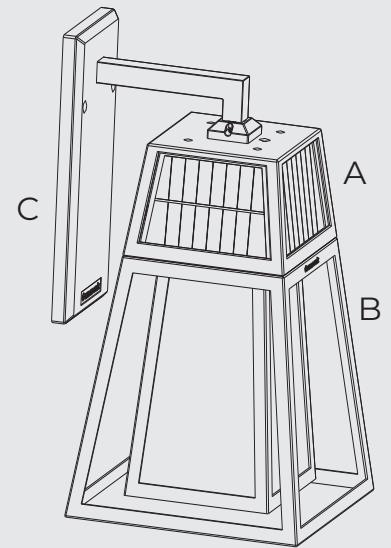
Gama Sonic's patented Bulb technology gives your solar lamp the look and feel of a traditional incandescent lamp. This helps to distribute light further than traditional solar lamps.

Solar Lamp Location

For optimum light duration throughout the night, it is very important to mount your solar lamp in a spot where it will receive the maximum amount of direct sunlight throughout the day.

What's in the Box

A = Top
B = Fixture
C = Wall bracket

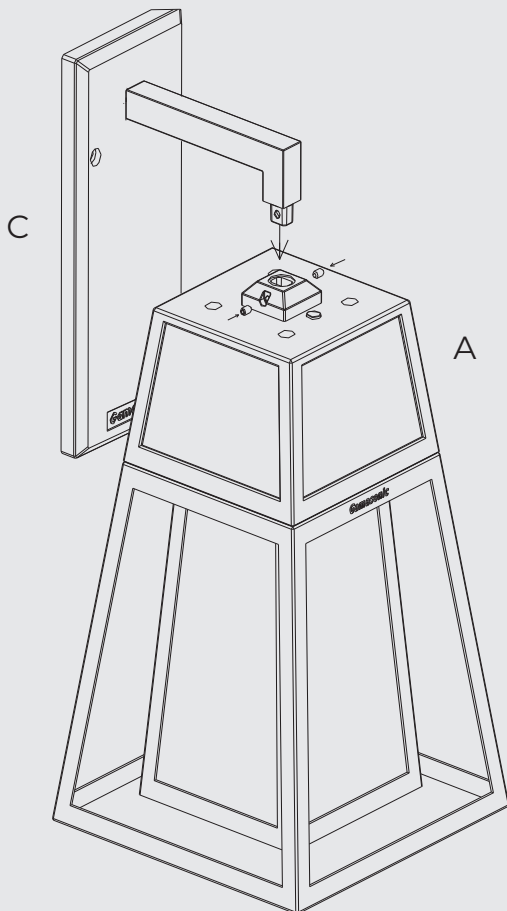


For best results, the solar light must be charged in the "ON" position (High or Low) for at least 2 days of full direct sunlight.

Assembly Instructions

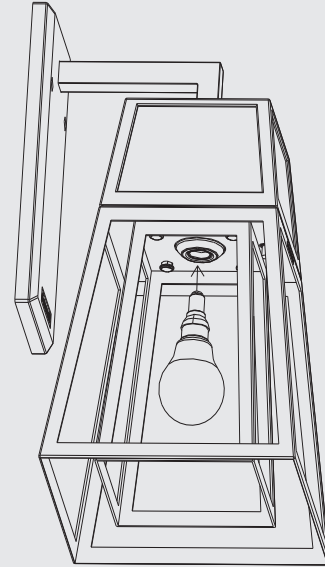
- Using the wall bracket (C) as a template, mark where the two holes will need to be.
- Using an electric drill, make two holes no larger than the size of the included anchors.
- Place the anchors in the holes.
- Align the wall bracket (C) with the holes and secure it using the provided screws.
- Attach the top (A) to the wall bracket (C) and secure by tightening the two set screws with the provided hex wrench.

NOTE: The lamp will only attach to the bracket in one direction. Make sure the slot for the notch is facing forward so the lamp will attach to the bracket.



Operation Instructions

- Insert the GS Solar LED Bulb by twisting clockwise.
- Move the operation switch on the back of the lamp to the Low or High position according to your preferences:
 - **Low:** softer light and longer duration
 - **High:** brighter light output
- The solar lamp will automatically operate at dusk.



Replacement Parts

Replacement Batteries and Bulbs are available at www.gamasonic.com or via our Toll Free number: +1-800-835-4113.

Your Lamp can use the following bulbs:

A60WW20W – included bulb with Warm White LEDs (2700K)

A60BW20W – bulb with Bright White LEDs (6000K)

F30WW05W – Flame bulb with simulated flame LEDs

T45WW10W – Edison LED Bulb with Warm White LEDs (2700k)

Your lamp uses the following battery:
GS32V30



Replacing the Batteries

GAMA SONIC®
SOLAR LIGHTING

After several years of use, the battery may need replacing, or you have the option to add a second battery for added duration. (Recommended for lamps that receive more than 4 hours of direct sunlight per day)

Steps

1. Remove the lamp from the wall bracket (C) using the supplied hex wrench.
2. Switch the unit to the OFF position and remove the bulb.
3. Remove the four rubber plugs from the top (A).
4. Remove the four screws with a 4mm hex wrench and separate the top (A) from the fixture (B).
5. On the underside of the top (A), remove the battery compartment screw and cover.
6. Remove the battery and unclip the connector.
7. Make sure the new battery is a 3.2V/3000mAh Li-Ion battery with matching connector (Item# GS32V30)
8. Clip in the new battery and install the battery in the compartment.
9. Replace the battery cover and screw.
10. Repeat steps 5-9 for the second(optional) battery.
11. Re-assemble the lamp by reversing steps 1-4.



Replacement Batteries and Bulbs are available at
www.gamasonic.com

Maintenance

Clean the solar panels regularly with a damp towel to guarantee optimum performance. Do not use any type of solvent for cleaning and be careful not to put too much pressure on the solar panels while cleaning.

Troubleshooting

If your solar light does not come on as expected despite observance of all the instructions, please try the following steps:

1. Make sure that the solar lamp is not being affected by any other light source.
2. Ensure the solar lamp is not positioned in the shade during the day.
3. Check that the batteries are installed correctly.

NOTE: The performance of the solar lamp will vary with the time of year. It will last longer when it has had a full day in the sun rather than a day in overcast weather.



WINTERTIME TIPS: For optimal performance, be sure to remove any snow or debris accumulation from solar panel(s). A solar panel free of debris will charge the batteries much more efficiently.

WARNING: Please keep out of reach of children. Do not dispose of the Li-Ion battery in the regular trash, municipal waste stream or by fire as batteries may leak or explode. Do not open, short circuit, or mutilate batteries as injury may occur. Preserve our environment by recycling Li-Ion batteries or disposing of them in accordance with local, State and federal regulations. Do not mix old and new batteries.

