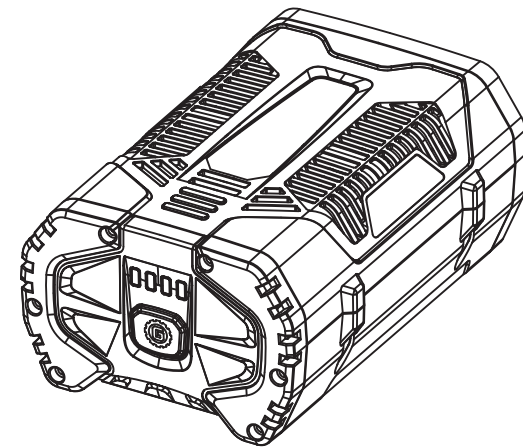




Operator's Manual

Operator's Manual 62V Rechargeable Lithium-Ion Battery



CHARGE BEFORE FIRST USE

Models: GMBA6200-25, GMBA6200-40

⚠ WARNING: To reduce the risk of the injury, the user must read and understand the operator's manual before using this product. Save these instructions for future reference.

TOLL-FREE HELPLINE: (800)541-7027

1 GENERAL SAFETY RULES

CONTENTS





Section 1	General Safety Rules	3
Section 2	Parts Diagram	7
Section 3	Technical Details	7
Section 4	Operation	8
Section 5	Maintenance	10
Section 6	Recycling	11
Section 7	Troubleshooting	12
Section 8	Limited Warranty Coverage	13

IMPORTANT SAFETY INSTRUCTIONS

Please read all of the following before operating this product. The safety instructions in this manual are designed to protect your safety and guide your use of this Green Machine® product. Failure to read and understand the following information may create an unsafe workspace which could constitute risk of electric shock, explosions, fire, or chemical reactions. Save all warnings and instructions for future reference.

SYMBOLS

The following symbols may appear on your device before, during, or after use. Take the time to read over and understand the meaning of each symbol before using your device.

	Safety Alert	Precautions that involve your safety
	Read the Operator's Manual	To reduce the risk of injury, user must read and understand operator's manual before using this product.
	Do Not Expose to Rain or Damp Conditions	This symbol indicates that your machine should not be exposed to water in any form. Exposing your device to water can create dangerous conditions and lead to electrocution.
	Recycle symbols	The battery contains toxic substances. Local, state, or federal laws may prohibit disposal of batteries in ordinary household trash. Consult your local waste authority for information regarding available disposal options.

1.1 Work Area Safety

- **Prepare your workspace.** Ensuring a clean and well-lit workspace should be the first step in using your Green Machine® tools. Use dust extraction and collection devices if available.
- **Never operate your power tools in the presence of flammable liquids, gases, or dust.**
- **Keep children and bystanders away while operating your power tools.** By operating away from bystanders, you are reducing the risk of injury by minimizing potential harm to people other than yourself. Additionally, you can avoid unwanted distractions which may lead to unsafe operation.

1.2 Battery Pack Use And Care

- **Your battery must be fully charged before its first use.**
- **Recharge only with the Green Machine® charger model GMBC6200.**
- **Keep battery away from rain and/or moisture.** Water increases the risk of electric shock.
- **Take special care in storing your battery pack.** Keeping your batteries away from other metal objects such as paper clips, coins, keys, nails, screws or other small metal objects will ensure safe storage.
- **Avoid any contact with liquid discharged from your battery pack.** Liquid will only be discharged from your battery pack in extreme cases, but it is important to be prepared. If contact accidentally occurs, flush the exposed area with water immediately. If liquid contacts eyes, seek medical attention.
- **Do not attempt to modify your battery pack.** Additionally, if your battery pack has been damaged, seek to dispose of it properly and do not attempt to use it again.
- **Never open the battery.** Opening the battery itself can cause a danger of short circuiting the system.
- **For best results, your battery should be charged in a location where the temperature is more than 32°F but less than 104°F.** To reduce the risk of serious personal injury, do not store outside or in vehicles.
- **Avoid excessive temperatures.** If your battery pack overheats to 212°F or more, the battery is at risk of exploding. Be mindful of lengthy exposure to intense sun or fire.
- **Do not crush, drop or damage the battery pack.** Do not use a battery pack or charger that has been dropped or received a sharp blow. A damaged battery is subject to

explosion. Properly dispose of a dropped or damaged battery immediately.

- **Batteries can explode in the presence of a source of ignition, such as a pilot light.** To reduce the risk of serious personal injury, never use any cordless product in the presence of an open flame. An exploded battery can propel debris and chemicals. If exposed, flush with water immediately.
- **Do not let gasoline, oils, petroleum-based products, etc. come in contact with plastic parts.** These substances contain chemicals that can damage, weaken or destroy plastic.
- **Have your battery pack serviced by a qualified repair person using only identical replacement parts.** This will ensure that the safety of the battery pack is maintained.
- **Save these instructions.** Refer to them frequently and use them to instruct others who may use this tool. If you loan someone this tool, loan them these instructions also to prevent misuse of the product and possible injury.
- **This battery is compatible only with Green Machine® tools.** Do not use your battery on other tools or for any other purposes.

Green Machine® Lithium-Ion batteries are marked with the Call2Recycle seal, and can be recycled at any US or Canada participating retailer or battery recycling facility in the Call2Recycle program. To locate a participating retailer or facility closest to you, please call 877-273-2925 or visit www.call2recycle.org. If you are unable to locate a participating retailer or facility nearby, please consult your local waste authority for information regarding available recycling and/or disposal options.



1.3 Power Tool Use And Care

- **Do not use a power tool if the switch does not work properly.**
- **Never carry your power tool with your finger on the power switch.**
- **Check to ensure that the power switch is set to 'off' before connecting or removing the battery.**
- **Remove the battery pack before servicing your tool.** Make sure the power switch is off and the battery pack is removed before clearing jammed material, making adjustments, changing accessories, storing, or servicing the appliance.

2 PARTS DIAGRAM

- **Do not allow persons unfamiliar with instructions to operate the tools.**
- **Keep your power tool in proper condition with regular maintenance.** Check for the misalignment or disrepair of moving parts and any other condition that may affect the power tool's operation. If damaged, have the power tool repaired before use.
- **Avoid use near or around water.** Ensure your hands are dry and never use your power tool in the rain.
- **Do not use solvents or cleaning fluids to clean your product.**

1.4 Additional Safety Warnings

⚠ WARNING: This product may contain lead, phthalate or other chemicals known to the State of California to cause cancer, birth defects and other reproductive harm. Please wash your hands after use.

▪ **Green Machine® tools are not intended for use by any person with reduced physical, sensory, or mental capabilities.** This includes people with a lack of experience and knowledge. All users must receive supervision or instruction concerning use of the appliance prior to actual use.

▪ **Always ensure all handles and guards are fitted when using the machine.** Never attempt to use an incomplete machine or one fitted with an unauthorized modification.

▪ **Wait until the machine has turned completely off before placing it down.**

▪ **In case of damage and improper use of the battery,** vapors may be emitted. In the case of vapor emission, turn off your device and seek fresh air away from the fumes. Seek medical help in case of complications or overexposure to vapors to avoid damage to the respiratory system.

▪ **Keep your product out of reach of children at all times.**

SAVE THESE INSTRUCTIONS

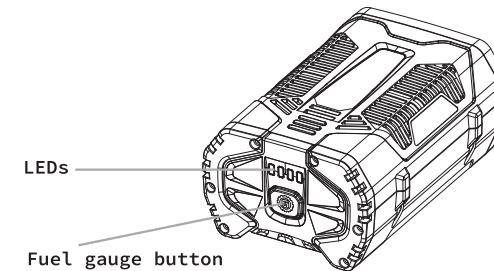


Fig. 1

3 TECHNICAL DETAILS

Battery Pack Model Number	GMBA6200-25	GMBA6200-40
Voltage	62Vd.c.	62Vd.c.
Battery capacity	2.5Ah/135Wh	4Ah/216Wh
Number of Battery cell:	15pcs	15pcs
Net weight	1.35kg	1.7kg
Compatible Charger	GMBC6200	
Charger input	100-120VAC, 60Hz,6.5A	

4 OPERATION

4.1 Fuel Gauge

This battery features a 4-LED indicator to display the amount of charge left in the battery. To check the charge level, press the Fuel Gauge button.

- 1.If four LEDs light up green, the battery pack is fully charged. The battery pack capacity is between 80%~100%.
- 2.If three LEDs light up green and one is off, the battery pack capacity is between 60%~80%.
- 3.If two LEDs light up green and two are off, the battery pack capacity is between 40%~60%.
- 4.If only one LED light up green and others are off, the battery pack capacity is between 20%~40%.
- 5.If only one LED flashes green, the battery pack capacity is lower than 20%, the battery pack needs to be charged.

NOTE: The indicator stays unlit until the Fuel Gauge button has been pressed. The LEDs will then light up for five seconds and turn off automatically.

4.2 Battery Protection Features

The Green Machine® batteries are designed with features that protect the Lithium-Ion cells and maximize battery life. If your tool stops working during use, the following may be the causes:

- a.The maximum current draw of the battery was exceeded, causing it to automatically stop powering the tool. Release the trigger to reset the tool and pull the trigger to resume operation.
- b.Excessive temperatures will cause the battery to stop powering the tool. Feel the battery pack, if it is too warm, allow it to cool down.
If the tool still does not work, recharge the battery.

NOTICE: A significantly reduced run time after fully charging the battery pack indicates that the batteries are nearing the end of their usable life and must be replaced.

4.3 Charging The Battery Pack

NOTE: Battery packs are shipped with a partial charge and need to be fully charged before first use.

TO CHARGE:

- 1.Use only with a Green Machine® charger model GMBC6200.
- 2.Connect the charger to the household power supply with AC voltage of 100-120 volts, 60Hz.
- 3.Slide the battery pack along the grooves of the charger.
- 4.Press down the battery pack to ensure contacts on the battery pack engage properly with contacts in the charger.
- 5.Do not place charger and battery in an area of extreme heat or cold; they work best in temperatures between 32°F and 104°F. If the battery warms above or cools below its normal temperature range, the four LEDs on its display will flash green and the LED of charger will flash red until the battery temperature gets back to normal. Then, the charger will automatically begin the regular charge process.
- 6.The battery pack can become slightly warm to the touch while charging. This is normal and does not indicate a problem.
- 7.After charging is complete, the charger green LED will turn and remain on until either the battery pack has been removed from the charger or the charger has been disconnected from the power supply.

NOTE: If the battery does not get properly charged following steps above, please contact our helpline at (800) 541-7027 to locate a certified dealer and get it checked. Do not attempt to service the battery yourself.

4.4 Cold Weather Operation

This Lithium-Ion battery pack can be used in temperatures down to -5°F. When you first begin using a tool in a cold weather, run it on a light duty mode for about a minute. The battery pack will then be warmed up and operate normally.

4.5 Battery Life

The Green Machine® batteries were designed to last. However, like all batteries, they will eventually wear out. When they do, do not take apart the battery pack and attempt to replace the battery cells inside. Handling of these cells, especially when wearing rings and jewelry, could result in a serious burn.

To obtain the longest possible battery life, we recommend the following:

- Remove the battery pack from the charger once it is fully charged and ready for use.

- Store the battery pack where the temperature is between 14°F and 95°F and away from moisture.
- Store battery packs in a 30%-50% charged condition.
- Every three months of storage, charge the pack as normal.

The equipment should not be stored in a wet environment or in areas with corrosive gases, but rather in a dry place which is out of the reach of children.

5 MAINTENANCE

⚠ WARNING: To avoid serious personal injury, always remove the battery pack from the tool when cleaning or performing any maintenance.

- Avoid using solvents when cleaning plastic parts. Most plastics are susceptible to damage from various types of commercial solvents and may be damaged by their use.
- Keep the surface of the equipment clean by wiping it with a dry cloth.
- There are no user-serviceable parts inside the battery, so it should never be disassembled. If the battery is damaged, please contact our customer service at (800) 541-7027.

⚠ WARNING: Do not at any time let brake fluids, gasoline, petroleum-based products, penetrating oils, etc. to come in contact with plastic parts. Chemicals can damage, weaken or destroy plastic which may result in serious personal injury.

⚠ WARNING: To reduce the risk of fire, personal injury, and product damage due to a short circuit, never immerse your tool, battery pack or charger in fluid or allow a fluid to flow inside them. Corrosive or conductive fluids, such as seawater, certain industrial chemicals, and bleach or bleach containing products, etc., can cause a short circuit.

6 RECYCLING

Please recycle all materials instead of disposing of them as waste. The product, accessories and packaging should be sorted for environmental-friendly recycling. Green Machine® Lithium-Ion batteries are marked with the Call2Recycle seal, and can be recycled at any US or Canada participating retailer or battery recycling facility in the Call2Recycle program. To locate a participating retailer or facility closest to you, please call 877-273-2925 or visit www.call2recycle.org. If you are unable to locate a participating retailer or facility nearby, please consult your local waste authority for information regarding available recycling and/or disposal options. Local, state or federal laws may prohibit disposal of Lithium-Ion batteries in ordinary trash.



⚠ WARNING: When preparing the battery for disposal or recycling, cover its terminals with a heavy-duty adhesive tape. Never touch both terminals with metal objects and/or body parts as short circuit may result. Do not attempt to destroy or disassemble batteries or remove any of the components. Keep the product out of reach of children. Failure to comply with these warnings could result in fire and/or serious injury.

7 TROUBLESHOOTING

The following chart lists problem symptoms, possible causes and corrective action, if your garden product does not operate properly. If these do not identify and correct the problem, contact our helpline at 800-541-7027.

PROBLEM	PROBABLE CAUSE	CORRECTIVE ACTION
The battery can't be charged on the charger.	Battery pack is too warm or too cool and the four LEDs on its display flash green (5HZ).	Allow the battery pack to reach its normal temperature range. Charging will begin when battery pack returns to 40°F - 110°F.
	Battery error. The four LEDs on its display flash green (1HZ).	Contact customer service.

8 LIMITED WARRANTY COVERAGE

The manufacturer warrants that it will repair or replace, free of charge, any failure due to defects in materials or workmanship or both occurring during the applicable warranty period, subject to the exclusions and limitations set forth in the following paragraphs. Limited warranty coverage only applies to Green Machine products that are purchased from an authorized Green Machine® retailer located in the United States, U.S. territories or Canada. This warranty is effective for and is subject to the time periods and conditions stated below. For warranty service, purchaser must make the product available to the nearest Authorized Service Dealer, which can be found by contacting the help line at 800-541-7027.

Persons Covered This Limited Warranty

This warranty is valid for the original retail purchaser from the date of initial retail purchase and is not transferable.

"Consumer Use"

"Consumer Use" means personal residential household use by a retail consumer.

"Commercial Use"

"Commercial Use" means uses for commercial, income producing purposes. This warranty is void if the product has been used for rental purposes.

WARRANTY PERIOD

Item	Consumer Use	Commercial Use
Garden Tool	5 years	1 year
Battery and Charger	3 years	45 days

What are the limits on Manufacturer's Liability?

A. THE MANUFACTURER SHALL NOT BE LIABLE FOR ANY INCIDENTAL OR CONSEQUENTIAL DAMAGES OF ANY KIND RESULTING FROM THE PURCHASE, USE OR MISUSE OF, OR INABILITY TO USE THE PRODUCT INCLUDING INCIDENTAL, SPECIAL, CONSEQUENTIAL OR SIMILAR DAMAGES OR LOSS OF PROFITS, OR FOR ANY CLAIM BROUGHT AGAINST PURCHASER BY ANY OTHER PARTY. THERE ARE NO EXPRESS WARRANTIES OTHER THAN THOSE SET FORTH HEREIN. ANY WARRANTY IMPLIED BY STATE LAW (WHETHER OF MERCHANTABILITY OR FITNESS FOR A PARTICULAR USE OR OTHERWISE) SHALL BE EFFECTIVE FOR ANY PRODUCT ONLY FOR THE DURATION OF THE APPLICABLE LIMITED WARRANTY PERIOD LISTED ABOVE. SOME STATES OR JURISDICTIONS DO NOT ALLOW THE EXCLUSION OR LIMITATION OF INCIDENTAL OR CONSEQUENTIAL DAMAGES OR LIMITATIONS ON HOW LONG AN IMPLIED WARRANTY LASTS, SO THE ABOVE LIMITATIONS OR EXCLUSION MAY NOT APPLY TO YOU. THIS WARRANTY GIVES YOU SPECIFIC LEGAL RIGHTS, AND YOU MAY ALSO HAVE OTHER RIGHTS THAT VARY FROM STATE TO STATE OR JURISDICTION TO JURISDICTION. PLEASE DO NOT RETURN THIS PRODUCT TO THE PLACE OF PURCHASE.

B. This warranty applies only to products which have been properly assembled, adjusted, operated, and maintained in accordance with the instructions furnished.

C. This warranty does not apply to any product which has been subjected to alteration, misuse, abuse, improper assembly or installation, delivery damage, or to normal wear of the product.

D. This warranty does not cover normal wear of parts or damage resulting from any of the following: negligent use or misuse of the product, use on improper voltage or current, use contrary to the operating instructions, disassembly, repair or alteration by anyone other than an authorized service dealer. Further, the warranty does not cover: Acts of God, such as fire, flood, hurricanes and tornadoes.

Duties of the Consumer

A. Keep the original sales receipt for the length of the limited warranty time period as proof of purchase. Proof of purchase is required to obtain warranty. Manufacturer reserves the right to request a copy of the receipt to verify limited warranty coverage in the event a warranty repair is made to the product.

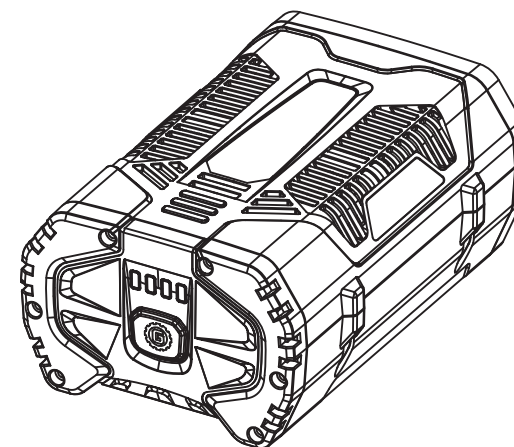
B. Use reasonable care in the maintenance, operation, and storage of the product as explained in the operators manual.

C. Transportation charges on product or parts submitted for repair or replacement under this warranty must be paid by the purchaser unless such repair or replacement is requested by the manufacturer.

Duties of the Manufacturer

A. Any defective product or part covered by this limited warranty will be repaired or replaced at the option of the Manufacturer.

B. Product failures covered by this limited warranty will be scheduled and repaired according to the normal workflow of the Authorized Service Dealer to whom the product is delivered for service depending upon the availability of replacement parts or products.

Manual del Operador**Batería de Iones de Litio Recargable de 62V****CARGUE ANTES DE SU PRIMER USO**

Models: GMBA6200-25, GMBA6200-40



ADVERTENCIA: Para reducir el riesgo de lesiones, el usuario debe leer y comprender el manual del operador antes de usar este producto. Guarde estas instrucciones para referencia en el futuro

LÍNEA DE AYUDA GRATUITA: (800) 541-7027

1 REGLAS GENERALES DE SEGURIDAD

CONTENIDOS





Sección 1	Reglas Generales de Seguridad	3
Sección 2	Diagrama de Partes	7
Sección 3	Detalles Técnicos	7
Sección 4	Operación	8
Sección 5	Mantenimiento	11
Sección 6	Reciclaje	12
Sección 7	Resolución de Problemas	13
Sección 8	Garantía Limitada	14

INSTRUCCIONES DE SEGURIDAD IMPORTANTES

Lea todo lo siguiente antes de utilizar este producto. Las instrucciones de seguridad de este manual están diseñadas para proteger su seguridad y guiar el uso de este producto Green Machine®. No leer y comprender la siguiente información puede crear un espacio de trabajo inseguro que podría constituir un riesgo de descarga eléctrica, explosiones, incendios o reacciones químicas. Guarde todas las advertencias e instrucciones para futuras referencias.

SÍMBOLOS

Los siguientes símbolos pueden aparecer en su dispositivo antes, durante o después de su uso. Tómese el tiempo de leer y entender el significado de cada símbolo antes de usar su dispositivo.

	Alerta de Seguridad	Precauciones que involucran su seguridad.
	Lea el Manual del Operador	Para reducir el riesgo de lesiones, el usuario debe leer y comprender el manual del operador antes de usar este producto.
	No Exponga a la Lluvia o Condiciones Húmedas	Este símbolo indica que su máquina no debe exponerse al agua de ninguna forma. La exposición del dispositivo al agua puede crear condiciones peligrosas y provocar una electrocución.
	Símbolos de reciclaje	La batería contiene sustancias tóxicas. Las leyes locales, estatales o federales pueden prohibir la eliminación de baterías en la basura común del hogar. Consulte a su autoridad local de residuos para obtener información sobre las opciones de eliminación disponibles.

1.1 Seguridad en el Espacio de Trabajo

- **Prepare su espacio de trabajo.** Asegurar un espacio de trabajo limpio y bien iluminado debe ser el primer paso para usar sus herramientas de Green Machine®. Utilice dispositivos de extracción y recolección de polvo si están disponibles.
- **Nunca opere sus herramientas eléctricas en presencia de líquidos, gases o polvos inflamables.**
- **Mantenga alejados a los niños y transeúntes mientras utiliza sus herramientas eléctricas.** Al operar lejos de los transeúntes, está reduciendo el riesgo de lesiones al minimizar el daño potencial a otras personas además de usted. Además, puede evitar distracciones no deseadas que pueden provocar un funcionamiento inseguro.

1.2 Uso y Cuidado del Paquete de Baterías

- **Su batería debe estar completamente cargada antes de su primer uso.**
- **Recargue solo con el cargador Green Machine® modelo GMBC6200.**
- **Mantenga la batería alejada de la lluvia y / o la humedad.** El agua aumenta el riesgo de descarga eléctrica.
- **Tenga cuidado especial al almacenar su batería.** Mantener las baterías alejadas de otros objetos metálicos como clips, monedas, llaves, clavos, tornillos u otros objetos metálicos pequeños garantizará un almacenamiento seguro.
- **Evite cualquier contacto con el líquido descargado de su paquete de baterías.** El líquido solo se descargará de su paquete de baterías en casos extremos, pero es importante estar preparado. Si el contacto ocurre accidentalmente, lave el área expuesta con agua inmediatamente. Si el líquido entra en contacto con los ojos, busque atención médica.
- **No intente modificar su paquete de baterías.** Además, si su paquete de baterías se ha dañado, trate de desecharlo correctamente y no intente usarlo nuevamente.
- **Nunca abra la batería.** Abrir la propia batería puede provocar un cortocircuito en el sistema.
- **Para obtener mejores resultados, la batería debe cargarse en un lugar donde la temperatura sea superior a 32 °F pero inferior a 104 °F.** Para reducir el riesgo de lesiones personales graves, no lo almacene al aire libre ni en vehículos.
- **Evite las temperaturas excesivas.** Si su paquete de batería se sobrecalienta a 212 °F o más, la batería corre el riesgo de explotar. Tenga en cuenta la exposición prolongada al sol intenso o al fuego.

▪ **No aplaste, deje caer ni dañe la batería.** No utilice un paquete de baterías o un cargador que se haya caído o recibido un golpe fuerte. Una batería dañada está sujeta a explosión. Deseche inmediatamente una batería que se haya caído o esté dañada de manera adecuada.

▪ **Las baterías pueden explotar en presencia de una fuente de ignición, como una luz piloto.** Para reducir el riesgo de lesiones personales graves, nunca utilice ningún producto inalámbrico en presencia de una llama abierta. Una batería explotada puede propulsar escombros y productos químicos. Si está expuesta, enjuague con agua inmediatamente.

▪ **No permita que gasolina, aceites, productos a base de petróleo, etc. entren en contacto con las piezas de plástico.** Estas sustancias contienen sustancias químicas que pueden dañar, debilitar o destruir el plástico.

▪ **Haga que su paquete de baterías sea reparado por un técnico calificado que utilice solo piezas de repuesto idénticas.** Esto garantizará que se mantenga la seguridad del paquete de baterías.

▪ **Guarde estas instrucciones.** Consúltelos con frecuencia y utilícelos para instruir a otras personas que puedan utilizar esta herramienta. Si presta esta herramienta a alguien, entréguele estas instrucciones también para evitar el uso indebido del producto y posibles lesiones.

▪ **Esta batería es compatible solo con herramientas Green Machine®.** No use su batería en ninguna otra herramienta o para ningún otro propósito.

Este producto utiliza baterías de iones de litio (Li-ion) marcadas con el sello Call2Recycle, que se pueden reciclar en cualquier tienda minorista o instalación de reciclaje de baterías participante de los Estados Unidos o Canadá. Para ubicar un minorista participante o una instalación más cercana a usted, llame al 877-273-2925 o visite www.call2recycle.org. Si no puede localizar un minorista participante o una instalación cercana, consulte a la autoridad local de desechos para obtener información sobre las opciones disponibles de reciclaje y desecho.



1.3 Uso y Cuidado de Herramientas Eléctricas

- **No utilice una herramienta eléctrica si el interruptor no funciona correctamente.**
- **Nunca lleve su herramienta eléctrica con el dedo en el interruptor de encendido.**
- **Verifique que el interruptor de encendido esté en "apagado" antes de conectar o quitar la batería.**
- **Retire el paquete de baterías antes de reparar su herramienta.** Asegúrese de que el interruptor de encendido esté apagado y que el paquete de baterías esté retirado antes de limpiar el material atascado, hacer ajustes, cambiar accesorios, almacenar o reparar el aparato.
- **No permita que personas no familiarizadas con las instrucciones utilicen las herramientas.**
- **Mantenga su herramienta eléctrica en condiciones adecuadas con un mantenimiento regular.** Verifique la desalineación o el deterioro de las piezas móviles y cualquier otra condición que pueda afectar el funcionamiento de la herramienta eléctrica. Si está dañada, haga reparar la herramienta eléctrica antes de usarla.
- **Evite el uso cerca o alrededor del agua.** Asegúrese de que sus manos estén secas y nunca use su herramienta eléctrica bajo la lluvia.
- **No utilice solventes ni líquidos de limpieza para limpiar su producto.**

1.4 Advertencias Adicionales de Seguridad

⚠ ADVERTENCIA: Este producto puede contener plomo, ftalato u otras sustancias químicas conocidas en el estado de California como causantes de cáncer, defectos de nacimiento y otros daños reproductivos. Lávese las manos después de su uso.

- **Las herramientas Green Machine® no están diseñadas para ser utilizadas por personas con capacidades físicas, sensoriales o mentales reducidas.** Esto incluye a personas con falta de experiencia y conocimiento. Todos los usuarios deben recibir supervisión o instrucciones sobre el uso del aparato antes de su uso real.
- **Asegúrese siempre de que todos los mangos y protectores estén colocados cuando utilice la máquina.** Nunca intente utilizar una máquina incompleta o equipada con una modificación no autorizada.
- **Espere hasta que la máquina se haya apagado por completo antes de bajarla.**

- **En caso de daño y uso inadecuado de la batería, se pueden emitir vapores.** En el caso de emisión de vapor, apague su dispositivo y busque aire fresco lejos de los humos. Busque ayuda médica en caso de complicaciones o sobreexposición a vapores para evitar daños al sistema respiratorio.

- **Mantenga su producto fuera del alcance de los niños en todo momento.**

GUARDE ESTAS INSTRUCCIONES

2 DIAGRAMA DE PARTES

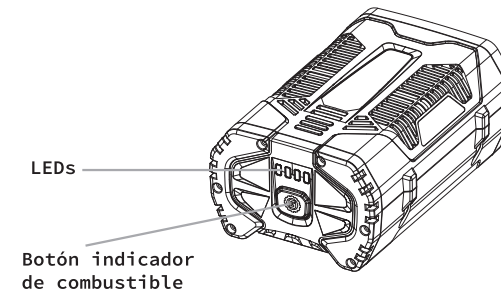


Fig. 1

3

DETALLES TÉCNICOS

Número de Modelo de Paquete de Baterías	GMBA6200-25	GMBA6200-40
Voltaje	62Vd.c.	62Vd.c.
Capacidad de Batería	2.5Ah/135Wh	4Ah/216Wh
Número de células de batería	15piezas	15piezas
Peso neto	1.35kg	1.7kg
Cargador Compatible	GMBC6200	
Voltaje de Entrada del Cargador	100-120VAC, 60Hz,6.5A	

4

OPERACIÓN

4.1 Indicador de Combustible

Esta batería cuenta con un indicador de 4 LED para mostrar la cantidad de carga que queda en la batería. Para verificar el nivel de carga, presione el botón Indicador de Combustible.

- 1.Si cuatro LED se iluminan en verde, la batería está completamente cargada. La capacidad de la batería está entre 80% y el 100%.
- 2.Si tres LED se iluminan en verde y uno está apagado, la capacidad de la batería está entre el 60% y el 80%.
- 3.Si dos LED se iluminan en verde y dos están apagados, la capacidad de la batería está entre el 40% y el 60%.
- 4.Si solo un LED se enciende en verde y los demás están apagados, la capacidad de la batería está entre el 20% y el 40%.
- 5.Si solo un LED parpadea en verde, la capacidad de la batería es inferior al 20%, es

necesario cargar la batería.

NOTA: El indicador se mantiene apagado hasta que el botón de Indicador de Combustible se presiona. Las LED se iluminan por hasta cinco segundos y se apagan automáticamente.

4.2 Características de Protección de Batería

Las baterías Green Machine® están diseñadas con características que protegen las celdas de iones de litio y maximizan la vida útil de la batería. Si su herramienta deja de funcionar durante el uso, las siguientes pueden ser las causas:

- a.Se superó el consumo máximo de corriente de la batería, lo que hizo que dejara de alimentar la herramienta automáticamente. Suelte el gatillo para restablecer la herramienta y apriete el gatillo para reanudar la operación.
- b.Las temperaturas excesivas harán que la batería deje de alimentar la herramienta. Sienta la batería, si está demasiado caliente, deje que se enfríe. Si la herramienta aún no funciona, recargue la batería.

AVISO: Un tiempo significativamente reducido de operación después de cargar por completo el paquete de baterías indica que las baterías están casi al final de su vida útil y deben ser reemplazadas.

4.3 Cargando el Paquete de Baterías

AVISO: Los paquetes de baterías se envían con una carga parcial y deben cargarse por completo antes de su primer uso.

PARA CARGAR:

- 1.Use solo con un cargador Green Machine® modelo GMBC6200.
- 2.Conecte el cargador a la fuente de alimentación doméstica con voltaje de CA de 100-120 voltios, 60Hz.
- 3.Deslice el paquete de baterías a lo largo de las ranuras del cargador.
- 4.Presione el paquete de baterías hacia abajo para asegurarse de que los contactos del paquete de baterías encajen correctamente con los contactos del cargador.
- 5.No coloque el cargador y la batería en un área de calor o frío extremos; funcionan mejor en temperaturas entre 32 °F y 104 °F. Si la batería se calienta por encima o se enfría por debajo de su rango de temperatura normal, los cuatro LED en su pantalla parpadearán en verde y el LED del cargador parpadeará en rojo hasta que la temperatura de la batería vuelva a la normalidad. Luego, el cargador comenzará automáticamente el proceso de carga normal.
- 6.La batería puede calentarse levemente al tacto mientras se carga. Esto es normal y no indica ningún problema.
- 7.Una vez finalizada la carga, el LED verde del cargador se encenderá y permanecerá encendido hasta que se haya extraído el paquete de baterías del cargador o se haya desconectado el cargador de la fuente de alimentación.

NOTA: Si la batería no se carga correctamente siguiendo los pasos anteriores, comuníquese con nuestra línea de ayuda al (800) 541-7027 para localizar un distribuidor certificado y hacer que lo revisen. No intente reparar la batería usted mismo.

4.4 Operación en los Climas Fríos

Este paquete de baterías de iones de litio se puede utilizar en temperaturas de hasta -5 °F. Cuando empiece a usar una herramienta en un clima frío, hágalo funcionar en modo de trabajo ligero durante aproximadamente un minuto. Luego, la batería se calentará y funcionará normalmente.

4.5 Vida de la Batería

Las baterías Green Machine® fueron diseñadas para durar. Sin embargo, como cualquier otra batería, eventualmente se desgastarán. Cuando lo hagan, no desarme el paquete de baterías ni intente reemplazar las celdas de la batería en el interior. El manejo de estas celdas, especialmente cuando se usan anillos y joyas, puede resultar en quemaduras graves.

Para obtener la mayor duración posible de la batería, recomendamos lo siguiente:

- Retire la batería del cargador una vez que esté completamente cargada y lista para usar.
- Guarde el paquete de baterías donde la temperatura esté entre 14 °F y 95 °F y lejos de la humedad.
- Almacene los paquetes de baterías con una carga entre el 30% al 50%.
- Cada tres meses de almacenamiento, cargue el paquete como de costumbre. El equipo no debe almacenarse en un ambiente húmedo o en áreas con gases corrosivos, sino en un lugar seco y fuera del alcance de los niños.

5 MANTENIMIENTO

⚠ ADVERTENCIA: Para evitar lesiones personales graves, siempre retire el paquete de baterías de la herramienta cuando limpie o realice cualquier mantenimiento.

- Evite el uso de solventes al limpiar piezas de plástico. La mayoría de los plásticos son susceptibles de dañarse con varios tipos de disolventes comerciales y pueden dañarse con su uso.

- Mantenga limpia la superficie del equipo frotándola con un paño seco.

- No hay piezas que el usuario pueda reparar dentro de la batería, por lo que nunca debe desmontarse. Si la batería está dañada, comuníquese con nuestro servicio de atención al cliente al (800) 541-7027.

⚠ ADVERTENCIA: No permita en ningún momento que líquidos de frenos, gasolina, productos a base de petróleo, aceites penetrantes, etc. entren en contacto con las piezas de plástico. Los productos químicos pueden dañar, debilitar o destruir el plástico, lo que puede provocar lesiones personales graves.

⚠ ADVERTENCIA: Para reducir el riesgo de incendio, lesiones personales y daños al producto debido a un cortocircuito, nunca sumerja su herramienta, el paquete de baterías o el cargador en líquido ni permita que fluya líquido dentro de ellos. Los fluidos corrosivos o conductores, como el agua de mar, ciertos productos químicos industriales y cloro o productos que contienen cloro, etc., pueden provocar un cortocircuito.

6 RECICLAJE

Recicle todos los materiales en lugar de desecharlos como residuos. El producto, los accesorios y el embalaje deben clasificarse para un reciclaje ecológico. Las baterías de iones de litio Green Machine® están marcadas con el sello Call2Recycle y se pueden reciclar en cualquier tienda minorista o instalación de reciclaje de baterías participante de los Estados Unidos o Canadá en el programa Call2Recycle. Para ubicar un minorista participante o una instalación más cercana a usted, llame al 877-273-2925 o visite la página www.call2recycle.org. Si no puede localizar un minorista participante o una instalación cercana, consulte a la autoridad local de desechos para obtener información sobre las opciones disponibles de reciclaje y eliminación. Las leyes locales, estatales o federales pueden prohibir la eliminación de las baterías de iones de litio en la basura común.



⚠ ADVERTENCIA: Cuando prepare la batería para su eliminación o reciclaje, cubra sus terminales con una cinta adhesiva de alta resistencia. Nunca toque ambos terminales con objetos metálicos y / o partes del cuerpo, ya que podría producirse un cortocircuito. No intente destruir o desmontar las baterías ni retirar ninguno de los componentes. Mantenga el producto fuera del alcance de los niños. El incumplimiento de estas advertencias podría provocar un incendio y / o lesiones graves.

7 RESOLUCIÓN DE PROBLEMAS

La siguiente tabla enumera los síntomas del problema, las posibles causas y las acciones correctivas, si su producto de jardín no funciona correctamente. Si estos no identifican y corrigen el problema, comuníquese con nuestra línea de ayuda al 800-541-7027.

PROBLEMA	CAUSA PROBABLE	ACCIÓN CORRECTIVA
La batería no puede cargarse en el cargador.	El paquete de baterías está muy caliente o muy frío y las cuatro luces LED en su pantalla parpadean en verde (5HZ).	Permita que el paquete de baterías llegue a su rango de temperatura normal. La carga iniciará cuando el paquete de baterías regrese a los 40°F - 110°F.
	Error de batería. Las cuatro LED en la pantalla parpadearan en verde (1HZ).	Contacte a servicio al cliente.

8 COBERTURA DE GARANTÍA LIMITADA

El fabricante garantiza que reparará o reemplazará, sin cargo, cualquier falla debido a defectos en los materiales o mano de obra o ambos que ocurran durante el período de garantía aplicable, sujeto a las exclusiones y limitaciones establecidas en los siguientes párrafos. La cobertura de la garantía limitada solo se aplica a los productos Green Machine que se compran en un minorista autorizado de Green Machine ubicado en los Estados Unidos, los territorios de los EE. UU. o Canadá. Esta garantía estará vigente y sujeta a los períodos de tiempo y las condiciones que se indican a continuación. Para el servicio de garantía, el comprador debe poner el producto a disposición del distribuidor de servicio autorizado más cercano, que puede encontrar comunicándose con la línea de ayuda al 800-541-7027.

Personas cubiertas por esta garantía limitada

Esta garantía es válida para el comprador minorista original a partir de la fecha de compra minorista inicial y no es transferible.

“Uso del consumidor”

“Uso del consumidor” significa el uso doméstico residencial personal por parte de un consumidor minorista.

“Uso comercial”

“Uso comercial” significa usos con fines comerciales y de producción de ingresos. Esta garantía es nula si el producto se ha utilizado con fines de alquiler.

PERÍODO DE GARANTÍA

Producto	Uso del consumidor	Uso comercial
Herramienta de jardinería	5 años	1 año
Batería y cargador	3 años	45 días

¿Cuáles son los límites de la Responsabilidad del Fabricante?

A. EL FABRICANTE NO SERÁ RESPONSABLE DE NINGÚN DAÑO INCIDENTAL O CONSECUENTE DE NINGÚN TIPO QUE RESULTEN DE LA COMPRA, USO O MAL USO O INCAPACIDAD DE USAR EL PRODUCTO, INCLUYENDO DAÑOS INCIDENTALES, ESPECIALES, CONSECUENTES O SIMILARES, O PÉRDIDA DE BENEFICIOS CONTRA EL COMPRADOR POR CUALQUIER OTRA PARTE. NO HAY GARANTÍAS EXPRESAS DISTINTAS A LAS ESTABLECIDAS AQUÍ. CUALQUIER GARANTÍA IMPLÍCITA POR LA LEY ESTATAL (YA SEA DE COMERCIABILIDAD O APTITUD PARA UN USO PARTICULAR O DE OTRA MANERA) SERÁ EFECTIVA PARA CUALQUIER PRODUCTO SOLO DURANTE LA DURACIÓN DEL PERÍODO DE GARANTÍA LIMITADA APLICABLE QUE SE DESCRIBE ANTERIORMENTE. ALGUNOS ESTADOS O JURISDICCIONES NO PERMITEN LA EXCLUSIÓN O LIMITACIÓN DE DAÑOS INCIDENTALES O CONSECUENTES O LIMITACIONES SOBRE LA DURACIÓN DE UNA GARANTÍA IMPLÍCITA, POR LO QUE LAS LIMITACIONES O EXCLUSIONES ANTERIORES PUEDEN NO APLICARSE EN SU CASO. ESTA GARANTÍA LE OTORGA DERECHOS LEGALES ESPECÍFICOS Y TAMBIÉN PUEDE TENER OTROS DERECHOS QUE VARÍAN DE ESTADO A ESTADO O DE JURISDICCIÓN A JURISDICCIÓN. NO DEVUELVA ESTE PRODUCTO AL LUGAR DE COMPRA.

B. Esta garantía se aplica solo a los productos que se han ensamblado, ajustado, operado y mantenido correctamente de acuerdo con las instrucciones proporcionadas.

C. Esta garantía no se aplica a ningún producto que haya sido sometido a alteraciones, mal uso, abuso, ensamblaje o instalación inadecuados, daños en la entrega o desgaste normal del producto.

D. Esta garantía no cubre el desgaste normal de piezas o daños resultantes de cualquiera de los siguientes: uso negligente o mal uso del producto, uso con voltaje o corriente inadecuados, uso contrario a las instrucciones de operación, desmontaje, reparación o alteración por cualquier persona que no sea un distribuidor de servicio autorizado. Además, la garantía no cubre: Actos de fuerza mayor, como incendios, inundaciones, huracanes y tornados.

Deberes del consumidor

A. Conservar el recibo de compra original durante el período de garantía limitada como prueba de compra. Se requiere el comprobante de compra para obtener garantía. El fabricante se reserva el derecho de solicitar una copia del recibo para verificar la cobertura de la garantía limitada en caso de que se realice una reparación en garantía del producto.

B. Tener un cuidado razonable en el mantenimiento, operación y almacenamiento del producto como se explica en el manual del operador.

C. Los gastos de transporte del producto o las piezas enviadas para reparación o reemplazo bajo esta garantía deben ser pagados por el comprador a menos que el fabricante solicite dicha reparación o reemplazo.

Deberes del fabricante

A. Cualquier producto o pieza defectuoso cubierto por esta garantía limitada será reparado o reemplazado a opción del fabricante.

B. Las fallas del producto cubiertas por esta garantía limitada se programarán y repararán de acuerdo con el flujo de trabajo normal del distribuidor de servicio autorizado a quien se le entrega el producto para su reparación, dependiendo de la disponibilidad de piezas de repuesto o productos.