

VEVOR®

## 15-30 TON TOE JACK LIFT



Flexible Lifting



Easy Operation



### 15 Ton-30 Ton Hydraulic Machine Toe Jack

Our toe jack lift has a powerful lifting capacity, 30 tons on top, 15 tons on the toe. The toe jack is made of heavy-duty steel, rigid and durable. Convenient to control that you can rise or drop it with ease. It will be an excellent jack tool for your automotive repair works and other emergencies.

- 15/30 Ton Loading Capacity
- One-Piece Molding Toe
- Rising & Falling Operation
- Sturdy Construction

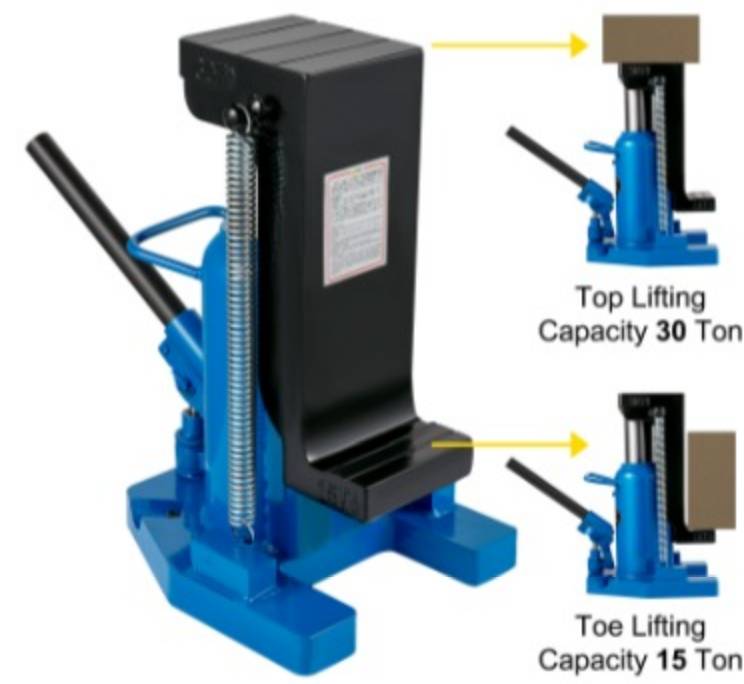
VEVOR®

### Tough Equipment & Tools, Pay Less

VEVOR is a leading brand that specializes in equipment and tools. Along with thousands of motivated employees, VEVOR is dedicated to providing our customers with tough equipment & tools at incredibly low prices. Today, VEVOR has occupied markets of more than 200 countries with 10 million plus global members.

### Why Choose VEVOR?

- Premium Tough Quality
- Incredibly Low Prices
- Fast & Secure Delivery
- 30-Day Free Returns
- 24/7 Attentive Service



### Power Performance

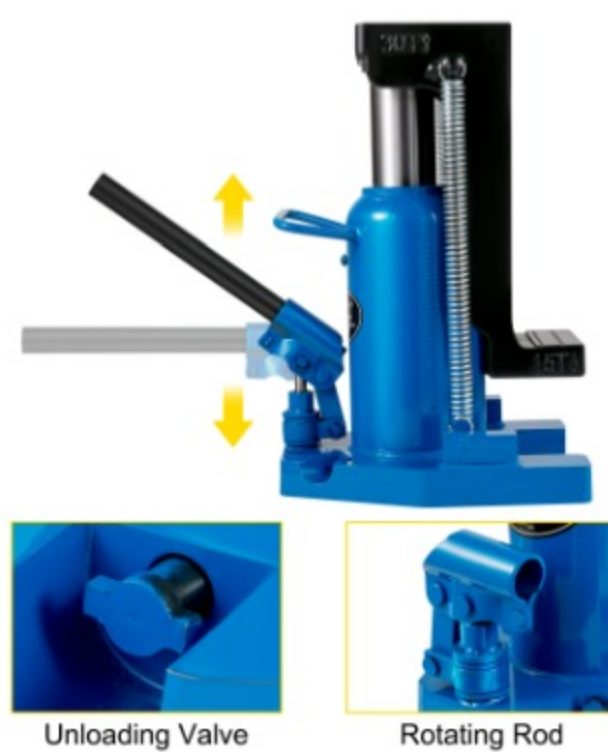
15 Tons/33069 Lbs lift capacity from the toe, 30 Tons/66138 Lbs lift capacity from the top of the jack. Max. lifting height: 6.2"/158 mm.

### Durable Spring & Toe

Thickened compact springs are featured of fast retraction and long service life. One-piece molding claw is non-slip, stable, and not easy to break.

### High-Quality Hydraulic System

The larger oil filling hole makes oil filling more stable. Built-in two rugged steel rings are wear-resistance. The piston rod and the inner rod are not in contact, making the inner rod more durable.



### Sturdy Structure

The thickened base is robust, more load-bearing, and more stable. Meanwhile, the auxiliary handle makes the toe jack is portable and convenient to move.

### Convenient Operation

The unloading valve can adjust the rise and fall of the jack. The operating handle is designed to rotate 180 degrees, angle exchange according to different places, which is more convenient.

### Wide Application

This toe jack lift can be used in many situations, such as warehouses, garages, the construction industry, ports. Great for loading goods and repairing cars.



### Specifications

- Model: MHC-15RS
- Type: Hydraulic Machinery Toe Jack
- Ram Material: Welded Steel
- Shell Material: Proprietary Heat-treated Steel
- Toe Capacity: 15 Tons/33069 Lbs
- Top Capacity: 30 Tons/66138 Lbs
- Max. Lifting Height: 158 mm / 6.2"
- Claw Lowest Position: 30 mm
- Claw Width E: 130 mm
- Claw Length F: 60 mm
- Weight: 123 lb/ 56 kg



### Package Content

- 1 X Hydraulic Toe Jack
- 1 X Manual