

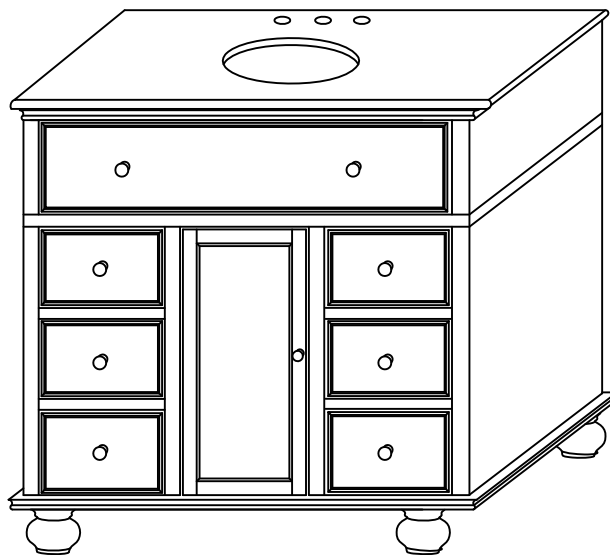
# HOME DECORATORS COLLECTION

BF-22267 HAMPTON BAY COLLECTION SINK CABINET

INV#41294

## ASSEMBLY INSTRUCTIONS

Made In China



### PRODUCT SPECIFICATION:

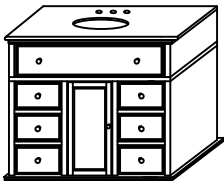
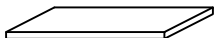


- SOLID HARD WOOD FRAME
- NATURAL GRANITE TOP PRE-ASSEMBLED
- STYLISH WHITE PORCELAIN BASIN INCLUDED
- (28W x 22D x 39H) INCH
- N.W.: 154LBS G.W.:162LBS

Thank you for purchasing this quality product. Be sure to check all packing material carefully for small parts, which may have come loose inside the carton during shipment. Count all parts and material hardware and then compare with parts list to be sure all parts are present. If any parts are missing or damaged, phone, fax, or mail to our Customer Service Department for efficient and speedy service. Please indicate the model number and code letter of part(s) needed.

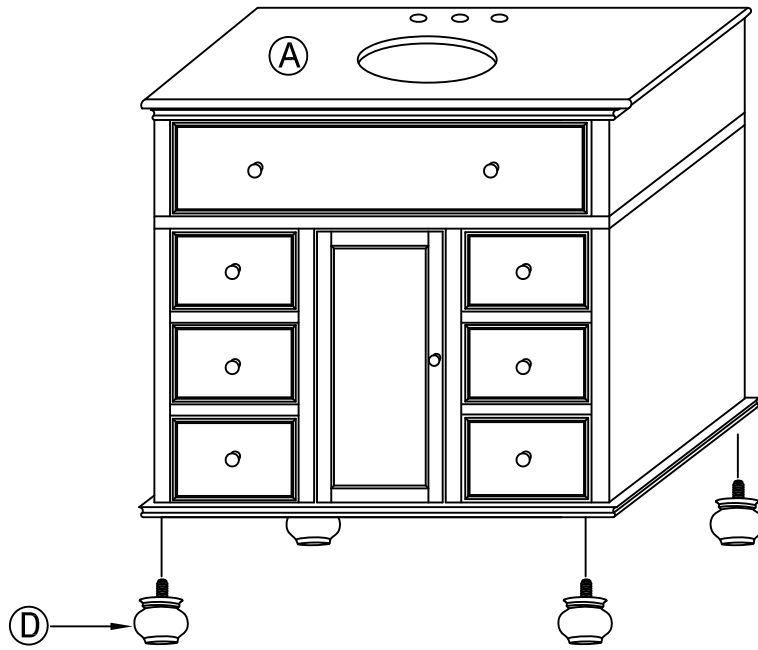
NOTE: Upon opening thoroughly clean all woods surfaces to remove dust and dirt that may have settled onto finish during shipment. In order to prevent damage during assembly, please assemble this item with at least four people.

IMPORTANT NOTE: Follow instructions listed below in proper sequence as numbered to assure fast, easy and correct assembly.

## PARTS LIST

<p style="font-size: 24px; font-weight: bold; margin: 0;">A</p> <div style="text-align: center; margin: 10px 0;">  </div> <p style="text-align: center; margin: 0;">SINK CABINET-1PC</p>	<p style="font-size: 24px; font-weight: bold; margin: 0;">C</p> <div style="text-align: center; margin: 10px 0;">  </div> <p style="text-align: center; margin: 0;">SHELF-1PC</p>	<p style="font-size: 24px; font-weight: bold; margin: 0;">D</p> <div style="text-align: center; margin: 10px 0;">  </div> <p style="text-align: center; margin: 0;">FEET-4PCS</p>
<p style="font-size: 24px; font-weight: bold; margin: 0;">F</p> <div style="text-align: center; margin: 10px 0;">  </div> <p style="text-align: center; margin: 0;">SHELF SUPPORTS-4PCS</p>		

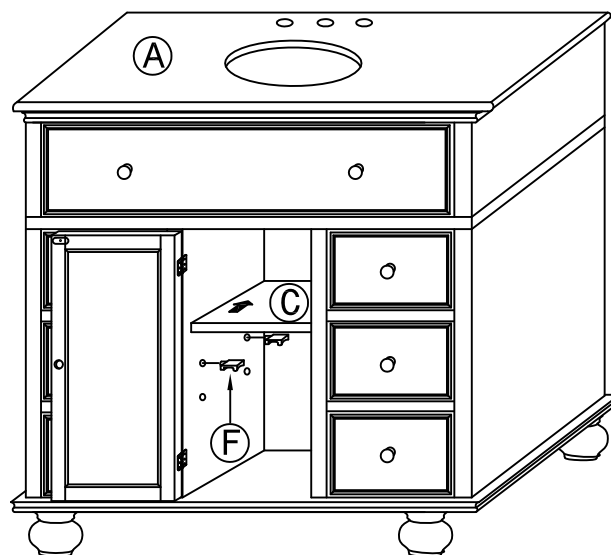
NOTE: THE SURFACE WITH THE STICKER IS THE BACK SIDE.



NOTE: THE FEET (D) HAVE ASSEMBLE THE ADJUSTER

### 1) .ASSEMBLE THE FEET (D) .

- FIRSTLY, PLACE SINK CABINET (A) UPSIDE DOWN ON A CLEAN SMOOTH SURFACE. ROTATE THE 4 FEET (D) INTO THE HOLES IN THE SINK CABINET (A) .



### 2) .ASSEMBLE THE SHELF (C) .

- INSERT THE 4 SHELF SUPPORTS (F) INTO HOLES IN STAND PANEL .
- FINALLY, PUT THE SHELF (C) ONTO THE SHELF SUPPORTS (F) .