

Installation

The commercial refrigerator should be installed in accordance with local electrical code requirements. The commercial refrigerator should also be placed in a location that is strong enough to support its total weight, keeping in mind that it will weigh substantially more when fully loaded than when empty. **Before you plug the commercial refrigerator into a power supply, be sure to let it stand upright for at least 24 hours to allow the compressor's oils to settle.**

Unpacking the Commercial Refrigerator



Warning: Use two or more people to move and install the commercial refrigerator. Failure to do so can result in back or other injury. Carefully remove the packaging materials. Remove any shipping tape and glue from your commercial refrigerator before use. Do not use sharp instruments, rubbing alcohol, flammable fluids, or abrasive cleaners to remove tape or glue. These products can damage the surface of your commercial refrigerator.



Warning: Do not remove any safety, warning, or product information labels from your commercial refrigerator.

Types of Installation

This commercial refrigerator has been designed for freestanding or built-in installation. In each case, there must be adequate ventilation and access for service.

Freestanding Installation:

A freestanding installation will allow you to install the commercial refrigerator in almost any place you desire. You must follow the stated instructions for electrical requirements and leveling the commercial refrigerator.

Built-in Installation:

A recessed installation will allow you to install the commercial refrigerator under a counter or in a kitchen cabinet as long as the required clearance space around the commercial refrigerator is provided. It is necessary to allow adequate ventilation space around the unit, including at the back of the unit.

The following additional items must be observed:

1. Place the commercial refrigerator in front of the installation location. Adjust the feet and place the unit flat on the floor or on a platform depending on your installation requirements.
2. Install the sealing strip if desired.
3. If the electrical outlet is behind the cabinet, plug in the commercial refrigerator.
4. Push the commercial refrigerator into position.



Warning: DO NOT install the commercial refrigerator behind a closed cabinet door.

Clearance Requirements

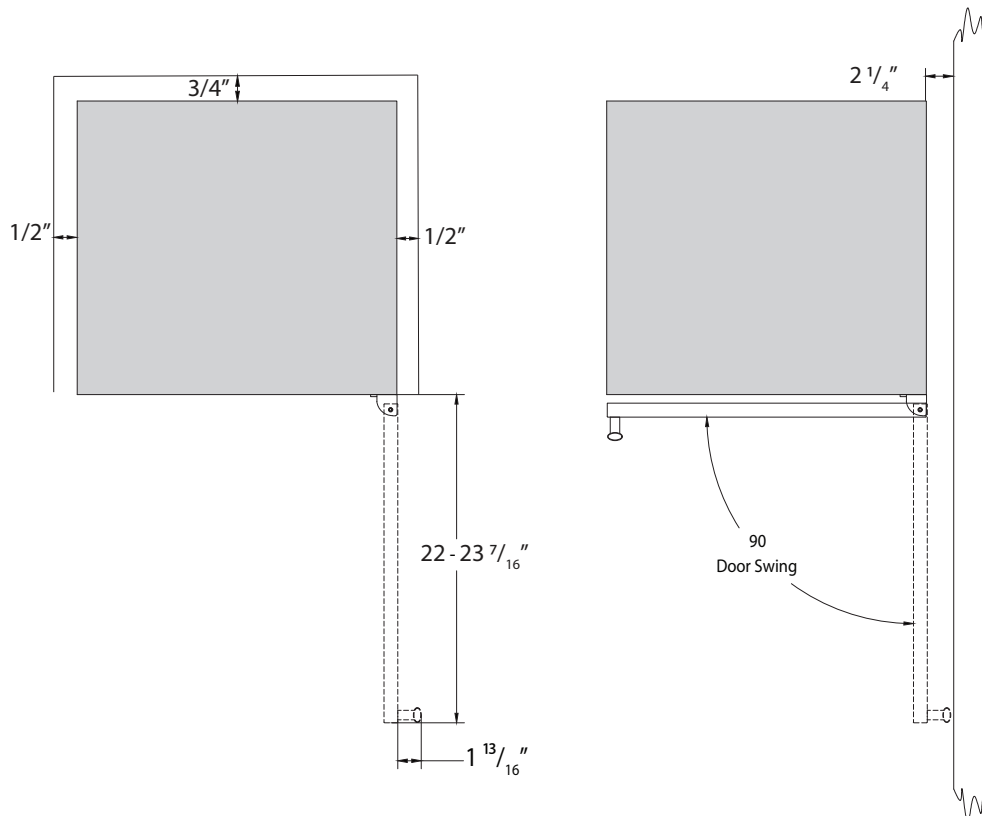
Notes:

- Choose a location that has ambient temperatures above 50° F and below 90° F. Operation outside these temperatures may result in lowered efficiency or cause other adverse effects.
- This unit **MUST** be installed in an area protected from the elements, e.g. wind, rain, water spray or drips.
- The refrigerator should not be located next to ovens, grills, or other heat sources.
- Do not kink or pinch the power supply cord between the commercial refrigerator and the wall or cabinet.

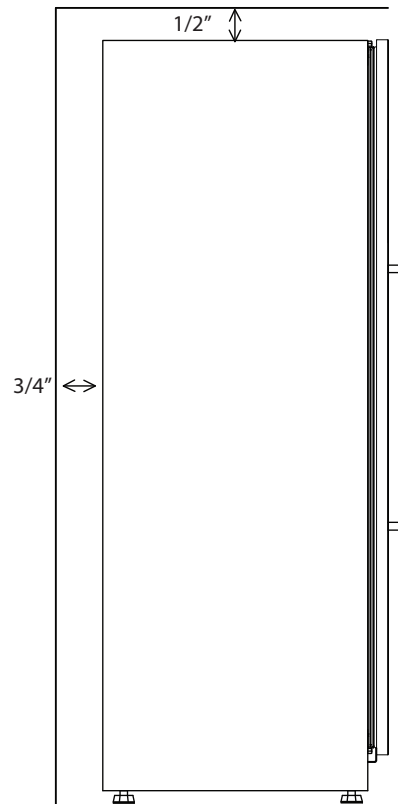
When installing the commercial refrigerator with a built-in installation, follow the recommended spacing dimensions shown.

To ensure proper service access and ventilation, allow at least 3/4" of clearance at the back, 1/2" at the top, and 1/2" at the sides. If the door side is against a wall, allow at least 2 1/4" of clearance. The installation should allow the unit to be pulled forward for servicing, if necessary.

Top View:



Note: The width of the door will vary depending on the model. See specifications section on page 21 for dimensions.

Side View:

Note: The commercial refrigerator should be installed on a firm and level surface that will be able to support the entire weight of a fully loaded unit. It is important for the commercial refrigerator to be level in order to work properly. If needed, you can adjust the height of the commercial refrigerator by rotating the feet. See the “Leveling the Commercial Refrigerator” section.



Note: A standard electrical supply (115 VAC only, 60 Hz), properly grounded in accordance with National Electrical Code and local codes and ordinances, is required.

Electrical Requirements

ELECTRIC SHOCK HAZARD!



- Plug into a grounded 3-prong outlet.
- Never remove the grounding prong from the plug.
- Never use an adapter to bypass the grounding prong.
- DO NOT use an extension cord.
- Failure to follow these instructions can result in fire, electrical shock, or death.

Before you move your Commercial refrigerator into its final location, it is important to make sure you have the proper electrical connection:

A standard electrical supply (115 V, 60Hz), properly grounded in accordance with the National Electrical Code and local codes and ordinances is required.

It is recommended that a separate circuit, serving only your commercial refrigerator, be provided. Use receptacles that cannot be turned off by a switch or pull chain.

The fuse (or circuit breaker) size should be 15 Amps.

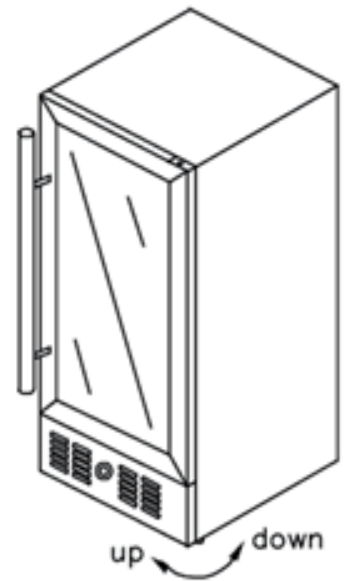
Recommended Grounding Method

For your personal safety, this appliance must be grounded. It is equipped with a power supply cord that has a 3-pronged grounding plug. To minimize possible shock hazard, the cord must be plugged into a mating 3-pronged wall socket and grounded in accordance with the National Electrical Code and local codes and ordinances. If a mating wall socket is not available, it is the personal responsibility of the customer to have a properly grounded, 3-prong wall receptacle installed by a qualified electrician.

Leveling the Commercial Refrigerator

It is important for the commercial refrigerator to be level in order to work properly. It can be raised or lowered by rotating the plastic sheaths around each of the feet on the bottom of the machine. If you find that the surface is not level, rotate the feet until the commercial refrigerator becomes level. You may need to make several adjustments to level it. We recommend using a carpenter's level to check the machine.

1. Place a carpenter's level on top of the product to see if the commercial refrigerator is level from front to back and side to side.
2. Adjust the height of the feet as follows:
Turn the leveling feet to the right to lower that side of the refrigerator.
Turn the leveling feet to the left to raise that side of the refrigerator.



Note: Once you are ready to install the unit in a cabinet or directly on the floor, you must adjust the feet to level the commercial refrigerator.

Installing the Sealing Strips

Four (4) sealing strips have been included with the commercial refrigerator. Two (2) for the front/back, and two (2) for the right/left. Once the sealing strips are fully installed they will create a barrier between the bottom of the commercial refrigerator and the floor that will help prevent dirt, debris, and other contaminants from getting under the refrigerator.

To install the sealing strips:

1. Make sure the leveling legs are properly installed and that the unit is level.
2. Using two or more people, carefully place the commercial refrigerator on its back.
3. Remove a sealing strip from the packaging.
4. Place the sealing strip on the bottom of the unit around the leveling legs.
5. Make sure that the sealing strip is fully installed and flush with the bottom of the refrigerator.
6. Repeat steps 3-5 for the remaining sealing strips.
7. Carefully return the refrigerator to its original upright position.
8. Using a carpenter's level, ensure that the refrigerator is still level.



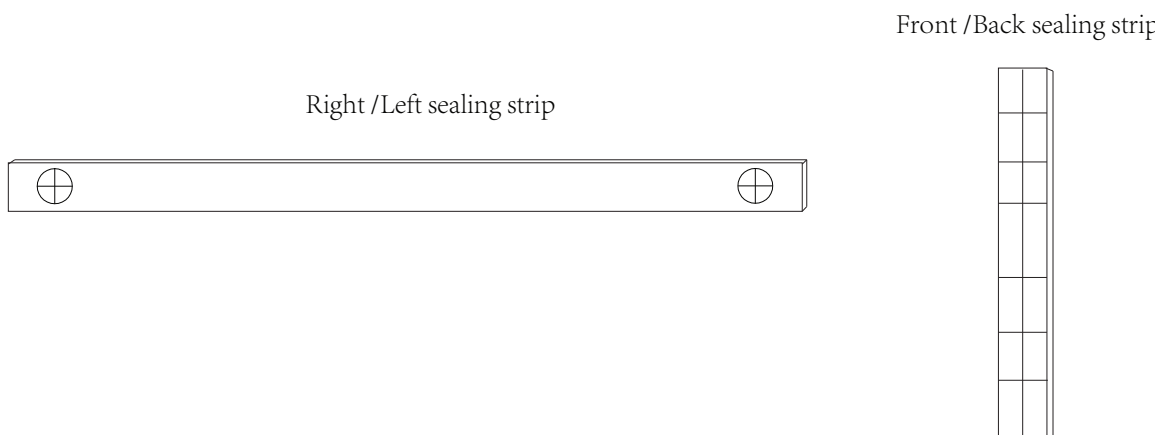
Note: The size of the sealing strips may vary. When installing the sealing strips, please safely remove any excess material, with scissors or a similar cutting tool, so that the sealing strips match the underside of the refrigerator.



Warning: Take care when removing the excess material from the sealing strips. Improper use of a cutting tool can result in injury.



Warning: Use two or more people to move and install the commercial refrigerator. Failure to do so can result in back or other injury.

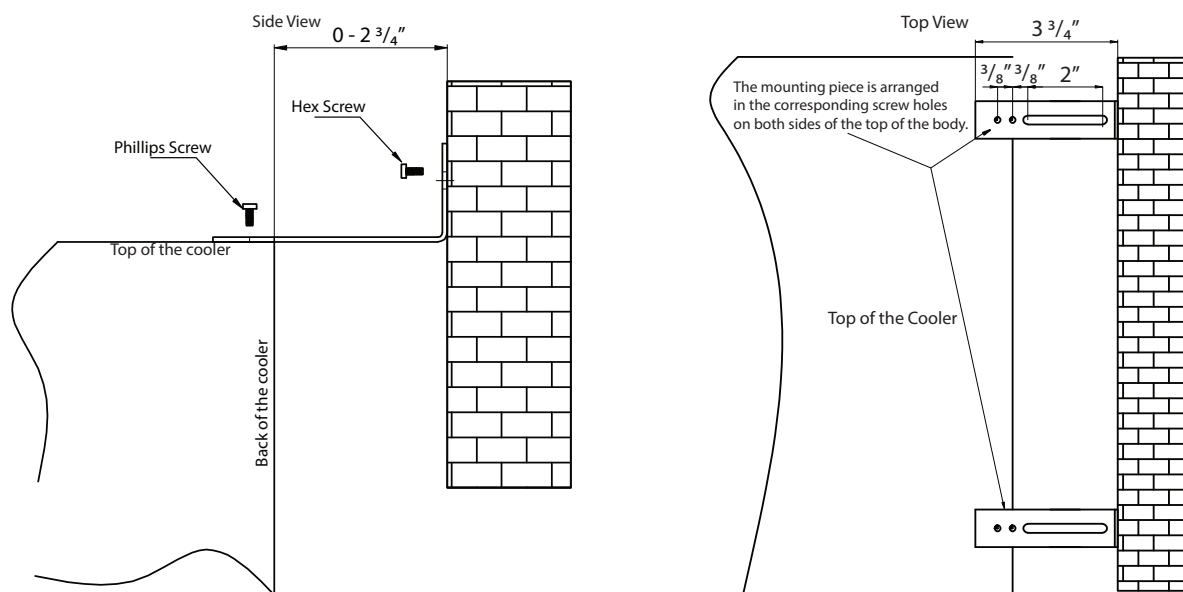


Installing the Anti-Tip Brackets

The refrigerator comes with anti-tip brackets to secure the top of the cooler to the wall behind it. Instructions are provided below for installing the Anti-Tip Brackets.

To install the Anti-Tip Brackets:

1. Determine the distance behind the unit you will want for your installation.
2. Secure the brackets to top of the unit using one (1) provided Phillips screw in each bracket.
3. Secure the brackets to the wall using one (1) provided hexagon screw in each bracket.



Note: The Anti-Tip Brackets are optional and are not a requirement for installation.

Installing the Door Handle

To install the door handle:

1. Open the door and carefully pull the door gasket around the area where the handle is to be installed.
2. Carefully remove the two pre-installed decorative plugs from the front of the door.
3. Insert each Phillips head screw through the gasket side of the door until the screw passes through the door.
4. Align the handle with the screws and tighten using a Phillips head screwdriver until the handle is flush against the door frame.
5. Carefully press the door gasket into its original position.



Note: Some commercial refrigerators do not have decorative plugs installed.



Caution: Do not over-tighten the screws as this may cause damage to the handle or to the stainless steel door.

Installing and Removing the Shelves

To prevent damaging a door gasket, make sure to open the door all the way before pulling the shelves out of their track.

To Install the Shelves:

1. Open the door completely.
2. Place the back of the shelf on the desired shelf track.
3. Slide the shelf into the commercial refrigerator until it reaches the plastic stopper.
4. Press down the plastic stoppers on both sides of the refrigerator simultaneously and slide the shelf past the stoppers.
5. Fully insert the shelf into the unit.

To Remove the Shelves:

1. Open the door completely.
2. If necessary, make sure you remove all the contents on the shelf.
3. Press down the plastic stoppers on both sides of the refrigerator simultaneously and slide the shelf past the stoppers.
4. Continue to pull the shelf forward until it is completely removed from the inner compartment.

Reversing the Door Swing

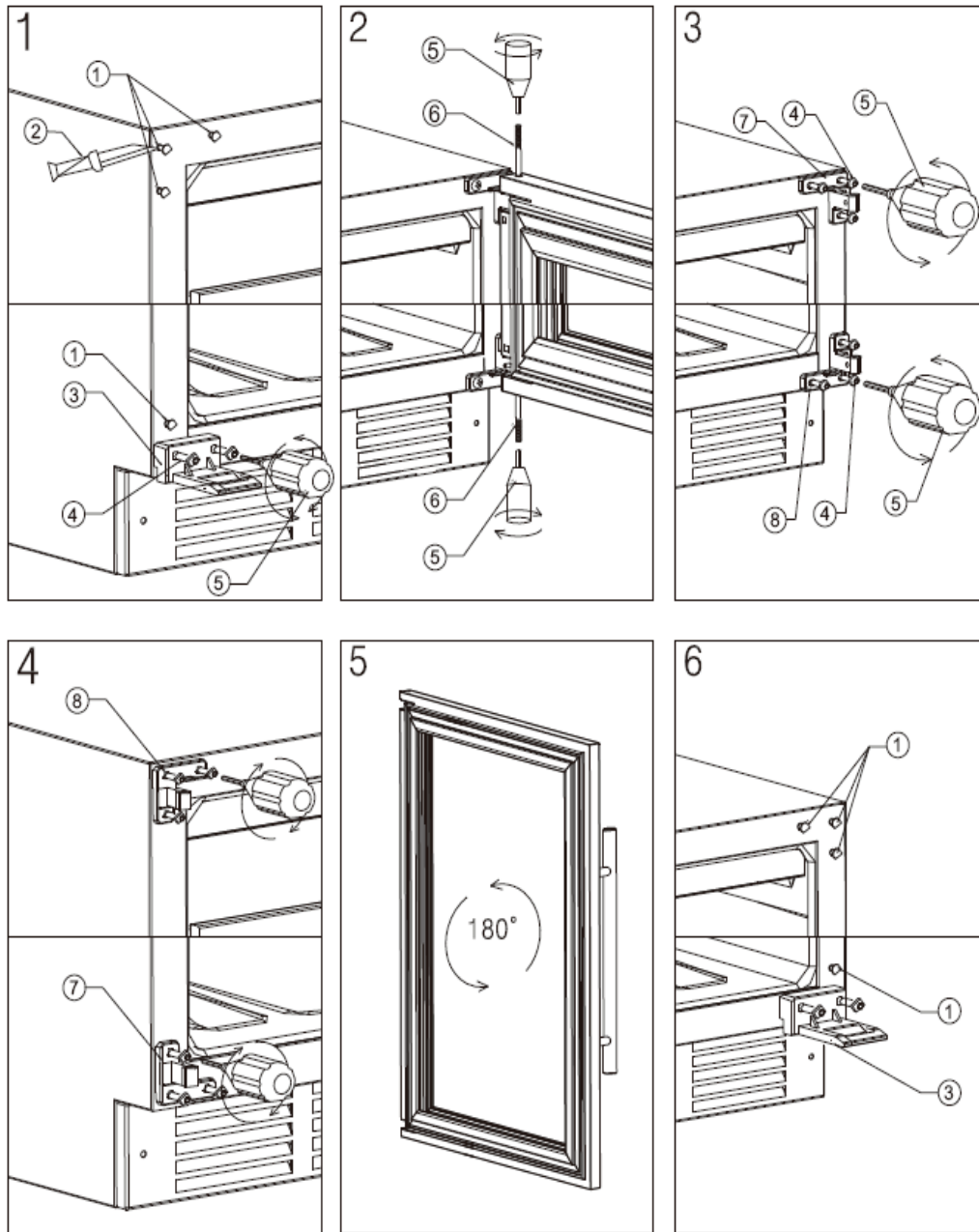


Warning: Before you begin, unplug the Refrigerator.



Warning: Use two or more people to reverse the door swing of the commercial refrigerator. Failure to do so can result in back or other injury.

- 1a. Using a flathead screw driver or flat blade, carefully pry off the decorative plugs on the opposite upper side of the cabinet.
- 1b. Using a M5 hex key (Allen wrench), remove the lower door support from the opposite bottom side of the cabinet.
2. While another person holds the door, use a M5 hex key, remove the door hinge pins from the top and bottom of the door. Using two or more people, remove the door and set aside.
3. Using a M5 hex key, remove the upper and lower door hinge.
4. Install the upper and lower door hinge on the opposite side of the cabinet.
5. Rotate the door 180° and install the door by securing the door hinge pins into the upper and lower door hinge as well as the door.
6. Install the lower door support and decorative plugs on the opposite side of the cabinet.



1. Decorative plug	2. Flat blade	3. Lower door support	4. M5 hex screw
5. M5 hex key	6. Door hinge pin	7. Upper door hinge	8. Lower door hinge