



Décor Oval with Wood DR32



Thank you for choosing Enclume!

Enclume racks are the ultimate quality, design, strength and function.

WARNING: READ ALL OF THE INSTRUCTIONS BEFORE ASSEMBLING AND USING YOUR RACK

Enclosed you will find everything needed for the assembly and use of your storage rack. Two people make assembly and installation easier. The parts and hardware included are:

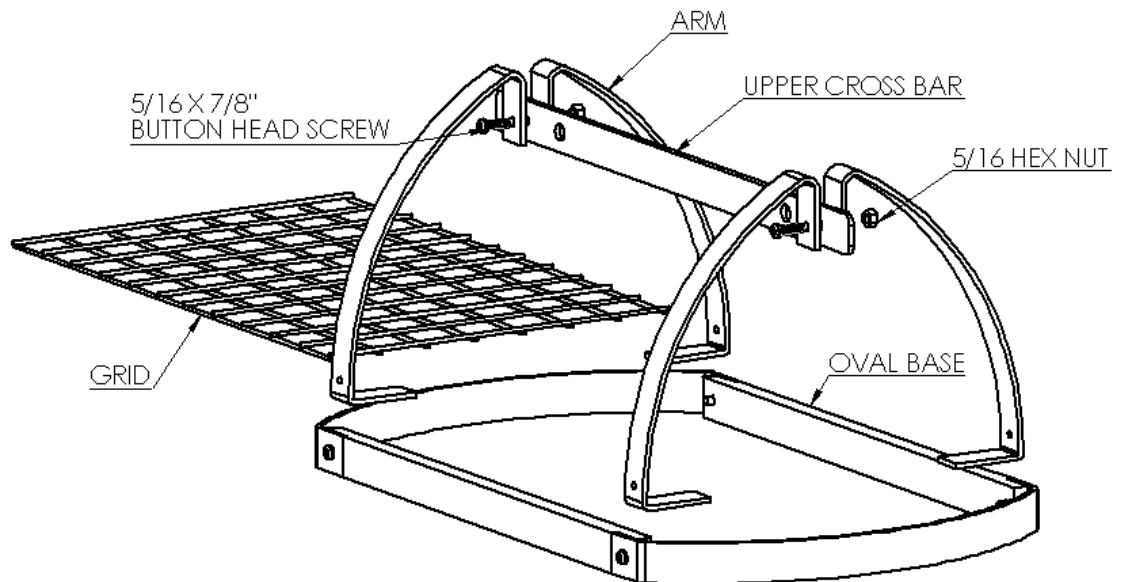
Hardware included:

- 2 – Ceiling Screw Hooks
- 4 – 1"1/4 x 5/16" Button Head Screws
- 2 – 7/8" x 5/16" Button Head Screws
- 2 – 5/16" Hex Nuts
- 1 – 3/16" Allen Wrench
- 1 – Toggle Pack (dry wall anchors)
- 2 – 5" Extension Hooks

Components included:

- 1 – Oval Base
- 4 – Arms
- 1 – Upper Cross Bar
- 1 – Grid
- 6 – Angled Pot Hooks
- 6 – Straight Pot Hooks

If you need help, please call 1-877-ENCLUME
Enclume Design Products
24 Colwell Street, Port Hadlock, WA 98339
Phone 360-385-6100 • Fax 360-385-6156
www.enclume.com



See reverse side for ASSEMBLY AND INSTALLATION INSTRUCTIONS



ASSEMBLY AND INSTALLATION INSTRUCTIONS

Rack Assembly

- 1) Locate the hardware bag containing the button head screws and allen wrench. Loosen one of the button head screws on the oval a few turns to allow for attaching the arm/grid bracket on the inside of the rack with the L on the arm facing inward. Using the loosened button head, screw into the tapped hole on the arm. Do not tighten. Repeat for each of the remaining 3 arms.
- 2) Attach the arms to the upper cross bar with the 7/8" x 5/16" button head screws and the 5/16" hex nuts.
- 3) Square up the rack by aligning the arms so they are perpendicular to the upper and the lower oval. Tighten all of the button head screws.
- 4) Place the grid on the "L" brackets.
- 5) Place the 5" extension hooks in the holes on the upper cross bar to hang from your installed ceiling screw hooks or eyebolts.
- 6) For your safety, distribute your cookware evenly. Hang your pot hooks from the interior squares only. **Do not** hang them from the perimeter or the cut portions of the grid.

Installation:

- 1) We recommend that you anchor your rack into the solid wood of ceiling joists or beams. Carefully measure the area where the rack is to be hung and install the ceiling screw hooks directly into the wood joists. If you have a special situation such as steel joists or masonry, please contact your local hardware store or contractor for expert advice.
- 2) If it is not convenient to hang your rack directly into wood joists you may use the included DRYWALL anchors enclosed in the toggle pack included with your rack. Follow Toggler® brand manufacturer recommendations for weight limits included in the instructions in the Toggler kit.



It is important that your rack is assembled correctly. If the unit is not assembled correctly or is used improperly, it could become unstable, possibly causing injury.

Limited Warranty: This product is warranted to be free of material defects for a period of five years from the date of purchase. Customer's exclusive remedy shall be the repair or replacement of the defective product and shall be subject to the following conditions: (1) notice of any defect is received by Enclume within the warranty period and (2) customer returns the defective product to Enclume Design Products, 24 Colwell St. , Port Hadlock, WA 98339, *postage prepaid* within 20 days following a return authorization number (which may be obtained by telephoning the number at the top of this instruction) being provided to the customer by Enclume. There are no other warranties, expressed or implied. **THERE ARE NO WARRANTIES OF MERCHANTABILITY OR FITNESS FOR A PARTICULAR PURPOSE. ENCLUME SPECIFICALLY DISCLAIMS ANY AND ALL INCIDENTAL OR CONSEQUENTIAL DAMAGES ARISING OUT OF THE PURCHASE OR USE OF ENCLUME'S PRODUCTS.**