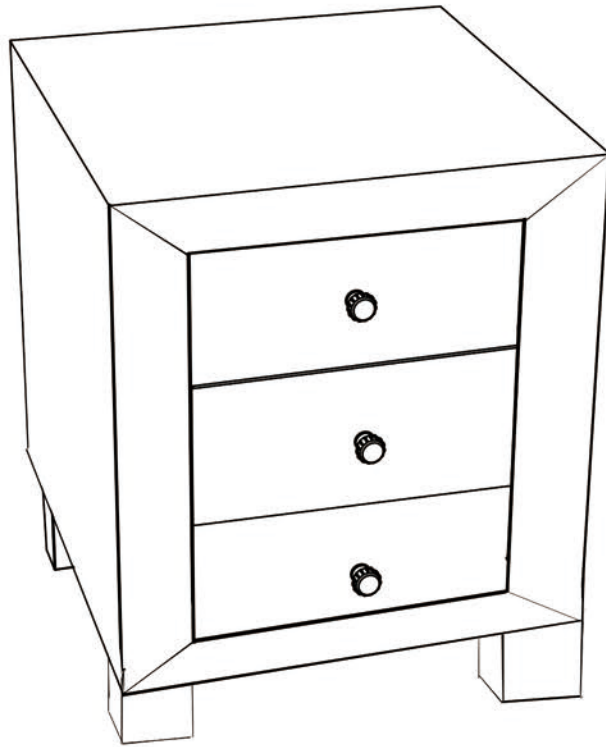


G13000116



Hardware List

A



Screw and washer (3pcs)

B



Knob (3pcs)

C



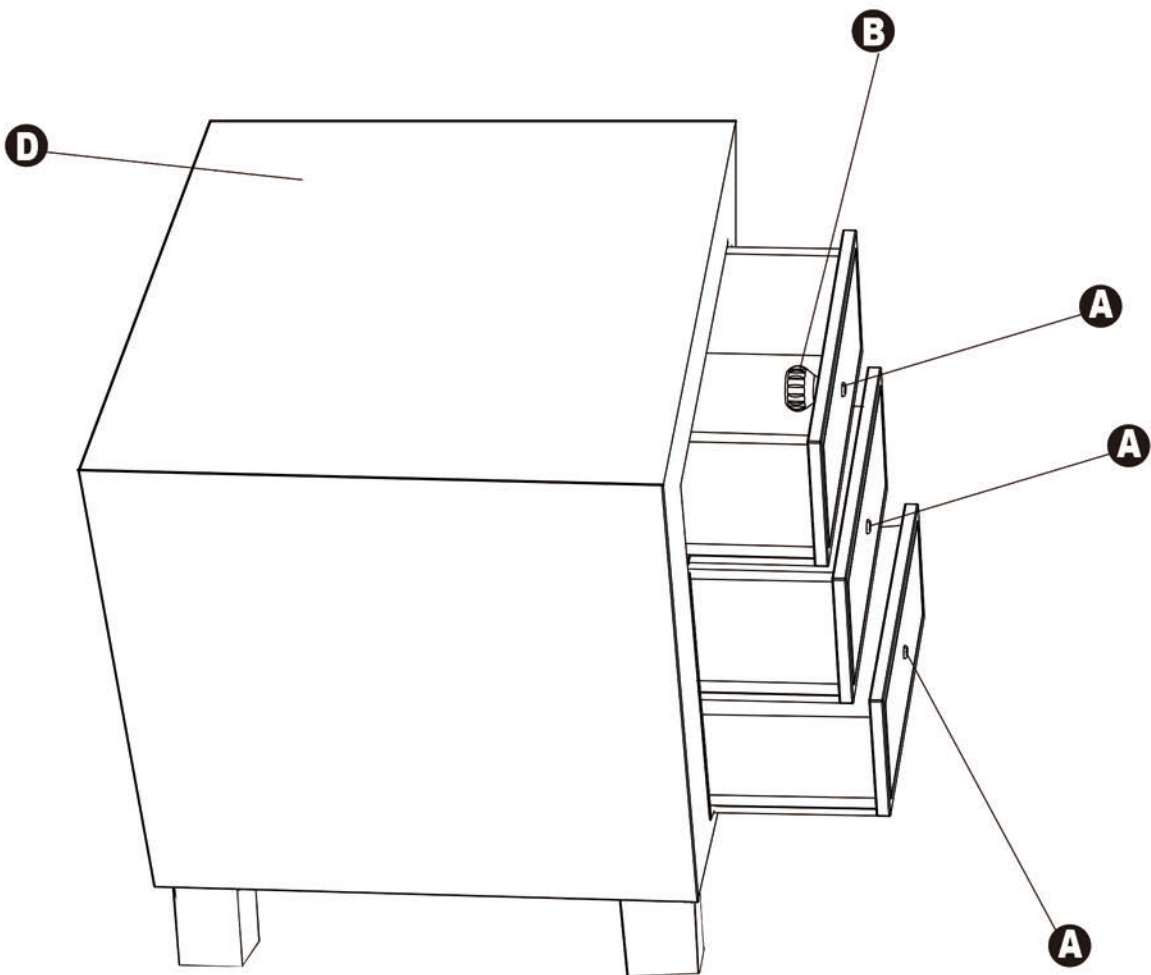
Polishing cloth (1pcs)

D



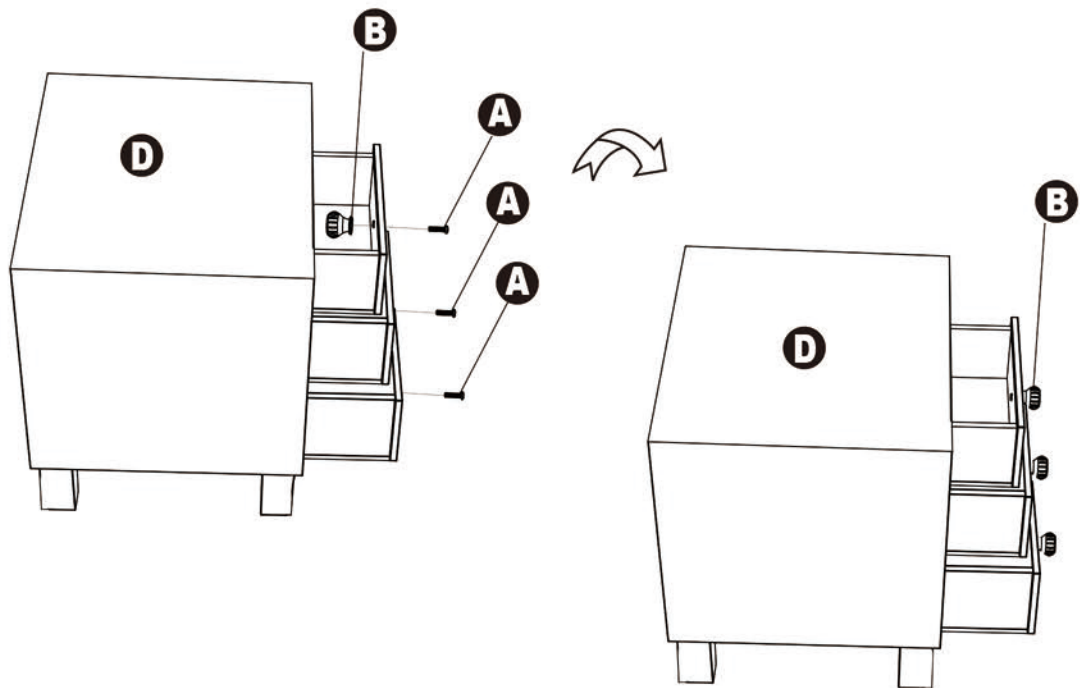
Mirror end table (1pcs)

Step 1



Step 2

*Change the knobs from inside to outside.



Step 3

*Finish and enjoy.

