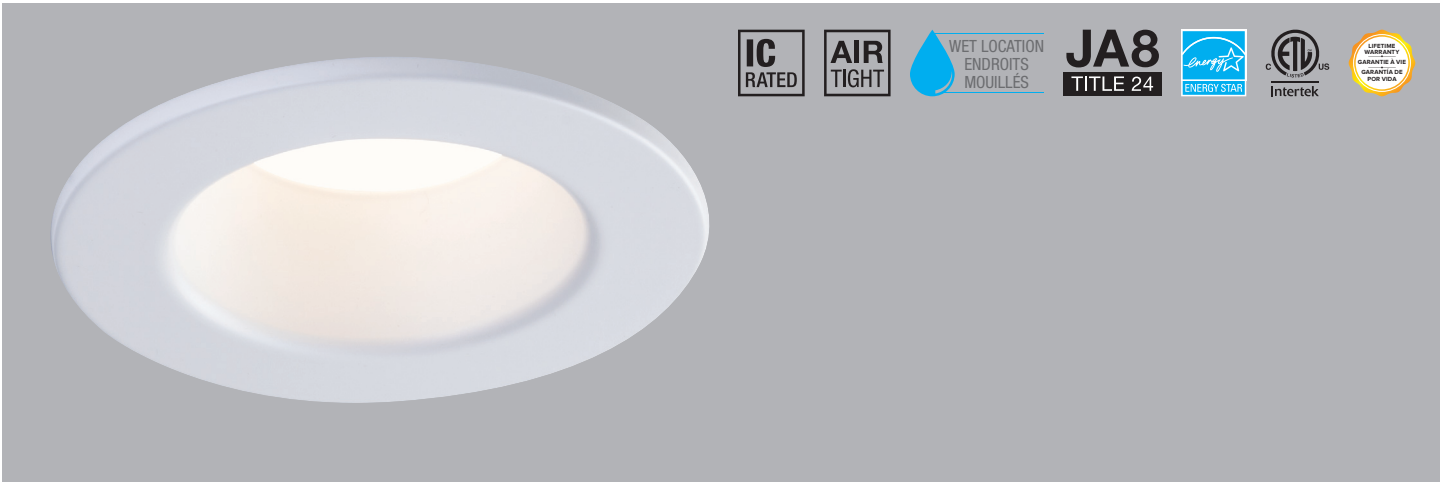


# SPEX LIGHTING CO.

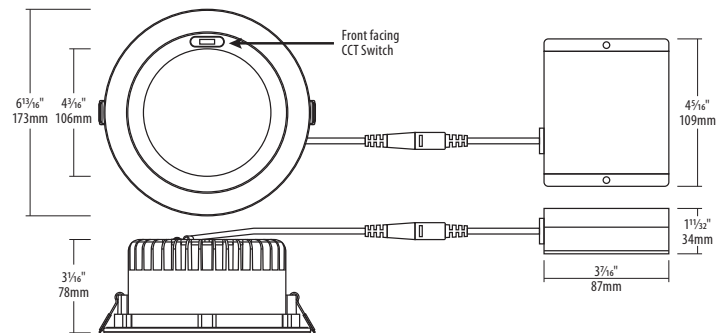
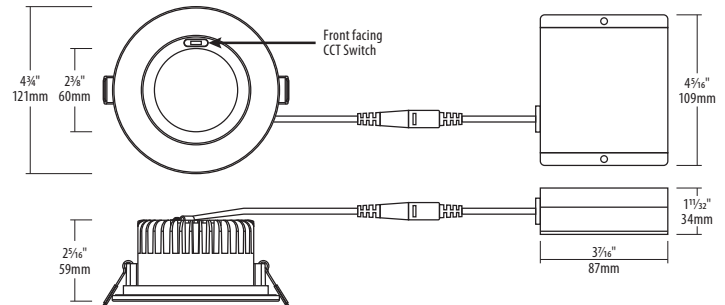
## 4" & 6" BAFFLE Recessed Light, Color Selectable



### Features

- Regressed light for low glare
- 5-Position CCT selectable switch
- Adjustable from below the ceiling
- Interchangeable magnetic trim
- Available in 4" and 6"
- Suitable for wet locations
- Ideal for residential and light commercial spaces

### Technical Drawings



TECHNICAL DATA	
Application	Ceiling Recess Mount
Approved Location	Wet / Insulated Ceiling / Indoor / Outdoor
Beam Angle	4": 75° / 6": 80°
CCT	2700 K / 3000 K / 3500 K / 4000 K / 5000 K (via CCT switch)
Certification	cETLus
Class II	Yes
Color	White (other accessory colors available)
CRI	90
Dimming	Yes
Dimming Technology	Forward/Reverse phase / TRIAC / ELV
Hole Cut	4" : Ø 4 1/4" (108mm) 6" : Ø 6 1/4" (159mm)
Input	100-135V AC, 60 Hz
LM79	Yes
LM80	Yes
Lumens	4": up to 900 6": up to 1520
Lumens per Watt	Up to 100
Power Factor	>0.9
Projected Life	70% @ 50,000 hours
Title 24	JA8 (up to 4000 K)
Warranty	Lifetime
Wattage	12W / 16W

**Notes:** Due to our continued efforts to improve our products, product specifications are subject to change without notice.

A division of  
Une division de

**LITELINE CORPORATION**  
P 416-996-1856 | 1-866-730-7704  
F 905-709-5255 | 1-888-738-9736

**SPEXLIGHTING.COM**

Copyright © 2021, Liteline Corporation. All rights reserved.  
REV 1.12.21

## Specifications

### Body

Durable airtight aluminum body with UV stable paint and white PMMA diffuser lens for low glare. Includes silicone gasket for wet location applications. Interchangeable magnetic trim available in black and brushed nickel.

### LED Characteristics

This general application light fixture features a 12 watt (for 4") and 16 watt (for 6") LED module that maintains intensity producing up to 1520 lumens; with a typical CRI of 90. Available with 5 step CCT switch (2700 K, 3000 K, 3500 K, 4000 K, 5000 K).

### Dimming

100%-10% dimming capability. This fixture is compatible with industry standard TRIAC/ELV dimmers (contact factory for listing of compatible dimmers).

### Beam Spread

The fixture lens provides 75° beam spread (for 4") and 80° beam spread (for 6").

### Mounting

Includes two spring loaded clips to attach to any ceiling material. The slim profile allows to be mounted under joists or duct work.

### LED Driver

Extruded aluminum hardwire box with 300mA (for 4") or 370mA (for 6") dimmable class II electronic LED driver with 100-135V AC input. Includes an 18" plenum rated FT6 wire with DC 2.1 connector from driver to fixture.

### Quick Connect Push-in Terminals

Three "Quick Connect" push-in terminals for fast and easy wiring.

### Minimum Starting Temperature

-40°C (-40°F)

### Environment

- Suitable for wet locations.
- Suitable for insulated ceiling applications.
- Suitable for indoor/outdoor applications.

## Models

### SL-SLMB4-CCT5-90WH

4" BAFFLE recessed light, 12W, white interchangeable magnetic trim.

### SL-SLMB4-CCT5-90WH-6

4" BAFFLE recessed light, 12W, white interchangeable magnetic trim, 6-pack.

### SL-SLMB6-CCT5-90WH

6" BAFFLE recessed light, 16W, white interchangeable magnetic trim.

### SL-SLMB6-CCT5-90WH-6

6" BAFFLE recessed light, 16W, white interchangeable magnetic trim, 6-pack.

## Accessories



### SL-SLMB4-RT-BK

Black round trim for 4" BAFFLE.



### SL-SLMB4-RT-BK-6

Black round trim for 4" BAFFLE, 6-pack.



### SL-SLMB4-RT-BN

Brushed Nickel round trim for 4" BAFFLE.



### SL-SLMB4-RT-BN-6

Brushed Nickel round trim for 4" BAFFLE, 6-pack.



### SL-SLMB6-RT-BK

Black round trim for 6" BAFFLE.



### SL-SLMB6-RT-BN

Brushed Nickel round trim for 6" BAFFLE.



### SL-4020U

4" New construction mounting plate.



### SL-6020U

6" New construction mounting plate.



### SL-VBE-3

Vapour barrier.



### SLWZ-DIM-01

Wi-Fi Smart Control with Dimmer, 2.4GHz.



### SLWZ-3WAY-01

Wi-Fi Smart 3-Way Switch, 2.4GHz.