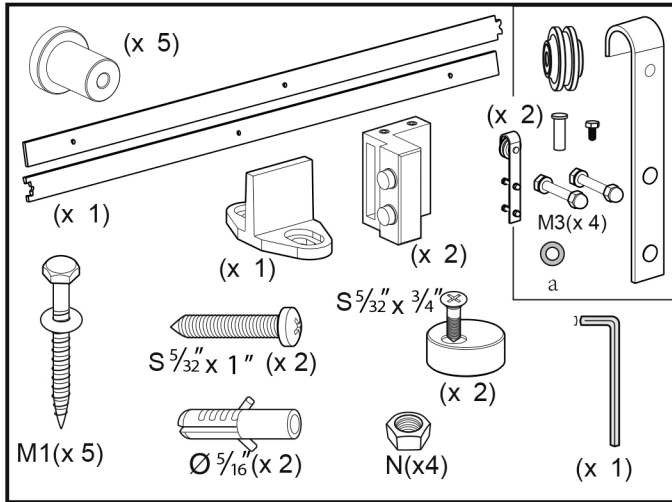
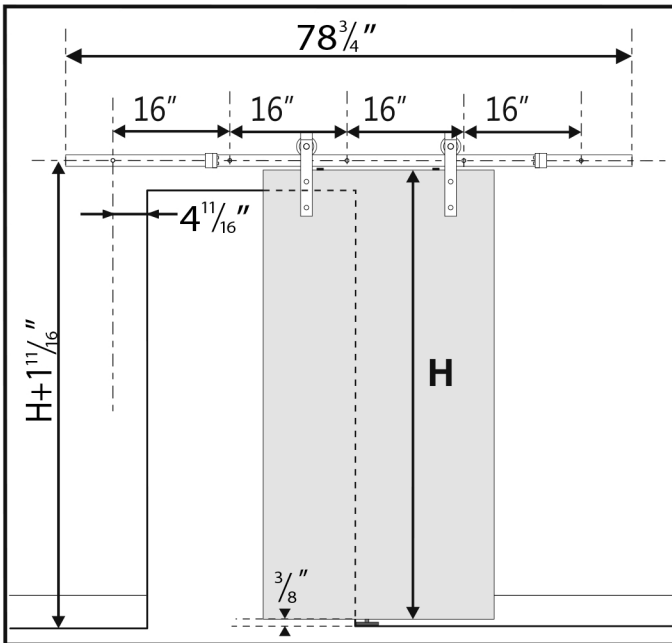


Product Content

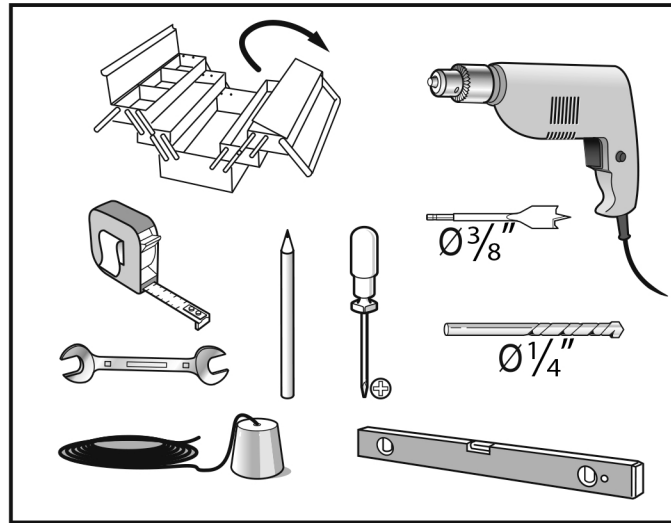


Measurements

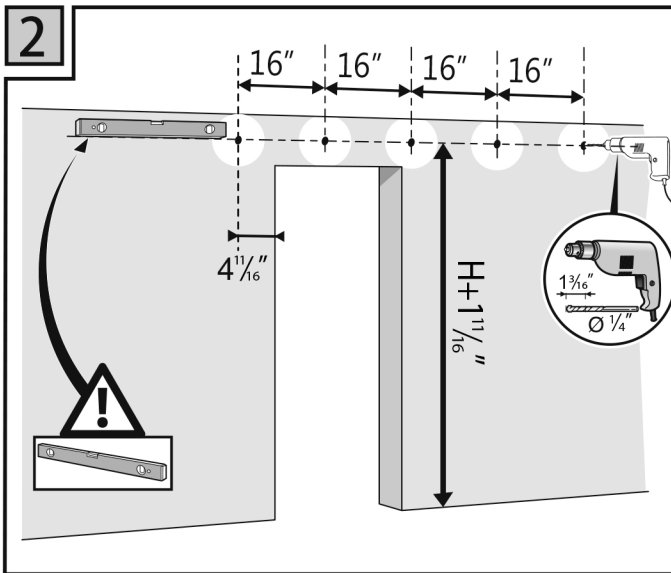


- Ⓐ Overall rail length is $78\frac{3}{4}$ ".
- Ⓑ The gap between each pre-drilled hole is 16".
- Ⓒ Distance from door top side to holes on the wall is $4\frac{11}{16}$ "
- Ⓓ Distance from the bottom of the door to the floor is $\frac{3}{8}$ ".
- Ⓔ Door height is H.
- Ⓕ The height of holes on the wall is $H+1\frac{1}{16}$ ".

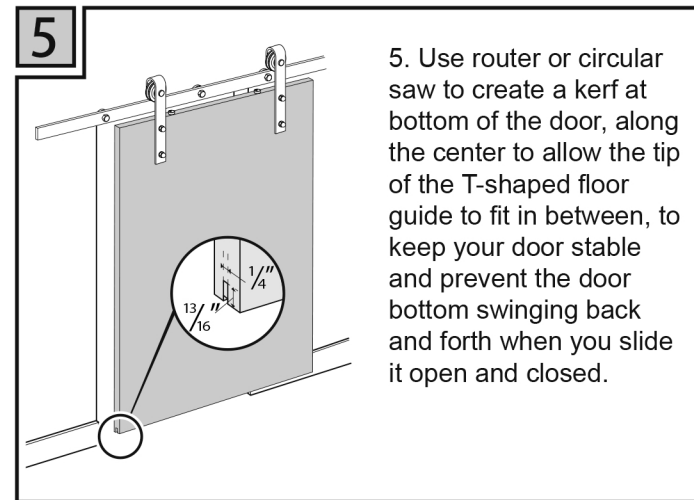
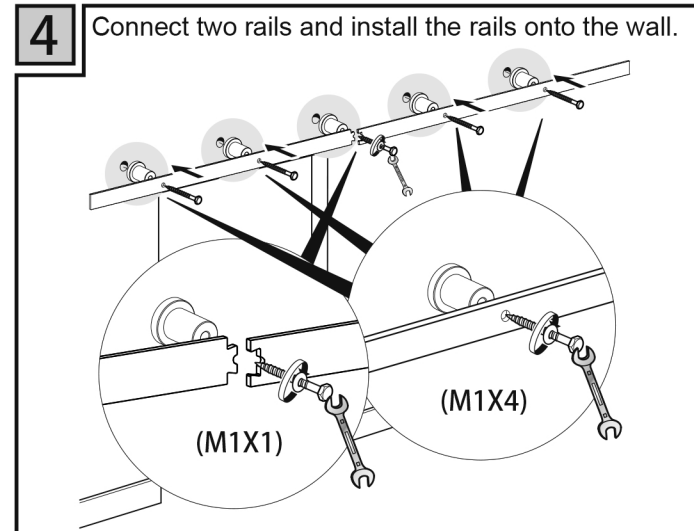
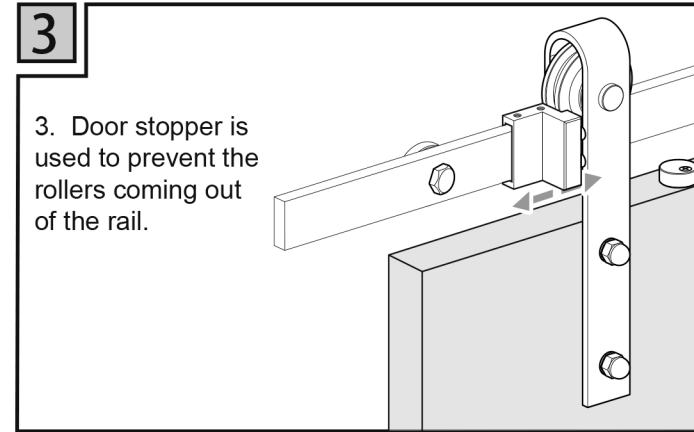
Tools Needed



1 Place the rail against wall, use a pencil to mark where the holes should be. Make sure the height of holes on the wall is $H+1\frac{1}{16}$ ".

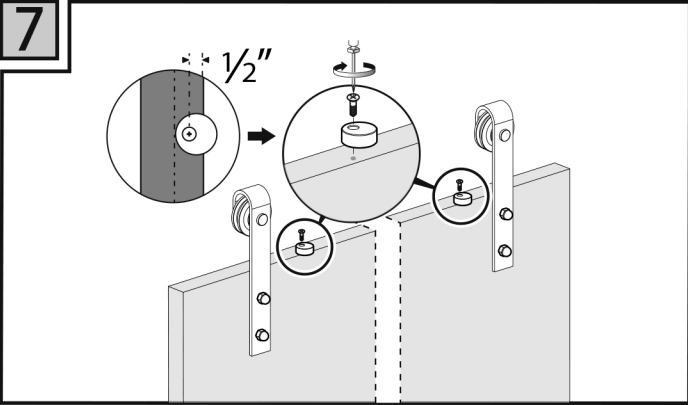
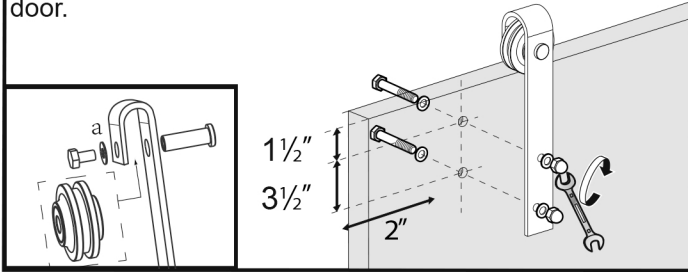


2 If you install the rail onto concrete wall, use Drill bit to drill holes on the wall where pencil mark is. If you install the rail onto wood stud, there is no need to drill holes in this step.



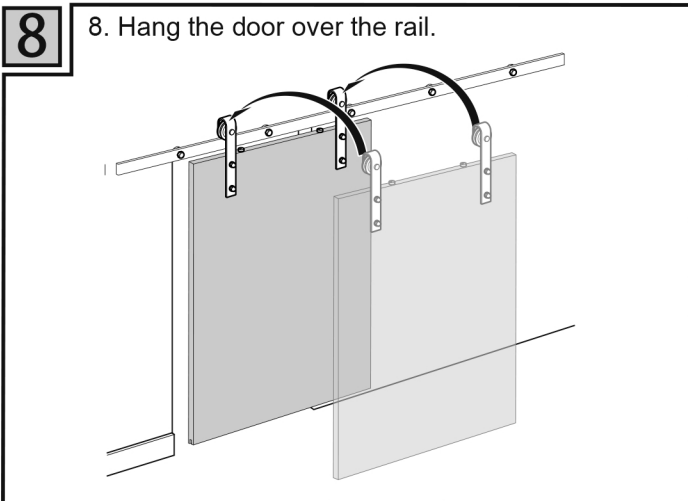
6 6. Install the hangers onto the door according to the measurement in the pictures below.

Maximum door thickness is $1\frac{3}{4}$ ". If your door's thickness is between $1\frac{3}{8}$ " - $1\frac{1}{16}$ ", please use extra Screw N to fit the door.

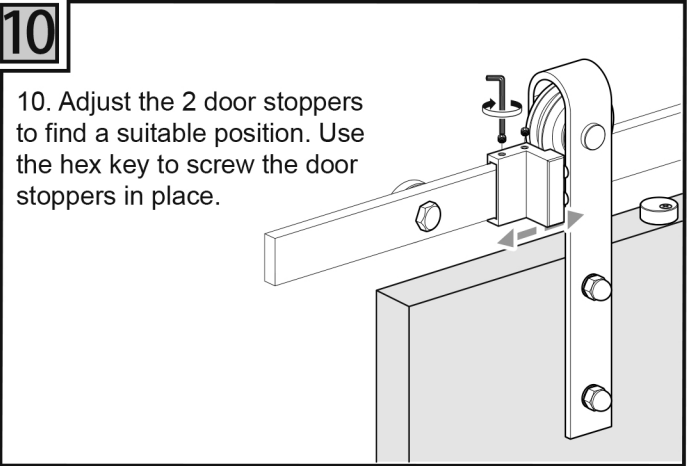
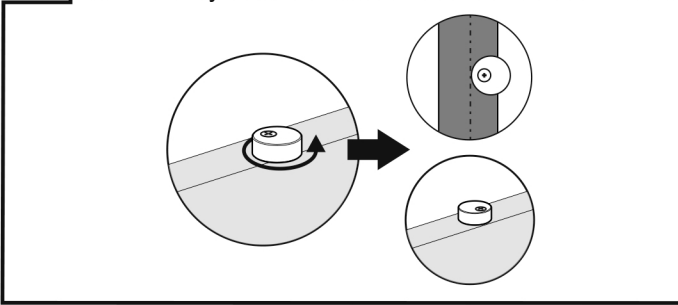


7. The rubber ends are used to protect the door from touching the rail when sliding the door. You need to drill holes on the door top side, please drill the holes $\frac{1}{2}$ " away from the edge of the door. Then install the rubber ends on the door.

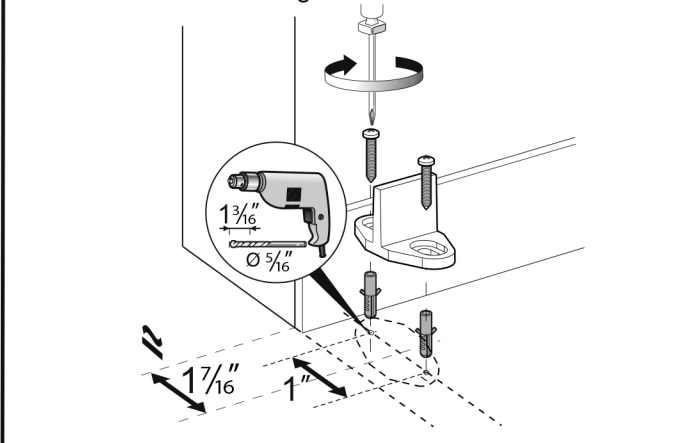
8 8. Hang the door over the rail.



9 9. Turn the rubber ends approximately 180 degrees so that they are stuck between the door and the rail.



11 11. Install the floor guide. Put floor guide on the floor first to fix a suitable position and make a mark so that the tip of the floor guide can work well in the slot. Use drill bit to drill holes on the floor where the mark is, and then install the floor guide.



SLIDING DOOR HARDWARE INSTALLATION MANUAL

