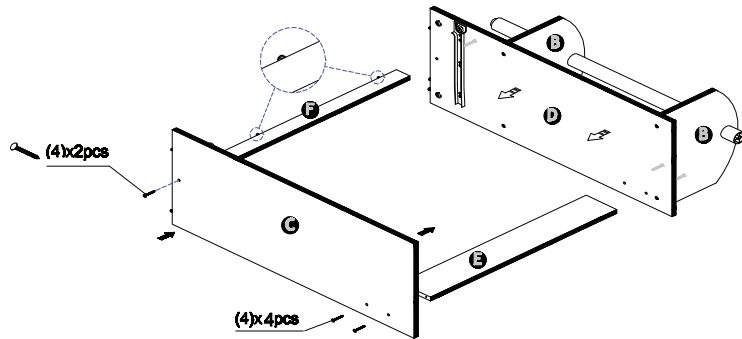


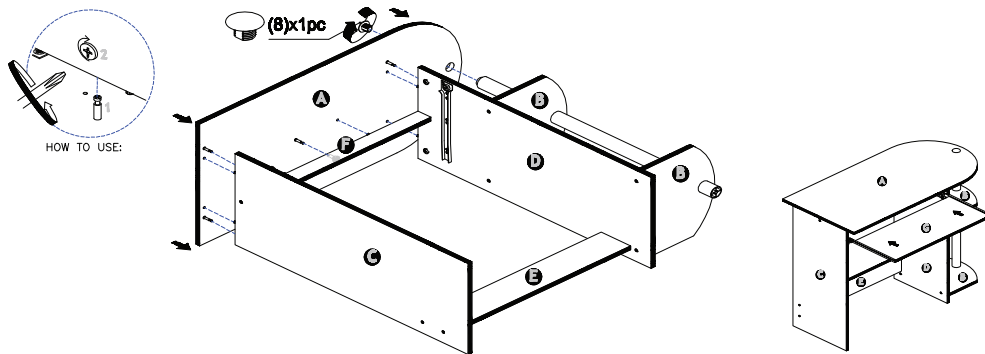
## STEP 5

Attach Panel (C,E,F) to the assembled unit in Step 4 using Large Screw (4), as shown:

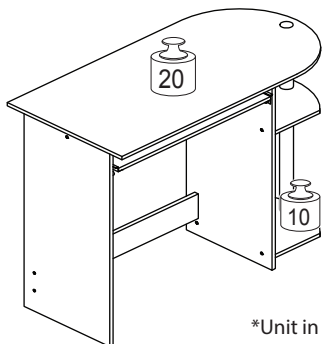


## STEP 6

- 6.1 Attach Top Panel (A) to the assembled unit and tighten Mini Fix Cam (2).
- 6.2 Insert Top Cap (8) and slide in Keyboard Panel (G).



## Recommended Maximum Weight



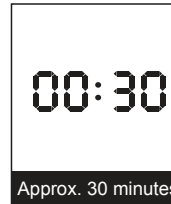
\*Unit in Pound(lbs)

### **WARNING:**

>This unit has been designed to support the maximum loads shown. Exceeding these load limits could cause sagging, instability, product collapse, and/or serious injury.

>DO NOT allow children to climb on unit.

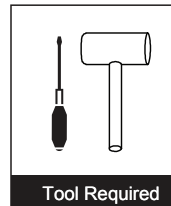
>Put heavier items on lower shelves.



Approx. 30 minutes



Recomm. 2 Person

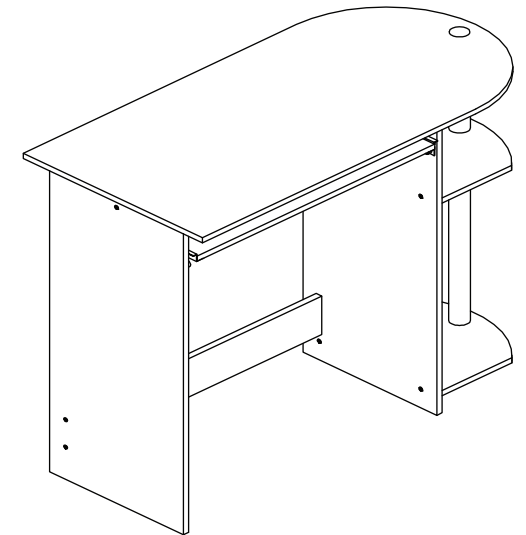


Tool Required

## **Assembly Instruction**

Furinno Computer Desks

MODEL : 14098R1



## **Customer Support**

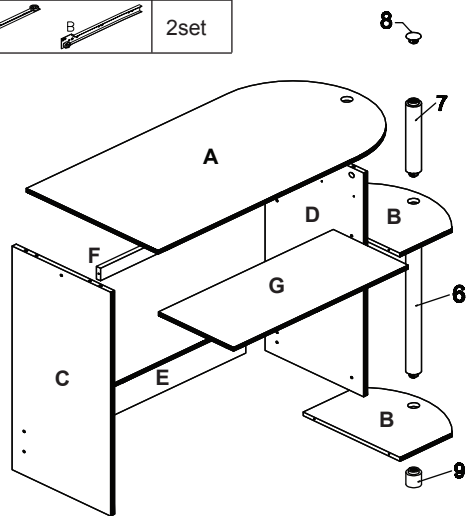
**NEED HELP?** For replacement requests or product inquiries, please contact our Customer Service Team by emailing us at [support@furinno.com](mailto:support@furinno.com). Thank you for selecting Furinno!

[www.furinno.com](http://www.furinno.com)



| No | Hardware List | Qty   |
|----|---------------|-------|
| 1  | Mini Fix Bolt | 5pcs  |
| 2  | Mini Fix Cam  | 5pcs  |
| 3  | Small Screw   | 10pcs |
| 4  | Large Screw   | 10pcs |
| 5  | Dowel         | 6pcs  |
| 6  | Long Pole     | 1pc   |
| 7  | Short Pole    | 1pc   |
| 8  | Top Cap       | 1pc   |
| 9  | Round Leg     | 1pc   |
| 10 | Runner A B    | 2set  |

| No | Parts List       | Qty  |
|----|------------------|------|
| A  | Top Panel        | 1pc  |
| B  | Shelf Panel      | 2pcs |
| C  | Left Side Panel  | 1pc  |
| D  | Right Side Panel | 1pc  |
| E  | Back Bar         | 1pc  |
| F  | Top Bar          | 1pc  |
| G  | Keyboard Panel   | 1pc  |

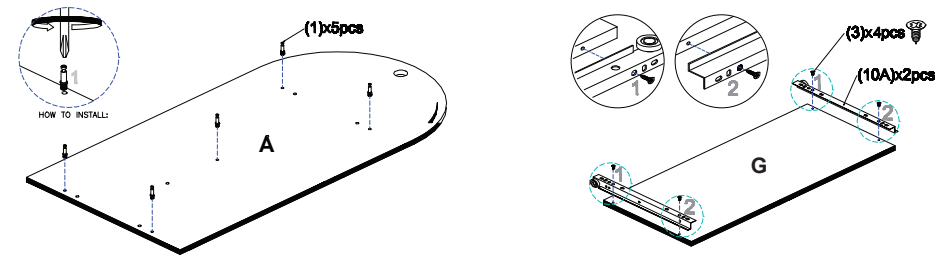


#### USEFUL HINTS BEFORE YOU START:

1. Read each step carefully before starting.
2. It is important that each step is performed in correct order to avoid difficulties.
3. Identify, sort and count the parts before assembly.
4. Assemble your furniture on packaging cardboard to prevent scratch or damage.
5. Clean the product with mild cleanser using soft damped cloth. Do not use harsh or abrasive cleanser.
6. Using incompatible hardware might cause damage to product.

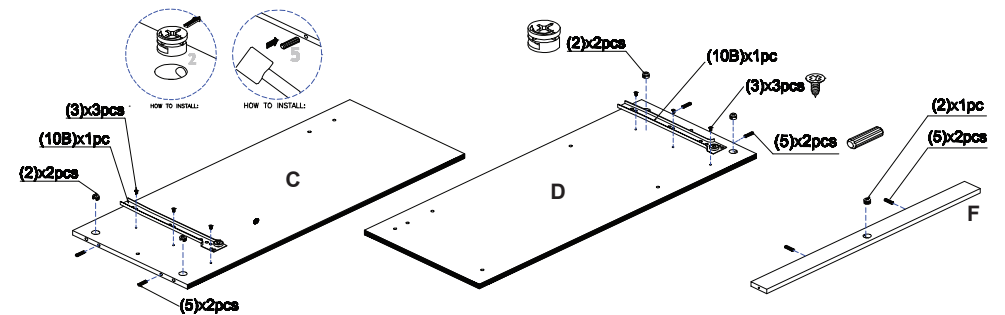
#### STEP 1

- 1.1 Install Mini Fix Bolt (1) on Panel (A).
- 1.2 Install Runner A (10) on Panel G with Small Screw (3).



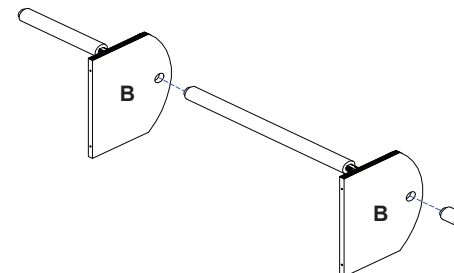
#### STEP 2

- 2.1 Install Runner B (10) on Panel (C,D) with Small Screw (3).
  - 2.2 Insert Mini Fix Cam (2) and Dowel (5) into pre-drilled holes on Panel (C,D & F).
- Note: Arrow on Mini Fix Cam (2) should be pointing outward.



#### STEP 3

Attach Shelf Panel (B) with Pole (6&7) and Round Leg (9), as shown:



#### STEP 4

Attach Right Side Panel (D) to assembled unit in step 3 using Large Screw (4).

