

ASSEMBLY INSTRUCTIONS



CAUTION

◆ Inspect the wire insulation for any cuts, abrasions, or exposed copper that may have resulted during shipping. If there is a defect in the wire, do not attempt installation.

◆ Before starting installation of this fixture or removal of a previous fixture, disconnect the power by turning off the circuit breaker or by removing the fuse at the fuse box.

TOOLS REQUIRED



Ladder



Safety glasses



Electrical tape



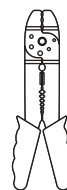
Phillips screwdriver



Flat blade screwdriver

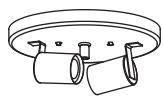


Pliers



Wire strippers

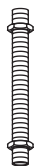
HARDWARE INCLUDED



Fixture



Glass Shade



Threaded Pipe and Hex Nut



Washer



Rubber Ring



Cap



Ball Nuts



Mounting Screws



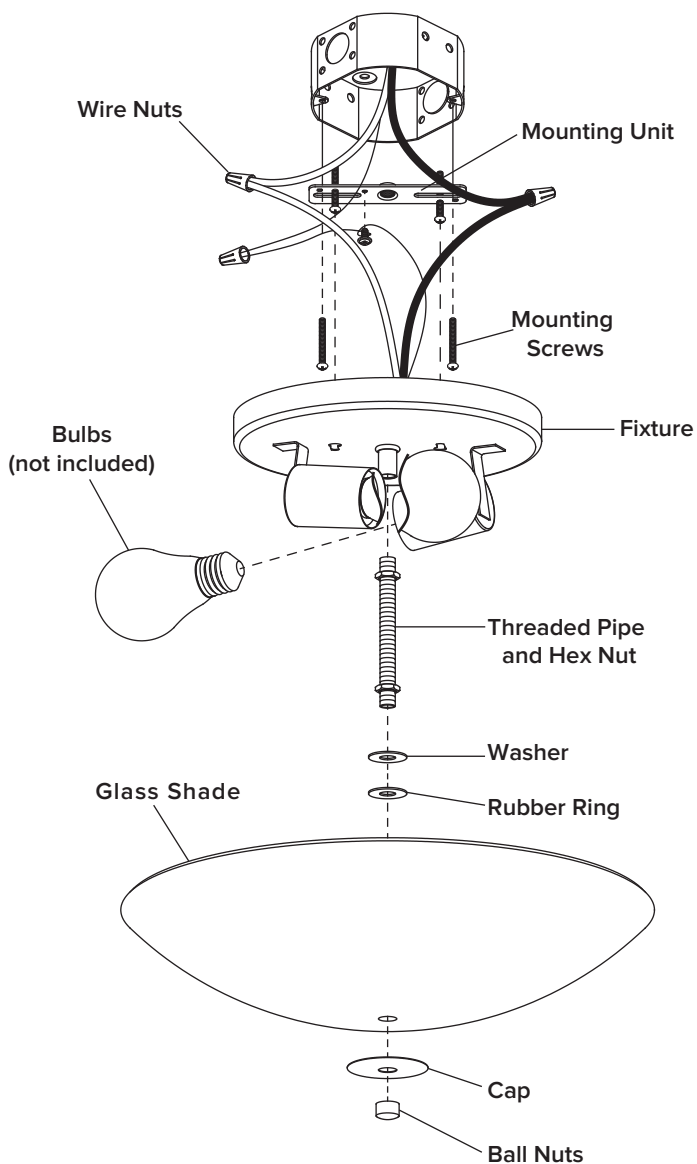
Mounting Unit



Wire Nuts

*PARTS SHOWN MAY DIFFER SLIGHTLY PER LIGHT FIXTURE

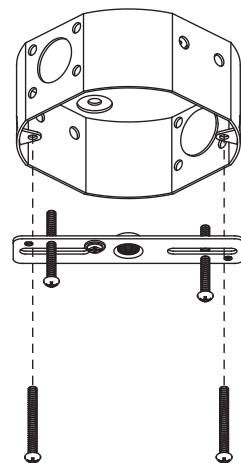
EXPLODED PARTS



INSTALLATION

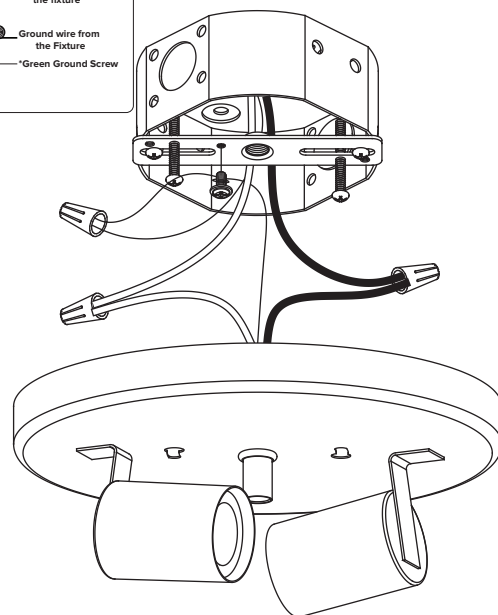
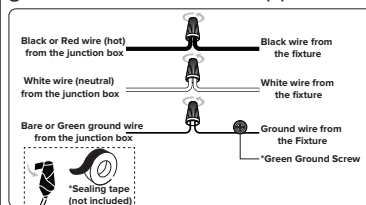
STEP 1

Use the **mounting screws** to attach the **mounting unit** to the junction box.



STEP 2

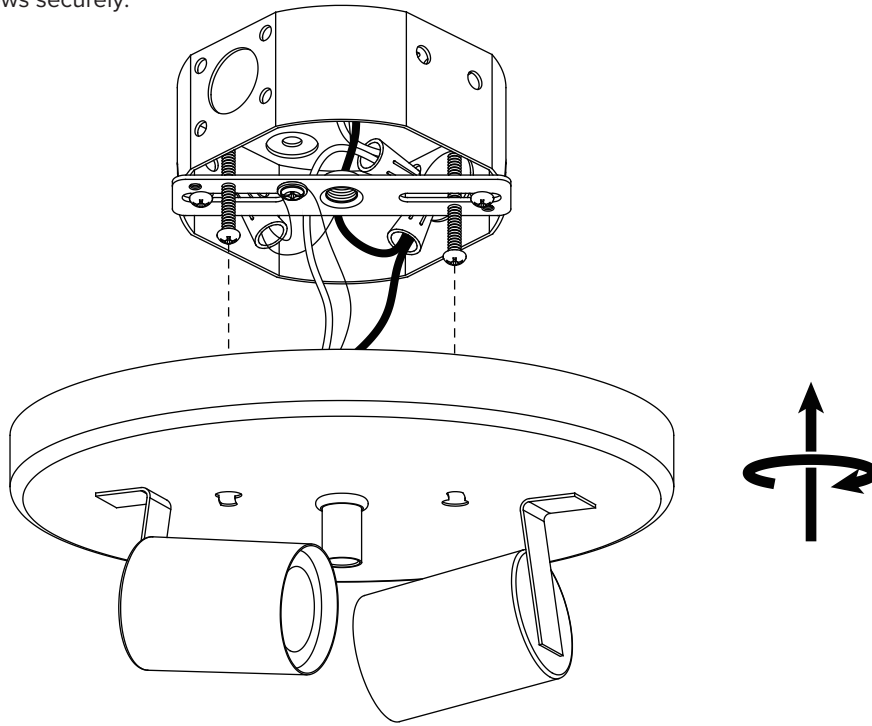
Make the electrical connection from the junction box to the **fixture**. Connect the ground wire to the **mounting unit** using the preinstalled green ground screw. Then, connect the positive, negative and ground wires with the supplied **wire nuts**. Secure with electrical tape.



ASSEMBLY INSTRUCTIONS (INSTALLATION)

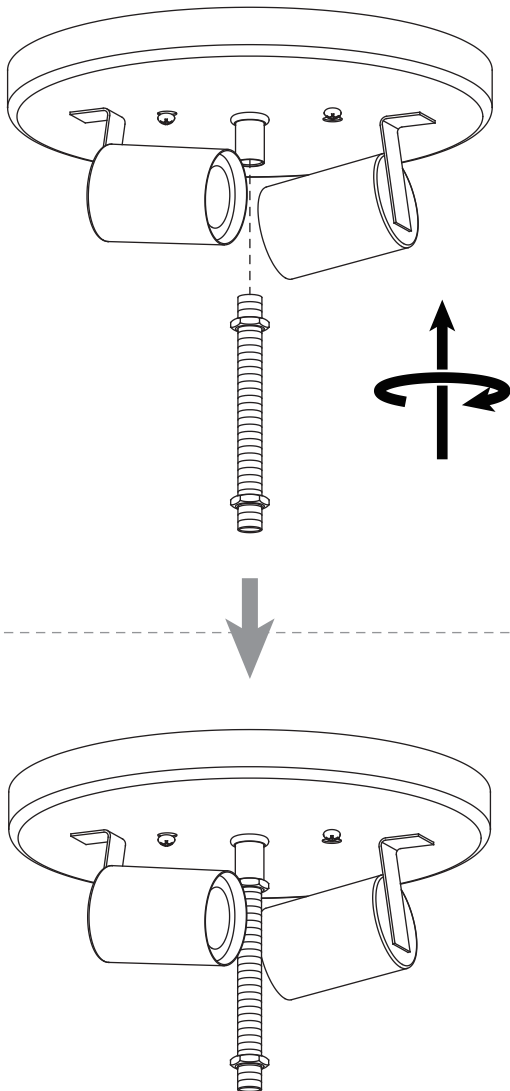
STEP 3

Attach the **fixture** to the **mounting unit** by inserting two fixture screws and rotating the **fixture** until it locks in place. Then tighten the fixture screws securely.



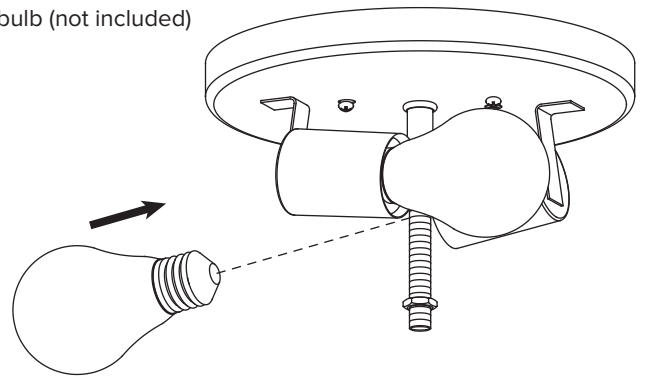
STEP 4

Screw the **threaded pipe and hex nut** into the **fixture**, then secure it with **hex nut**.



STEP 5

Install bulb (not included)



STEP 6

Place the **washer, rubber ring, glass shade and cap** onto the **threaded pipe and hex nut**, then secure with **ball nut**.

