

DEKOR GLASS
WALL-MOUNTED



ARIETTA

The Dekor Glass combines curved glass and stainless steel to create a light and airy environment, which is perfect for any contemporary kitchen. Comes equipped with a powerful 400 CFM blower that can support the cooking demands of most kitchens. High-tech LCD controls, manage multiple functions, including LED lightning, 3 speed blower, automatically turns on under high heat and even has a sensor that tells you when to clean your dishwasher-safe anodized aluminum mesh filter.



2 LED Lamps



Touch Controls
with LCD Display



1 Dishwasher-Safe
Anodized Aluminum
Filter

MODELS

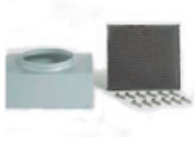
DIMENSIONS

ADK430SSA	Dekor Glass 30" Stainless	(30"W x 19 ⁵ / ₈ "D x 1 ⁵ / ₁₆ "H)
ADK436SSA	Dekor Glass 36" Stainless	(36"W x 19 ⁵ / ₈ "D x 1 ⁵ / ₁₆ "H)

Features

Size (in) & Type	30" or 36" Wide, Wall-Mounted, Chimney Hood
Finish	Stainless Steel + Glass
Controls	Touch Controls with LCD Display
Illumination	2 LED lamps (700 mA & 2.1 W per lamp)
Installation Type	Ducted or Recirculating Installation
Blower Performance	400 CFM, 3 – Speed Internal Speed 1 - 160 CFM - 0.7 Sones Speed 2 - 280 CFM - 1.8 Sones Speed 3 - 400 CFM - 5.5 Sones
Filter Type	1, Dishwasher-Safe, Anodized Aluminum Mesh
Telescopic Chimney Extension	For heights 6'8" to 9'0" (Ducted) For heights 7'0" to 9'4" (Recirculating)
Duct Transition	6" (Round, Top)
Electrical	120 V – 60 Hz 265 Watt at 2.2 Amps

Accessories



Recirculating Kit
for Dekor Glass 6"
CODE: KIT0102876



No Return Valve
6" Round
CODE: KIT0102873



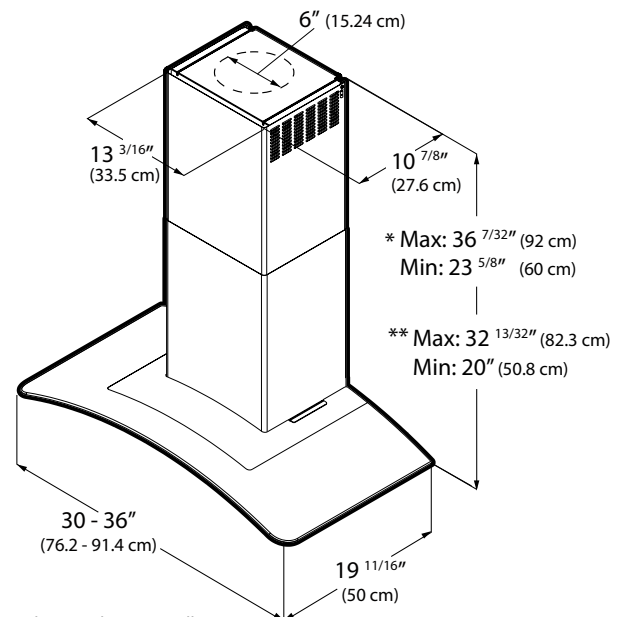
Long Chimney Extension Kit
Reaches 7'5" - 10'5" (ducted)
Reaches 7'9" - 10'9" (recirculating)
CODE: KIT01609/1



CFM Reduction Kit
CODE: KIT02748

Replacement Aluminum
Mesh Grease Filter (Qty 1)
CODE: KIT01668

Product Dimensions



*For non-vented (recirculating installations)

**For vented installations