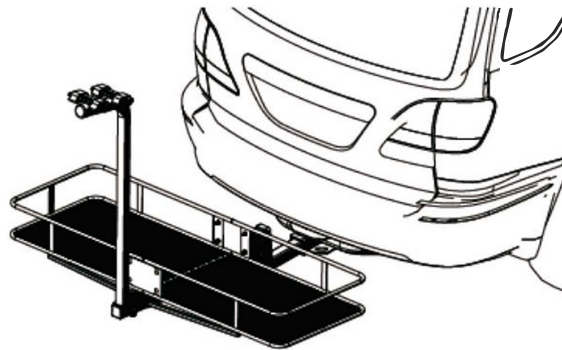
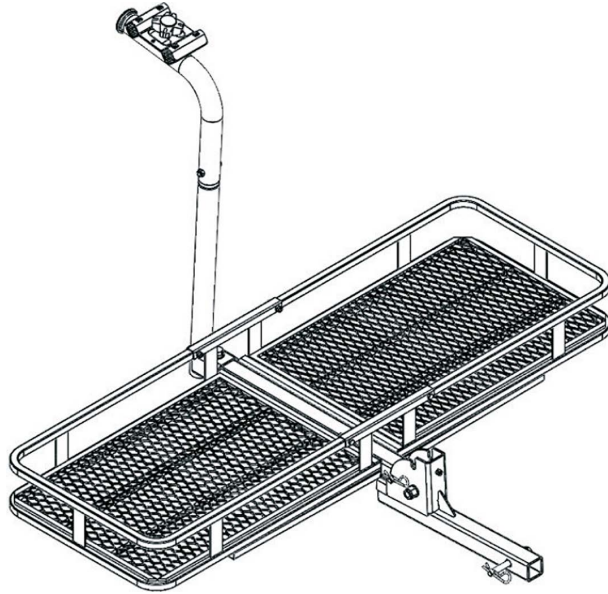




CARGO CARRIER WITH BIKE RACK INSTRUCTION



WARNING:

Read carefully and understand all **ASSEMBLY AND OPERATION INSTRUCTIONS** before operating. Failure to follow the safety rules and other basic safety precautions may result in serious personal injury.

Please read and understand all instructions before use. Retain this manual for future reference.

TECHNICAL SPECIFICATIONS

Item	Description
Load Capacity	400 lbs. cargo carrier, 80lbs bike rack
Hitch Size	2in. standard

CARGO CARRIER WITH BIKE RACK USE AND CARE

- Never exceed recommended load capacity of 400 lbs for cargo carrier and 80lbs for bike rack.
- Do not modify the cargo carrier with bike rack in any way. Unauthorized modification may impair the function and /or safety and could affect the life of the equipment.
- Always check for damaged or worn parts before using the cargo carrier with bike rack. Broken parts will affect the cargo carrier with bike rack operation. Replace or repair damaged or worn parts immediately.
- Distribute the load evenly. Uneven loads may cause the cargo carrier with bike rack to tip, resulting in damage to personal property or to the vehicle.
- Use the cargo carrier with bike rack only with 2in. Class III and Class IV hitches. Always position loads evenly and secure with tie-down straps.
- Never block or impede vehicle exhaust. Loading items that block the exhaust can cause fire or damage to personal property and vehicle.
- Keep work area clean, free of clutter and well lit. Cluttered and dark work areas can cause accidents.
- Keep children and bystanders away while assembling, installing or removing the cargo carrier. Distractions can cause lose of control, so visitors should remain at a safe distance from the work area.
- Stay alert, watch what you are doing and use common sense when using the cargo carrier. Secure all cargo with tie-down straps and /or bungee cords(not included).

Assembly Recommended Tools:



Open Wrench(1pc)
Size=13mm



Open Wrench(1pc)
Size=16mm



Monkey Wrench(1pc)
Size=0-30mm



Open Wrench(1pc)
Size=18mm



Open Wrench(1pc)
Size=24mm

Assembly Instructions

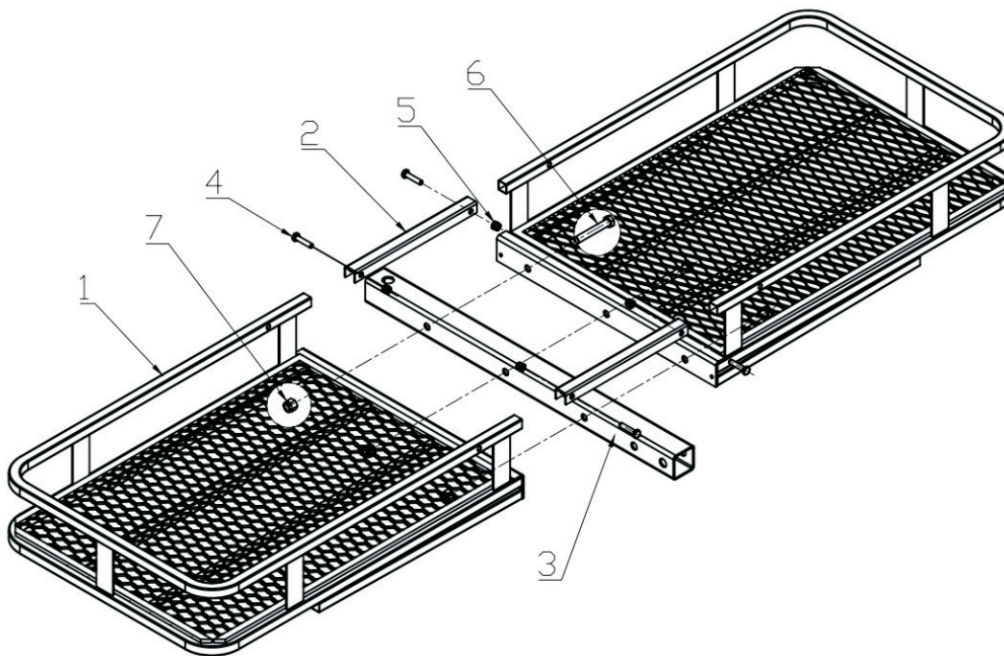
Step 1

Connect the two frames (1) using the connecting piece (2); line up the corresponding holes; use 2 of the M8X35 bolts (4); Secure with 2 of the M8 lock nuts (5). Continue the same configuration for the other side. Do not tighten completely.

Place the square tube (3) on the middle of the assembled frame (1), connect using the three bolts M12X75 (6) and three M12 lock nuts (7). Do not tighten completely.

Check that the two frames sides align horizontally, then tighten all bolts and nuts.

See Fig 1.

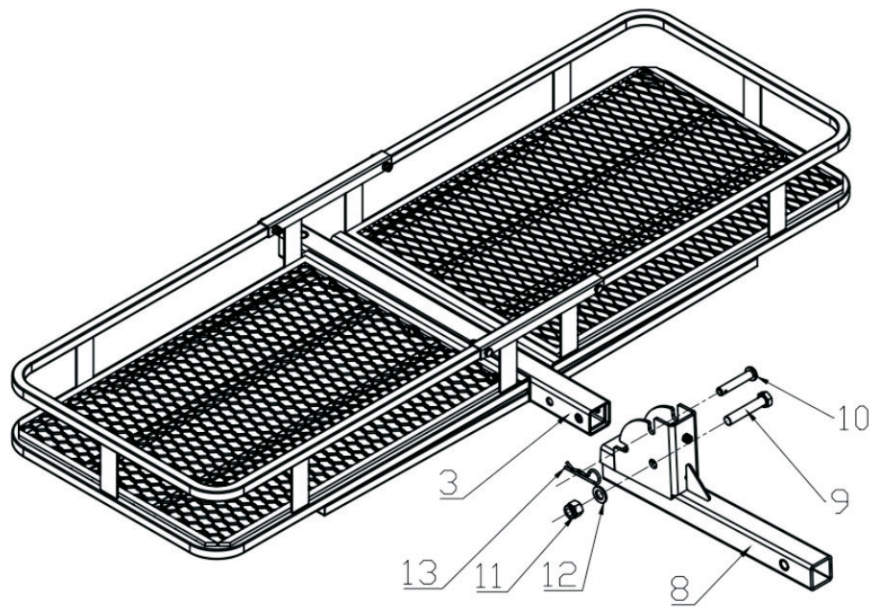


Step 2

Insert the square tube(3) into the rotating receiver (8), align all the holes and lock big holes with M16×85 hexagon head bolt (9) and M16 lock nut (11) and the 16 flat washer(12). 14 Pin (10) is needed for horizontal rotation and rotating 90 degrees, insert clip (13) securely into the hole in 14 Pin (10).

Note: The M16 lock nut should not be tightened too much to ensure that the rotating device and frame can be rotated.

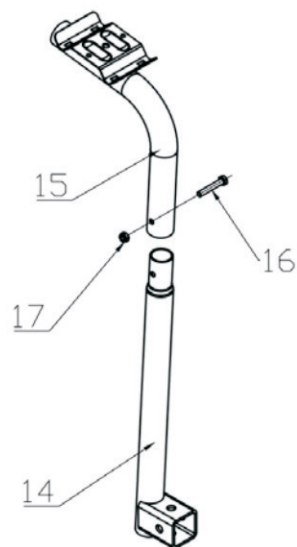
See Fig2



Step 3

Attach bracket arm (15) onto center support(14) by using M10X60 bolt (16) and M10 Lock nut(17).

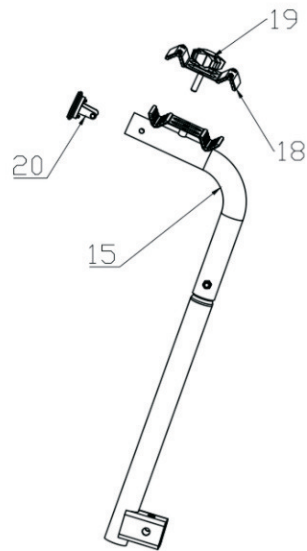
See Fig3



Step 4

Attach the “W” plate(18) onto the bracket arm(15), using the handle (19). Assemble the reflector(20) on the bracket arm(15).

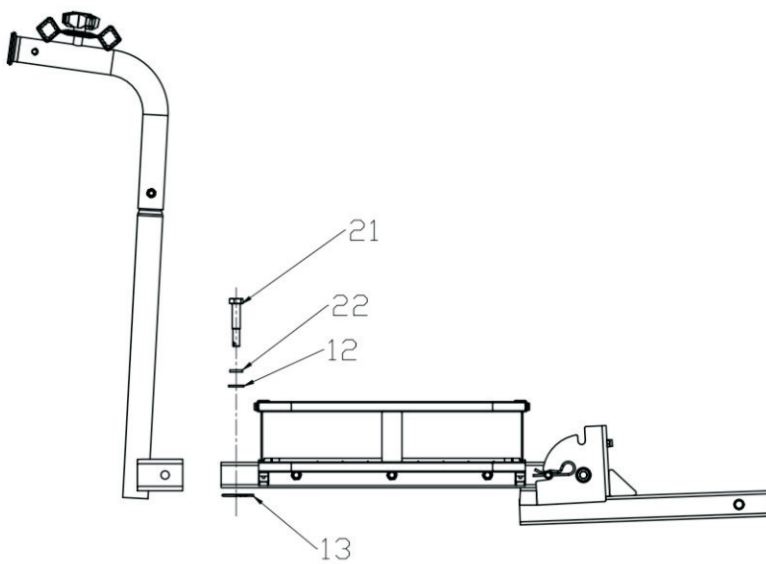
See Fig4



Step 5

Assemble bike rack into cargo carrier, secure by using M16 short shockproof bolt (21), 16 spring washer(22) , 16 flat washer(12), clip(13).

See Fig5



Remarks:

Fold up carrier with bike rack when not in use. Pull out M16 short shockproof bolt (21), take out the bike rack and rotate bike rack 90 degree, fix by using M16 short shockproof bolt (21), 16 spring washer(22) , 16 flat washer (12), clip(13),then bike rack will parallels the cargo carrier.

Take out 14 pin(10), fold up cargo carrier with bike rack and fix using 11 pin (10) and clip(13).

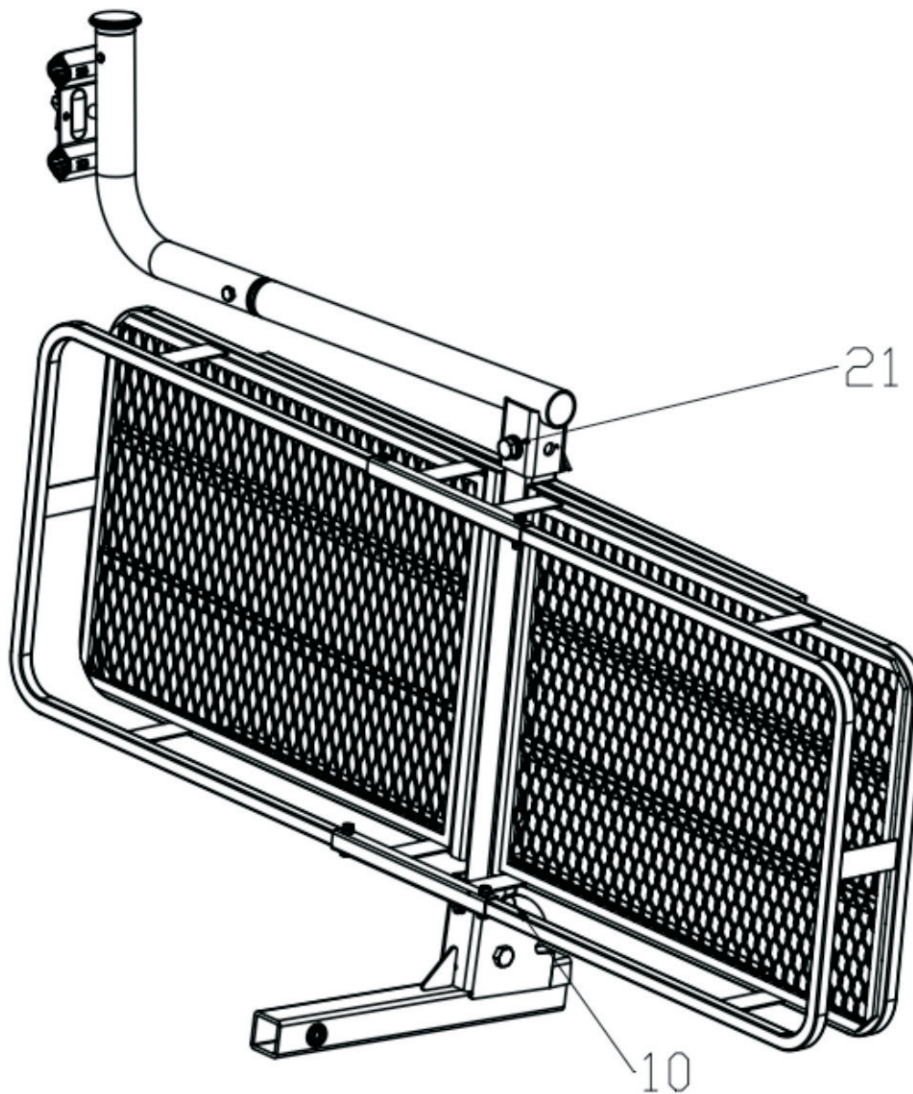
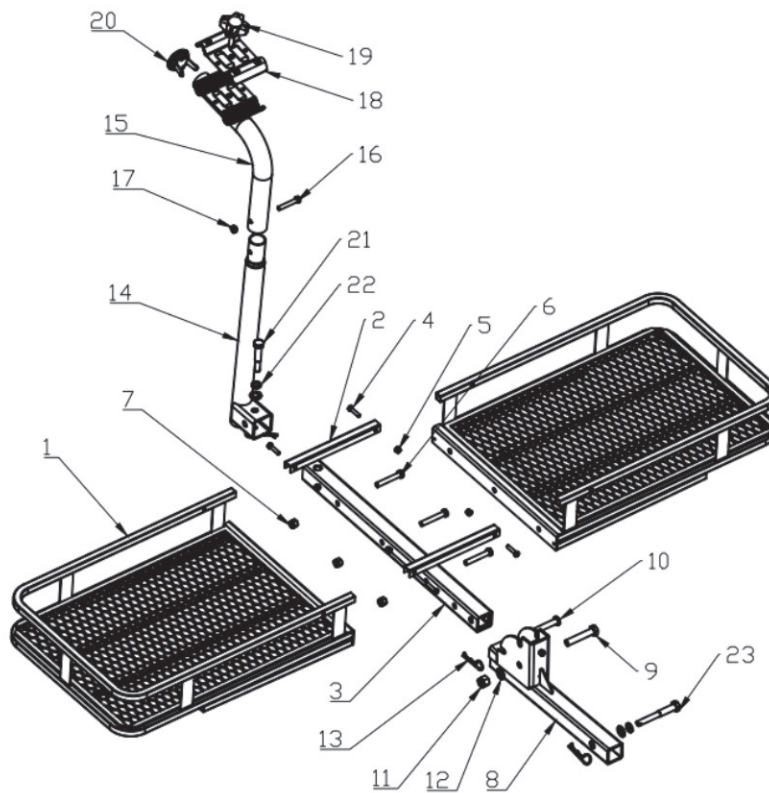


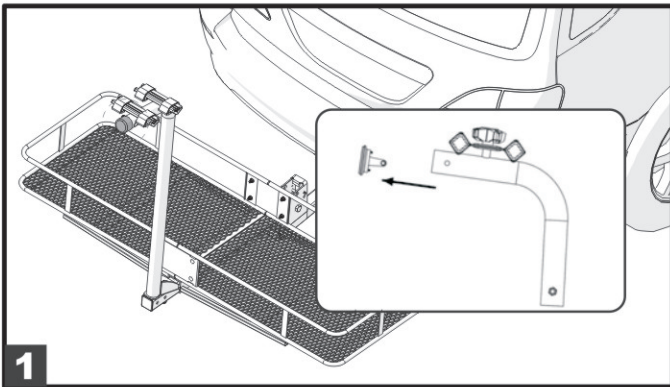
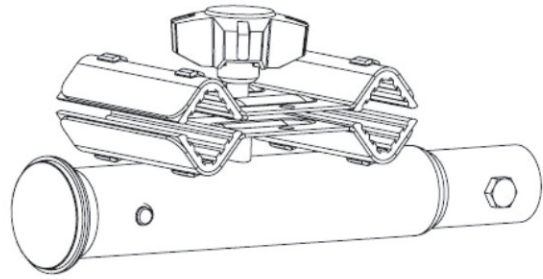
DIAGRAM AND PARTS LIST



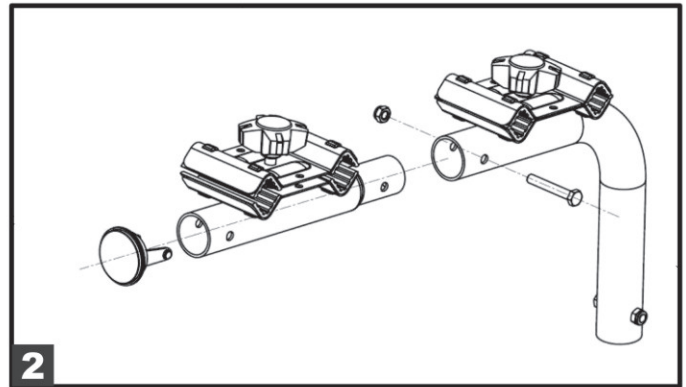
Part#	Description	Q'ty	Part#	Description	Q'ty
1	frame	2	13	clip	3
2	connecting piece	2	14	center support	1
3	square tube	1	15	bracket arm	1
4	M8X35 bolt	4	16	M10X60 bolt	1
5	M8 lock nut	4	17	M10 lock nut	1
6	M12X75 bolt	3	18	"W" plate	1
7	M12 lock nut	3	19	Handle	1
8	rotating receiver	1	20	reflector	1
9	M16x85 hexagon head bolt	1	21	M16 short shockproof bolt	1
10	14 Pin	1	22	16 spring washer	2
11	M16 lock nut	1	23	M16 shockproof bolt	1
12	16 flat washer	3			

INSTRUCTIONS

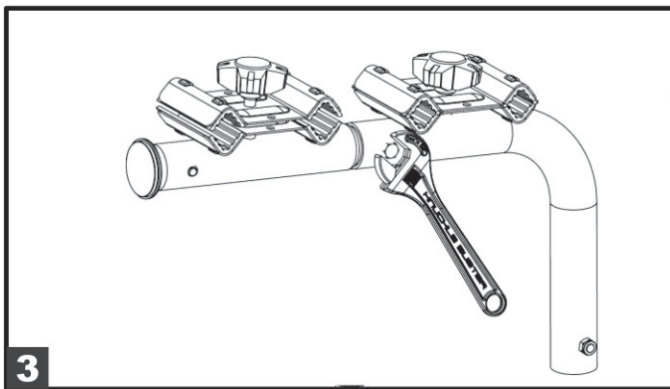
Model BCCB-4031- 4



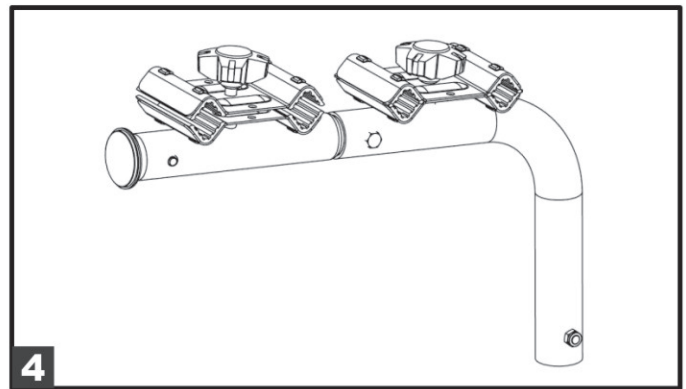
1. Remove the end cap.



2. Add the extension tube, then secure it with bolts and nuts.



3. Use wrenches(not provided) to tighten the bolts and nuts.



4. Mount the bikes and secure them with Velcro straps.