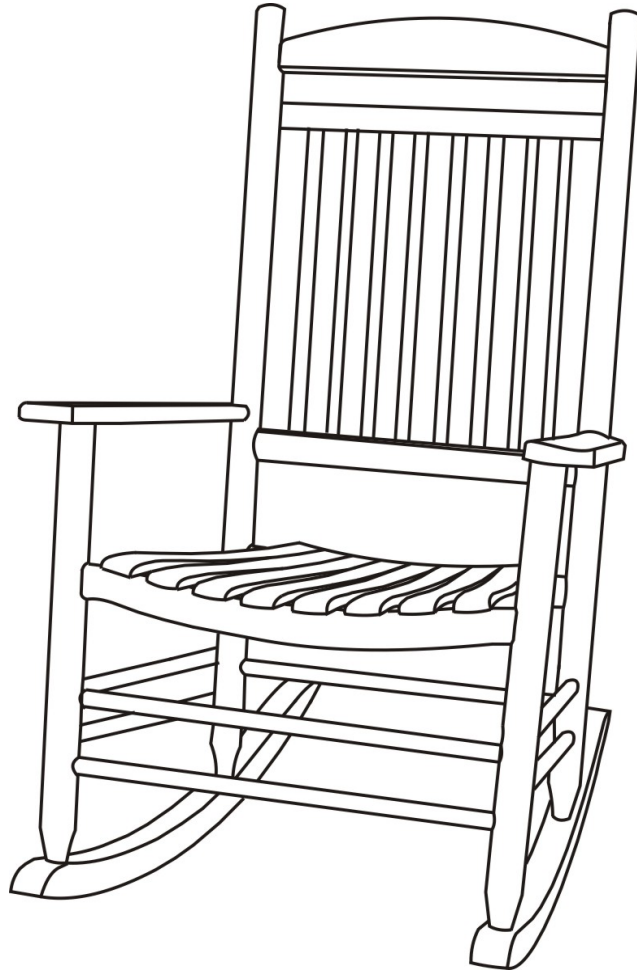




VEIKOUS



INSTRUCTION MANUAL



THANK YOU FOR CHOOSING VEIKOUS!

YOU WILL NEVER KNOW

HOW EASILY YOU COULD ENLIGHTEN YOUR LIFE

WITH SUPERIORITY AND PLEASURE

NOW YOU KNOW IT

- FOR MORE COST-EFFECTIVE PRODUCTS.

VISIT WWW.VEIKOUS.COM.

- IF YOU HAVE ANY PROBLEM.

E-MAIL US AT CUSTOMERSERVICE@VEIKOUS.COM

TOOLS REQUIRED



PHILLIPS
SCREWDRIVER







1 PERSON
ASSEMBLY

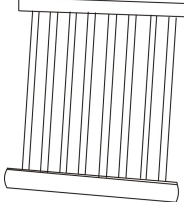
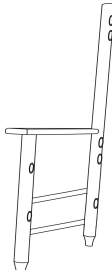
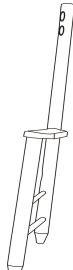




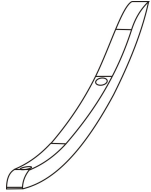


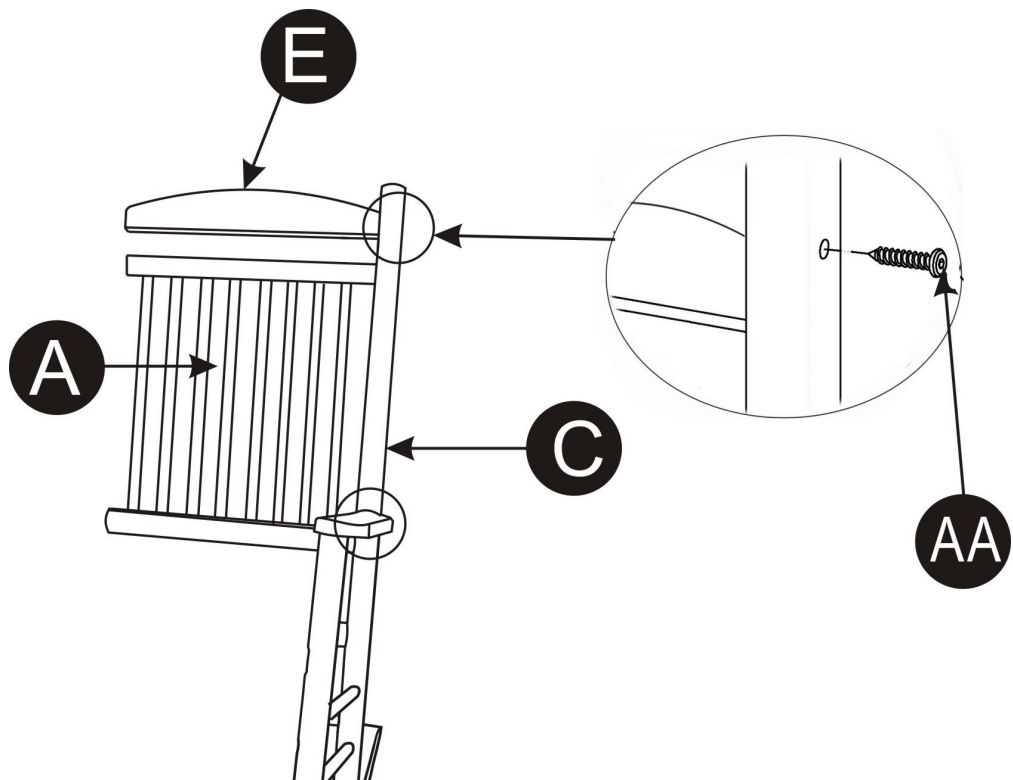
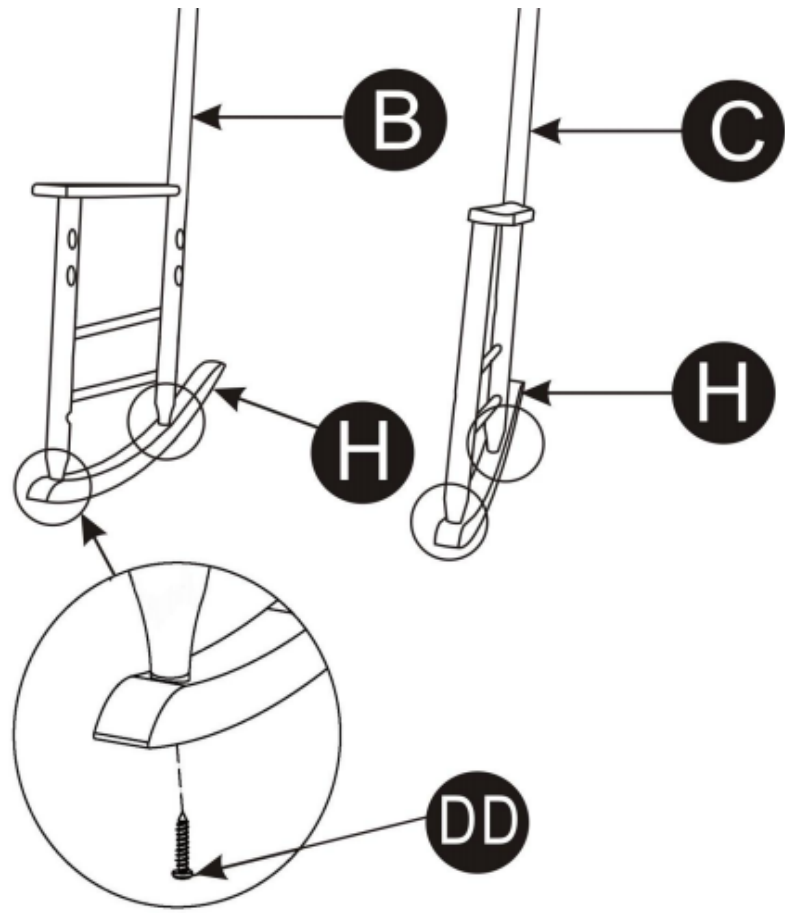
APPROXIMATELY
20 MIN.
ASSEMBLY

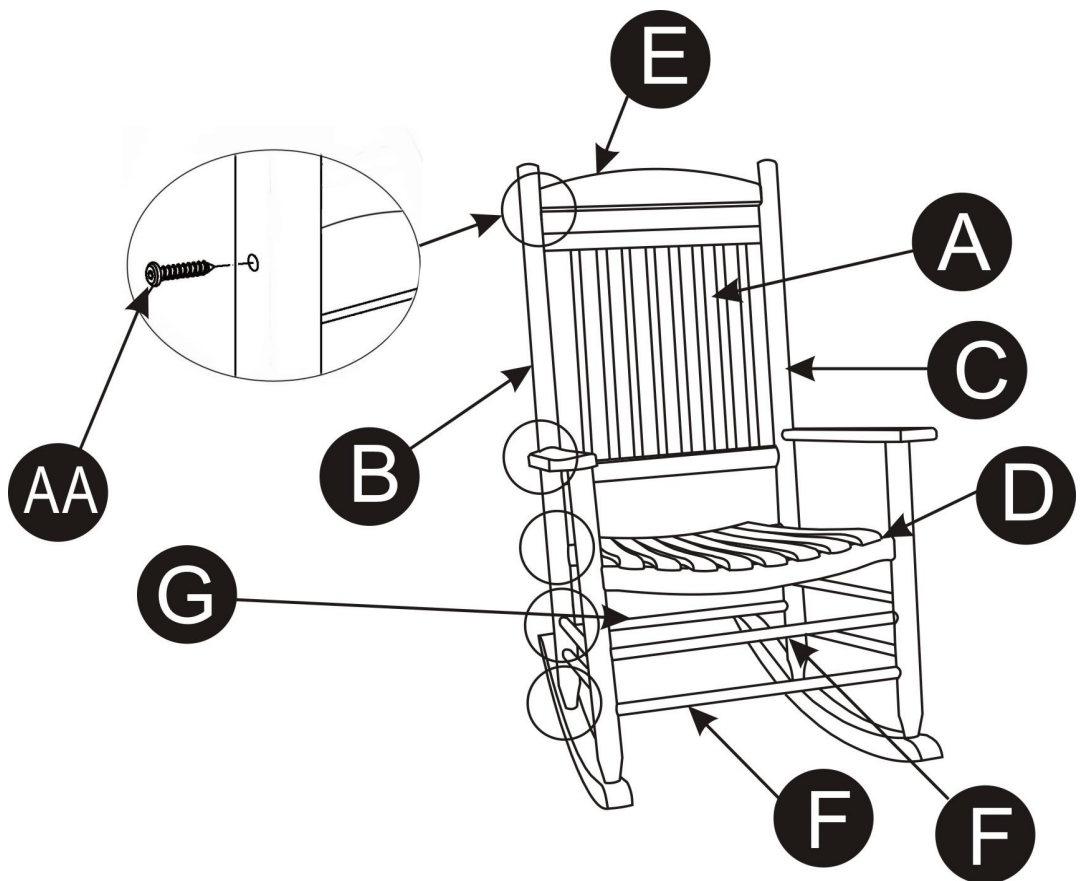
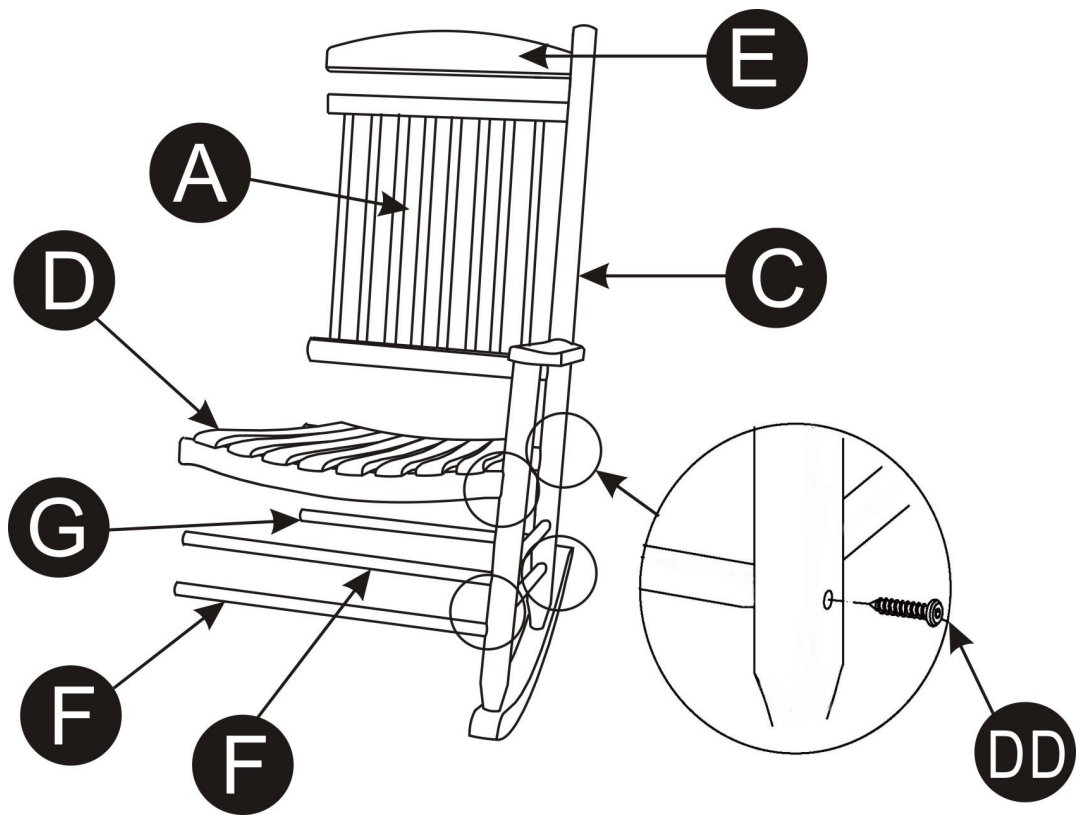
HARDWARE

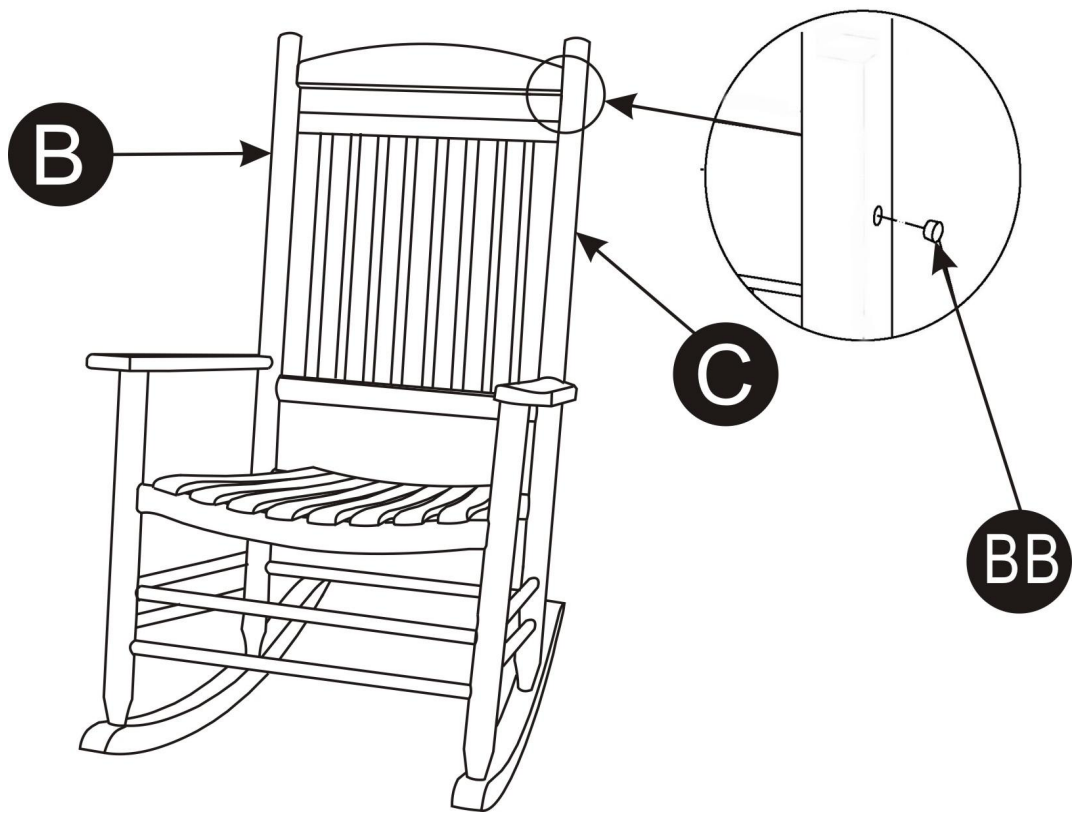
<p>A</p>  <p>6*48mm 12PCS</p>	<p>B</p>  <p>12mm 4PCS</p>	<p>C</p>  <p>12PCS</p>	<p>D</p>  <p>4*45mm 4PCS</p>		

PARTS

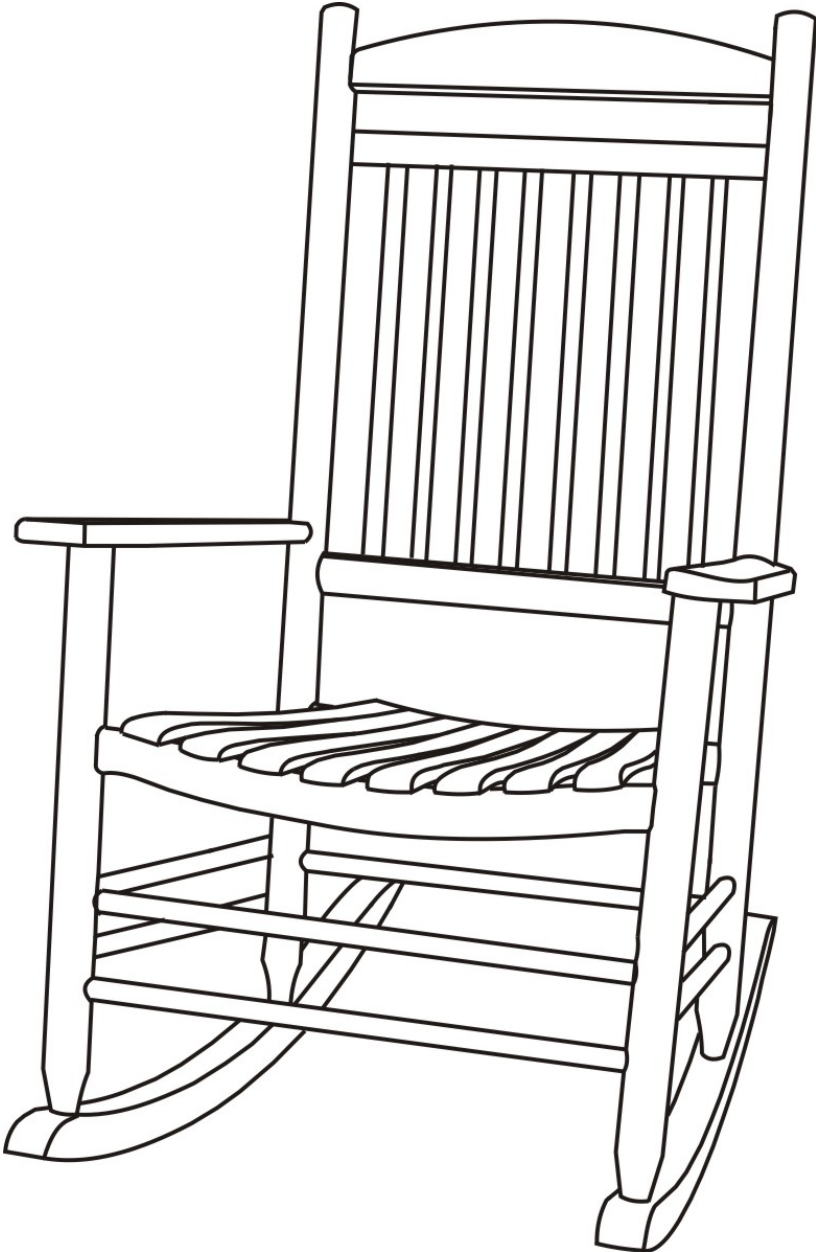
<p>A</p> 	<p>B</p> 	<p>C</p> 	<p>D</p> 	<p>E</p> 	<p>F</p> 
<p>G</p> 	<p>H</p> 				







ENJOY YOUR PRODUCT!



⚠️ WARNING

Manufacturer and seller expressly disclaim any and all liability for personal injury, property damage or loss, whether direct, indirect, or incidental, resulting from the incorrect attachment, improper use, inadequate maintenance, or neglect of this product.