

STEP 11

STEP 13

STEP 12

STEP 14

STEP 15

Recommended Maximum Weight

***Unit in Pound(lbs.)**

WARNING:

- >This unit has been designed to support the maximum loads shown. Exceeding these load limits could cause sagging, instability, product collapse, and/or serious injury.
- >DO NOT allow children to climb on unit.
- > Put heavier items on lower shelves.



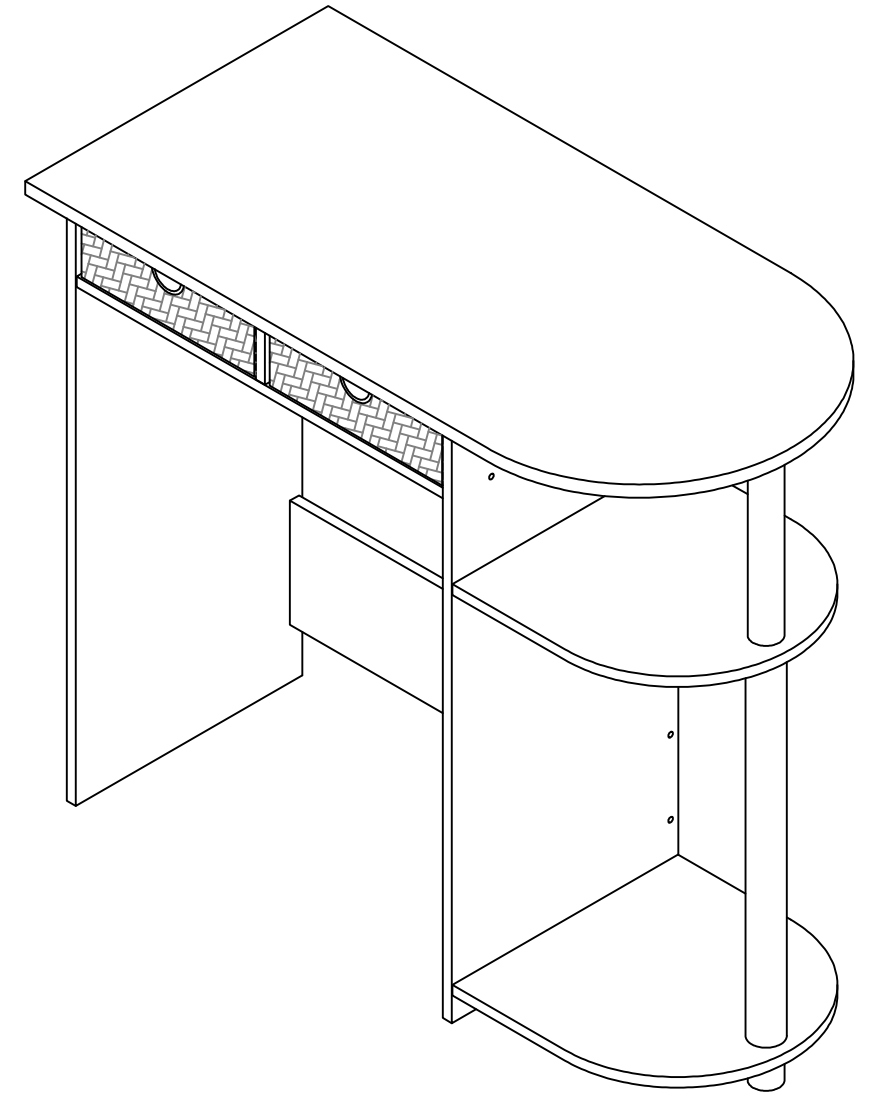
Assembly Instruction

Furinno Go Green Home Laptop Notedbook Computer Desk / Table
 MODEL : 11193

00:30
 Approx. 30 minutes

Recomm. 1 Person

Tool Required



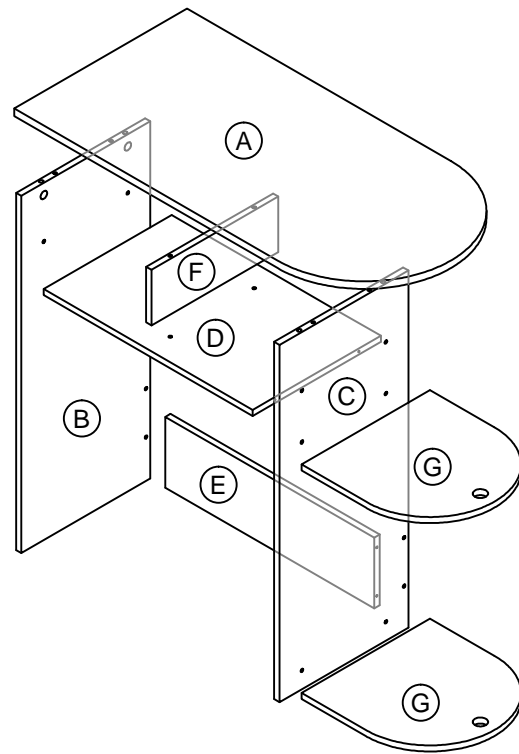
Customer Support

NEED HELP? For replacement requests or product inquiries, please contact our Customer Service Team by emailing us at support@furinno.com. Thank you for selecting Furinno!

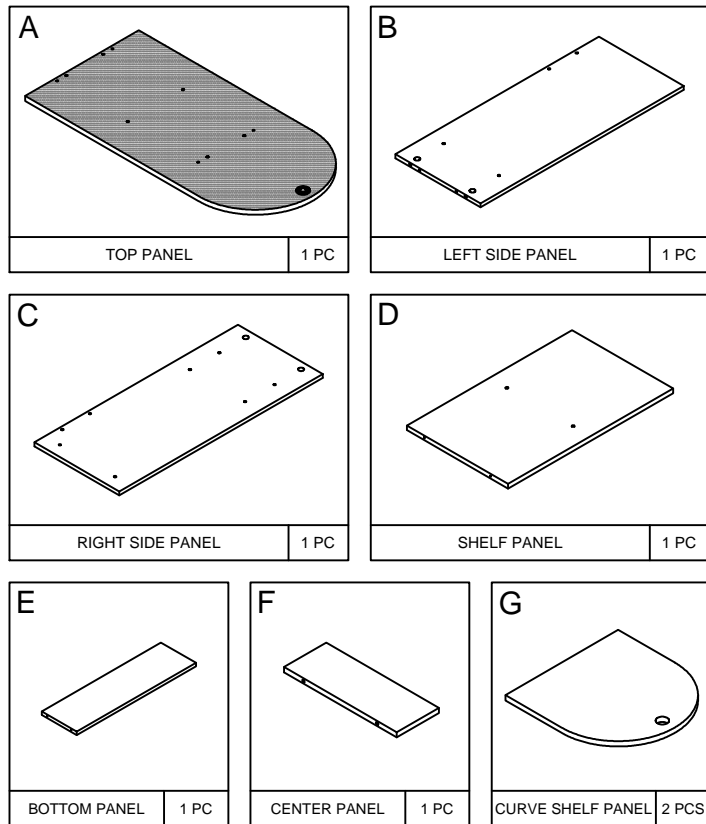
www.furinno.com



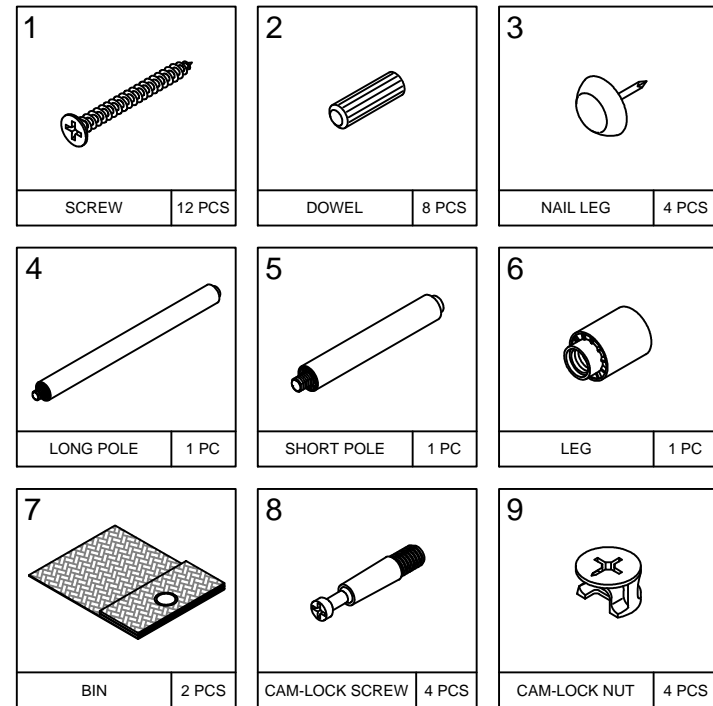
EXPLODED VIEW



PARTS LIST



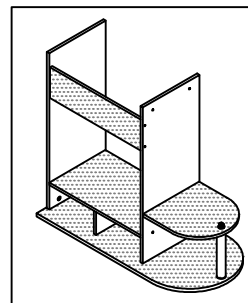
HARDWARE LIST



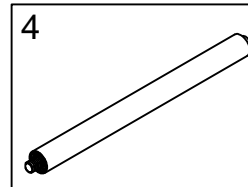
USEFUL HINTS BEFORE YOU START:

1. Read each step carefully before starting.
2. It is important that each step is performed in correct order to avoid difficulties.
3. Identify, soft and count the parts before assembly.
4. Assemble your furniture on packaging cardboard to prevent scratch or damage.
5. Clean the product with mild cleanser using soft damped cloth. Do not use harsh or abrasive cleanser.
6. Using incompatible hardware might cause damage to product.

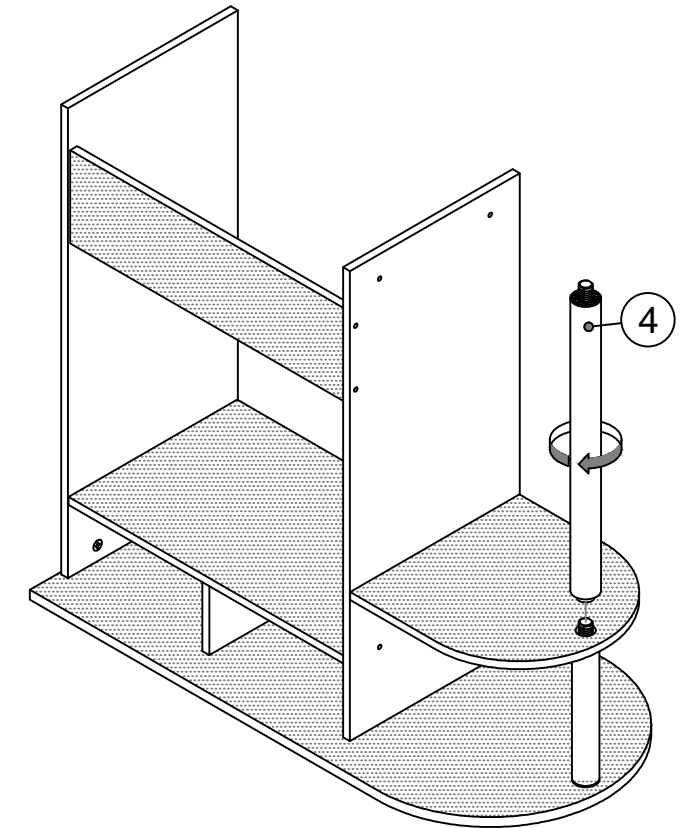
STEP 9



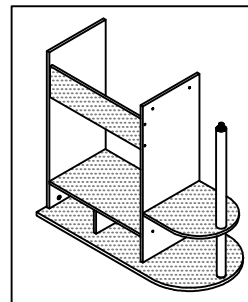
ASSEMBLED UNIT



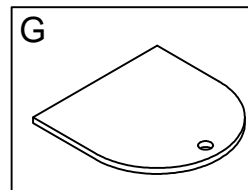
LONG POLE 1 PC



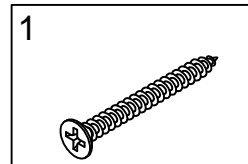
STEP 10



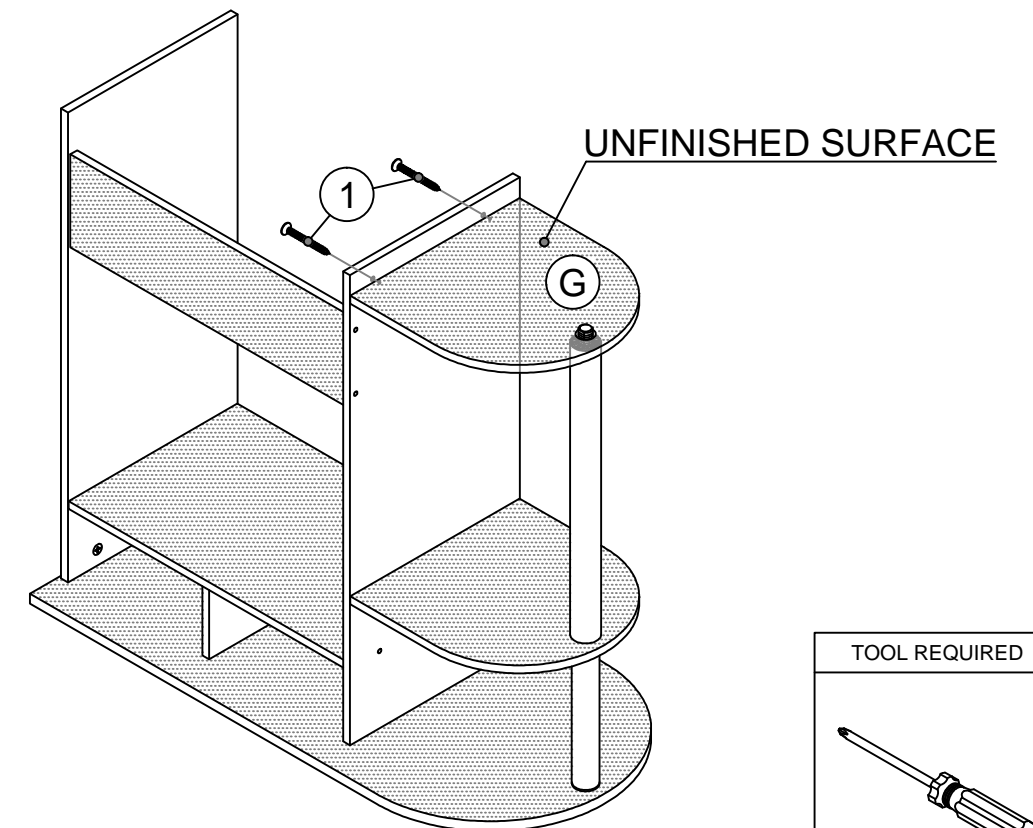
ASSEMBLED UNIT



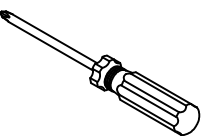
CURVE SHELF PANEL 1 PC



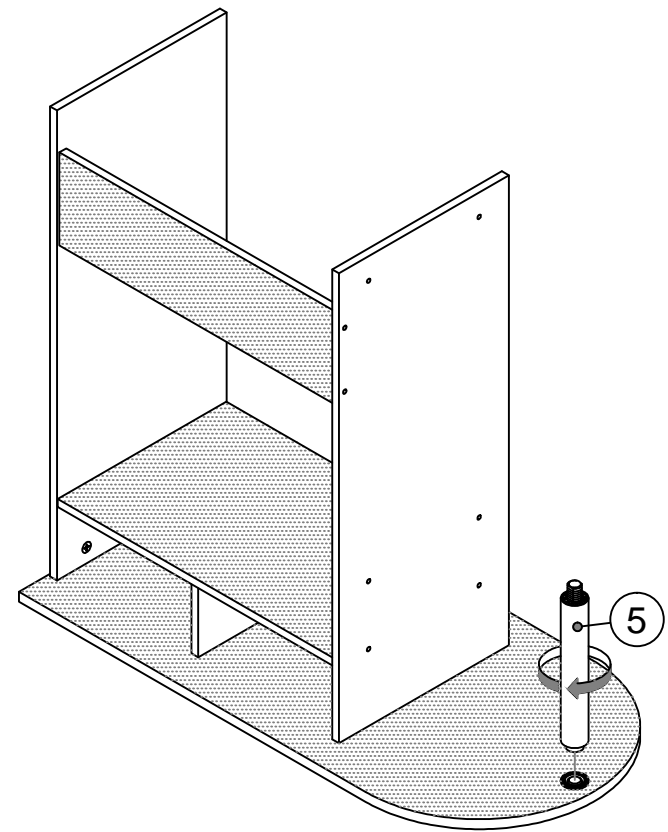
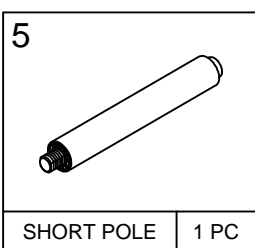
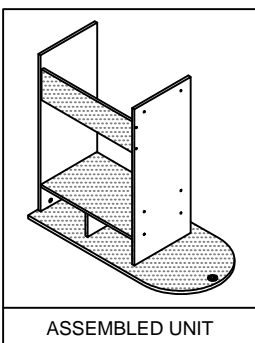
SCREW 2 PCS



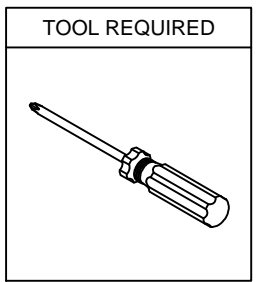
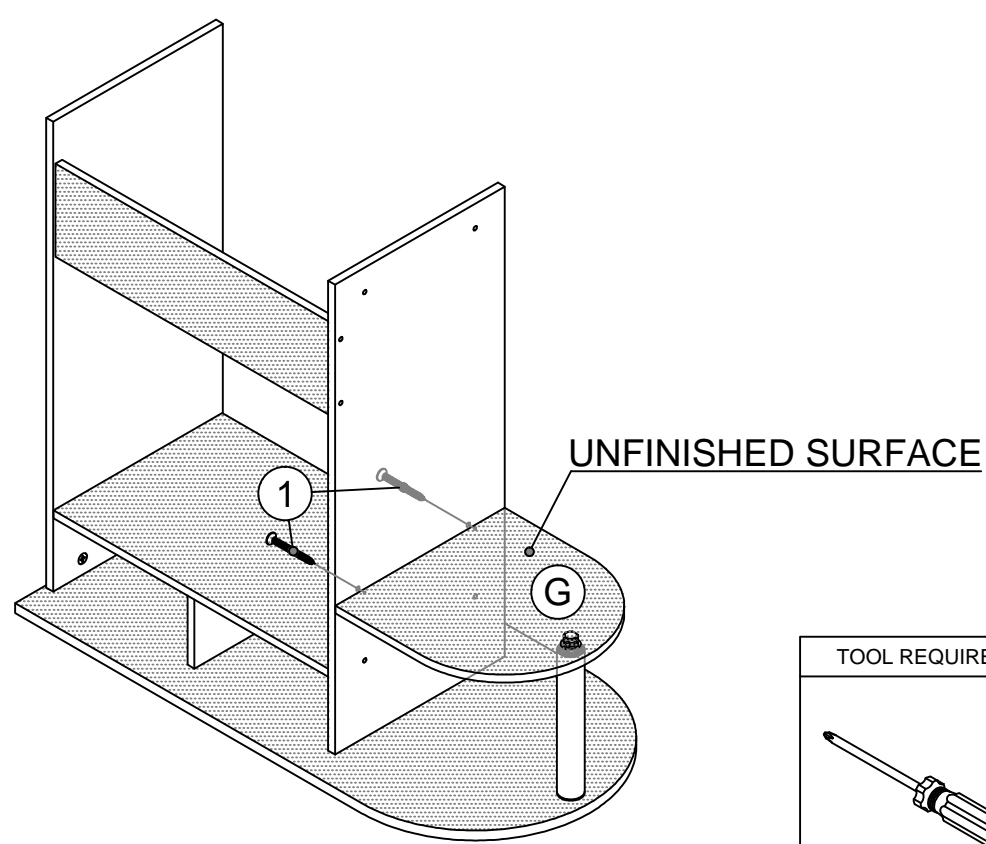
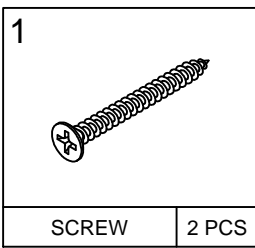
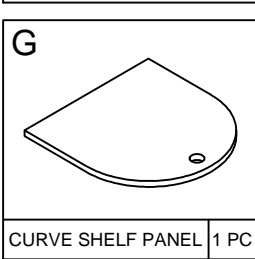
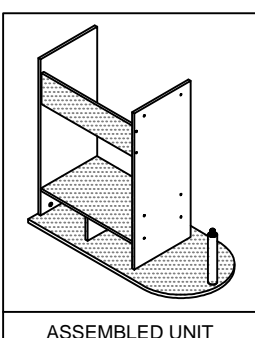
TOOL REQUIRED



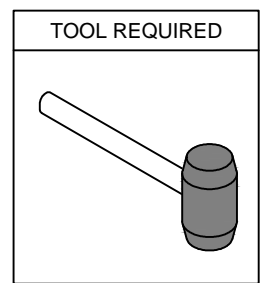
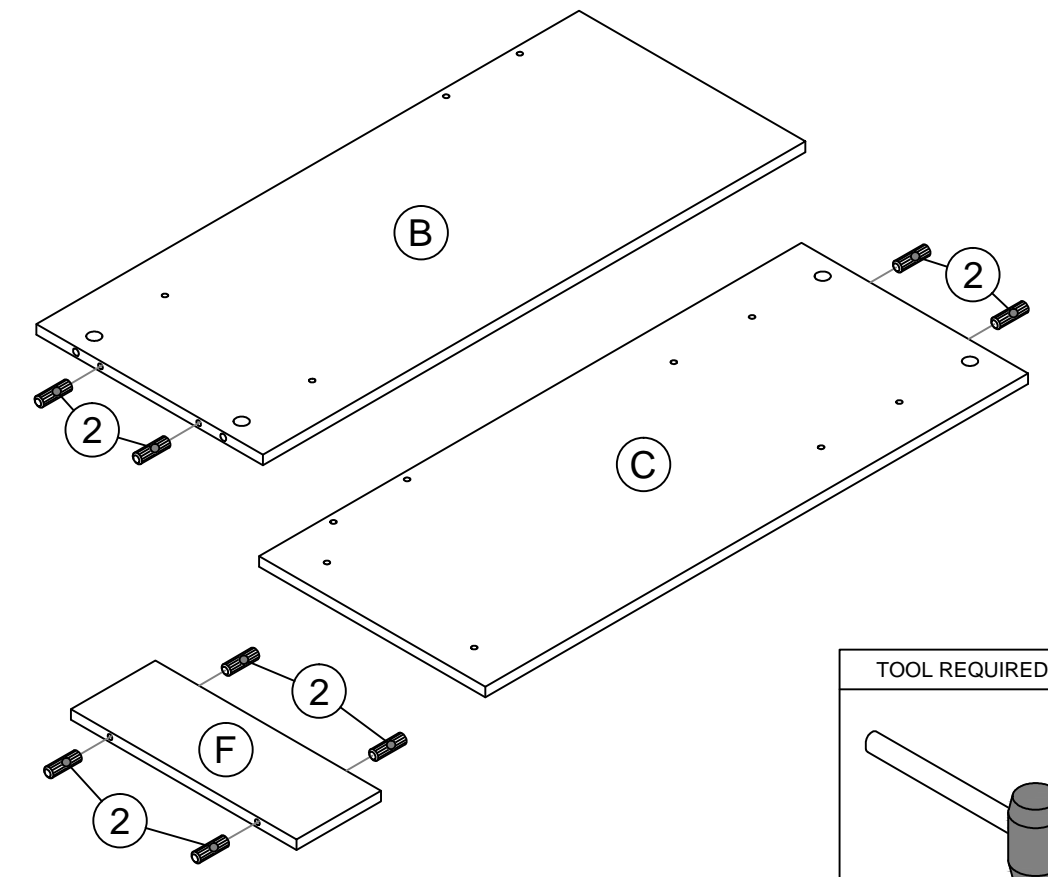
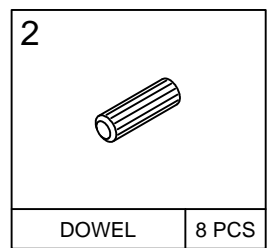
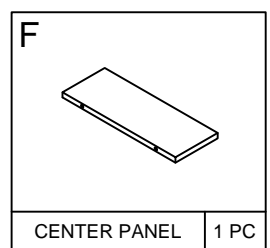
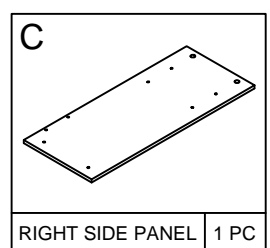
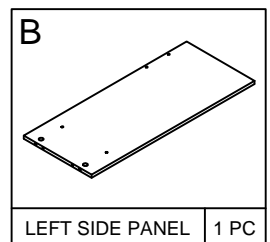
STEP 7



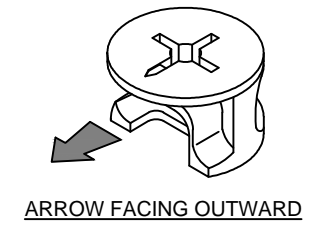
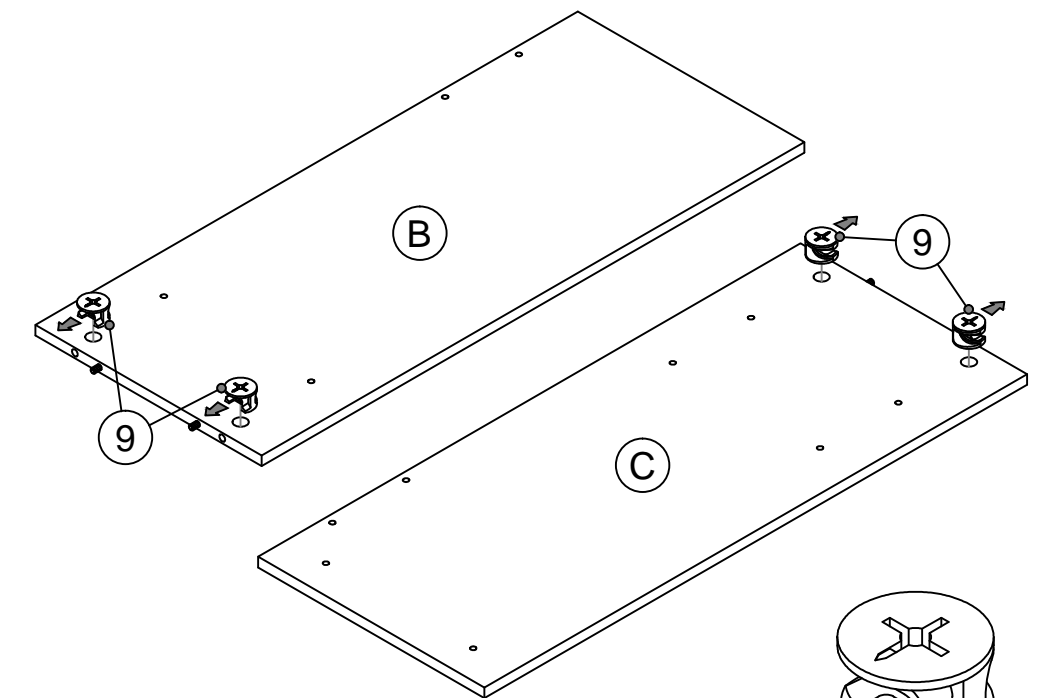
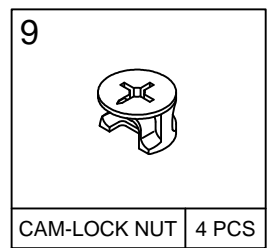
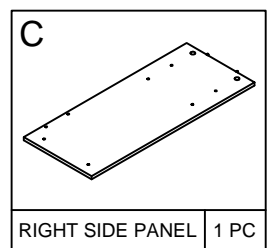
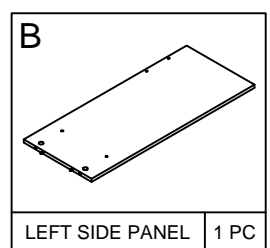
STEP 8

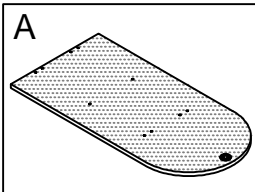


STEP 1

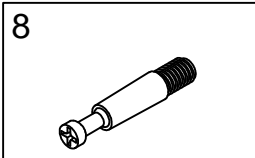


STEP 2



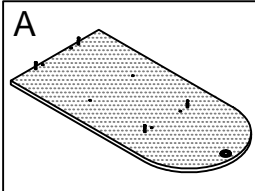
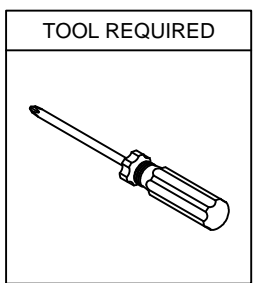
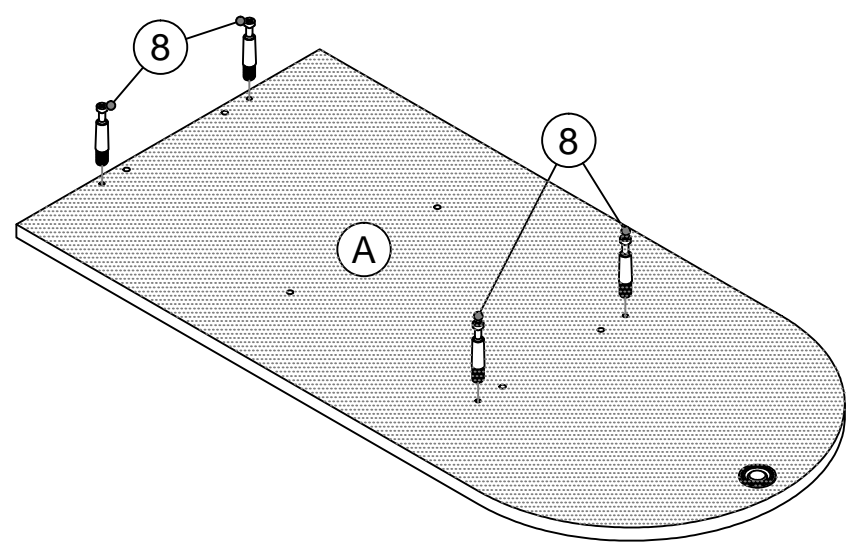


TOP PANEL 1 PC

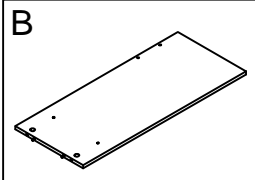


CAM-LOCK SCREW 4 PCS

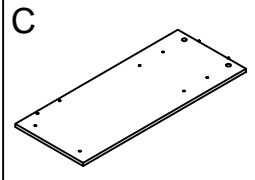
STEP 3



TOP PANEL 1 PC

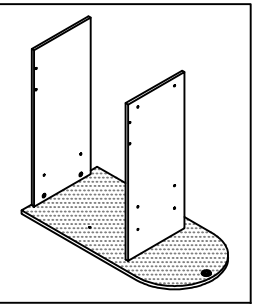
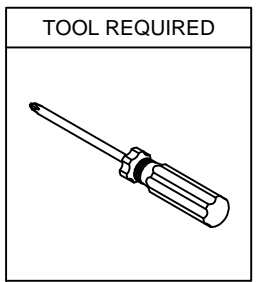
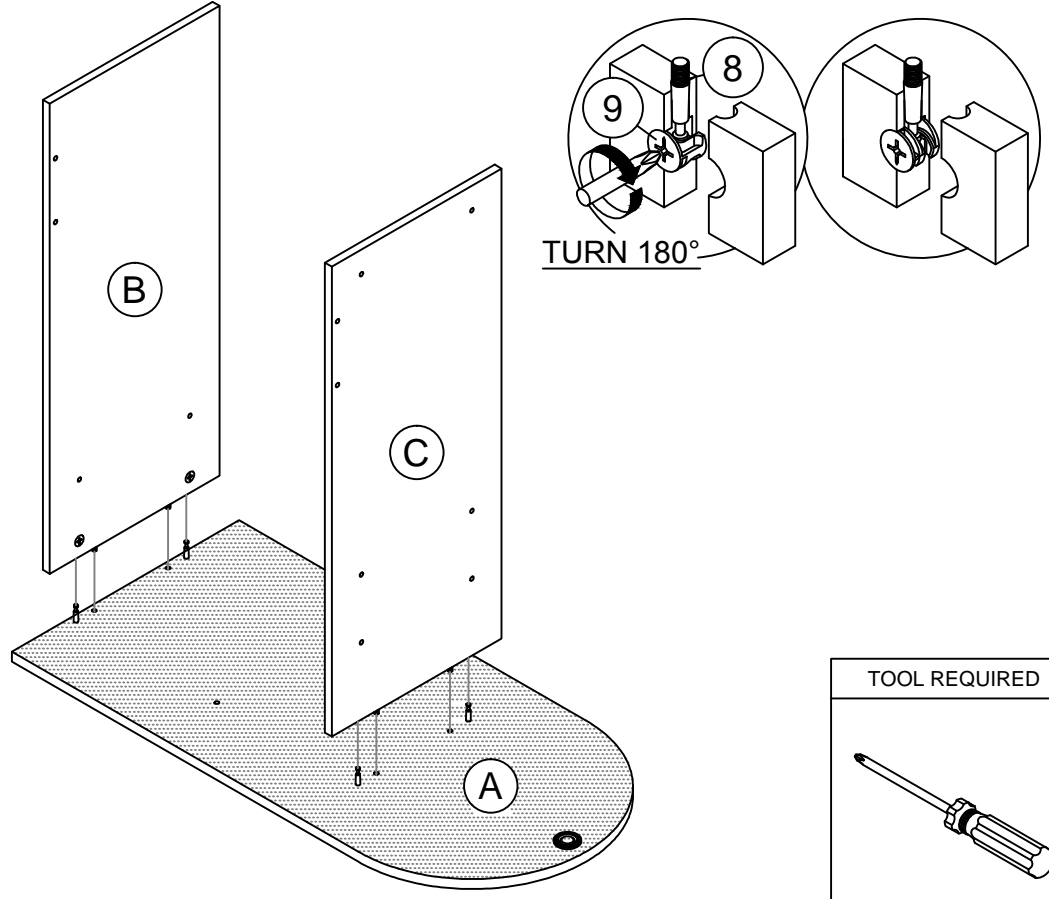


LEFT SIDE PANEL 1 PC

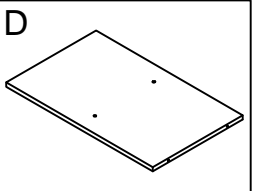


RIGHT SIDE PANEL 1 PC

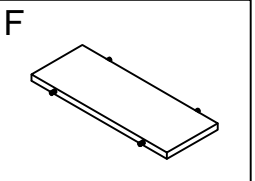
STEP 4



ASSEMBLED UNIT

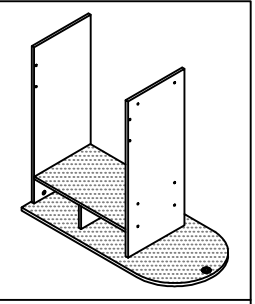
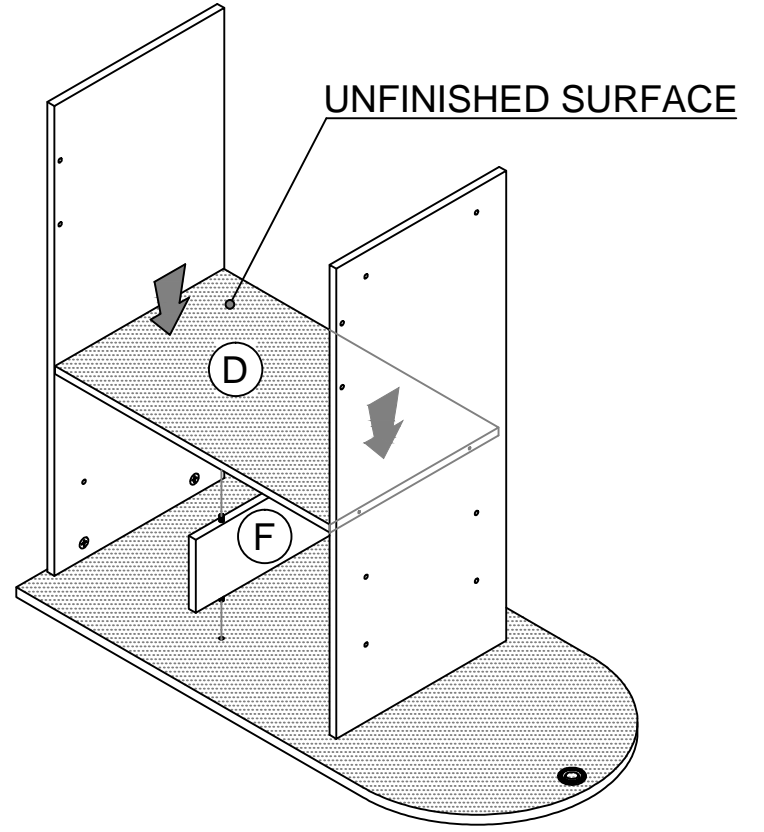


SHELF PANEL 1 PC

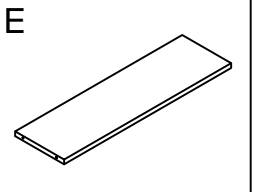


CENTER PANEL 1 PC

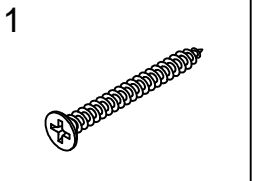
STEP 5



ASSEMBLED UNIT



BOTTOM PANEL 1 PC



SCREW 8 PCS

STEP 6

