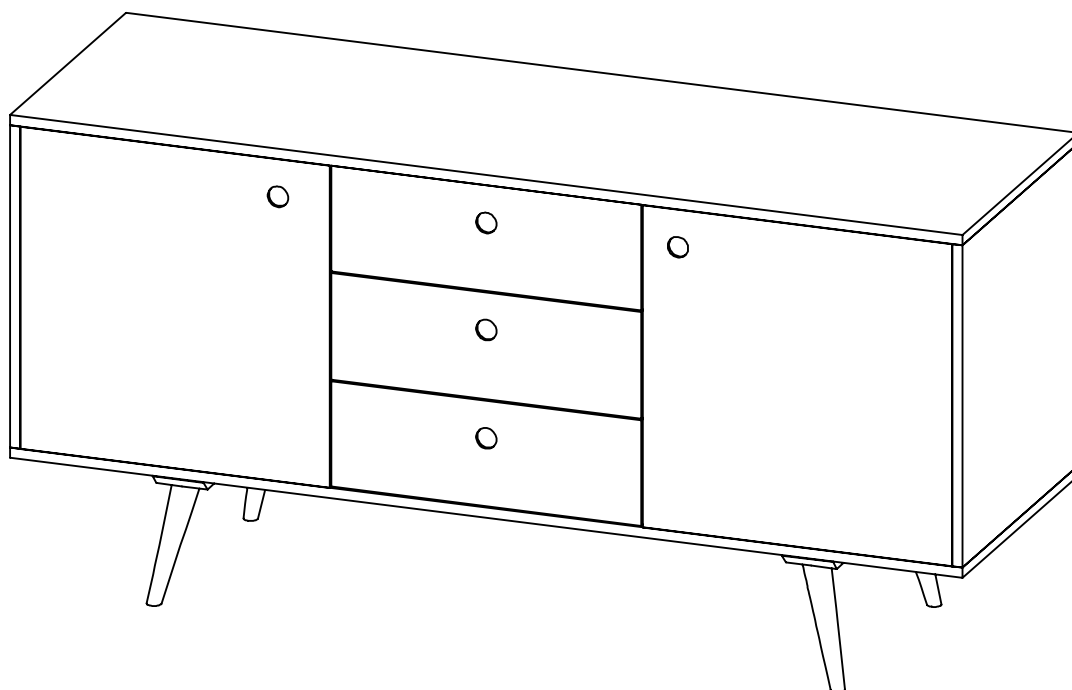


ASSEMBLY INSTRUCTION

WOOD SIDEBOARD WITH 2-TONE DOORS WITH 3-MIDDLE DRAWER



Questions, problems, missing parts? Before returning to the store,
call Home Decorators Collection Customer Service.
8 a.m. – 7 p.m., EST, Monday – Friday, 9 a.m. – 6 p.m., EST, Saturday

1-800-998-7021

[HOMEDEPOT.COM/HOMEDECORATORS](https://www.homedepot.com/homedecorators)

THANK YOU

We appreciate the trust and confidence you have placed in Home Decorators Collection through the purchase of this sideboard. We strive to continually create quality products designed to enhance your home. Visit us online to see our full line of products available for your home improvement needs. Thank you for choosing Home Decorators Collection!

Table of Contents

Table of Contents	2	Tools Required	3
Safety Information	2	Hardware Included	3
Warranty	2	Pre-assembly (continued)	4
3 Year Warranty	2	Package Contents	4
What is Covered	2	Assembly	5
What is Not Covered	2	Maintenance	6
Pre-assembly	3	Care and Cleaning	6
Planning Assembly	3		

Safety Information

DANGER

- Keep small parts away from children during assembly.
- Read and follow instructions carefully.

CAUTION

- Do not use power tools to assemble your furniture.
- Power tools may strip or damage parts/product.
- Do not over tighten connectors (screws, bolts, etc.) Over tightening can lead to product damage.
- Be sure to check all packing materials carefully for small parts that may have come loose inside the carton during shipment. If parts are missing, contact THE HOME DEPOT to obtain any missing parts. DO NOT USE SUBSTITUTE PARTS.
- This product should be used on a flat, level surface.
- Product is designed to hold up-to 100lbs of distributed weight. Exceeding this limit may damage the product or cause injury to the user.

WARNING

- Read these instructions carefully and keep in a safe place.
- TO GUARANTEE THE SAFE USE OF THIS PRODUCT, FOLLOW THE WARNINGS, GUIDELINES AND RECOMMENDATIONS IN THIS MANUAL.
- Adult assembly required.
- Small parts may present choking hazard prior to assembly.
- This product is not recommended to keep television as this may result in instability, causing tip over and potential death or serious injury.
- To further reduce the risk of serious injury and death from tip overs:
 - Place heaviest items in the lowest compartments or drawers.
 - Never allow children to climb or hang on drawers, doors or shelves.
 - Never open more than one drawer at a time.
 - Use of tip-over restraints may only reduce, but not eliminate, the risk of tip-over.
 - For safe mounting, it is essential to use wall anchors appropriate to your wall type (i.e. plaster, drywall, concrete, etc). Mount to wood studs whenever possible. *

Warranty

3 YEAR WARRANTY

WHAT IS COVERED

We guarantee this product to be free of manufacturing defects to the original purchaser for three years.

WHAT IS NOT COVERED

This warranty does not cover commercial use, acts of nature, and abusive use.

Pre-assembly

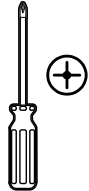
PLANNING ASSEMBLY

Keep children and pets away from the build area. Make sure that the area is large enough to unpack, sort, and assemble the unit.

TOOLS REQUIRED



Safety goggles



Phillips screwdriver

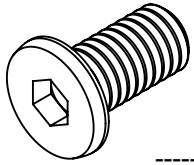


Level

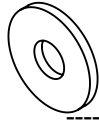
HARDWARE INCLUDED



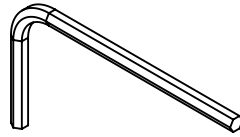
NOTE: Hardware not shown to actual size.



----AA



----BB

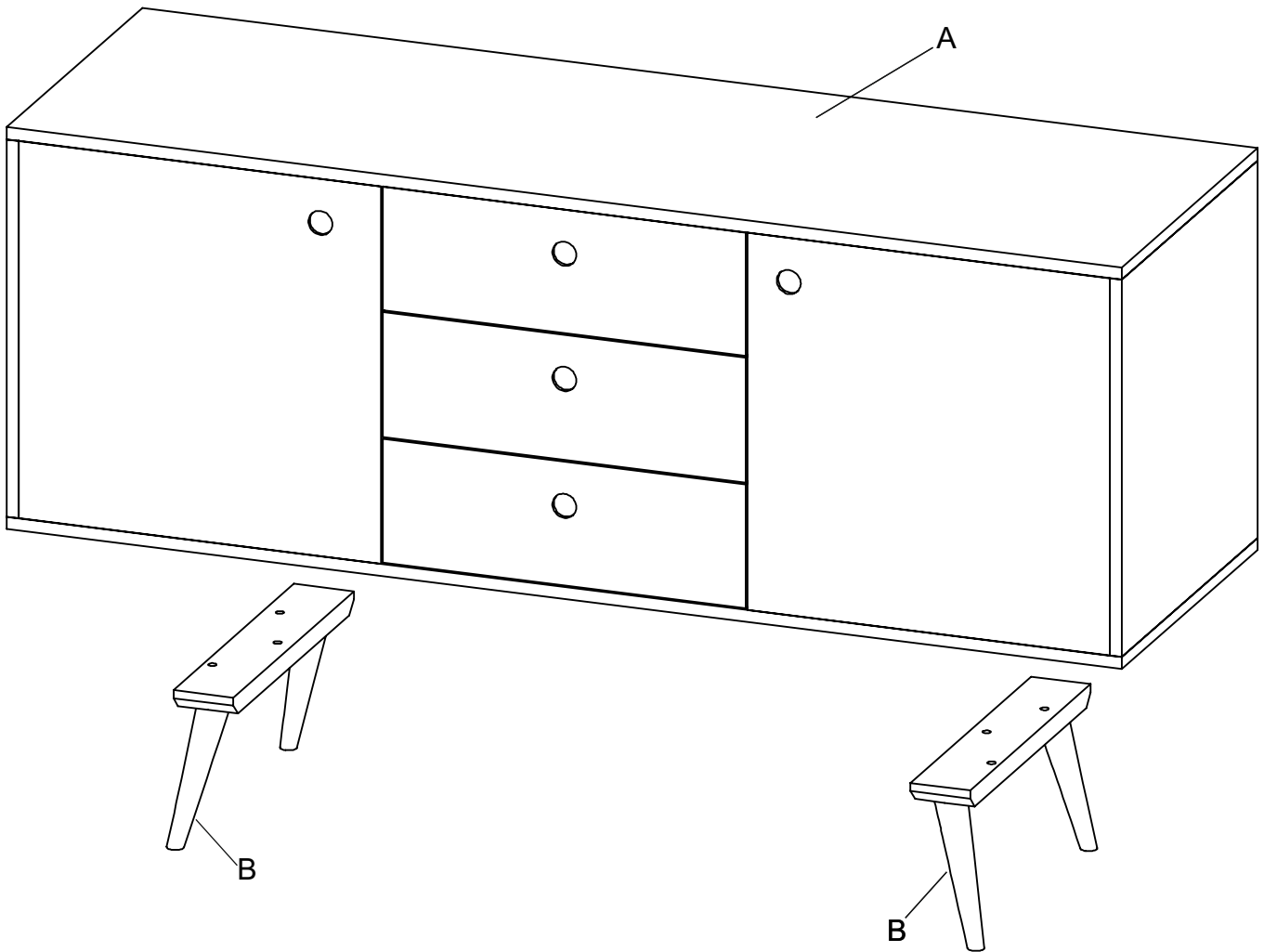


----CC

Part	Hardware Description	Quantity
AA	M6X35 BOLT	06
BB	M 8X25	06
CC	HEX KEY	01

Pre-assembly (continued)

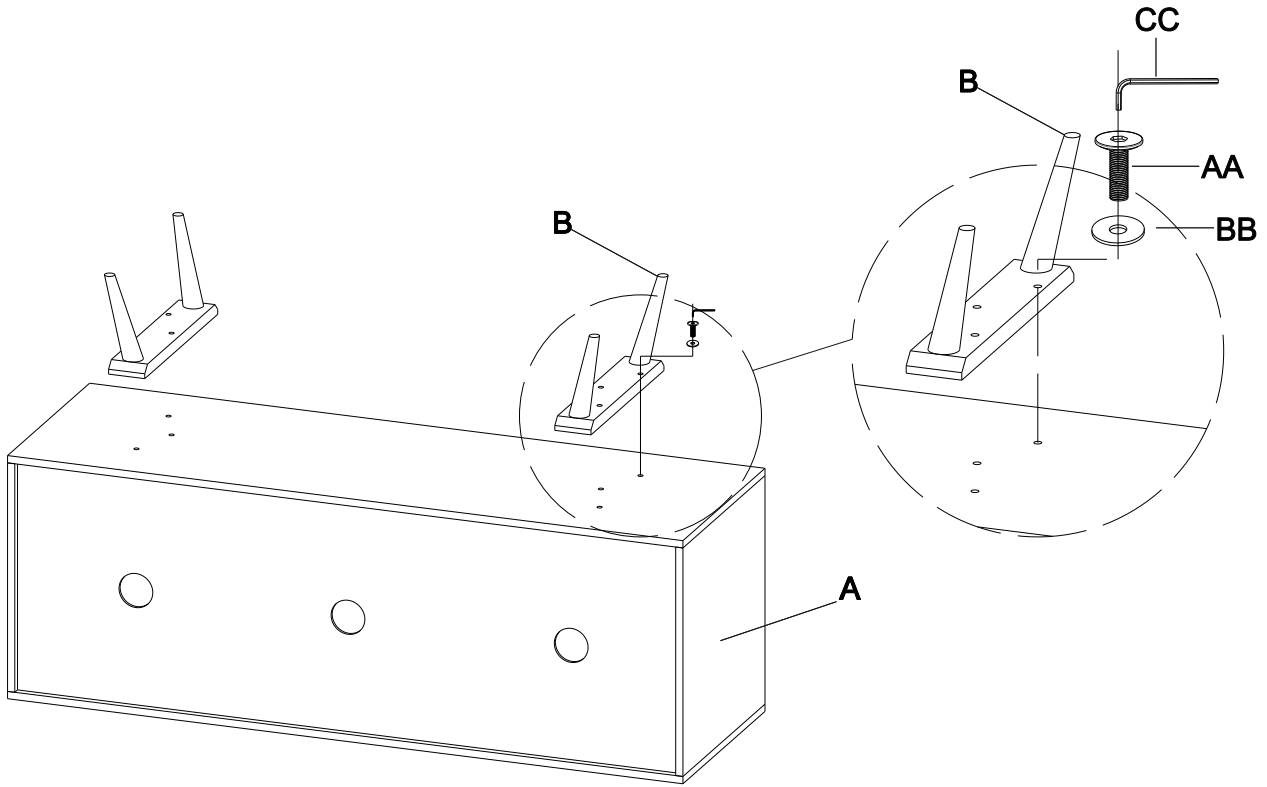
PACKAGE CONTENTS



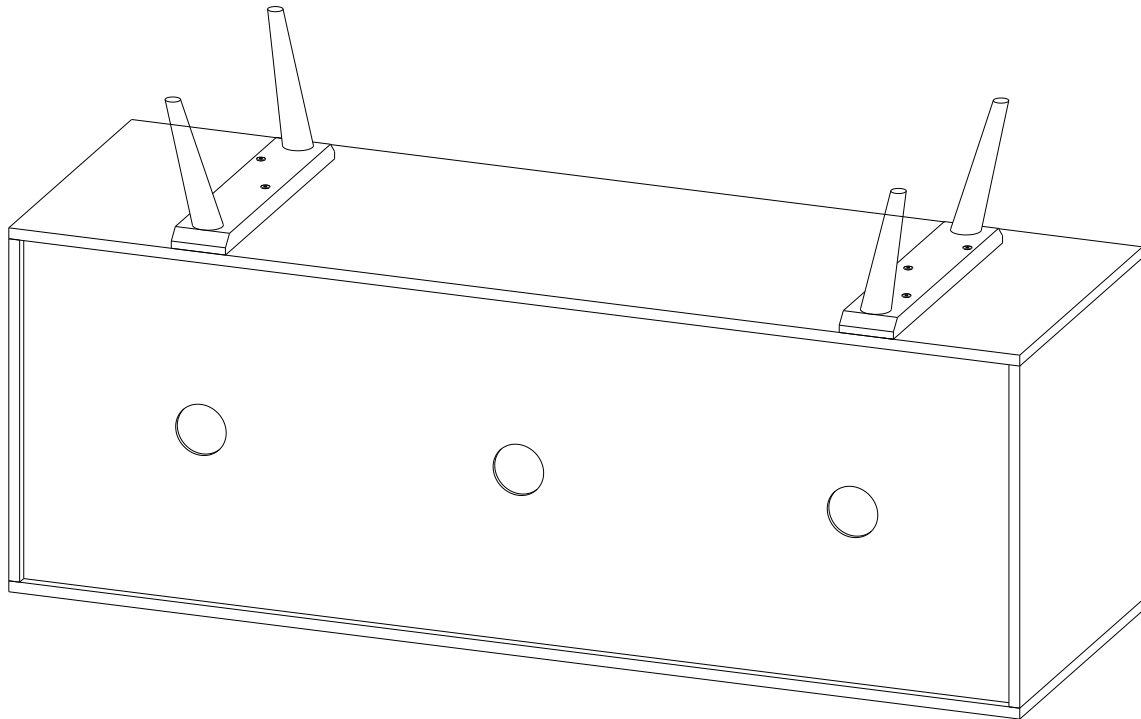
PART	PART NUMBER	QTY.
A	CASE	01
B	LEG	02

Assembly

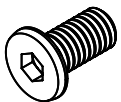
1



2



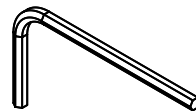
M6X35
(AA)X06



M8X25
(BB)X06



HEX KEY
(CC)X1



Maintenance

- Keep the product away from heat & sunlight.
- Prolonged exposure to heat sources may cause scorching, or even cause color to fade.
- Regular vacuuming and light brushing helps to remove dirt and prevent soil buildup, which increases the appearance of wear.
- Periodically (every 90 days), make sure that the screws are fully tightened.

Care and Cleaning

- Vacuum your product regularly. Small dust particles are very abrasive and can wear furniture prematurely.
- Never use harsh chemicals or solvents on your product, as this may damage the metal.
- Marks and stains from pens, crayons and ink markers are difficult to remove. In the event your product becomes permanently stained, we recommend that you consult a professional.

**HOME
DECORATORS
COLLECTION®**

Questions, problems, missing parts?
Before returning to the store, call Home Decorators Collection Customer Service.
8 a.m. – 7 p.m., EST, Monday – Friday, 9 a.m. – 6 p.m., EST, Saturday

1-800-998-7021

[HOMEDEPOT.COM/HOMEDECORATORS](https://www.homedepot.com/homedecorators)

Retain this manual for future use.