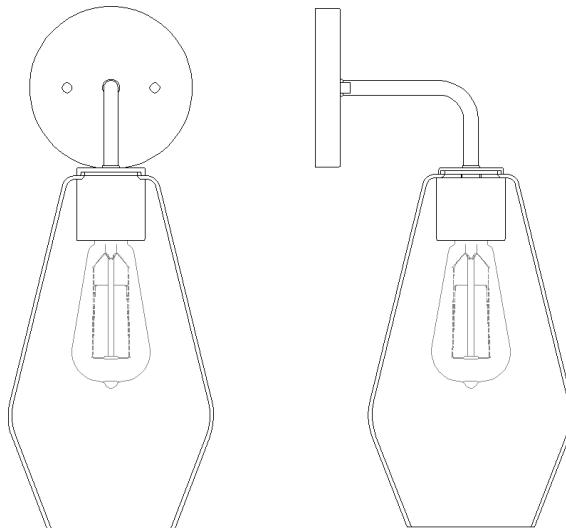


**Item Number: EAZYAIHD23611S6**

**WARNING** (To reduce the risk of fire, electric shock, or injury to persons):


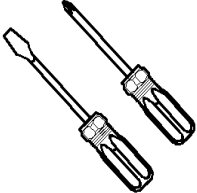
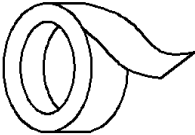
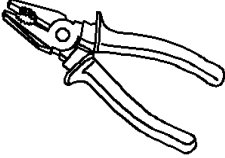
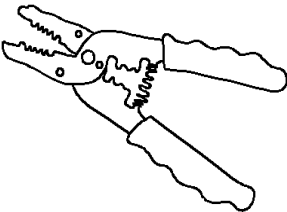
1. We suggest installation by a **licensed electrician**.
2. Please read the instruction carefully and save it as you may need it at later time.
3. Before you start, **NEVER** attempt any work without shutting off the electricity until the work is done. A). Go to the main fuse, or circuit breaker, box in your home. Place the main power switch in the “**OFF**” position. B). Place the wall switch in the “**OFF**” position.
4. Mounting surface should be clean, dry, flat, strong enough and 1/4” larger than the canopy on all side. Any gaps between the mounting surface and canopy exceeding 3/16” should be corrected as required.
5. Make sure that the ceiling or wall can stand the weight of the lamp before fixture.
6. Make sure the voltage you are using is **120V**. The maximum wattage is **60W** per bulb.
7. Keep the lamp away from acidic and basic objects in case of damaging the surface of the lamp.
8. When replacing bulb, you should turn off or unplug the lamp and you must wait until it is cool as bulbs get hot quickly.
9. The safety instructions appearing in this manual are not meant to cover all possible conditions that may occur. It must be understood that common sense, caution and care must be used with any electrical products.

**IMAGE FOR FINISHED PRODUCT:**



**TOOLS REQUIRED (NOT INCLUDED):**

Before doing assembly and installation please prepare the needed tools as below picture

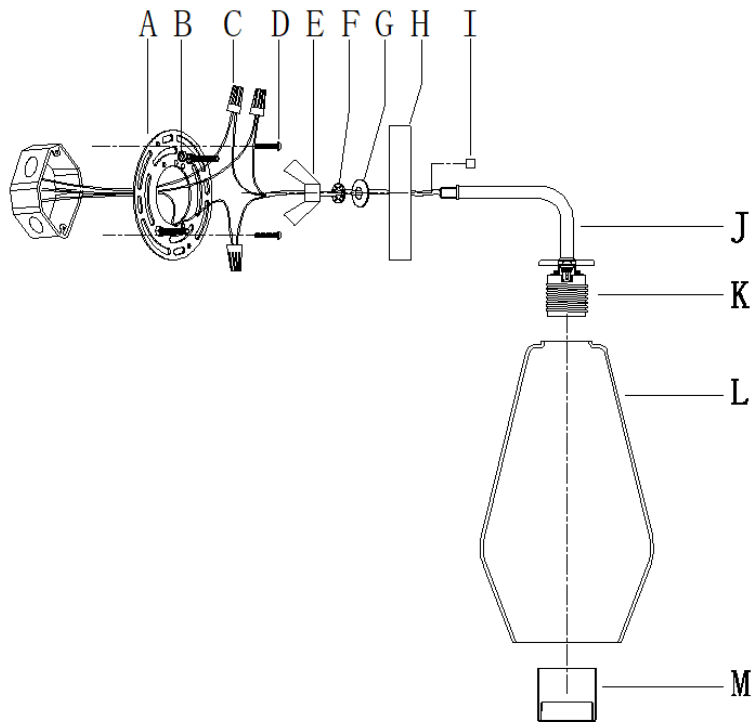
				
<p>Ladder</p>	<p>Phillips head.flat blade screwdriver</p>	<p>Electrical tape</p>	<p>Pliers</p>	<p>Wire cutter/Stripper</p>

**PARTS INCLUDING:**

- (A) Mounting plate (1)
- (B) Green ground screw (1)
- (E) Butterfly nut (1)
- (F) Serrated washer (1)
- (G) Flat washer (1)
- (H) Back plate (1)
- (I) Knob ball (2)
- (J) Arm (1)
- (K) Socket (1)
- (L) Glass shape (1)
- (M) Socket ring (1)

**ACCESSORIES ENCLOSED:**

- (C) Plastic wire connector (3)
- (D) Mounting screw (2)



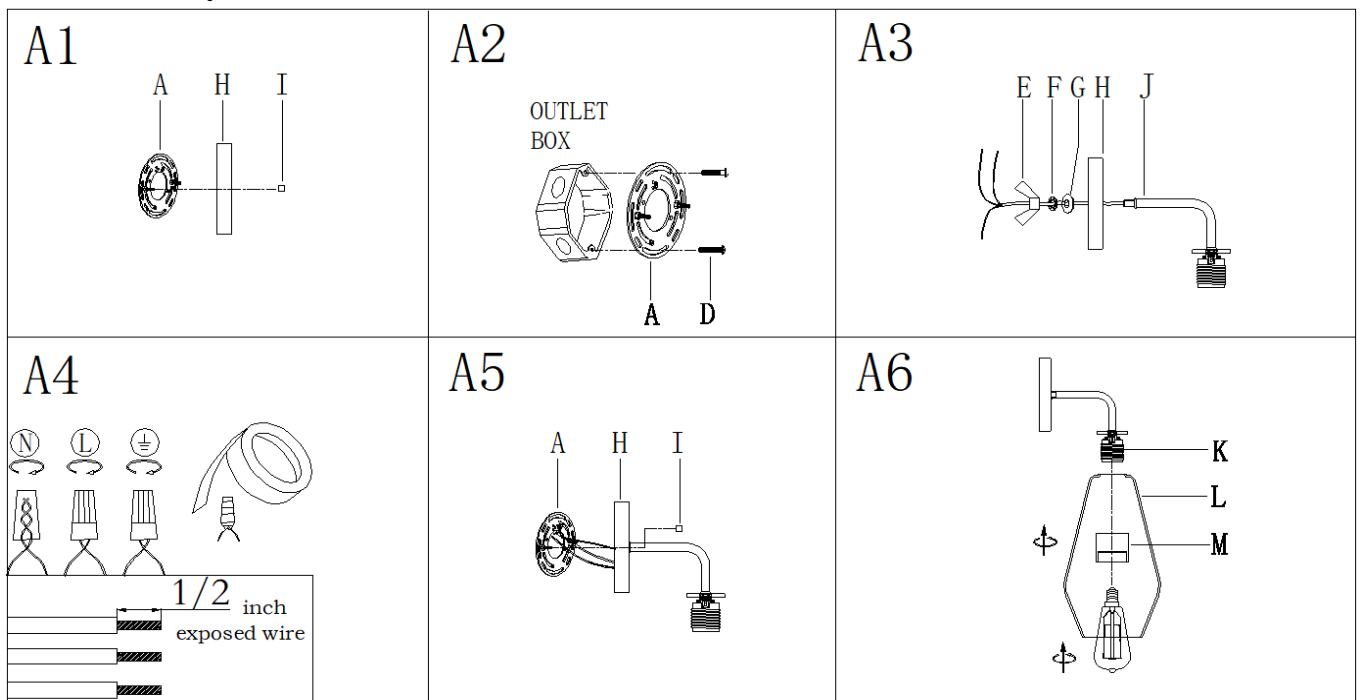
**ASSEMBLY & INSTALLATION INSTRUCTIONS:**

**1. Carefully remove the fixture from the carton and check that all parts and accessories are included as shown in the above illustration**

**2. Turn off power**

**Before you start to make installation, NEVER attempt any work without shutting off the electricity until the work is done. A). Go to the main fuse, or circuit breaker, box in your home. Place the main power switch in the "OFF" position. B). Place the wall switch in the "OFF" position.**

**3. Make assembly**



Step A1: Unscrew the knob balls (I) from the back plate(H) then gently remove the mounting plate (A).

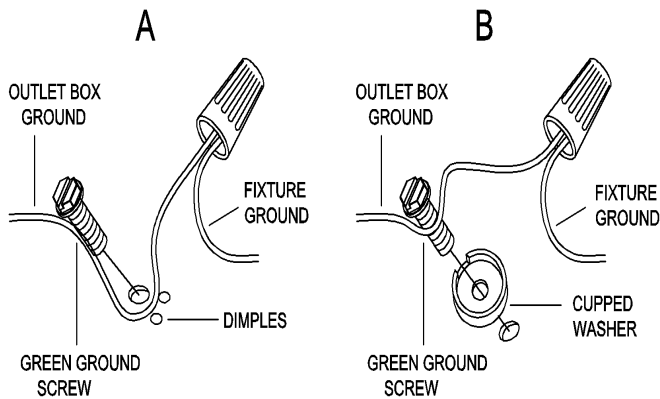
Step A2: Secure mounting plate (A) to outlet box with mounting screws (D).

Step A3: Slip the back plate (H), flat washer (G) and serrated washer (F) over the wires to the top end of arm (J) ,secure with butterfly nut (E ) serrated washer(F) and flat washer (G).

Step A4: Make wire connections

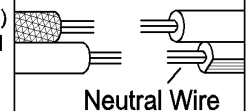
Connect wires as below wires connecting shown. **TAKE NOTE OF YOUR WIRE COLOR OF FIXTURE ,NEVER CONNEC WIRE TO GROUND WIRE**

**Connect ground wire according to below chart    Connect wires according to below chart**



Connect Black or Red Supply Wire to:	Connect White Supply Wire to:
Black	White
*Parallel cord ( round & smooth )	*Parallel cord ( square & ridged )
Clear,Brown,Gold or Black without tracer	Clear,Brown,Gold or Black with tracer
Insulated wire ( other than green ) with copper conductor	Insulated wire ( other than green ) with silver conductor

\*Note: When parallel wires ( SPT I & SPT II ) are used. The neutral wire is square shaped or ridged and the other wire will be round in shape or smooth ( see illus. )



Twist plastic wire connector until wires are tightly joined together,wrap each connector with approved electrical tape.Be sure that no wire strands are exposed and then carefully tuck all wires into the outlet box .

Step A5: Align the holes in the back plate (H) with the mounting screws, then attach the back plate (H) using the previously removed knob balls (I) . Hand tighten until snug.

Step A6: Unscrew the socket ring (M) from the socket. Then fix the glass shade (L) on the socket (K) with the socket ring (M).

Install bulbs (Not included. Please do not exceed the maximum capacity recommended on the socket.)

**4. Check everything installed properly, then you could turn on the light. Enjoy !**

**CLEANING**

To clean, wipe fixture with a soft cloth. Clean glass with a mild soap. Do not use abrasive materials such as scouring pads or powders, steel wool or abrasive paper.

**ORDERING PARTS**

Keep this sheet for future reference, and in case you need to order replacement parts. All parts for this fixture can be ordered from place of purchase. Be sure to use exact wording from illustration when ordering parts.