



INSTALLATION
INSTRUCTIONS

SinkLink

877.946.5725
Toledo, Ohio
Sales@MRDirectInt.com
www.MRDirectInt.com

Required Tools

- | | |
|---------------------|---------------------------------------|
| Pencil | Wood Screws* |
| Router | Sander |
| Silicone Glue & Gun | Sandpaper |
| Power Drill | Denatured Alcohol |
| Circular saw | Microfiber Cloth |
| Jigsaw | Safety Glasses & Gloves (Recommended) |

*Length of screws will depend on thickness of countertop

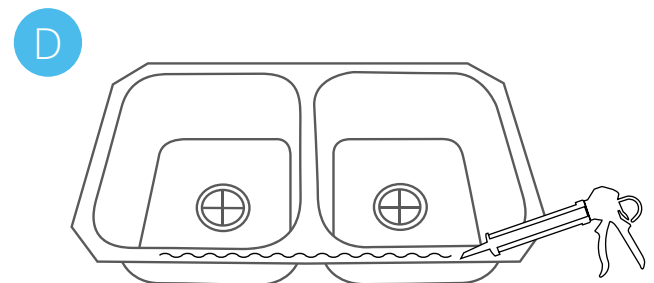
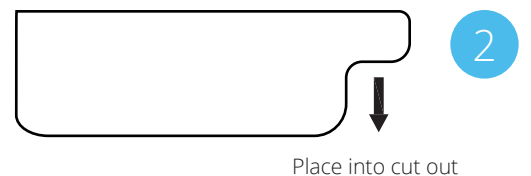
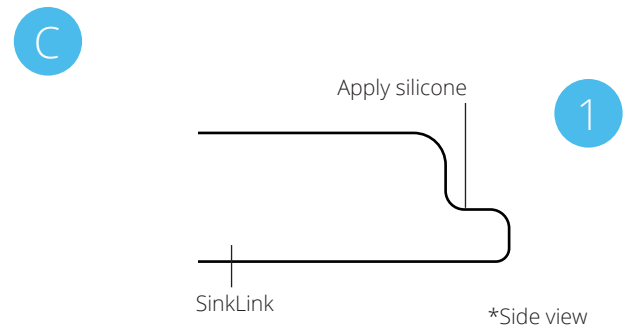
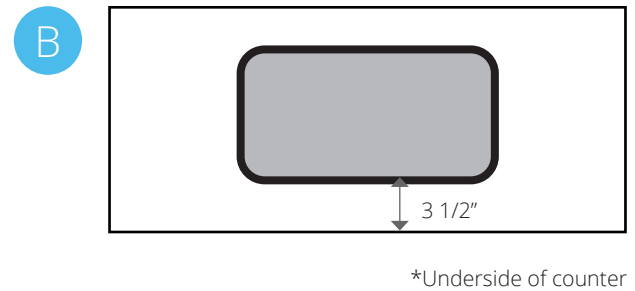
SinkLink Installation

Please read and follow these directions carefully:

- ▶ 1. Place the SinkLink, flat side up, on the desired location of your blank particleboard countertop. (See Figure A)
- ▶ 2. Trace the exterior bottom edge (where the SinkLink and particleboard countertop meet) onto the countertop. This will become the underside of the countertop.
- ▶ 3. Ensure the traced line is accurate before cutting the hole by aligning the top of your sink to the cut-out hole. Then, carefully cut your particleboard countertop using a circular saw and jig-saw. (See Figure B)
- ▶ 4. After the particleboard countertop is cut, test to make sure the fit of the SinkLink is secured with no gaps by inserting it into the hole.
- ▶ 5. Apply a line of silicone to the SinkLink and insert it into the particleboard. Then, carefully drill wood screws into the SinkLink for added support. (See Figure C)
Note: Screw length is dependent on your countertop thickness.

OPTIONAL: Before installing the sink, it is recommended to sand the sink's top edge and wipe with denatured alcohol for better silicone adhesion.

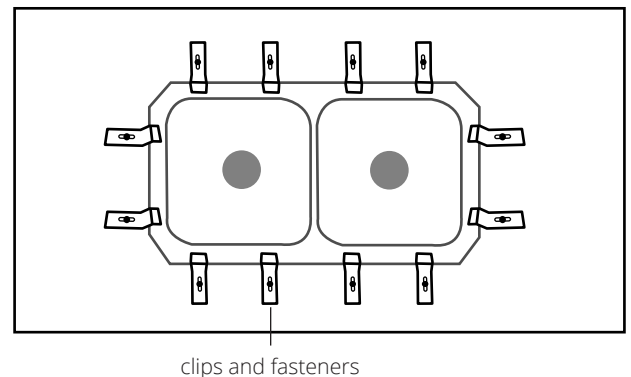
- ▶ 6. Prepare to install the undermount sink by determining the locations for the clip brackets around the perimeter of the sink.
- ▶ 7. With denatured alcohol, clean the surfaces of the sink and SinkLink which will meet.
- ▶ 8. Evenly apply a line of silicone along the perimeter edge of the sink. (NOTE: Use silicone to assemble, not two-part epoxy.) (See Figure D)
- ▶ 9. Carefully align the sink with the SinkLink and evenly apply pressure to the sink, securing it into place. Re-check that the sink is evenly aligned with the countertop.



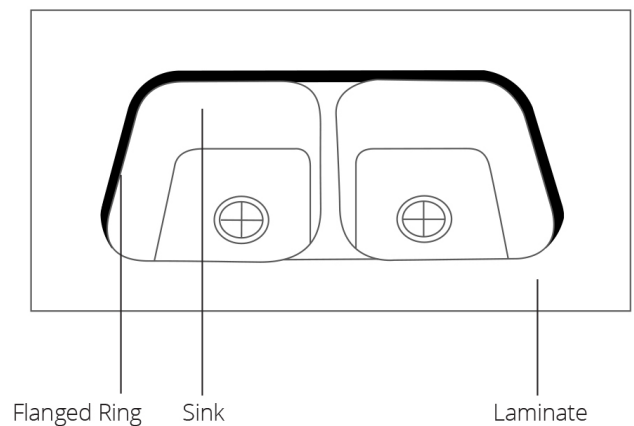
- ▶ 10. Attach and tighten the included clip brackets against the edge of the sink with 3/4" wood screws. Do not tighten one screw completely before others. Partially tighten one clip then the one across from it, and so on until all clips are fully tightened. This will safeguard against an uneven or insecure installation. (See Figure E)
- ▶ 11. Remove any excess silicone along the sink lip under the countertop.
- ▶ 12. Use a cloth with denatured alcohol along the inner perimeter of the sink and top of the counter to remove any excess sealant.
- ▶ 13. After the sink is installed and secured in place, use a belt sander to sand the topside of the countertop and SinkLink to ensure the surface of the SinkLink is leveled with the surface of the counter.
- ▶ 14. Clean and remove any dust/debris from the countertop to prepare for the adhesion of the laminate top.
- ▶ 15. Install the laminate top by following the manufacturer's instructions.
- ▶ 16. Use a router (or preferred tool) to cut a hole around the inner perimeter of the installed sink.
- ▶ 17. Using a fine-grit sandpaper, sand the inside ring of the SinkLink until you reach a desired finish.
- ▶ 18. After the sink is completely installed, you may drill holes for the faucet into your laminate countertop and move forward with the standard plumbing process.

E

*Underside of counter



Slanted aerial view



- ▶ For more information including how-to video content, visit mrdirectint.com/sinklink