

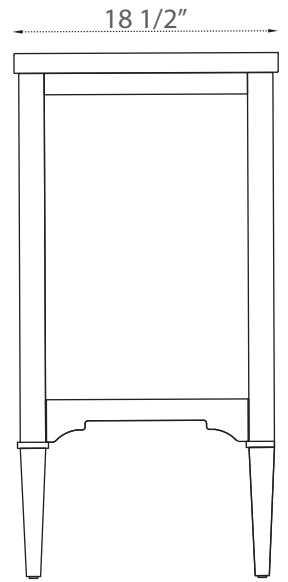
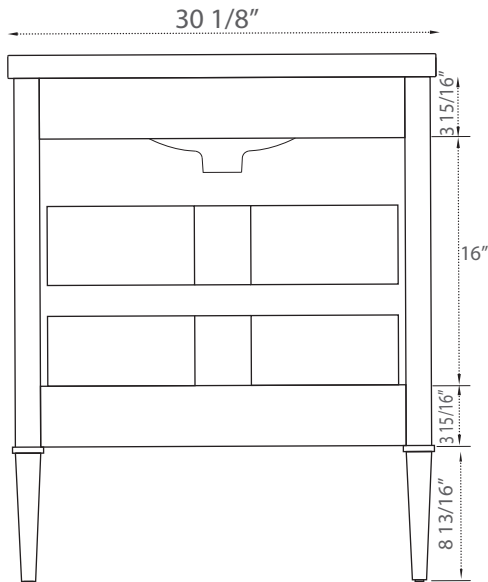
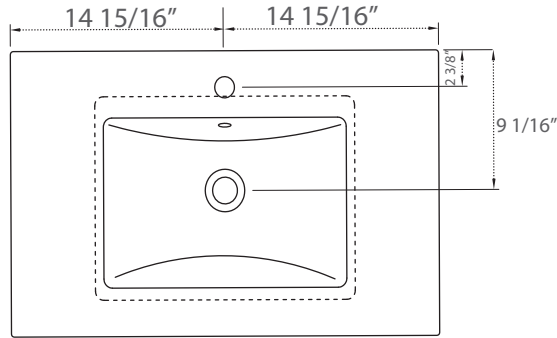
SPECIFICATION

SKU CODE:

S01-30-WT

COLLECTION: Mason

DIMENSIONS: W 30" | D 18 1/2" | H 34"



PRODUCT OVERVIEW

- Solid hardwood cabinet
- White Finish
- Soft closing cabinet drawers
- Three Drawers
- Satin Brass Hardware

CARE AND CLEANING

- Avoid using any type of rough cleaners or chemicals on the finish.
- Cabinet finish is water resistant, use mild liquid soap and a soft cloth to clean the cabinet body.
- Scrub the cabinet smoothly, while cleaning do not remove or scratch the finish.

WARRANTY

Design Element warrants marble, fittings and finishes to be free from any defect in workmanship and materials under normal use and service for a period of one (1) year. In case of any damage, report it within 30 days.

CONTACT SUPPORT

PHONE: (888) 487-4488

EMAIL: cs@designelementusa.com

ADDRESS: 8715 Boston place, Rancho Cucamonga, CA. 91730

www.designelement.com

