

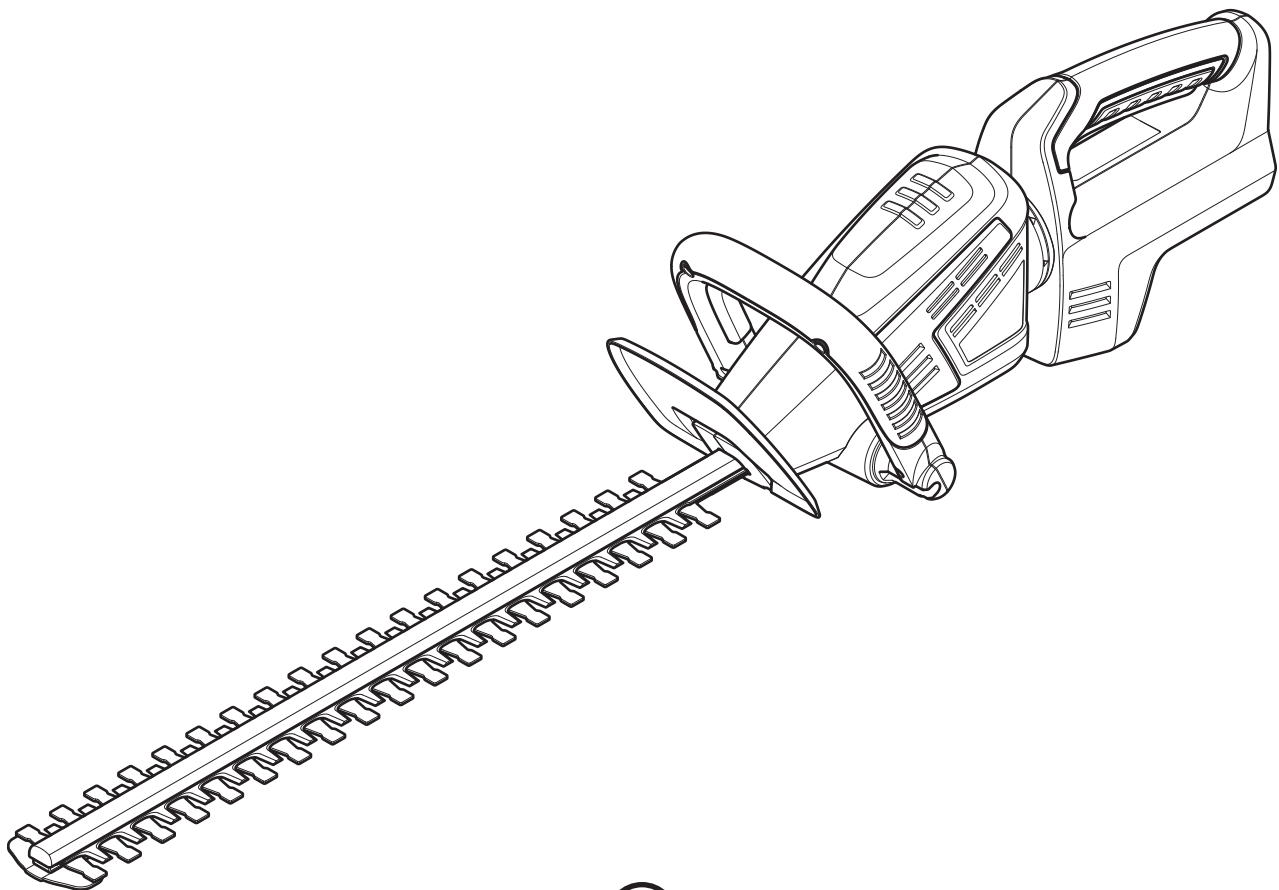
# **REMINGTON®**

## **Operator's Manual**

ORIGINAL INSTRUCTIONS

### **RM4020 / RM4020B**

**Cordless Hedge Trimmer**



### **SAVE THESE INSTRUCTIONS**

**IMPORTANT:** Read this manual thoroughly before using this product. Follow all instructions.

## TABLE OF CONTENTS

Service .....	2
Safety .....	2
Know Your Unit .....	9
Specifications .....	10
Assembly .....	10
Starting and Stopping .....	12
Operation .....	12
Maintenance .....	14
Cleaning and Storage .....	15
Troubleshooting .....	16
Warranty .....	17

**NOTE:** This operator's manual covers multiple models. Features may vary by model. Not all features in this manual are applicable to all models. The model depicted may differ from yours.

All information, illustrations, and specifications in this manual are based on the latest product information available at the time of printing. We reserve the right to make changes at any time without notice.

The product may vary slightly from the illustrations contained in this manual.

Copyright© 2017 MTD SOUTHWEST INC, All Rights Reserved.

## SERVICE

**DO NOT RETURN THIS UNIT TO THE RETAILER. PROOF OF PURCHASE WILL BE REQUIRED FOR WARRANTY SERVICE.**

For assistance regarding the assembly, operation or maintenance of the unit, please call **1-866-206-2707** (in the United States) or **1-877-696-5533** (in Canada). Additional information can be found at [www.remingtonpowertools.com](http://www.remingtonpowertools.com).

Warranty service is available through an authorized service center. To locate a service center in your area, please visit our website or call the number listed above. Service on this unit, both within and after the warranty period, should only be performed by an authorized and approved service center. When servicing, use only identical replacement parts.

## SAFETY

The purpose of safety symbols is to attract your attention to possible dangers. The safety symbols, and their explanations, deserve your careful attention and understanding. The safety warnings do not by themselves eliminate any danger. The instructions or warnings they give are not substitutes for proper accident prevention measures.



### CALIFORNIA PROPOSITION 65

**WARNING:** This product contains a chemical known to the state of California to cause cancer, birth defects or other reproductive harm.

SYMBOL	MEANING
--------	---------



**DANGER:** Signals an EXTREME hazard. Failure to obey a safety **DANGER** symbol **WILL** result in serious injury or death to yourself or to others.



**WARNING:** Signals a SERIOUS hazard. Failure to obey a safety **WARNING** symbol **CAN** result in serious injury to yourself or to others.



**CAUTION:** Signals a MODERATE hazard. Failure to obey a safety **CAUTION** symbol **MAY** result in property damage or injury to yourself or to others.

**NOTE:** Advises you of information or instructions vital to the operation or maintenance of the equipment.

**Read the operator's manual and follow all warnings and safety instructions. Failure to do so can result in serious injury to the operator and/or bystanders.**

# • IMPORTANT SAFETY INSTRUCTIONS •

## GENERAL POWER TOOL SAFETY WARNINGS



**WARNING:** Read all safety warnings and all instructions. Failure to follow the warnings and instructions may result in electric shock, fire and/or serious injury.

Save all warnings and instructions for future reference.

The term “power tool” in the warnings refers to your mains-operated (corded) power tool or battery-operated (cordless) power tool.

### 1) Work Area Safety

- Keep work area clean and well lit.** Cluttered or dark areas invite accidents.
- Do not operate power tools in explosive atmospheres, such as in the presence of flammable liquids, gases or dust.** Power tools create sparks which may ignite the dust or fumes.
- Keep children and bystanders away while operating a power tool.** Distractions can cause you to lose control.

### 2) Electrical Safety

- Power tool plugs must match the outlet. Never modify the plug in any way. Do not use any adapter plugs with earthed (grounded) power tools.** Unmodified plugs and matching outlets will reduce risk of electric shock.
- Avoid body contact with earthed or grounded surfaces such as pipes, radiators, ranges and refrigerators.** There is an increased risk of electric shock if your body is earthed or grounded.
- Do not expose power tools to rain or wet conditions.** Water entering a power tool will increase the risk of electric shock.
- Do not abuse the cord. Never use the cord for carrying, pulling or unplugging the power tool. Keep cord away from heat, oil, sharp edges or moving parts.** Damaged or entangled cords increase the risk of electric shock.
- When operating a power tool outdoors, use an extension cord suitable for outdoor use.** Use of a cord suitable for outdoor use reduces the risk of electric shock.
- If operating a power tool in a damp location is unavoidable, use a ground fault circuit interrupter (GFCI) protected supply.** Use of a GFCI reduces the risk of electric shock.

### 3) Personal Safety

- Stay alert, watch what you are doing and use common sense when operating a power tool. Do not use a power tool while you are tired or under the influence of drugs, alcohol or medication.** A moment of inattention while operating power tools may result in serious personal injury.
- Use personal protective equipment. Always wear eye protection.** Protective equipment such as dust mask, non-skid safety shoes, hard hat, or hearing protection used for appropriate conditions will reduce personal injuries.
- Prevent unintentional starting. Ensure the switch is in the off-position before connecting to power source and/or battery pack, picking up or carrying the tool.** Carrying power tools with your finger on the switch or energizing power tools that have the switch on invites accidents.
- Remove any adjusting key or wrench before turning the power tool on.** A wrench or a key left attached to a rotating part of the power tool may result in personal injury.
- Do not overreach. Keep proper footing and balance at all times.** This enables better control of the power tool in unexpected situations.

- Dress properly. Do not wear loose clothing or jewelry. Keep your hair, clothing and gloves away from moving parts.** Loose clothes, jewelry or long hair can be caught in moving parts.
- If devices are provided for the connection of dust extraction and collection facilities, ensure these are connected and properly used.** Use of dust collection can reduce dust-related hazards.

### 4) Power Tool Use and Care

- Do not force the power tool. Use the correct power tool for your application.** The correct power tool will do the job better and safer at the rate for which it was designed.
- Do not use the power tool if the switch does not turn it on and off.** Any power tool that cannot be controlled with the switch is dangerous and must be repaired.
- Disconnect the plug from the power source and/or the battery pack from the power tool before making any adjustments, changing accessories, or storing power tools.** Such preventive safety measures reduce the risk of starting the power tool accidentally.
- Store idle power tools out of the reach of children and do not allow persons unfamiliar with the power tool or these instructions to operate the power tool.** Power tools are dangerous in the hands of untrained users.
- Maintain power tools. Check for misalignment or binding of moving parts, breakage of parts and any other condition that may affect the power tool’s operation. If damaged, have the power tool repaired before use.** Many accidents are caused by poorly maintained power tools.
- Keep cutting tools sharp and clean.** Properly maintained cutting tools with sharp cutting edges are less likely to bind and are easier to control.
- Use the power tool, accessories and tool bits etc. in accordance with these instructions, taking into account the working conditions and the work to be performed.** Use of the power tool for operations different from those intended could result in a hazardous situation.

### 5) Battery tool use and care

- Recharge only with the charger specified by the manufacturer.** A charger that is suitable for one type of battery pack may create a risk of fire when used with another battery pack.
- Use power tools only with specifically designated battery packs.** Use of any other battery packs may create a risk of injury and fire.
- When battery pack is not in use, keep it away from other metal objects, like paper clips, coins, keys, nails, screws or other small metal objects, that can make a connection from one terminal to another.** Shorting the battery terminals together may cause burns or a fire.
- Under abusive conditions, liquid may be ejected from the battery; avoid contact. If contact accidentally occurs, flush with water. If liquid contacts eyes, additionally seek medical help.** Liquid ejected from the battery may cause irritation or burns.

### 6) Service

- Have your power tool serviced by a qualified repair person using only identical replacement parts.** This will ensure that the safety of the power tool is maintained.

## Hedge Trimmer Safety Warnings

	<b>DANGER:</b> KEEP HANDS AWAY FROM BLADE. Contact with blade will result in serious personal injury.
--	---


- Use both hands when operating the hedge trimmer. Using one hand could cause loss of control and result in serious personal injury.
- Keep all parts of the body away from the cutter blade. Do not remove cut material or hold material to be cut when blades are moving. Make sure the switch is off when clearing jammed material. Blades coast after turn off. A moment of inattention while operating the hedge trimmer may result in serious personal injury.
- Carry the hedge trimmer by the handle with the cutter blade stopped. When transporting or storing the hedge trimmer always fit the cutting device cover. Proper handling of the hedge trimmer will reduce possible personal injury from the cutter blades.
- Hold the power tool by insulated gripping surfaces only, because the cutter blade may contact hidden wiring or its own cord. Cutter blades contacting a "live" wire may make exposed metal parts of the power tool "live" and could give the operator an electric shock.


	<b>WARNING:</b> Read all safety warnings and all instructions. Failure to follow the warnings and instructions may result in electric shock, fire and/or serious injury.
--	--

### READ ALL INSTRUCTIONS BEFORE OPERATING

1. **SAVE THESE INSTRUCTIONS** - This manual contains important safety and operating instructions.
2. Before using this product, read all instructions and cautionary markings on the battery, battery charger, and the unit(s) powered by the battery.
3. Do not handle the charger, including the charger plug and charger terminals, with wet hands.
4. Do not charge the unit outdoors.

	<b>WARNING:</b> Only use RM4130, RM4140 or RM4150 batteries with this unit. <b>DO NOT</b> use any other type of battery, attachment or accessory with this unit. Other types of batteries, attachments or accessories could lead to serious injury, property damage or damage to the unit.
---	--

	<b>WARNING:</b> Only charge RM4130, RM4140 or RM4150 batteries with an RM4110 battery charger. <b>DO NOT</b> attempt to use any other battery charger to charge RM4130, RM4140 or RM4150 batteries. Other types of battery chargers may cause the batteries to burst, resulting in fire, personal injury or property damage.
---	--

	<b>WARNING:</b> Only use an RM4110 battery charger to charge RM4130, RM4140 or RM4150 batteries. <b>DO NOT</b> attempt to charge any other batteries with an RM4110 battery charger. Other types of batteries may burst, causing fire, personal injury or property damage.
---	--

## GENERAL SAFETY WARNINGS

- Read the instructions carefully. Be familiar with the controls and proper use of the unit. Know how to stop the unit and disengage the controls quickly.
- Stay alert. Do not operate this unit when tired, ill or under the influence of alcohol, drugs or medication.
- Never allow children to operate the unit. Teens must be trained, accompanied and supervised by an adult. Never allow adults to operate the unit without proper instruction.
- All guards and safety attachments must be installed properly before operating the unit.
- Inspect the unit before use. Check for damaged parts. Make sure all parts operate properly. Make sure all fasteners are in place and secure. Make sure all moving parts are properly aligned and are not bound. Replace parts that are cracked, chipped, or damaged in any way. Have all damaged or improperly working parts repaired or replaced by an authorized service center. Do not operate the unit with loose or damaged parts.
- Be aware of risk of injury to the head, hands and feet.
- Carefully inspect the area before starting the unit. Remove rocks, broken glass, nails, wire, string and other objects that may be thrown or become entangled with the unit.
- Clear the area of children, bystanders and pets; keep them outside a 50-foot (15 m) radius, at a minimum. Even then, they are still at risk from thrown objects. Encourage bystanders to wear eye protection. If you are approached, stop the unit immediately.
- This unit is intended for occasional, household use only.
- Do not allow the unit to be used as a toy.

## SAFETY WARNINGS FOR ELECTRIC UNITS

### General Electric Safety

- Do not expose the unit to rain or wet conditions. Store the unit indoors.
- Do not handle the unit with wet hands.
- Avoid dangerous environments. Do not operate the unit in the rain, in wet conditions or on wet surfaces. Moisture is a shock hazard.
- To reduce the risk of electric shock, avoid body contact with grounded conductors, such as metal pipes or wire fences.
- Do not operate the unit in explosive atmospheres, such as in the presence of flammable liquids, gases or dust.

### Battery Charger Safety

- Follow all charging instructions. Do not charge the battery outside the temperature range specified in these instructions. Improperly charging the battery or charging the battery outside of the specified temperature range may damage the battery and increase the risk of fire.
- A nameplate on the unit indicates the voltage used. Never connect the unit to an AC voltage that differs from this voltage.
- An extension cord should not be used unless absolutely necessary. Use of an improper extension cord could result in a risk of fire, electric shock or electrocution.
- Do not use multiple extension cords.
- Make sure the extension cord is heavy enough to carry the current drawn by the unit. An undersized extension cord will cause a drop in line voltage, resulting in a loss of power and overheating. If in doubt, use the next heavier gauge cord. The smaller the gauge number, the heavier the cord.

### MINIMUM WIRE SIZE FOR EXTENSION CORDS FOR 120 VOLT APPLIANCES USING 0-6 AMPS

Cord Length (ft.)	25	50	100	150
Wire Size (AWG)	16	16	16	14

- Make sure the cords are in good condition. Inspect the power cord and extension cord periodically. Look closely for deterioration, cuts or cracks in the insulation. If a cord is damaged in any manner while plugged in, disconnect the cord from both the outlet and the unit. Do not use a damaged cord. Damaged cords should be repaired or replaced.
- Do not abuse cords. Never pull or carry the unit by a cord. Keep cords away from heat, oil, water, sharp edges, and moving objects. Always grasp the plug when disconnecting a cord.
- Never modify a plug, cord or outlet in any way.
- Ground Fault Circuit Interrupter (GFCI) protection should be provided on the circuit(s) or outlet(s) to be used with this unit. For an extra measure of safety, use receptacles with built-in GFCI protection.
- Do not place the battery charger where cords might be stepped on, tripped over or subjected to damage.
- Do not charge batteries in the rain or in wet conditions. Keep the battery charger in a cool and dry area.
- Keep the battery charger away from all liquid.
- Do not allow small metal items or material such as steel wool, aluminum foil or other foreign particles into the charger port.
- Do not probe the charger with conductive material. There is a risk of electric shock.
- Do not cover the battery charger. The battery charger may overheat.
- Do not allow the battery or battery charger to overheat. If they are warm, allow them to cool down. Only charge batteries in temperatures between 32° and 104° F (0° and 40° C).
- Always unplug the battery charger before cleaning it. Always unplug the battery charger when it is not in use.

### Battery Safety

- Do not expose the battery to fire or to temperatures over 176° F (80° C). Doing so could cause an explosion.
- Handle batteries with care. Do not short the battery with conductive materials, such as rings, bracelets, keys, etc. Shorting the battery may cause personal injury, damage to the battery or a fire.
- When the battery is not in use, keep it away from small metal objects, such as paper clips, coins, nails, etc. These items could connect one terminal to another and short the battery.
- Do not attempt to charge a cracked or damaged battery.
- Do not use a damaged or modified battery. Doing so could result in a fire, explosion or personal injury.



**WARNING:** The battery may present a risk of fire or chemical burn if mistreated. Do not disassemble, overheat or incinerate the battery. The battery may develop a small leak under extreme usage or temperature conditions.

#### If battery fluid contacts skin:


- Immediately wash the area with soap and water.
- Neutralize the battery fluid with a mild acid (lemon juice, vinegar, etc.).
- Seek immediate medical attention.

#### If battery fluid gets in the eyes:

- Immediately flush the eyes with clean water for at least 15 minutes.
- Seek immediate medical attention.



## DISPOSING OF DAMAGED OR WORN-OUT BATTERIES

	<b>WARNING:</b> The following toxic and corrosive material is used in this unit's battery: LITHIUM-ION, a toxic material.
--	--

	<b>WARNING:</b> To prevent contamination of the environment, contact your local waste disposal agency for specific instructions before disposing of damaged or worn-out lithium-ion batteries. Take batteries to a local recycling and/or disposal center, certified for lithium-ion battery disposal.
--	--

	<b>WARNING:</b> Do not use broken or cracked batteries, even if there isn't leakage. Replace damaged or worn-out batteries with new batteries. <b>DO NOT ATTEMPT TO REPAIR BATTERIES!</b> Repair attempts may result in severe personal injury, due to explosion or electrical shock.
--	---

To avoid personal injury and damage to the environment:

- Do not attempt to remove or destroy any of the battery components. Do not open or mutilate the battery. If a leak develops, released electrolytes are corrosive and toxic. Do not get the solution in your eyes or on your skin, and do not swallow it.
- Do not dispose of the battery in the regular household trash.
- Do not dispose of the battery in a fire. The cell may explode.
- Do not dispose of the battery where it will become part of any waste landfill or municipal solid waste stream.
- Cover the battery terminals with heavy-duty adhesive tape.
- Dispose of the battery according to local, state and federal regulations.
- Dispose of the battery promptly.



### About Call2Recycle Battery Seals

Call2Recycle's industry steward program helps battery and product manufacturers fulfill recycling requirements in the U.S. and Canada, including compliance with extensive state, provincial and federal regulations, such as the Mercury-Containing and Rechargeable Battery Act (The Battery Act). Call2Recycle® Licensees/Industry

Stewards, participating battery and product manufacturers and marketers, purchase the rights to imprint the Call2Recycle Battery Seals on their rechargeable batteries and products. When you see the Call2Recycle Battery Seal, you can feel confident knowing that your battery or product can be safely and responsibly recycled.

### About Call2Recycle

Since 1994, Call2Recycle has diverted more than 75 million pounds of rechargeable batteries from local landfills and established a network of 30,000 recycling drop-off locations. More than 200 battery and/or product manufacturers, Call2Recycle Industry Stewards, have united to ensure that batteries are responsibly recycled when they reach their end of life and fund the program that is operated by Call2Recycle, Inc., a 501(c)4 nonprofit public service organization.

To locate the nearest recycling center, please call **1-800-822-8837**.


## FCC STATEMENT

	<b>CAUTION:</b> Changes or modifications not expressly approved by the party responsible for compliance could void the user's authority to operate the equipment.
---	---

**NOTE:** This equipment has been tested and found to comply with the limits for a Class B digital device, pursuant to part 15 of the FCC Rules. These limits are designed to provide reasonable protection against harmful interference in a residential installation. This equipment generates, uses and can radiate radio frequency energy and, if not installed and used in accordance with the instructions, may cause harmful interference to radio communications. However, there is no guarantee that interference will not occur in a particular installation. If this equipment does cause harmful interference to radio or television reception, which can be determined by turning the equipment off and on, the user is encouraged to try to correct the interference by one or more of the following measures:

- Reorient or relocate the receiving antenna.
- Increase the separation between the equipment and receiver.
- Connect the equipment into an outlet on a circuit different from that to which the receiver is connected.
- Consult the dealer or an experienced radio/TV technician for help.

## WHILE OPERATING

	<b>WARNING:</b> To reduce the risk of electric shock, do not expose the unit to rain or wet conditions. Store the unit indoors.
--	---

- Wear safety glasses or goggles that meet current ANSI / ISEA Z87.1 standards and are marked as such. Wear ear/hearing protection when operating this unit. Wear a face mask or dust mask if the operation is dusty.
- Wear heavy long pants, boots, gloves and a long sleeve shirt. Do not wear loose clothing, jewelry, short pants, sandals or go barefoot. Secure hair above shoulder level.
- Use the unit only in daylight or good artificial light.
- Use the right tool. Only use this tool for its intended purpose.
- Always hold the unit with a firm grip when operating.
- Do not overreach. Always keep proper footing and balance. Take extra care when working on stairs, steep slopes or inclines. To avoid serious injury, do not operate the unit while on a ladder or a roof.
- Keep hair, face, hands, feet and all other body parts away from moving parts and openings. Do not touch or try to stop moving parts.
- Do not operate the unit faster than the speed needed to do the job. Do not run the unit at high speed when not in use.
- Do not force the unit. It will do a better, safer job when used at the intended rate.
- Always turn the unit off when operation is delayed or when carrying the unit from one location to another.
- Before setting the unit down, always turn the unit off and wait for all moving parts to come to a complete stop.
- Avoid starting the unit unintentionally. Make sure the trigger lockout is in the locked position before installing or removing the battery. Never carry the unit with fingers on the trigger.
- Remove the battery from the unit when it is not in use.

- Do not use the unit if the trigger and trigger lockout do not start and stop the unit.
- If the unit strikes or becomes entangled with a foreign object, stop the motor immediately, remove the battery and check for damage. If damaged, do not restart or operate the unit until it is repaired. Do not operate the unit with loose or damaged parts.
- Use only original equipment manufacturer (OEM) replacement parts and accessories for this unit. These are available from your authorized service dealer. Use of any other parts or accessories could lead to serious injury to the user, or damage to the unit, and void the warranty.
- Keep the unit clean. Stop the motor, remove the battery and allow the unit to cool. Carefully remove vegetation and other debris that could block moving parts.
- If the unit starts to vibrate abnormally, stop the motor, remove the battery and allow the unit to cool. Inspect the unit for the cause of the vibration. Vibration is generally an indicator of trouble.

## HEDGE TRIMMER SAFETY



**DANGER:** Keep all body parts (hands, feet, face, etc.) away from moving blades. Contact with moving blades will result in serious personal injury.

- Make sure the blades are not in contact with anything before starting the unit.
- Always hold the unit with both hands when operating. Using only one hand could lead to a loss of control and result in serious personal injury.
- **DO NOT** remove cut material, or hold material to be cut, while the blades are moving. Always stop the unit and remove the battery before attempting to remove debris or jammed material.
- Allow time for moving parts to stop after turning the unit off. Blades coast for a short time.
- **DO NOT** cut above shoulder height.
- **DO NOT** use the front guard as a handle.
- Keep the blades sharp and clean.
- Follow all lubrication instructions provided in this manual.
- The blades become very sharp from use. Always wear heavy gloves when handling, replacing or cleaning the blades.







## OTHER SAFETY WARNINGS






- Maintain the unit with care. Follow all maintenance instructions in this manual.
- Do not perform maintenance procedures other than those described in this manual. Do not attempt to repair the unit; there are no user-serviceable parts inside. All service, other than the maintenance procedures described in this manual, should be performed by an authorized service center.
- Do not use the unit if it is not working correctly, has been dropped, damaged, left outdoors or dropped into water. Have the unit serviced by an authorized service center.
- Never remove, modify or make inoperative any safety device furnished with the unit.
- Before inspecting, maintaining, cleaning, storing, transporting or replacing any parts on the unit:
  1. Stop the motor. Refer to *Starting and Stopping*.
  2. Wait for all moving parts to stop.
  3. Remove the battery.
  4. Allow the unit to cool.
- Secure the unit while transporting.
- Store the unit in a dry place, secured or at a height to prevent unauthorized use or damage. Keep the unit out of the reach of children.
- Never douse or squirt the unit with water or any other liquid. Avoid getting water in the motor and electrical connections. Keep handles dry and clean (free from debris, oil and grease). Clean the unit after each use. Refer to *Cleaning and Storage*. Do not use solvents or strong detergents.
- Keep these instructions. Refer to them often and use them to instruct other users. If you loan this unit to others, also loan them these instructions.

## SAVE THESE INSTRUCTIONS

• SAFETY & INTERNATIONAL SYMBOLS •

This operator's manual describes safety and international symbols and pictographs that may appear on this product. Read the operator's manual for complete safety, assembly, operating and maintenance and repair information.

SYMBOL	MEANING
	<ul style="list-style-type: none"> <li>• <b>SAFETY ALERT SYMBOL</b> Indicates danger, warning or caution. May be used in conjunction with other symbols or pictographs.</li> </ul>
	<ul style="list-style-type: none"> <li>• <b>READ OPERATOR'S MANUAL</b> <b>WARNING:</b> Read the operator's manual(s) and follow all warnings and safety instructions. Failure to do so can result in serious injury to the operator and/or bystanders.</li> </ul>
	<ul style="list-style-type: none"> <li>• <b>WEAR EYE AND HEARING PROTECTION</b> <b>WARNING:</b> Thrown objects and loud noise can cause severe eye injury and hearing loss. Wear eye protection meeting current ANSI / ISEA Z87.1 standards and ear protection when operating this unit. Use a full face shield when needed.</li> </ul>
	<ul style="list-style-type: none"> <li>• <b>WEAR FOOT PROTECTION</b> Always wear heavy-duty, non-slip footwear when operating this unit.</li> </ul>
	<ul style="list-style-type: none"> <li>• <b>WEAR HAND PROTECTION</b> Always wear heavy-duty, non-slip gloves when handling this unit.</li> </ul>
<b>V</b>	• <b>VOLTS</b> - Voltage
<b>A</b>	• <b>AMPERES</b> - Current
<b>Hz</b>	• <b>HERTZ</b> - Frequency (cycles per second)
<b>AC</b>	• <b>ALTERNATING CURRENT</b> - Type of current
 or DC	• <b>DIRECT CURRENT</b> - Type of current
<b>Ah</b>	• <b>AMPERE-HOUR</b> - Measure of charge capacity
<b>Wh</b>	• <b>WATT-HOUR</b> - Measure of energy

SYMBOL	MEANING
	<ul style="list-style-type: none"> <li>• <b>THROWN OBJECTS CAN CAUSE SEVERE INJURY</b> <b>WARNING:</b> Small objects can be propelled at high speed, causing injury.</li> </ul>
	<ul style="list-style-type: none"> <li>• <b>KEEP BYSTANDERS AWAY</b> <b>WARNING:</b> Keep all bystanders, especially children and pets, at least 50 feet (15 m) from the operating area.</li> </ul>
	<ul style="list-style-type: none"> <li>• <b>KEEP AWAY FROM MOVING BLADES</b> <b>DANGER:</b> Keep all body parts (hands, feet, face, etc.) away from moving blades. Contact with moving blades will result in serious personal injury.</li> </ul>
	<ul style="list-style-type: none"> <li>• <b>DO NOT USE IN THE RAIN</b> <b>WARNING:</b> Avoid dangerous environments. Never operate the unit in the rain or in damp or wet conditions. Moisture is a shock hazard.</li> </ul>
	<ul style="list-style-type: none"> <li>• <b>DO NOT DISPOSE IN HOUSEHOLD TRASH</b> Recycle the battery or dispose of the battery according to local, state and federal regulations.</li> </ul>

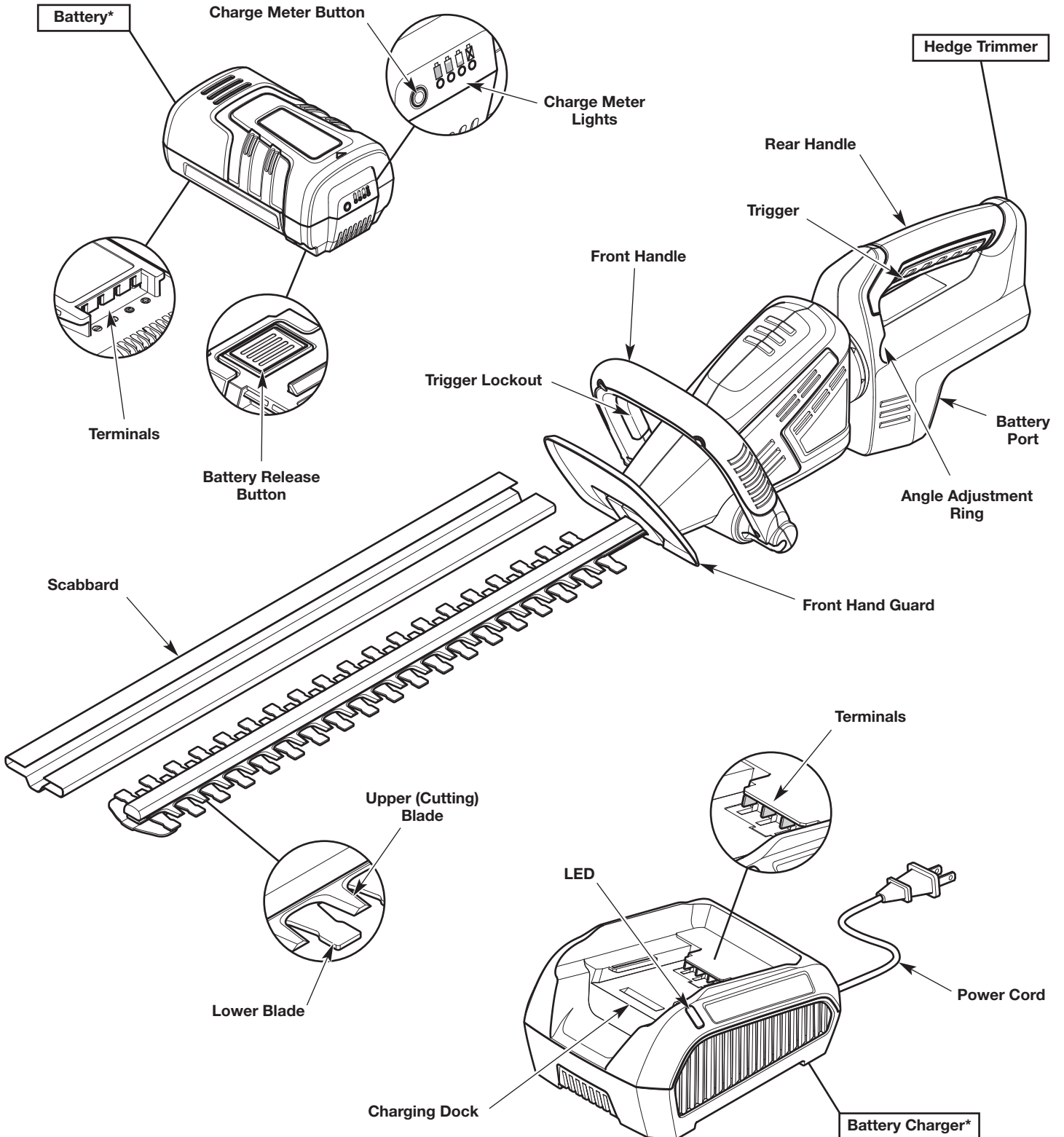


# KNOW YOUR UNIT

## APPLICATIONS

- Trimming hedges and bushes

## NO ASSEMBLY TOOLS REQUIRED



\* The battery and battery charger are not included with model RM4020B.

## SPECIFICATIONS

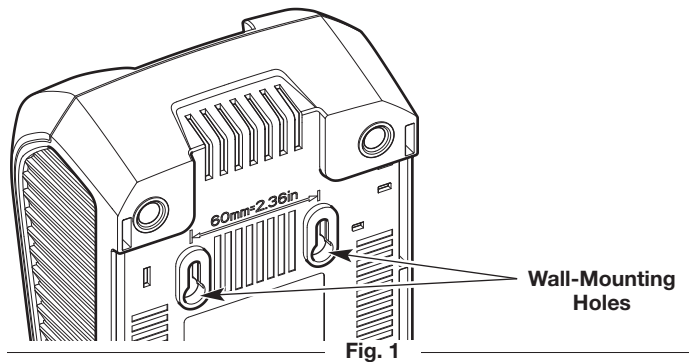
Approximate Unit Weight (without the battery)	5 - 6 lbs. (2.3 - 2.7 kg)
Blade Length	22 in. (55.8 cm)
Maximum Cutting Diameter	0.75 in. (1.9 cm)
Battery Type (Model RM4130)	40V, 2.5 Ah Lithium-Ion
Battery Type (Model RM4140)	40V, 4.0 Ah Lithium-Ion
Battery Type (Model RM4150)	40V, 5.0 Ah Lithium-Ion
Approximate Battery Weight (Model RM4130)	1.9 - 2.4 lbs. (0.9 - 1.1 kg)
Approximate Battery Weight (Model RM4140)	2.9 - 3.4 lbs. (1.3 - 1.5 kg)
Approximate Battery Weight (Model RM4150)	3.0 - 3.5 lbs. (1.4 - 1.6 kg)
Optimum Battery Charging Temperature	32° to 104° F (0° to 40° C)
Optimum Battery Storage Temperature	64° to 73° F (18° to 23° C)
Optimum Battery In-Use Temperature	32° to 113° F (0° to 45° C)
Battery Charger Input	120 V 60 Hz AC only
Battery Charger Output	1.8 A 40 V DC
Approximate Charging Time (Model RM4130)	105 minutes
Approximate Charging Time (Model RM4140)	135 minutes
Approximate Charging Time (Model RM4150)	162 minutes
Approximate Battery Charger Weight	1.25 - 1.75 lbs. (0.6 - 0.8 kg)

All specifications are based on the latest product information available at the time of printing. We reserve the right to make changes at any time without notice.

## ASSEMBLY

### WALL-MOUNTING THE CHARGER (OPTIONAL)

The battery charger can be mounted to a permanent surface, such as a wall or work bench. Use mounting fasteners (not included) capable of supporting the combined weight of the battery and battery charger. Wall-mounting holes are located on the bottom of the charger (Fig. 1).



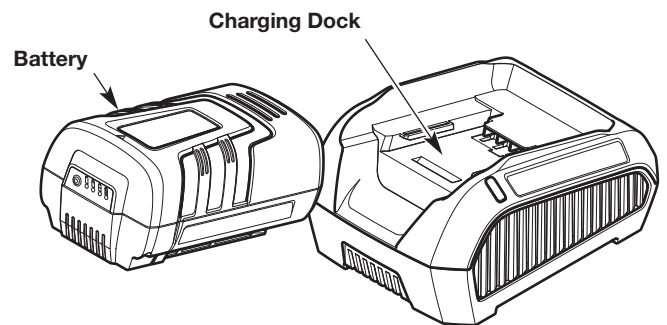
### CHARGING THE BATTERY

**NOTE:** The battery is not shipped fully charged.

**NOTE:** Lithium-ion batteries will not develop a memory and may be charged at any time.

For maximum run time, fully charge the battery before each use.

1. Plug the battery charger into an appropriate power outlet. The LED should turn red (constant) (Fig. 3). If it does not:
  - Make sure the battery charger is fully plugged into an appropriate power outlet.
  - Make sure the power outlet is functioning by testing it with another electrical device.
2. Insert the battery into the charging dock (Fig. 2). Push the battery firmly until it locks into place.



3. Examine the LED. The LED will indicate the battery status:
  - **Green (blinking):** The battery is charging. Charge the battery until the green light stops blinking.
  - **Green (constant):** The battery is fully charged.
  - **Red (blinking - slow):** The battery and/or charger are too hot or too cold. Make sure the battery and charger are in an environment between 32° and 104° F (0° and 40° C). Allow time for the battery and/or charger to warm up or cool down.
  - **Red (blinking - fast):** The battery is no longer functional. Refer to the *Warranty* section for replacement information.
  - **Red (constant):** The battery is not charging. Remove the battery. Make sure the terminals on the battery and battery charger are clean. Re-insert the battery into the charging dock. Push the battery firmly until it locks into place.
4. To maximize the life of the battery, the battery charger will turn off when charging is complete. Once the battery is fully charged, remove it from the battery charger. Optionally, the battery can be stored in the battery charger, but the battery charger should be unplugged from the power outlet.

To remove the battery: Hold the battery charger in place with one hand. Press the battery release button with the other hand (Fig. 4). Slide the battery out of the charging dock.

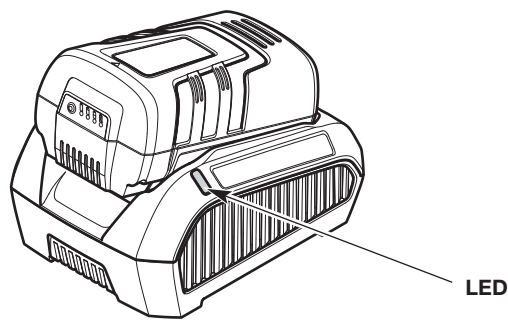


Fig. 3

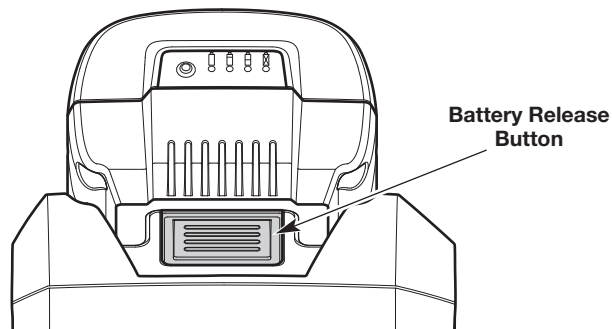


Fig. 4

## INSTALLING AND REMOVING THE BATTERY



**WARNING:** Avoid accidentally starting the unit. To prevent serious injury, **DO NOT** squeeze the trigger lockout and **DO NOT** squeeze the trigger when installing or removing the battery. Refer to *Starting and Stopping*. Remove the battery from the unit when it is not in use.

### Installing the Battery

1. Grasp the rear handle firmly (Fig. 5). **DO NOT** squeeze the trigger. Refer to *Starting and Stopping*.
2. Slide the battery into the battery port (Fig. 5). Push the battery firmly until the battery locks into place (Fig. 5). There should be an audible “click.”
3. Gently pull the battery to make sure it is securely locked in place.

### Removing the Battery

1. Grasp the rear handle firmly (Fig. 5). **DO NOT** squeeze the trigger. Refer to *Starting and Stopping*.
2. Press the battery release button to unlock the battery (Fig. 5).
3. Pull the battery out of the battery port (Fig. 5).

**NOTE:** It may require a strong pull to remove the battery.

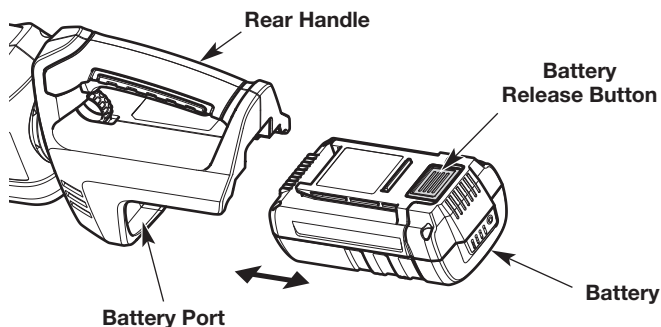


Fig. 5

## STARTING AND STOPPING

### STARTING INSTRUCTIONS

To prevent the motor from starting accidentally, this unit has a trigger lockout. The trigger cannot be squeezed unless the trigger lockout is also engaged.

1. Install the battery. Refer to *Installing the Battery*.
2. Squeeze the trigger lockout into the front handle and hold it in place (Fig. 6).
3. Continue to hold the trigger lockout. Squeeze and hold the trigger to start the unit (Fig. 7).
4. Continue to squeeze the trigger lockout. Squeeze the trigger to the degree needed for the operation.

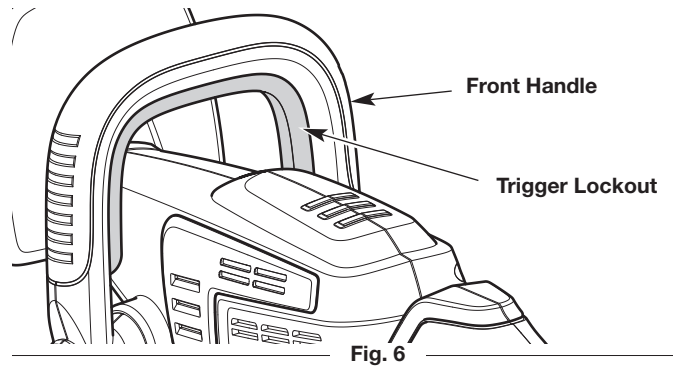


Fig. 6

### STOPPING INSTRUCTIONS

1. Release the trigger and/or trigger lockout (Fig. 6 & 7).
2. Wait for all moving parts to come to a complete stop.

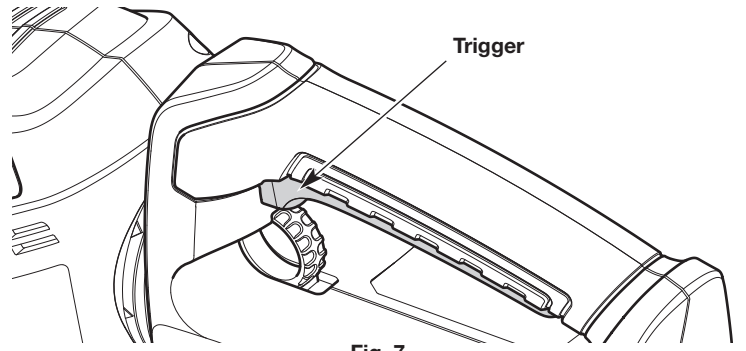


Fig. 7

## OPERATION



**WARNING:** Do not expose power tools to rain or wet conditions.

### CHECKING THE BATTERY CHARGE LEVEL

1. Press the charge meter button (Fig. 8).
2. One or more of the charge meter lights should illuminate (Fig. 8). The number and color of the lights will indicate the current battery charge level:
  - 3 Green Lights = 66 - 100% Charge
  - 2 Green Lights = 33 - 66% Charge
  - 1 Green Light = 1 - 33% Charge
  - 1 Red Light = 0% Charge
3. If the red light illuminates, charge the battery before any further use.

**NOTE:** While in use, lithium-ion batteries provide power with minimal power fade. When the battery is fully discharged, it will immediately cut power to the unit and require charging.

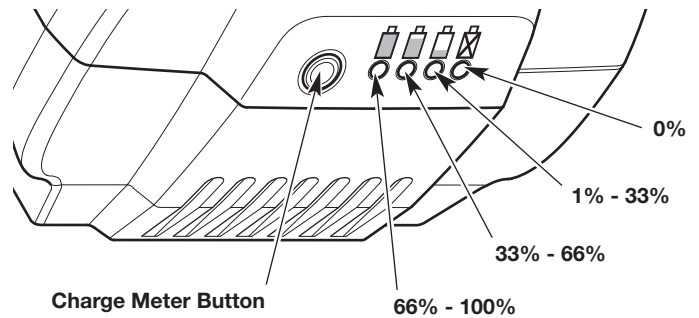


Fig. 8



**WARNING:** Always wear eye, hearing, hand, foot and body protection to reduce the risk of injury when operating this unit. Wear a face mask or dust mask if the operation is dusty.



**DANGER:** Keep all body parts (hands, feet, face, etc.) away from moving blades. Contact with moving blades will result in serious personal injury.

## HOLDING THE UNIT

- Stand in the operating position (Fig. 9). Stand up straight. Do not bend over.
- Keep feet apart and firmly planted.
- Hold the unit with a firm grip.
- Hold the rear handle with the right hand. Keep the right arm slightly bent.
- Hold the front handle with the left hand. Keep the left arm straight.
- **DO NOT** cut above shoulder height.

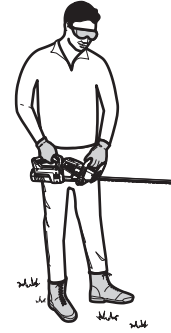


Fig. 9

## ADJUSTING THE CUTTING ANGLE



**WARNING:** To avoid serious personal injury and damage to the unit, turn the unit off and wait for all moving parts to stop before adjusting the cutting angle.

Adjust the cutting angle, as needed:

1. Pull and hold the angle adjustment ring (Fig. 10).
2. Rotate the motor housing to the desired angle. There are several predefined positions. Each position is marked by an arrow (Fig. 11).
3. Release the angle adjustment ring.
4. Make sure the motor housing and handle are securely locked in place.

**NOTE:** The unit will not start if the handle is not securely locked into one of the marked positions.

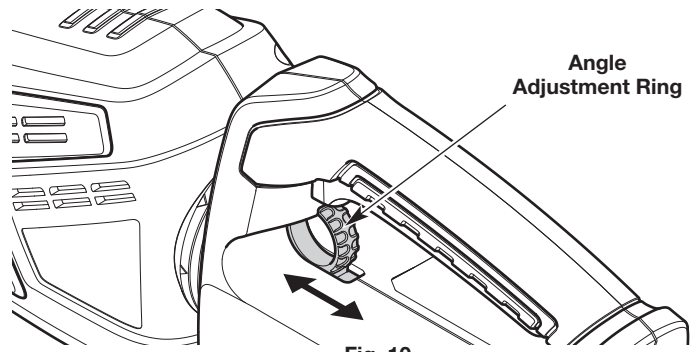


Fig. 10

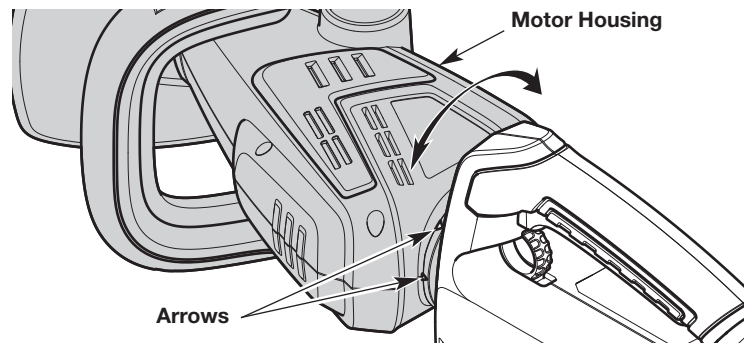


Fig. 11



## TIPS FOR BEST RESULTS

- Keep the blades sharp and clean. Refer to *Maintaining the Blades* in the *Maintenance* section.
- Keep the blades properly lubricated. Refer to *Lubricating the Blades* in the *Maintenance* section.
- To trim new growth, use a wide sweeping motion with a slight downward tilt of the blade.
- To trim old growth with thicker stems, use a sawing motion.
- Do not try to cut stems larger than 0.75 inches (1.9 cm) in diameter. Use a non-powered hand saw or pruning saw to trim large stems.
- Use a string to obtain a level hedge. Stretch a string along the top of the hedge at the desired height and trim the hedge just above the level of the string (Fig. 12).
- To trim the sides of the hedge, sweep the hedge trimmer upward from the bottom of the hedge to the top. Trim the sides of the hedge to be slightly narrower at the top.
- Clean up after operation. Dispose of debris appropriately.
- Remove the battery from the unit when it is not in use.

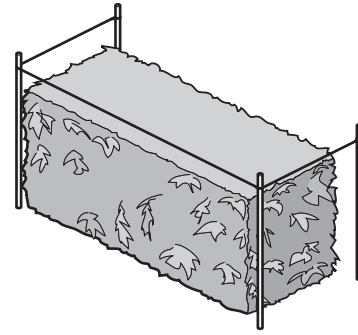


Fig. 12



**WARNING: DO NOT** remove cut material, or hold material to be cut, while the blades are moving. Always stop the unit and remove the battery before attempting to remove debris or jammed material. Allow time for moving parts to stop after turning the unit off. Blades coast for a short time.

## MAINTENANCE



**WARNING:** To prevent serious injury, never perform maintenance on the unit while it is running. Always remove the battery to prevent the unit from starting accidentally. Always allow the unit to cool before maintaining the unit. Before maintaining the battery charger, always unplug it from the power outlet.

**NOTE:** Some maintenance procedures may require special tools or skills. If you are unsure about these procedures, take the unit to an authorized service dealer.

## MAINTAINING THE BATTERY CHARGER

- Keep the battery charger clean and clear of debris. Do not allow foreign material into the charging dock or onto the terminals (Fig. 13). Inspect the battery charger for foreign material before each use.
- Make sure the charger has not been shorted by debris. Inspect the terminals for soot and signs of melting. Do not attempt to use a shorted charger.

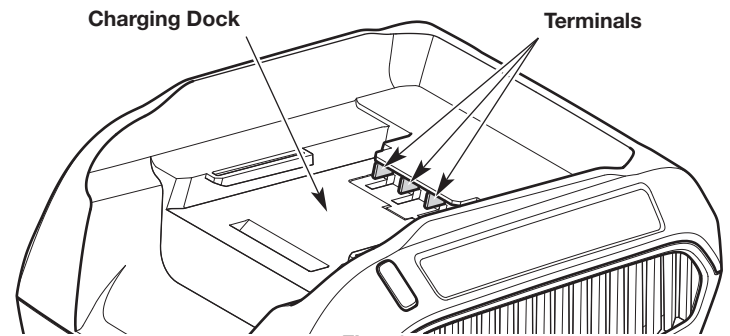
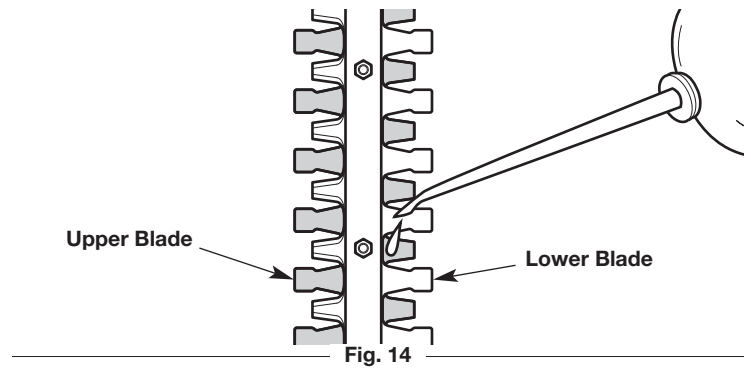


Fig. 13

## LUBRICATING THE BLADES

For easier operation and longer blade life, lubricate the blades **BEFORE** and **AFTER** each use. Never lubricate the blades while the motor is running or the blades are moving.

1. Stop the motor, wait for all moving parts to stop, remove the battery, and allow the unit to cool.
2. Turn the unit upside down (Fig. 14).
3. Apply a light machine oil between the upper blade and lower blade (Fig. 14). Apply oil along the full length of the blades.



## MAINTAINING THE BLADES

The cutting blades are made of high-quality, hardened steel. During normal use, they will not require resharpening unless they become nicked by contact with hard objects, such as wire fencing, glass, stones or bricks.

If a nick occurs and it interferes with operation:

1. Stop the motor, wait for all moving parts to stop, remove the battery, and allow the unit to cool.
2. Use a fine-toothed file or sharpening stone to remove the nick.

## CLEANING AND STORAGE

### CLEANING



**WARNING:** To prevent serious injury, never clean the unit while it is running. Always remove the battery to prevent the unit from starting accidentally. Always allow the unit to cool before cleaning the unit. Always unplug the battery charger before cleaning the battery charger.



**WARNING:** To prevent serious injury, do not use water to clean the unit, battery or battery charger. Do not douse the unit with water. Do not submerge the unit in water or any other liquid. Do not use strong detergents. Household cleaners that contain aromatic oils such as pine and lemon, and solvents such as kerosene, can damage plastic.

- Use a small brush or clean, dry cloth to clean the outside of the unit, battery and battery charger.
- Clean the blades with water. Wipe the blades with a light machine oil to prevent rust.

### STORAGE

- Remove the battery from the unit.
- Allow the unit, battery and/or battery charger to cool.
- Thoroughly clean the unit, battery and battery charger. Inspect them for any loose or damaged parts. Replace damaged parts and tighten loose screws, nuts or bolts.
- Lock up the unit, battery and battery charger to prevent unauthorized use or damage.
- Store the unit, battery and battery charger indoors, in a dry, well-ventilated area.
- Store the battery and battery charger in an area that is between 65 and 75° F (18 and 24° C).
- Always unplug the battery charger when it is not in use.
- Store the unit, battery and battery charger out of the reach of children.
- If the battery is left unused for more than two months, fully charge the battery before use.

## TROUBLESHOOTING

PROBLEM	SOLUTION
<b>THE BATTERY WILL NOT CHARGE</b>	
The battery charger is not plugged in	Plug the battery charger into a 120V 60hz AC source
The battery is not fully inserted into the battery charger	Remove and then reinsert the battery into the battery charger completely
The battery and/or charger are too hot or too cold	Make sure the battery and charger are in an environment between 32° and 104° F (0° and 40° C). Allow time for the battery and/or charger to warm up or cool down.
The battery and/or battery charger are no longer functional	Refer to the <i>Warranty</i> section for replacement information
<b>THE BATTERY DIES QUICKLY</b>	
The battery is not fully charged	Charge the battery completely
The battery and/or battery charger are no longer functional	Refer to the <i>Warranty</i> section for replacement information
<b>THE MOTOR WILL NOT RUN</b>	
The battery lacks sufficient charge	Charge the battery completely
The battery is not installed correctly	Remove and reinstall the battery
The trigger lockout was not engaged	Press and hold the trigger lockout before squeezing the trigger
<b>THE MOTOR STOPS WHILE IN USE, BUT THE BATTERY STILL HAS SUFFICIENT CHARGE</b>	
Device protection systems have engaged	Remove the battery, allow it to cool for 30 seconds, then reinstall the battery
<b>THE MOTOR RUNS, BUT THE BLADES WILL NOT MOVE</b>	
The blades are jammed by debris	Stop the motor, wait for all moving parts to stop, remove the battery, and allow the unit to cool. Carefully remove the debris
The blades are damaged	Have the unit repaired by an authorized service center

**If further assistance is required, contact an authorized service center.**

# REMINGTON®

## REMINGTON LLC LIMITED WARRANTY

### Limited Warranty

The limited warranty set forth herein is given by Remington LLC with respect to new battery-powered, Remington-branded products (hereinafter “Product”) purchased and used in the United States and/or Canada to the Initial Purchaser (as defined herein). This Product is not intended for rental or commercial use.

### Scope Of The Limited Warranty

Remington LLC offers the following limited warranty to the Initial Purchaser for residential or otherwise non-commercial use: except for the Exclusions (defined herein), during the Warranty Period (as defined herein), this Product (exclusive of the battery and the battery charger) will be free from manufacturing defects, including workmanship and materials. The “Initial Purchaser” is the first person to purchase this new Product from an authorized Remington dealer, distributor and/or retailer of such products. This limited warranty is non-transferable. Subject to the Exclusions and except as otherwise set forth herein, the limited warranty period for this new Product purchased by the Initial Purchaser is **three (3) years** from the date of purchase, as shown on the original sales receipt for the Product (“Warranty Period”).

### Defects In Workmanship Or Materials

Subject to the Exclusions and except as otherwise set forth herein, this Product is warranted to be free from manufacturing defects in either workmanship or materials for the Warranty Period. During the Warranty Period, Remington LLC will, at its option, either repair or replace any original part that is covered by this limited warranty and is determined to be defective in workmanship or material.

### To Qualify For This Limited Warranty, This Product:

1. Must have been purchased from an authorized retailer.
2. Must have been purchased within the United States or Canada by the Initial Purchaser.
3. Must have been used for residential (non-commercial) purposes only.
4. Must have been used in a manner consistent with the normal and proper intended use for this Product.

### Who Can Perform Repairs Under This Warranty?

In order to qualify for the limited warranty as set forth herein, the repairs made under this warranty must be performed by an authorized Remington warranty service provider.

### How To Get Service Under This Limited Warranty.

To locate a Remington warranty service provider, contact your authorized Remington dealer, distributor, or retailer or contact Remington LLC at P.O. Box 361032, Cleveland, Ohio 44136-0019 or call 1-866-206-2707 or log on to our website at [www.remingtonpowertools.com](http://www.remingtonpowertools.com). In Canada, contact MTD Products Limited, 97 Kent Avenue, Kitchener, ON N2G 3R2, or call 1-877-696-5533 or log on to the above website. This limited warranty is provided by Remington LLC and is the only product warranty provided by Remington LLC for this Product. A COPY OF YOUR SALES RECEIPT IS REQUIRED FOR WARRANTY SERVICE.

### What This Limited Warranty Does Not Cover.

#### This Limited Warranty Does Not Cover The Following (the “Exclusions”):

1. Product purchased outside of the United States or Canada.
2. Damage due to lack of maintenance and/or improper maintenance as described in the operator’s manual.
3. Normal wear and tear resulting from use of the Product.

4. Normal Wear Parts (as defined herein) are warranted to be free from defects in material and workmanship for a period of thirty (30) days from the date of original purchase by the Initial Purchaser. For the purpose of this Limited Warranty, "Normal Wear Parts" include, but are not limited to items such as: bump knobs, outer spools, cutting line, inner reels, starter pulleys, starter ropes, drive belts, saw chains, guide bars, cultivator tines and/or blades.
5. Use of the Product that is not consistent with the intended use thereof, as described in the operating instructions, including, but not limited to, abuse, misuse and/or neglect of the Product or any use inconsistent with and/or non-compliant with instructions contained in the operator's manual.
6. Any Product that has been altered or modified in a manner not consistent with the original design of the Product or in a manner not approved by Remington LLC.
7. Wheel rims (when so equipped), are covered for a period of three (3) months from the date of original purchase by the Initial Purchaser for manufacturing defects.
8. The battery supplied with this Product is warranted to be free from defects in material and workmanship for a period of **three (3) years** from the date of original purchase by the Initial Purchaser.
9. The battery charger supplied with this Product is warranted to be free from defects in material and workmanship for a period of **three (3) years** from the date of original purchase by the Initial Purchaser.

**This Warranty Does Not Cover And Remington LLC Disclaims Any Responsibility For Matters Including, But Not Limited To, The Following:**

1. Loss of time or loss of use of the Product.
2. Transportation costs and other expenses incurred in connection with the transport of the Product to and from the authorized Remington warranty service provider.
3. Any loss or damage to other equipment or personal items.
4. Damages caused by improper maintenance or the use of other than the specified fuel, oil or lubricants as approved in the operator's manual.
5. Damage resulting from the installation or use of any accessory or part not approved by Remington LLC for use with the Product.

**Limitations:**

1. THERE ARE NO IMPLIED WARRANTIES, INCLUDING, BUT NOT LIMITED TO, ANY IMPLIED WARRANTY OF MERCHANTABILITY OR FITNESS FOR A PARTICULAR PURPOSE. NO WARRANTY SHALL APPLY AFTER THE APPLICABLE WARRANTY PERIOD AS SET FORTH ABOVE AS TO THE PARTS AS IDENTIFIED. NO OTHER EXPRESS WARRANTY OR GUARANTY, WHETHER WRITTEN OR ORAL, EXCEPT AS MENTIONED ABOVE, GIVEN BY ANY PERSON OR ENTITY, INCLUDING A DEALER OR RETAILER, WITH RESPECT TO ANY PRODUCT SHALL BIND REMINGTON LLC. DURING THE WARRANTY PERIOD, THE EXCLUSIVE REMEDY IS REPAIR OR REPLACEMENT OF THE DEFECTIVE PART, AS SET FORTH ABOVE. (SOME STATES DO NOT ALLOW LIMITATIONS ON HOW LONG AN IMPLIED WARRANTY LASTS, SO THE ABOVE LIMITATION MAY NOT APPLY TO YOU.)
2. THE PROVISIONS AS SET FORTH HEREIN PROVIDE THE SOLE AND EXCLUSIVE REMEDY ARISING FROM THE SALE. REMINGTON LLC SHALL NOT BE LIABLE FOR INCIDENTAL OR CONSEQUENTIAL LOSS OR DAMAGES INCLUDING, WITHOUT LIMITATION, FOR TRANSPORTATION OR FOR RELATED EXPENSES, OR FOR RENTAL EXPENSES TO TEMPORARILY REPLACE A WARRANTED PRODUCT. (SOME STATES DO NOT ALLOW THE EXCLUSION OR LIMITATION OF INCIDENTAL OR CONSEQUENTIAL DAMAGES, SO THE ABOVE EXCLUSION OR LIMITATION MAY NOT APPLY TO YOU.)
3. In no event shall recovery of any kind be greater than the amount of the purchase price of the Product sold. Alteration of the safety features of the Product shall void this limited warranty. You assume the risk and liability for loss, damage, or injury to you and your property and/or to others and their property arising out of the use or misuse or inability to use the Product.

**How State Law Relates To This Warranty.**

This limited warranty gives you specific legal rights, and you may also have other rights, which vary from state to state.



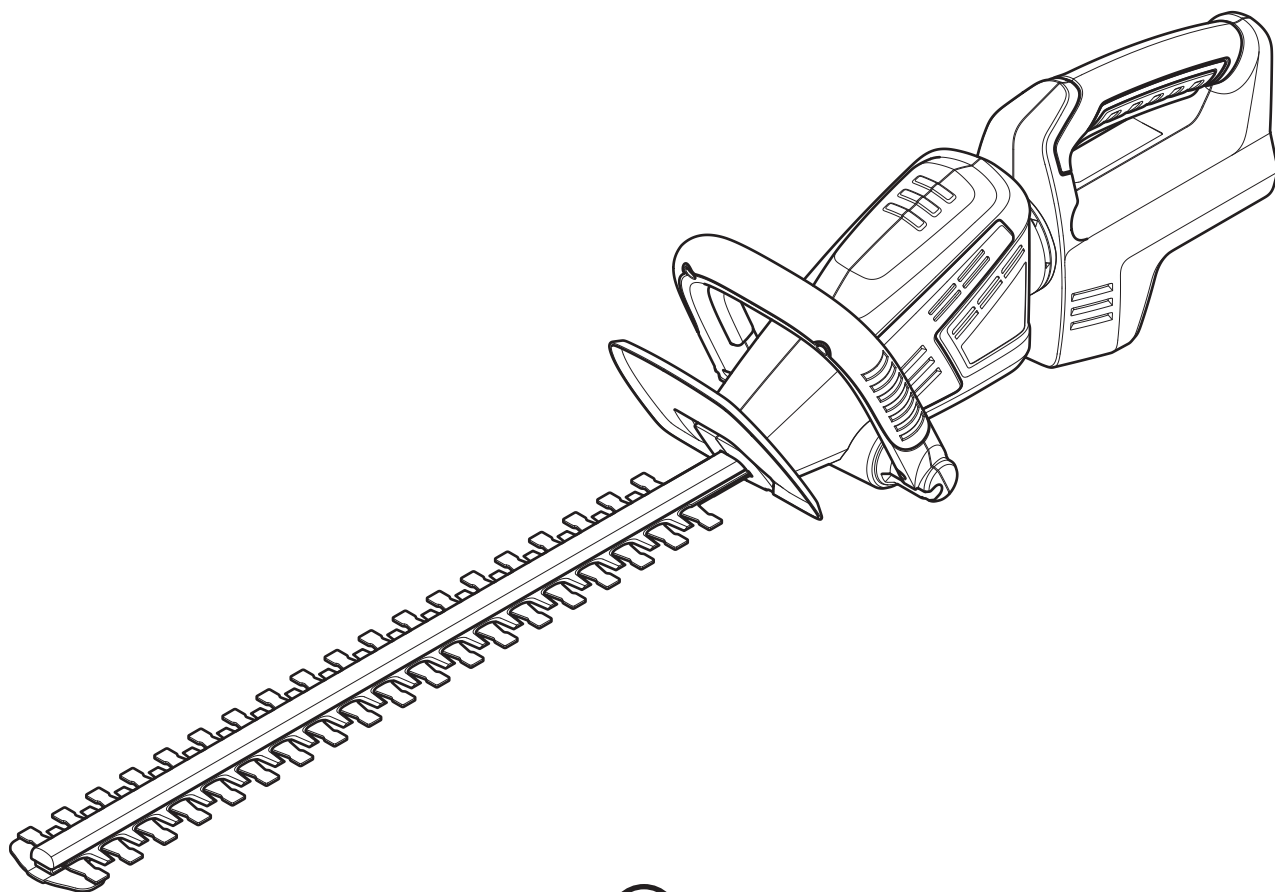
# **REMINGTON®**

## **Manuel de l'utilisateur**

TRADUCTION DES INSTRUCTIONS D'ORIGINE

### **RM4020 / RM4020B**

**Taille-haie sans fil**



### **CONSERVEZ CES INSTRUCTIONS**

**IMPORTANT : Lisez attentivement ce manuel avant d'utiliser ce produit. Respectez toutes les instructions.**

## TABLE DES MATIÈRES

Service technique .....	20
Sécurité .....	20
Apprenez à connaître votre appareil .....	27
Caractéristiques .....	28
Assemblage .....	28
Mise en marche et arrêt .....	30
Utilisation .....	30
Entretien .....	32
Nettoyage et rangement .....	33
Dépannage .....	34
Garantie .....	35

**REMARQUE :** Ce manuel de l'opérateur couvre plusieurs modèles. Les fonctionnalités peuvent varier selon le modèle. Les fonctionnalités figurant dans ce manuel ne sont pas toutes applicables à tous les modèles. Le modèle présenté peut différer du vôtre.

Toutes les informations, illustrations et spécifications contenues dans ce manuel tiennent compte des dernières informations techniques disponibles au moment de mettre sous presse. Nous nous réservons le droit d'y apporter des modifications à tout moment, sans préavis.

Le produit peut varier légèrement par rapport aux illustrations du présent manuel.

Copyright © 2017 MTD SOUTHWEST INC., Tous droits réservés.

## SERVICE

**NE RAMENEZ PAS CET APPAREIL CHEZ LE DÉTAILLANT. UNE PREUVE D'ACHAT SERA EXIGÉE POUR TOUTE PRISE EN CHARGE DANS LE CADRE DE LA GARANTIE.**

Pour obtenir de l'aide sur l'assemblage, le fonctionnement ou la maintenance de l'appareil, veuillez composer le **1-866-206-2707** (aux États-Unis) ou le **1-877-696-5533** (au Canada). Des renseignements supplémentaires peuvent être trouvés sur le site **www.remingtonpowertools.com**.

Le service de garantie est disponible par l'intermédiaire d'un atelier de réparations agréé. Pour trouver un atelier de réparations dans votre région, veuillez consulter notre site Web ou composer le numéro indiqué ci-dessus. La réparation de cet appareil, à la fois pendant et après la période de garantie, ne doit être effectuée que par un atelier de réparation agréé approuvé. Utilisez uniquement des pièces de rechange identiques.

## SÉCURITÉ

Les symboles de sécurité visent à attirer votre attention sur les dangers éventuels. Vous devez accorder une attention particulière aux symboles de sécurité afin de bien les comprendre. Les avertissements de sécurité n'éliminent pas les dangers en eux-mêmes. Les instructions ou mises en garde ne remplacent en rien les mesures de prévention appropriées contre les accidents.

### SYMBOLE SIGNIFICATION

 **DANGER :** indique un danger **EXTRÊME**.  
Le non-respect d'un symbole de **DANGER** sur le plan de la sécurité **ENTRAÎNERA** des blessures graves, voire la mort pour vous ou pour autrui.

 **AVERTISSEMENT :** indique un danger **GRAVE**.  
Le non-respect d'un symbole d'**AVERTISSEMENT** sur le plan de la sécurité **PEUT** entraîner des blessures graves pour vous ou pour autrui.

 **ATTENTION :** indique un danger **MODÉRÉ**.  
Le non-respect d'un symbole de **ATTENTION** sur le plan de la sécurité **PEUT** entraîner des dommages matériels ou des blessures pour vous ou pour autrui.

**REMARQUE :** vous donne des informations ou des consignes essentielles pour l'utilisation ou l'entretien de l'équipement.



### PROPOSITION 65 DE L'ÉTAT DE CALIFORNIE

**AVERTISSEMENT :** Ce produit contient un composé chimique reconnu dans l'état de la Californie comme produit pouvant provoquer des cancers et des malformations congénitales et affecter l'appareil reproducteur.

**Veuillez lire le manuel de l'opérateur et respecter tous les avertissements et consignes de sécurité. Dans le cas contraire, l'opérateur et/ou les passants peuvent subir des blessures graves.**

# • CONSIGNES DE SÉCURITÉ IMPORTANTES •

## CONSIGNES GÉNÉRALES DE SÉCURITÉ DES OUTILS ÉLECTRIQUES



**AVERTISSEMENT** : Lire tous les avertissements et toutes les consignes de sécurité. Le non-respect des avertissements et instructions peut entraîner une décharge électrique, un incendie ou des blessures graves.

Conserver tous les avertissements et toutes les instructions à des fins de référence ultérieure.

Le terme « outil électrique » des avertissements se rapporte à vos outils secteur fonctionnant avec un cordon d'alimentation ou, sans fil, à batterie (sans fil).

### 1) Sécurité de la zone

- La zone de travail doit être propre et bien éclairée.** Les endroits encombrés ou sombres sont propices aux accidents.
- Ne pas utiliser l'appareil dans des atmosphères explosives, comme en présence de liquides inflammables, de gaz ou de poussières.** Les outils électriques créent des étincelles qui pourraient enflammer les poussières ou les vapeurs.
- Garder les enfants et les autres personnes à l'écart en utilisant un outil électrique.** Les distractions peuvent vous faire perdre le contrôle.

### 2) Sécurité électrique

- Les fiches des outils électriques doivent correspondre à la prise. Ne jamais modifier la fiche de quelque façon que ce soit. Ne pas utiliser d'adaptateur de fiche avec mise à la terre avec les outils électriques.** Des fiches non modifiées et des socles adaptés réduiront le risque de décharge électrique.
- Éviter tout contact corporel avec des surfaces mises à la terre telles que des tuyaux, radiateurs, cuisinières et réfrigérateurs.** Il y a un risque accru de décharge électrique si votre corps entre en contact avec des objets mis à la terre.
- Ne pas exposer les outils électriques à la pluie ou aux temps humides.** La pénétration d'eau dans un outil électrique augmente le risque de décharge électrique.
- Ne pas maltraiter le cordon. Ne jamais utiliser le cordon pour transporter, tirer ou débrancher l'outil électrique. Garder les cordons à l'écart de la chaleur, de l'huile, de l'eau, des objets tranchants et des pièces en mouvement.** Les cordons endommagés ou emmêlés augmentent le risque de décharge électrique.
- En faisant usage d'un outil électrique à l'extérieur, utiliser une rallonge convenant à un usage extérieur.** L'utilisation d'un cordon adapté à une utilisation extérieure réduit le risque de décharge électrique.
- Si l'utilisation d'un outil électrique dans un endroit humide est inévitable, utilisez une alimentation protégée par une alimentation protégée par un disjoncteur de fuite de terre.** Utilisez un disjoncteur de fuite de terre pour réduire les risques de décharge électrique.

### 3) Sécurité personnelle

- Demeurer alerte, regarder ce que vous faites et faites preuve de bon sens lorsque vous utiliser un outil électrique. Ne pas utiliser un outil lorsque vous êtes fatigué ou sous l'influence de drogues, d'alcool ou de médicaments.** Un moment d'inattention lors de l'utilisation d'outils électriques peut entraîner des blessures graves.

- Utiliser du matériel de protection individuelle. Porter toujours des lunettes de protection.** Du matériel de protection comme un masque antipoussières, des chaussures de sécurité antidérapantes, un casque ou une protection auditive utilisés pour les conditions appropriées réduiront les blessures personnelles.
- Éviter tout démarrage intempestif. Vérifier que l'interrupteur est en position d'arrêt avant de brancher l'outil à une source d'alimentation ou à une batterie, de le ramasser ou de le transporter.** Le fait de transporter les outils électriques en ayant le doigt posé sur l'interrupteur ou de mettre en marche des outils électriques dont l'interrupteur est en position de marche invite aux accidents.
- Retirer toute clé ou clé de réglage avant de mettre l'outil en marche.** Un outil ou une clé de réglage fixé à une partie rotative de l'outil peut entraîner des blessures.
- Ne pas vous pencher trop en avant. Conserver son équilibre en tout temps.** Cela assure un meilleur contrôle de l'outil électrique dans les situations imprévues.
- Porter des vêtements appropriés. Ne pas porter de vêtements amples ni de bijoux. Garder les cheveux, les vêtements et les gants éloignés des pièces en mouvement.** Les vêtements amples, les bijoux ou les cheveux longs peuvent se prendre dans les pièces mobiles.
- Si des dispositifs sont fournis pour le raccordement d'installations de dépoussiérage et de collecte, vérifier qu'ils sont connectés et correctement utilisés.** L'utilisation des collecteurs de poussière peut réduire les risques causés par la poussière.

### 4) Utilisation et d'entretien d'un outil électrique

- Ne pas forcer un outil électrique. Utiliser l'outil électrique approprié à votre travail.** L'outil électrique adéquat fonctionnera mieux et plus sécuritairement à la vitesse pour laquelle il a été conçu.
- Ne pas utiliser l'outil si le commutateur ne permet pas de le désactiver.** Tout outil qui ne peut pas être contrôlé par son interrupteur est dangereux et doit être réparé.
- Débrancher la fiche de la source d'alimentation ou la batterie de l'outil électrique avant d'effectuer des réglages, de changer d'accessoire ou de ranger l'outil.** Ces mesures de sécurité préventives réduisent le risque de démarrage accidentel de l'outil.
- Ranger les outils électriques inutilisés hors de la portée des enfants et ne pas laisser des personnes non familiarisées avec l'outil ou ces instructions utiliser l'outil électrique.** Les outils électriques sont dangereux dans les mains d'utilisateurs novices.
- Entretien des outils électriques. Vérifier l'alignement ou le grippage des parties mobiles, des pièces cassées ou toute autre condition pouvant perturber le fonctionnement de l'outil électrique. Si l'outil électrique est endommagé, le faire réparer avant de l'utiliser.** De nombreux accidents sont causés par des outils électriques mal entretenus.
- Maintenir les outils de coupe propres et bien aiguisés.** Des outils soigneusement entretenus avec des bords aiguisés sont moins susceptibles de se coincer et sont plus faciles à contrôler.
- Utiliser les outils électriques, les accessoires et les lames etc., conformément à ces instructions, en tenant compte des conditions de travail et du travail à effectuer.** L'utilisation de l'outil pour des activités différentes de celles prévues pourrait donner lieu à une situation dangereuse.

## 5) Utilisation et entretien d'un outil électrique fonctionnant sur batterie

- a) **N'utilisez que le chargeur spécifié par le fabricant pour recharger l'outil.** *Un chargeur conçu pour un type de batterie peut créer un risque d'incendie lorsqu'il est utilisé avec un autre type de batterie.*
- b) **N'alimentez les outils électriques qu'au moyen des batteries prévues spécifiquement à cet effet.** *L'utilisation d'autres types de batteries augmente le risque de blessures et d'incendies.*
- c) **Lorsque la batterie n'est pas dans l'appareil, gardez-la à l'écart de trombones, de pièces de monnaie, de clés, de clous, de vis ou d'autres petits objets métalliques susceptibles de connecter les deux pôles.** *Court-circuiter les pôles de la batterie peut causer des brûlures ou un incendie.*
- d) **Des projections de liquide sont susceptibles de se produire en cas d'utilisation abusive de la batterie. Dans l'éventualité de telles projections, évitez tout contact avec le liquide. En cas de contact accidentel, rincez abondamment la zone exposée à l'eau claire. Si du liquide entre en contact avec les yeux, rincez abondamment ces derniers à l'eau claire et consultez un médecin dans les meilleurs délais.** *Le liquide provenant de la batterie peut occasionner irritations et brûlures.*

## 6) Réparation ou entretien

- a) **Faire réparer ou entretenir votre outil électrique par un réparateur qualifié utilisant des pièces de rechange identiques.** Cela permettra d'assurer que la sécurité de l'outil électrique est maintenue.

## Avertissements de sécurité du taille-haie

	<b>DANGER :</b> GARDER LES MAINS ÉLOIGNÉES DE LA LAME. Tout contact avec la lame entraînera des blessures graves.
--	---

- **Utiliser les deux mains lors de l'utilisation du taille-haie.** L'utilisation d'une seule main peut causer une perte de contrôle et entraîner des blessures graves.
- **Garder toutes les parties du corps à l'écart de la lame. Ne pas retirer le matériau coupé ou le retenir pour le couper lorsque les lames sont en mouvement. S'assurer que le commutateur est éteint au moment d'enlever les matières coincées. Une fois arrêtées, les lames continuent de tourner librement pendant un certain temps.** *Un moment d'inattention pendant le fonctionnement du taille-haie peut entraîner des blessures graves.*
- **Transporter le taille-haie par la poignée en vous assurant que la lame est immobile. Lors du transport ou du rangement du taille-haie, toujours mettre la housse sur l'appareil.** *Une manipulation adéquate du taille-haie permettra de réduire les risques de blessure par lames.*
- **Comme la lame peut entrer en contact avec des fils cachés ou avec son propre cordon, maintenir uniquement l'outil par les surfaces de prise isolées.** *Des lames qui entrent en contact avec un fil sous tension peuvent mettre sous tension les parties métalliques exposées de l'outil et ainsi envoyer une décharge électrique à l'opérateur.*

	<b>AVERTISSEMENT :</b> Lire tous les avertissements et toutes les instructions de sécurité. Ne pas suivre les avertissements et les instructions peut entraîner une décharge électrique, un incendie et des blessures graves.
--	---

## LISEZ TOUTES LES INSTRUCTIONS AVANT L'UTILISATION

1. **CONSERVER CES INSTRUCTIONS** - Ce manuel contient des consignes de sécurité et d'utilisation importantes.
2. Avant d'utiliser ce produit, lire toutes les instructions et les avertissements concernant la batterie, le chargeur de batterie et l'appareil alimenté par batterie.
3. Ne manipulez pas le chargeur, y compris sa fiche et ses bornes, avec des mains humides.
4. Ne chargez pas l'appareil à l'extérieur.

	<b>AVERTISSEMENT :</b> Utilisez uniquement des batteries RM4130, RM4140 ou RM4140 avec cet appareil. <b>NE PAS</b> utiliser tout autre type de batterie ou d'accessoires avec cet appareil. D'autres types de batteries ou d'accessoires pourraient causer des blessures graves, des dégâts matériels ou des dommages à l'appareil.
---	---

	<b>AVERTISSEMENT :</b> Utilisez uniquement un chargeur de batterie RM4110 pour charger des batteries RM4130, RM4140 ou RM4150. <b>NE PAS</b> tenter d'utiliser un autre chargeur de batterie pour charger des batteries RM4130, RM4140 ou RM4150. D'autres types de chargeurs de batterie peuvent causer l'explosion des piles et provoquer un incendie, des blessures ou des dommages à la propriété.
--	--

	<b>AVERTISSEMENT :</b> Utilisez uniquement un chargeur de batterie RM4110 pour charger des batteries RM4130, RM4140 ou RM4150. <b>NE PAS</b> tenter de charger d'autres batteries avec un chargeur de batterie RM4110. D'autres types de piles peuvent éclater, causant un incendie, des blessures ou des dommages matériels.
---	---

## CONSIGNES GÉNÉRALES DE SÉCURITÉ

- Veuillez lire soigneusement ces instructions. Familiarisez-vous avec les commandes et l'utilisation correcte de l'appareil. Sachez comment arrêter l'appareil et désengager rapidement les commandes.
- Demeurer attentif. Ne faites pas fonctionner cet appareil lorsque vous êtes fatigué, malade ou sous l'influence d'alcool, de drogues ou de médicaments.
- Ne laissez jamais les enfants utiliser l'appareil. Les adolescents doivent être formés, accompagnés et guidés par un adulte. Ne permettez jamais aux adultes d'utiliser l'appareil sans avoir lu les instructions appropriées.
- Tous les carters et dispositifs de sécurité doivent être correctement installés avant l'utilisation de cet appareil.
- Inspectez l'appareil avant l'utilisation. Vérifier si des pièces sont endommagées. S'assurer que toutes les pièces fonctionnent correctement. Assurez-vous que toutes les fixations sont en place et bien serrées. S'assurer que toutes les pièces mobiles sont correctement alignées et ne sont pas liées. Remplacez les pièces fissurées, ébréchées ou endommagées d'une manière ou d'une autre. Faire réparer ou remplacer toutes les pièces endommagées fonctionnant mal par un atelier de réparation autorisé. Ne faites pas fonctionner l'appareil avec des pièces lâches ou endommagées.
- Vous devez être conscient des risques de blessures à la tête, aux mains et aux pieds.
- Inspectez attentivement la zone de travail avant de démarrer l'appareil. Retirez les pierres, le verre cassé, les clous, les fils, les ficelles et autres objets qui peuvent être projetés ou s'enrouler dans l'appareil.
- Éloignez les enfants, les passants et les animaux domestiques ; ils doivent rester dans un rayon d'au moins 15 mètres (50 pieds). Même à cette distance, il existe néanmoins un risque de projectiles pour les personnes à proximité. Encouragez-les à porter des lunettes de sécurité. Si quelqu'un s'approche de vous, arrêtez immédiatement l'appareil.
- Cet appareil est uniquement destiné à un usage domestique occasionnel.
- Ne laissez pas l'appareil être utilisé comme un jouet.

## AVERTISSEMENTS DE SÉCURITÉ CONCERNANT LES UNITÉS ÉLECTRIQUES

### Sécurité électrique générale

- N'exposez pas l'appareil à la pluie ou par temps humide. Rangez l'appareil à l'intérieur.
- N'actionnez pas l'appareil avec les mains mouillées.
- Évitez les environnements dangereux. N'utilisez pas l'appareil sous la pluie, par temps humide ou sur des surfaces humides. L'humidité constitue un risque d'électrocution.
- Pour réduire le risque de décharge électrique, évitez tout contact corporel avec des conducteurs de terre, comme les tuyaux métalliques ou les grillages.
- N'utilisez pas l'appareil dans des atmosphères explosives, comme en présence de liquides inflammables, de gaz ou de poussières.

### Sécurité du chargeur de batterie

- Respectez toutes les instructions de chargement. Ne chargez pas la batterie en dehors de la plage de température précisées dans ces instructions. Une mauvaise charge de la batterie ou un rechargement à l'extérieur de la plage de température précisée peut endommager la batterie et augmenter le risque d'incendie.
- Une plaque signalétique sur l'appareil indique la tension utilisée. Ne branchez jamais l'appareil à une tension alternative qui diffère de cette tension.

- Un cordon prolongateur ne devrait être utilisé qu'en cas d'absolue nécessité. L'utilisation d'un cordon prolongateur inadéquat peut entraîner un risque d'incendie, de décharge électrique ou d'électrocution.
- N'utilisez pas plusieurs cordons prolongateurs.
- Assurez-vous que le cordon prolongateur est de calibre adéquat pour le courant consommé par l'appareil. Un cordon à la capacité insuffisante causerait une baisse de tension entraînant une perte de puissance et une surchauffe. En cas de doute, utilisez le cordon prolongateur du calibre supérieur. Plus le chiffre est petit, plus le calibre est élevé.

### CALIBRE MINIMAL DES CORDONS PROLONGATEURS D'APPAREILS DE 120 VOLTS UTILISANT DE 0 À 6 AMPÈRES

Longueur du cordon (pieds)	25	50	100	150
Calibre du cordon (AWG)	16	16	16	14

- Assurez-vous que les cordons prolongateurs sont en bon état. Inspectez régulièrement le fil d'alimentation et le cordon prolongateur. Observez attentivement toute détérioration, coupure ou fissure de l'isolation. Si un cordon est endommagé de quelque manière que ce soit tout en étant branché, débranchez-le de la prise et de l'appareil. N'utilisez pas un cordon endommagé. Les cordons endommagés doivent être réparés ou remplacés.
- Ne pas abuser des cordons. Ne tirez ni ne transportez jamais l'appareil par le cordon. Gardez les cordons à l'écart de la chaleur, de l'huile, de l'eau, des objets tranchants et des objets en mouvement. Saisissez toujours la fiche pour débrancher le cordon.
- Ne modifiez jamais une fiche, un cordon ou une prise en aucune façon.
- La protection du disjoncteur de fuite à la terre doit être prévue sur les circuits ou sur les prises pour être utilisée avec cet appareil. Par mesure de sécurité supplémentaire, utilisez des prises avec une protection de disjoncteur de fuite à la terre intégrée.
- Ne placez pas le chargeur de batterie de manière à éviter qu'il soit possible de marcher sur le cordon, de trébucher dessus, ou de l'endommager.
- Ne chargez pas la batterie sous la pluie ou par temps humide. Gardez le chargeur de batterie dans un endroit frais et sec.
- Gardez le chargeur de batterie à l'écart de tout liquide.
- Ne laissez pas de petits objets métalliques ou de matériaux tels que la laine d'acier, le papier d'aluminium ou d'autres particules étrangères pénétrer dans le port du chargeur.
- Ne sondez pas le chargeur avec un matériau conducteur. Il y a un risque de décharge électrique.
- Ne couvrez pas le chargeur de batterie. Le chargeur de batterie peut surchauffer.
- Ne laissez pas la batterie ou le chargeur de batterie surchauffer. S'ils sont chauds, laissez-les refroidir. Ne chargez les batteries dans des températures comprises entre 0 °C et 40 °C (32 ° et 104 °F).
- Débranchez toujours le chargeur avant de le nettoyer. Débranchez toujours le chargeur de batterie quand il n'est pas utilisé.

### Sécurité de la batterie

- Ne pas exposer la batterie au feu ou à des températures supérieures à 80 °C (176 °F). Cela pourrait provoquer une explosion.
- Manipulez les batteries avec soin. Ne court-circuitez pas avec des matériaux conducteurs tels que bagues, bracelets, clés, etc. Un court-circuit de la batterie peut causer des blessures, des dommages à la batterie ou un incendie.
- Lorsque la batterie n'est pas en cours d'utilisation, tenez-la éloignée des petits objets métalliques tels que les trombones, les pièces de monnaie, les clous, etc. Ces articles pourraient connecter un terminal à un autre et les court-circuiter.



- N'essayez pas de charger une batterie fissurée ou endommagée.
- N'utilisez pas de batterie modifiée ou endommagée. Cela pourrait provoquer un incendie, une explosion ou des blessures.



### À propos des seaux de batterie Call2Recycle

Le programme d'intendance de l'industrie de Call2Recycle aide les fabricants de produits et de batteries à répondre aux exigences de recyclage des États-Unis et du Canada, entre autres en ce qui a trait au respect de vastes règlements étatiques, provinciaux et fédéraux, comme la Loi des batteries rechargeable et contenant du

mercure (Loi sur les batteries). Les titulaires de licences/intendants de l'industrie, fabricants et commerçants de batterie et de produit Call2Recycle<sup>MD</sup> participants achètent les droits d'imprimer les seaux de batterie Call2Recycle sur leurs piles et produits rechargeables. Quand vous voyez le sceau de batterie Call2Recycle, vous pouvez avoir confiance, en sachant que votre batterie ou produit peuvent être recyclés en toute sécurité et de façon responsable.

### À propos de Call2Recycle

Depuis 1994, Call2Recycle a détourné plus de 75 millions de livres de batteries rechargeables des sites d'enfouissement locaux et a mis en place un réseau de 30 000 points de recyclage. Plus de 200 fabricants de produits et de batteries, les intendants de l'industrie Call2Recycle, se sont unis pour faire en sorte que les piles sont recyclées de façon responsable quand elles atteignent leur fin de vie et pour financer le programme qui est exploité par Call2Recycle, Inc., un organisme de service public à but non lucratif 501(c)4.

Pour trouver le centre de recyclage le plus proche, veuillez composer le **1-800-822-8837**.

	<p><b>AVERTISSEMENT :</b> La batterie peut présenter un risque d'incendie ou de brûlure chimique si elle est mal manipulée. Ne démontez, chauffez ou incinérez pas la batterie. La batterie peut développer une petite fuite lors d'utilisation ou de conditions de température extrêmes.</p> <p><b>Si du liquide à batterie entre en contact avec la peau :</b></p> <ul style="list-style-type: none"> <li>- Lavez immédiatement la zone touchée avec de l'eau et du savon.</li> <li>- Neutralisez le liquide à batterie avec un acide doux (jus de citron, vinaigre, etc.).</li> <li>- Consultez immédiatement un médecin.</li> </ul> <p><b>Si du liquide à batterie pénètre dans les yeux :</b></p> <ul style="list-style-type: none"> <li>- Rincez immédiatement les yeux avec de l'eau propre, et ce, pendant au moins 15 minutes.</li> <li>- Consultez immédiatement un médecin.</li> </ul>
--	---

### ÉLIMINATION DES PILES ENDOMMAGÉES OU USÉES

	<p><b>AVERTISSEMENT :</b> Le matériau toxique et corrosif suivant est utilisé dans la batterie de cet appareil :</p> <p>LITHIUM-ION, une substance toxique.</p>
--	---

	<p><b>AVERTISSEMENT :</b> Pour prévenir la contamination de l'environnement, contactez votre agence de recyclage des déchets pour obtenir des instructions particulières avant de disposer de batteries lithium-ion endommagées ou usées. Apportez les batteries dans un centre de recyclage/d'élimination local, homologué pour l'élimination de batterie lithium-ion.</p>
--	---

	<p><b>AVERTISSEMENT :</b> N'utilisez pas de piles cassées ou fissurées, et ce, même s'il n'y a pas de fuite. Remplacez les piles endommagées ou usées avec des piles neuves. <b>NE TENTEZ PAS DE RÉPARER LES BATTERIES!</b> En raison des risques d'explosion ou d'électrocution, les tentatives de réparation peuvent entraîner des blessures graves.</p>
--	--

Pour éviter les blessures et les dommages à l'environnement :

- N'essayez pas d'enlever ou de détruire les composants de la batterie. N'ouvrez ni n'endommagez pas la batterie. En cas de fuite, les électrolytes libérés sont corrosifs et toxiques. Gardez la solution éloignée des yeux ou de la peau, et ne l'avalez pas.
- Ne jetez pas la batterie avec les ordures ménagères.
- Ne jetez pas la batterie dans un feu. La cellule peut exploser.
- Ne jetez pas la batterie là où elle fera partie d'un site d'enfouissement de déchets ou de flux de déchets solides urbains.
- Recouvrez les bornes de la batterie avec du ruban adhésif de qualité industrielle.
- Jetez la batterie usagée conformément aux réglementations fédérale, provinciale et locale.
- Jetez rapidement la batterie.

### DÉCLARATION DE LA FCC

	<p><b>ATTENTION :</b> Les changements ou modifications non expressément approuvés par la partie responsable de la conformité pourraient annuler l'autorité de l'utilisateur à utiliser l'équipement.</p>
--	--

**REMARQUE :** Cet équipement a été testé et s'est avéré conforme aux limites pour un appareil numérique de classe B, conformément à la partie 15 des règles de la FCC. Ces limites sont conçues pour fournir une protection raisonnable contre les interférences nuisibles dans une installation résidentielle. Cet équipement génère, utilise et peut émettre des fréquences radio et, s'il n'est pas installé et utilisé conformément aux instructions, il peut causer des interférences nuisibles pour les communications radio. Cependant, il n'existe aucune garantie que des interférences ne se produiront pas dans une installation particulière. Si cet équipement provoque des interférences nuisibles à la réception radio ou télévisuelle, ce qui peut être déterminé en l'éteignant et le rallumant, l'utilisateur est encouragé à essayer de corriger l'interférence par une ou plusieurs des mesures suivantes :

- Réorientez ou déplacez l'antenne de réception.
- Augmentez la distance entre le matériel et le récepteur.
- Connectez le matériel à une sortie sur un circuit différent de celui sur lequel est branché le récepteur.
- Consultez le revendeur ou un technicien radio/télévision expérimenté.

## PENDANT L'UTILISATION



**AVERTISSEMENT :** Pour réduire le risque d'électrocution, n'exposez pas l'appareil à la pluie ou au temps humide. Rangez l'appareil à l'intérieur.

- Portez des lunettes de sécurité conformes aux normes ANSI / ISEA Z87.1 en vigueur et marquées comme telles. Portez une protection auditive pendant l'utilisation de cet appareil. Portez un écran facial ou un masque antipoussières si la tâche est poussiéreuse.
- Portez un pantalon long et épais, des bottes, des gants et une chemise à manches longues. Ne portez pas des vêtements amples, des bijoux, un pantalon court, des sandales et ne travaillez pas pieds nus. Attachez vos cheveux au-dessus des épaules.
- Utilisez l'appareil uniquement en plein jour ou avec un bon éclairage artificiel.
- Utilisez le bon outil. Utilisez uniquement cet outil pour l'usage prévu.
- Tenez toujours fermement l'appareil lors de l'utilisation.
- Ne vous penchez pas trop en avant. Conservez toujours une position stable et un bon équilibre. Redoublez de prudence lorsque vous travaillez dans des escaliers, des pentes ou des rampes abruptes. Pour éviter les blessures graves, n'utilisez pas l'appareil lorsque vous vous trouvez sur une échelle ou un toit.
- Garder les cheveux, le visage, les mains, les pieds et toutes les autres parties du corps à l'écart des parties et des ouvertures mobiles. Ne touchez pas ou n'essayez pas d'arrêter des pièces en mouvement.
- N'utilisez pas l'appareil à une vitesse supérieure à celle nécessaire pour réaliser le travail. Ne faites pas fonctionner l'appareil à haute vitesse quand vous ne l'utilisez pas.
- Ne forcez pas l'appareil. Il sera plus efficace et plus sûr si vous l'utilisez à la vitesse pour laquelle il a été conçu.
- Éteignez toujours l'appareil lorsque l'opération est retardée ou lorsque vous transportez l'appareil d'un endroit à l'autre.
- Avant de déposer l'appareil, éteignez-le toujours et attendez que toutes les pièces en mouvement s'arrêtent complètement.
- Évitez de démarrer l'unité involontairement. Assurez-vous que le bouton de verrouillage est en position verrouillée avant d'installer ou d'enlever la batterie. Ne jamais transporter l'appareil en ayant les doigts sur la détente.
- Retirez la batterie de l'appareil lorsqu'il n'est pas utilisé.
- Ne pas utiliser l'appareil si la détente et le verrouillage de la détente ne permettent pas de démarrer et d'arrêter l'appareil.
- Si l'appareil frappe un objet étranger, ou s'y empêtre, arrêtez immédiatement le moteur, retirez la batterie et vérifiez s'il y a des dommages. S'il est endommagé, ne redémarrez pas ni n'utilisez l'appareil jusqu'à ce qu'il soit réparé. N'utilisez pas l'appareil quand des pièces sont desserrées ou endommagées.
- Utilisez uniquement des pièces et des accessoires de rechange du fabricant d'origine pour cet appareil. Ils sont disponibles auprès de votre centre de réparation agréé. L'utilisation d'autres pièces ou accessoires pourrait entraîner de graves blessures de l'utilisateur ou endommager l'appareil, et annuler la garantie.
- L'appareil doit rester propre. Arrêtez le moteur, enlevez la batterie et laissez l'appareil refroidir. Retirez avec précaution la végétation et autres débris qui pourraient bloquer les pièces mobiles.
- Si l'appareil commence à vibrer anormalement, arrêtez le moteur, enlevez la batterie et laissez l'appareil refroidir. Inspectez l'appareil pour découvrir l'origine des vibrations. Les vibrations indiquent en général un problème.

## SÉCURITÉ DU TAILLE-HAIE



**DANGER :** Garder toutes les parties du corps (mains, pieds, visage, etc.) à l'écart des lames en mouvement. Un contact avec les lames mobiles peut entraîner de graves blessures.

- S'assurer que les lames n'entrent pas en contact avec quoi que ce soit avant de mettre en marche l'appareil.
- Tenez toujours l'appareil à deux mains lorsque vous l'utilisez. L'utiliser d'une seule main peut causer une perte de contrôle et entraîner des blessures graves.
- **NE PAS** retirer le matériau coupé ou le maintenir pour qu'il soit coupé tandis que les lames sont en mouvement. Arrêter toujours l'appareil et retirer la batterie avant de tenter d'enlever les débris ou les matériaux coincés.
- Prévoir du temps pour que les pièces en mouvement s'immobilisent après l'arrêt de l'appareil. Les lames gardent le rythme pendant un court laps de temps.
- **NE PAS** couper au-dessus de la hauteur des épaules.
- **NE PAS** utiliser la protection avant comme une poignée.
- Garder les lames affûtées et propres.
- Suivre toutes les instructions de lubrification fournies dans ce manuel.
- Les lames deviennent très affûtées du fait de leur utilisation. Lors de la manipulation, du remplacement ou du nettoyage des lames, portez toujours des gants épais.

## AUTRES AVERTISSEMENTS DE SÉCURITÉ

- Maintenez l'unité avec soin. Suivez toutes les instructions d'entretien de ce manuel.
- N'effectuez pas de procédures de maintenance autres que celles décrites dans ce manuel. Ne tentez pas de réparer l'appareil, il ne contient aucune pièce réparable par l'utilisateur. Tous les services d'entretien courant, autres que les procédures de maintenance décrites dans ce manuel, doivent être effectués par un atelier de réparation agréé.
- N'utilisez pas l'appareil s'il ne fonctionne pas correctement, s'il a été échappé, laissé à l'extérieur ou s'il est tombé dans l'eau. Faire réparer l'appareil par un atelier de réparation agréé.
- Ne retirez, modifiez ou rendez jamais inopérant tout dispositif de sécurité fourni avec l'appareil.
- Avant une inspection, un entretien, un nettoyage, un entreposage, un transport ou le remplacement d'une pièce de l'appareil :
  1. Arrêtez le moteur. Consultez les sections *Mise en marche et Arrêt*.
  2. Attendez que toutes les pièces mobiles s'arrêtent.
  3. Enlevez la batterie.
  4. Laissez l'appareil refroidir.
- Fixez bien l'appareil pendant le transport.
- Rangez l'appareil dans un endroit sec, sécurisé ou à une hauteur permettant d'éviter toute utilisation ou tout dommage indésirable. Laissez l'appareil hors de la portée des enfants.
- N'arrosez jamais l'appareil avec de l'eau ou tout autre liquide. Évitez que de l'eau ne pénètre dans le moteur ou dans les connexions électriques. Gardez les poignées sèches et propres (sans débris, huile et graisse). Nettoyez l'appareil après chaque utilisation. Reportez-vous à *Nettoyage et rangement*. N'utilisez pas de solvants ou de détergents puissants.
- Conservez ces instructions. Consultez-les souvent et utilisez-les pour expliquer le fonctionnement aux autres utilisateurs. Si vous prêtez cet appareil à d'autres, prêtez-leur aussi ces instructions.

# CONSERVEZ CES INSTRUCTIONS

## • SYMBOLES DE SÉCURITÉ ET INTERNATIONAUX •

Le présent manuel de l'opérateur décrit les symboles et pictogrammes de sécurité et internationaux, susceptibles d'apparaître sur ce produit. Veuillez lire le manuel de l'opérateur pour connaître les informations complètes sur la sécurité, l'assemblage, l'utilisation, l'entretien et la réparation.

### SYMBOLE SIGNIFICATION

	<ul style="list-style-type: none"> <li>• <b>SYMBOLE D'ALERTE DE SÉCURITÉ</b> Indique un danger, un avertissement ou une mise en garde. Peut être utilisé conjointement avec d'autres symboles ou pictogrammes.</li> </ul>
	<ul style="list-style-type: none"> <li>• <b>LISEZ LE MANUEL DE L'OPÉRATEUR</b> <b>AVERTISSEMENT :</b> veuillez lire le(s) manuel(s) de l'opérateur et respecter tous les avertissements et consignes de sécurité. Dans le cas contraire, l'opérateur et/ou les passants peuvent subir des blessures graves.</li> </ul>
	<ul style="list-style-type: none"> <li>• <b>PORTEZ DES PROTECTIONS AUDITIVES ET OCULAIRES</b> <b>AVERTISSEMENT :</b> la projection d'objets et les bruits forts peuvent provoquer des blessures oculaires graves et une perte auditive. Portez une protection oculaire conforme aux normes ANSI / ISEA Z87.1 en vigueur, ainsi qu'une protection auditive pendant l'utilisation de cet appareil. Utilisez un écran facial complet dès que nécessaire.</li> </ul>
	<ul style="list-style-type: none"> <li>• <b>PORTER DES CHAUSSURES PROTECTRICES</b> En utilisant cet appareil, toujours porter de robustes chaussures antidérapantes.</li> </ul>
	<ul style="list-style-type: none"> <li>• <b>PORTER DES GANTS</b> En utilisant cet appareil, toujours porter de robustes gants antidérapants.</li> </ul>
<b>V</b>	• <b>VOLTS</b> - Tension
<b>A</b>	• <b>AMPÈRES</b> - Courant
<b>Hz</b>	• <b>HERTZ</b> - Fréquence (cycles par seconde)
<b>AC</b>	• <b>COURANT ALTERNATIF</b> - Type de courant
<b>--- ou DC</b>	• <b>COURANT DIRECT</b> - Type de courant
<b>Ah</b>	• <b>AMPÈRE/HEURE</b> - Mesure de la capacité de charge
<b>Wh</b>	• <b>WATT/HEURE</b> - Mesure de l'énergie

### SYMBOLE SIGNIFICATION

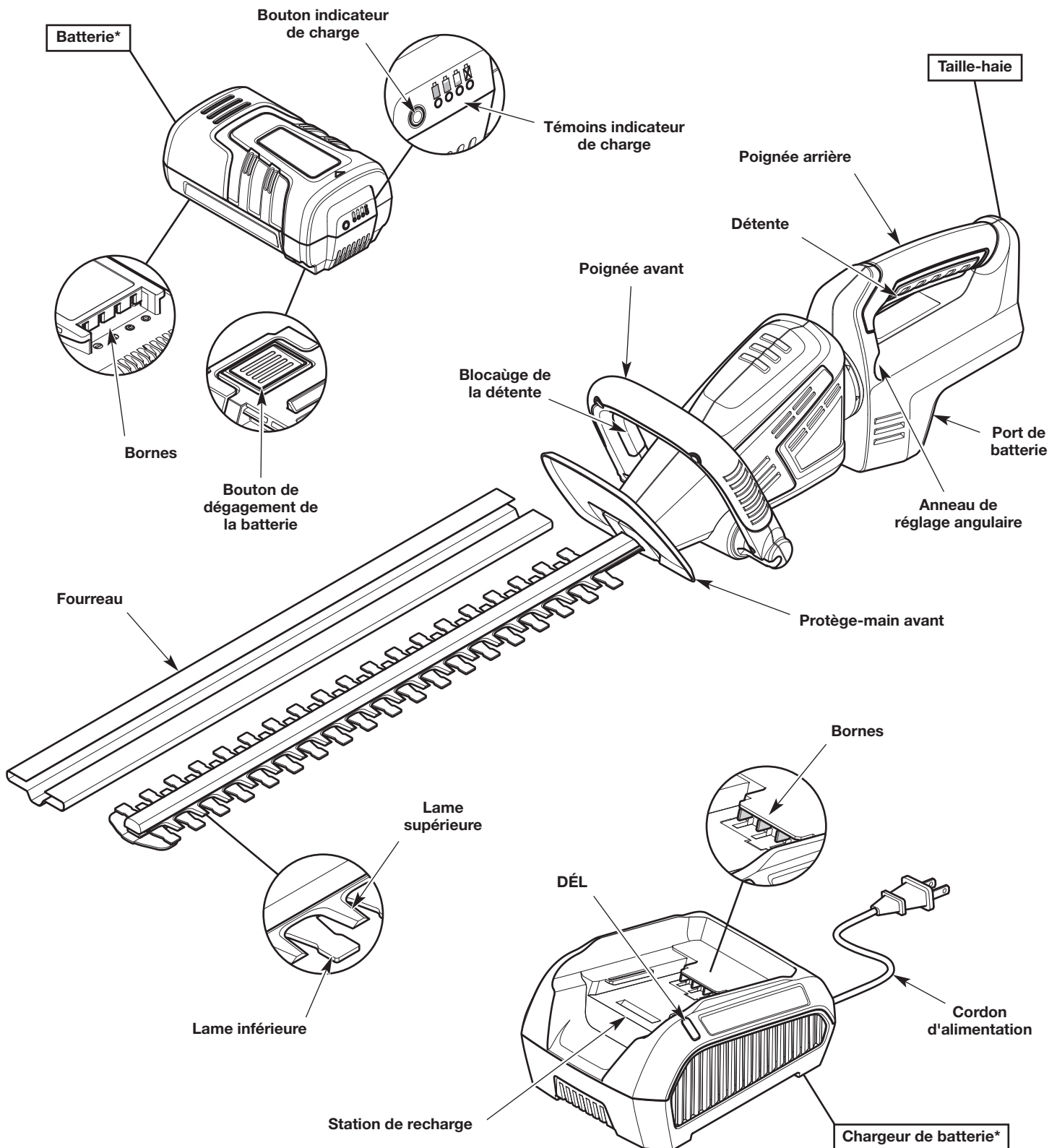
	<ul style="list-style-type: none"> <li>• <b>LES OBJETS PROJETÉS PEUVENT CAUSER DES BLESSURES GRAVES</b> <b>AVERTISSEMENT :</b> les petits objets peuvent être propulsés à des vitesses élevées, provoquant des blessures.</li> </ul>
	<ul style="list-style-type: none"> <li>• <b>ÉLOIGNEZ LES PASSANTS</b> <b>AVERTISSEMENT :</b> éloignez tous les passants, en particulier les enfants et les animaux domestiques, à 15 m (50 pieds) au moins de la zone de coupe.</li> </ul>
	<ul style="list-style-type: none"> <li>• <b>SE TENIR À L'ÉCART DES LAMES EN MOUVEMENT</b> <b>DANGER :</b> Garder toutes les parties du corps (mains, pieds, du visage, etc.) à l'écart des lames en mouvement. Un contact avec les lames mobiles peut entraîner de graves blessures.</li> </ul>
	<ul style="list-style-type: none"> <li>• <b>N'UTILISEZ PAS L'APPAREIL SOUS LA PLUIE</b> <b>AVERTISSEMENT :</b> Évitez les environnements dangereux. N'utilisez jamais l'appareil sous la pluie ou par temps humide. L'humidité constitue un risque d'électrocution.</li> </ul>
	<ul style="list-style-type: none"> <li>• <b>NE PAS JETER DANS LES ORDURES MÉNAGÈRES</b> Recycler la batterie ou la jeter conformément aux réglementations fédérale, provinciale et locale.</li> </ul>

# APPRENEZ À CONNAÎTRE VOTRE APPAREIL

## APPLICATIONS

- Pour tailler les haies et les buissons

## AUCUN OUTIL D'ASSEMBLAGE REQUIS



\*\* La batterie et le chargeur ne sont pas inclus avec le modèle RM4020B.

## CARACTÉRISTIQUES

Poids approximatif (sans la batterie) . . . . .	2,3 à 2,7 kg (5 à 6 livres)
Longueur de la lame . . . . .	55,8 cm (22 po)
Diamètre de coupe maximal . . . . .	1,9 cm (0,75 po)
Type de batterie (modèle RM4130) . . . . .	40V, 2,5 Ah Lithium-Ion
Type de batterie (modèle RM4140) . . . . .	40V, 4,0 Ah Lithium-Ion
Type de batterie (modèle RM4150) . . . . .	40V, 5,0 Ah Lithium-Ion
Poids approximatif de la batterie (modèle RM4130) . . . . .	0,9 à 1,1 kg (1,9 à 2,4 livres)
Poids approximatif de la batterie (modèle RM4140) . . . . .	1,3 à 1,5 kg (2,9 à 3,4 livres)
Poids approximatif de la batterie (modèle RM4150) . . . . .	1,4 à 1,6 kg (3,0 à 3,5 livres)
Température de charge optimale de la batterie . . . . .	0° à 40° C (32° à 104° F)
Température optimale de stockage de la batterie . . . . .	18° à 23° C (64° à 73° F)
Température optimale de la batterie en cours d'utilisation . . . . .	0° à 45° C (32° à 113° F)
Entrée du chargeur de batterie . . . . .	120 V 60 Hz c.a. uniquement
Sortie du chargeur de batterie . . . . .	1,8 A 40 V c.c.
Durée approximative de charge (modèle RM4130) . . . . .	105 minutes
Durée approximative de charge (modèle RM4140) . . . . .	135 minutes
Durée approximative de charge (modèle RM4150) . . . . .	162 minutes
Poids approximatif du chargeur de batterie . . . . .	0,6 à 0,8 kg (1,25 à 1,75 livres)

Toutes les caractéristiques reposent sur les dernières informations disponibles sur le produit au moment de l'impression de ce manuel. Nous nous réservons le droit d'apporter à tout instant des modifications, sans préavis.

## ASSEMBLAGE

### MONTAGE MURAL DU CHARGEUR (FACULTATIF)

Le chargeur de batterie peut être installé sur une surface stable, comme un mur ou un établi. Utilisez des attaches (non incluses) capables de supporter le poids combiné de la batterie et du chargeur. Des ouvertures de montage mural sont situées sur la partie inférieure de du chargeur (Fig. 1).

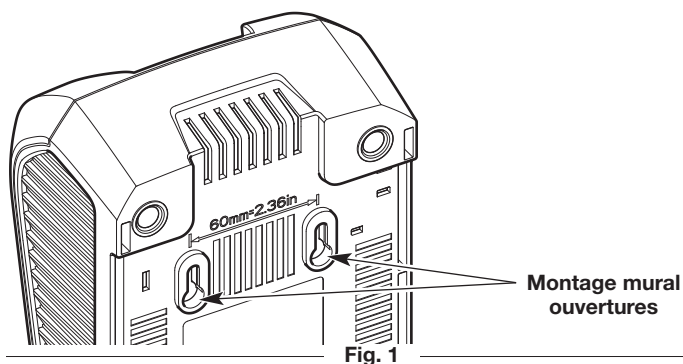


Fig. 1

### CHARGE DE LA BATTERIE

**REMARQUE :** La batterie n'est pas livrée entièrement chargée.

**REMARQUE :** Les batteries lithium-ion ne développent pas de mémoire et peuvent être chargées en tout moment.

Pour obtenir un temps de fonctionnement maximal, rechargez complètement la batterie avant chaque utilisation.

1. Branchez le chargeur à une prise de courant appropriée. Le témoin DEL doit passer au rouge : (fixe) (Fig. 3). Dans le cas contraire :
  - S'assurer que le chargeur de batterie est bien branché à une prise de courant appropriée.
  - S'assurer que la prise électrique fonctionne en la testant avec un autre appareil électrique.
2. Insérez la batterie dans la station de charge (Fig. 2). Poussez la batterie fermement jusqu'à ce qu'elle s'enclenche.

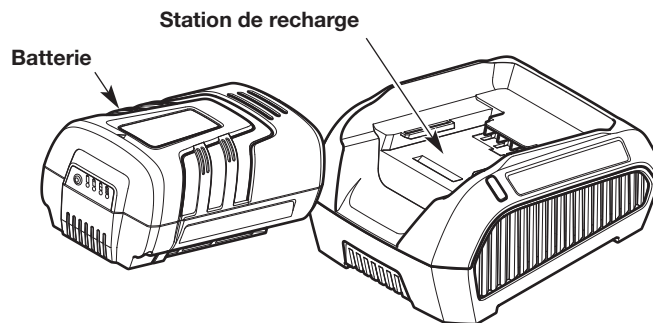


Fig. 2



3. Examiner la DEL. La DEL indique l'état de la batterie :

- **Vert (clignotant) :** La batterie est en cours de chargement. Charger la batterie jusqu'à ce que le témoin vert arrête de clignoter.
- **Vert (stable) :** La batterie est entièrement chargée.
- **Rouge (clignotant - lent) :** La batterie ou le chargeur sont trop chauds ou trop froids. S'assurer que la batterie et le chargeur sont dans un environnement où la température oscille entre 0 ° et 40 °C (32 ° et 104 °F). Prévoir du temps pour que la batterie ou le chargeur se réchauffe ou se refroidisse.
- **Rouge (clignotant - rapide) :** La batterie n'est plus fonctionnelle. Reportez-vous à la section *Garantie* pour connaître l'information de remplacement.
- **Rouge (stable) :** La batterie ne se charge pas. Enlevez la batterie. Assurez-vous que les bornes de la batterie et du chargeur de batterie sont propres. Remettez la batterie dans la station de charge. Poussez la batterie fermement jusqu'à ce qu'elle s'enclenche.

4. Pour optimiser la durée de vie de la batterie, le chargeur s'éteint lorsque la charge est terminée. Une fois la batterie complètement chargée, retirez-la du chargeur de batterie. En option, la batterie peut être rangée dans le chargeur de batterie, mais ce faisant, le chargeur de batterie doit être débranché de la prise électrique.

Pour enlever la batterie : Tenez le chargeur de batterie en place d'une seule main. Appuyez sur le bouton de dégagement de la batterie de l'autre main (Fig. 4). Sortez la batterie en la faisant glisser dans la station de charge.

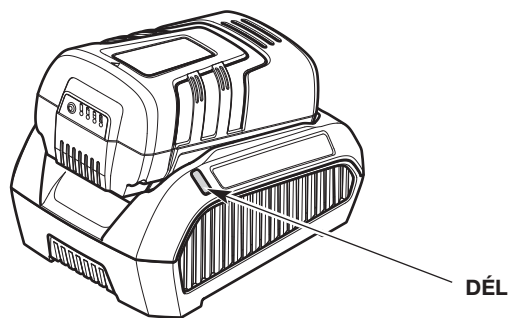


Fig. 3

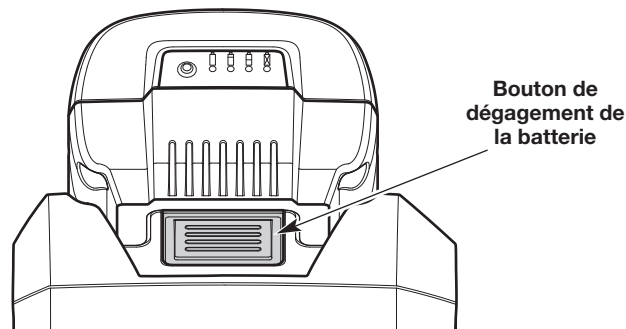


Fig. 4

## INSTALLATION ET RETRAIT DE LA BATTERIE



**AVERTISSEMENT :** Évitez tout démarrage accidentel de l'appareil. Pour prévenir les blessures graves, **n'appuyez PAS** sur le blocage de la détente et **n'appuyez PAS** sur la détente en installant ou en retirant la batterie. Consultez les sections *Mise en marche et Arrêt*. Retirez la batterie de l'appareil lorsqu'il n'est pas utilisé.

### Installation de la batterie

1. Saisissez fermement la poignée arrière (Fig. 5). **NE serrez PAS** la détente. Reportez-vous à la rubrique *Démarrage et arrêt*.
2. Insérez la batterie en la faisant glisser dans le port de la batterie (Fig. 5). Poussez fermement la batterie jusqu'à ce que le loquet de la batterie s'enclenche (Fig. 5). Vous devriez entendre un « clic ».
3. Tirez délicatement sur la batterie pour vous assurer qu'elle est fermement verrouillée en place.

### Retrait de la batterie

1. Saisissez fermement la poignée arrière (Fig. 5). **NE serrez PAS** la détente. Reportez-vous à la rubrique *Démarrage et arrêt*.
2. Appuyez sur le loquet de la batterie pour la déverrouiller (Fig. 5).
3. Retirez la batterie du port de la batterie (Fig. 5).

**REMARQUE :** Il est probable qu'il faille tirer fortement pour enlever la batterie.

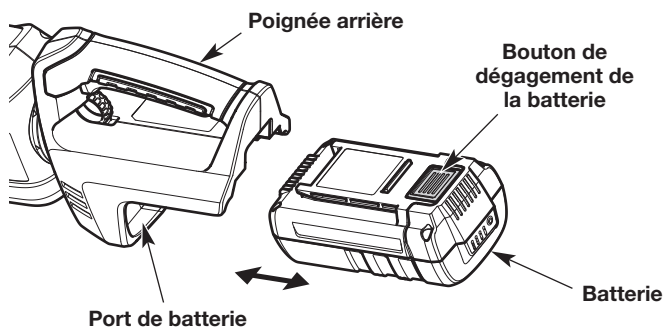


Fig. 5



## MISE EN MARCHÉ ET ARRÊT

### INSTRUCTIONS DE DÉMARRAGE

Pour éviter que le moteur ne démarre accidentellement, cet appareil dispose d'un blocage de la détente. La détente ne peut pas être enfoncée à moins que le blocage ne soit également engagé.

1. Installez la batterie. Reportez-vous à *Installation de la batterie*.
2. Serrez le blocage de la détente se trouvant dans la poignée avant et maintenez-le en place (Fig. 6).
3. Maintenir le blocage de la détente enfoncé. Presser et maintenir la détente enfoncée pour démarrer l'appareil (Fig. 7).
4. Continuez à serrer le blocage de la détente. Serrez la détente autant que nécessaire pour l'opération.

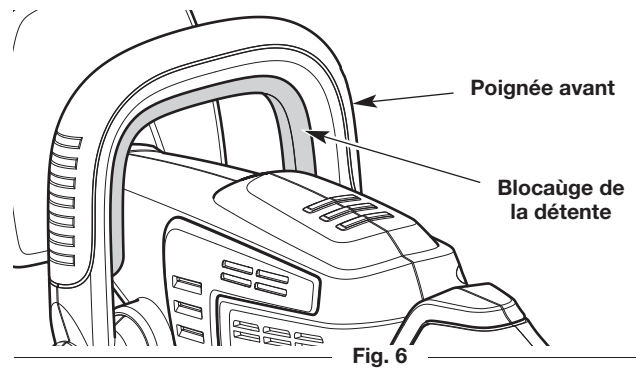


Fig. 6

### INSTRUCTIONS D'ARRÊT

1. Relâchez la détente ou le blocage de la détente (Fig. 6 et 7).
2. Attendez que toutes les pièces mobiles s'arrêtent complètement.

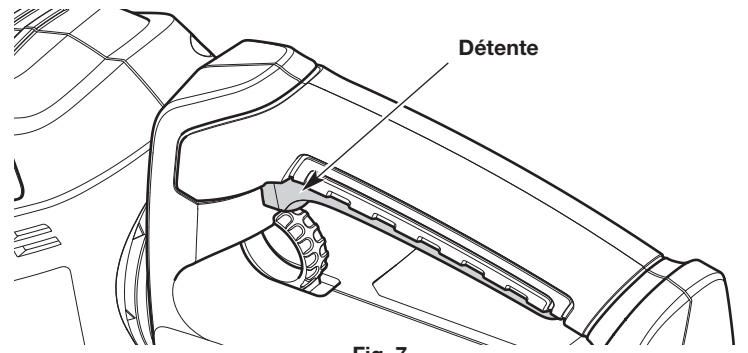


Fig. 7

## UTILISATION



**AVERTISSEMENT :** N'exposez pas les outils électriques à la pluie ou au temps humide.

### VÉRIFICATION DU NIVEAU DE CHARGE DE LA BATTERIE

1. Appuyez sur le bouton indicateur de charge de la batterie (Fig. 8).
2. Au moins un des témoins de l'indicateur d'intensité de chargement doit s'allumer (Fig. 8). Le nombre et la couleur des témoins indiquent le niveau actuel de charge de la batterie :
  - 3 Témoins verts = 66 - Charge à 100 %
  - 2 Témoins verts = 33 - Charge à 66 %
  - 1 Témoins verts = charge de 1 à 33 %
  - 1 Témoin rouge = charge à 0 %
3. Si le témoin rouge s'allume : chargez la batterie avant tout autre utilisation.

**REMARQUE :** En cours d'utilisation, les batteries lithium-ion offrent une alimentation avec un minimum de perte de puissance. Lorsque la batterie est complètement déchargée, l'alimentation de l'appareil se coupera immédiatement et une charge sera nécessaire.

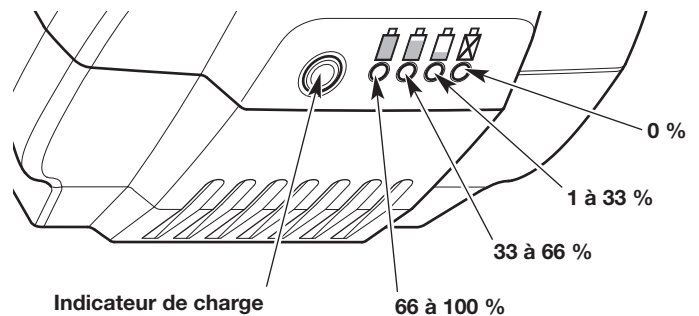


Fig. 8



**AVERTISSEMENT** : portez toujours une protection pour les yeux, les oreilles, les mains, les pieds et le corps afin de limiter les risques de blessure pendant l'utilisation de cet appareil. Portez un masque facial ou antipoussière si le travail est poussiéreux.



**DANGER** : Garder toutes les parties du corps (mains, pieds, visage, etc.) à l'écart des lames en mouvement. Un contact avec les lames mobiles peut entraîner de graves blessures.

## TENUE DE L'APPAREIL

- Placez-vous en position d'utilisation (Fig. 9). Tenez-vous bien droit. Ne vous penchez pas.
- Gardez les pieds écartés et fermement posés sur le sol.
- Maintenez l'appareil d'une prise ferme.
- Tenir la poignée arrière avec la main droite. Le bras droit doit rester légèrement plié.
- Tenir la poignée avant avec la main gauche. Le bras gauche doit rester tendu.
- **NE PAS** couper au-dessus de la hauteur des épaules.

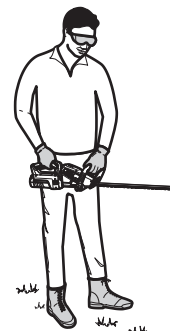


Fig. 9

## RÉGLAGE DE L'ANGLE DE COUPE



**AVERTISSEMENT** : Pour éviter de graves blessures et des dommages à l'unité, éteignez cette dernière et attendez que toutes les pièces mobiles s'immobilisent avant de régler l'angle de coupe.

Réglez l'angle de coupe, au besoin :

1. Tirez et maintenez l'anneau d'ajustement angulaire (Fig. 10).
2. Faites pivoter le logement du moteur à l'angle désiré. Il existe plusieurs positions prédéfinies. Chaque position est marquée d'une flèche (Fig. 11).
3. Relâchez l'anneau d'ajustement angulaire.
4. Assurez-vous que le boîtier du moteur et la poignée sont solidement verrouillés en place.

**REMARQUE** : L'unité ne démarre pas si la poignée n'est pas bien verrouillée dans l'une des positions marquées.

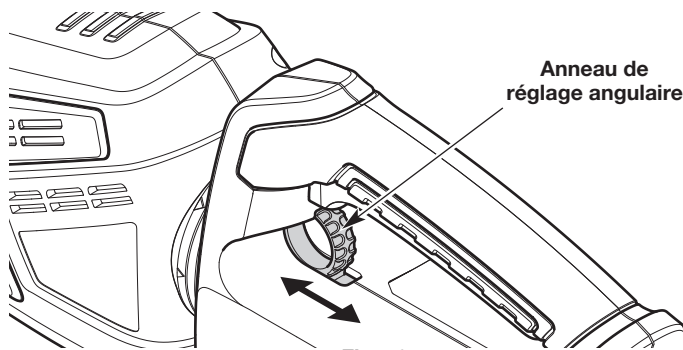


Fig. 10

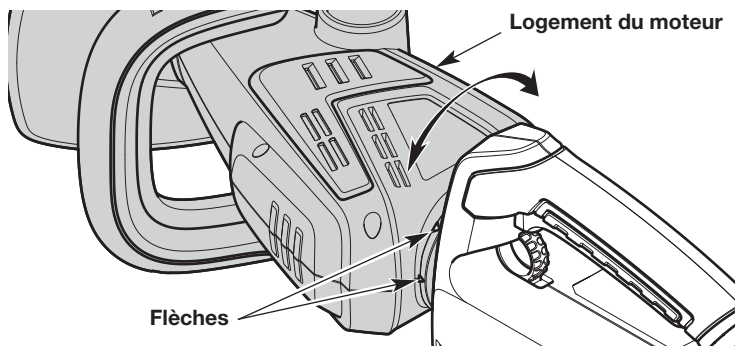


Fig. 11

## CONSEILS POUR OBTENIR LES MEILLEURS RÉSULTATS

- Garder les lames affûtées et propres. Se reporter à la rubrique *Maintenance des lames* dans la section *Maintenance*.
- Garder les lames correctement lubrifiées. Se reporter à la rubrique *Lubrification des lames* dans la section *Entretien*.
- Pour tailler une nouvelle pousse, effectuez un large mouvement de balayage avec une légère inclinaison vers le bas de la lame.
- Pour tailler les plus vieilles végétations comportant des tiges plus épaisses, faites un mouvement de sciage.
- Ne pas essayer de couper des tiges d'un diamètre supérieur à 1,9 cm (0,75 po). Utilisez une scie à main non motorisée ou scie d'élagage pour couper les grosses tiges.
- Utilisez une ficelle pour obtenir une haie de niveau. Tendez une ficelle à la hauteur désirée le long du haut de la haie et taillez la haie juste au-dessus de cette ficelle (Fig. 12).
- Pour tailler les côtés de la haie, balayez le taille-haie vers le haut en partant du bas de la haie. Taillez les côtés de la haie afin que la partie supérieure soit légèrement plus étroite.
- Nettoyez après l'opération. Jetez les résidus de manière appropriée.
- Retirez la batterie de l'appareil lorsqu'il n'est pas utilisé.

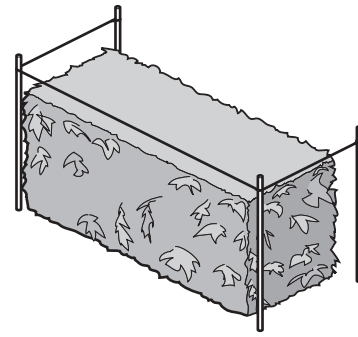


Fig. 12



**AVERTISSEMENT : NE PAS** retirer le matériau coupé ou le maintenir pour qu'il soit coupé tandis que les lames sont en mouvement. Arrêter toujours l'appareil et retirer la batterie avant de tenter d'enlever les débris ou les matériaux coincés. Prévoir du temps pour que les pièces en mouvement s'immobilisent après l'arrêt de l'appareil. Les lames gardent le rythme pendant un court laps de temps.

## ENTRETIEN



**AVERTISSEMENT :** Pour éviter les graves blessures, n'effectuez jamais l'entretien de l'appareil lorsqu'il est en marche. Enlevez toujours la batterie pour empêcher l'appareil de démarrer accidentellement. Laissez toujours l'appareil refroidir avant d'en effectuer l'entretien. Avant de maintenir le chargeur de batterie, débranchez-le toujours de la prise électrique.

**REMARQUE :** Certaines procédures d'entretien nécessitent des compétences ou des outils particuliers. Si vous n'êtes pas certain d'être capable d'effectuer ces procédures, apportez l'appareil chez un concessionnaire agréé.

## MAINTENANCE DU CHARGEUR DE BATTERIE

- Gardez le chargeur de batterie sec, propre et exempt de débris. Ne laissez pas des corps étrangers dans la station de charge ou sur les bornes (Fig. 13). Avant chaque utilisation, inspectez le chargeur afin de déceler si des corps étrangers s'y trouvent.
- Assurez-vous que le chargeur n'a pas été court-circuité par des débris. Inspectez les bornes afin de déceler si de la suie et des signes de fonte sont présents. Ne tentez pas d'utiliser un chargeur court-circuité.

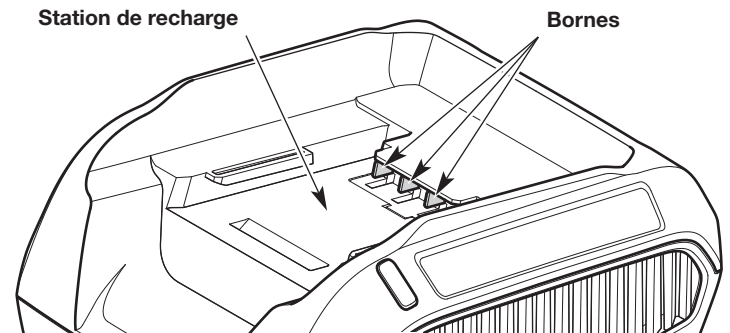
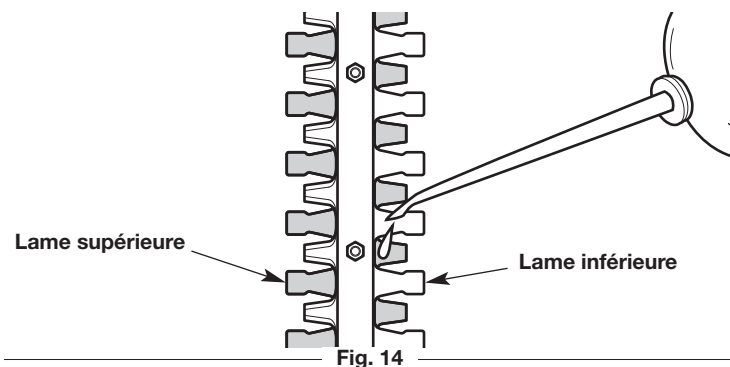


Fig. 13

## LUBRIFICATION DES LAMES

Pour faciliter l'opération et accroître la durée de vie de la lame, lubrifier les lames **AVANT** et **APRÈS** chaque utilisation. Ne jamais lubrifier les lames alors que le moteur est en marche ou que les lames sont en mouvement.

1. Arrêter le moteur, attendre que toutes les pièces s'immobilisent, retirer la batterie et laisser l'appareil refroidir.
2. Rensover l'appareil (Fig. 14).
3. Appliquez une légère huile à machine entre la lame supérieure et la lame inférieure (Fig. 14). Appliquez de l'huile sur toute la longueur des lames.



## MAINTENANCE DES LAMES

Les lames de coupe sont fabriquées en acier trempé de haute qualité. Dans le cadre d'une utilisation normale, il ne sera pas nécessaire de les réaffûter, à moins qu'elles ne deviennent ébréchées en raison d'un contact avec des objets durs, comme des clôtures métalliques, du verre, des pierres ou des briques.

Si une ébréchure se produit et que cela interfère avec le fonctionnement :

1. Arrêter le moteur, attendre que toutes les pièces s'immobilisent, retirer la batterie et laisser l'appareil refroidir.
2. Utilisez une lime à dents fines ou une pierre à aiguiser pour enlever l'ébréchure.

## NETTOYAGE ET RANGEMENT

### NETTOYAGE



**AVERTISSEMENT :** Pour éviter de graves blessures, ne nettoyez jamais l'appareil lorsqu'il est en marche. Enlevez toujours la batterie pour empêcher le démarrage accidentel de l'appareil. Laissez toujours l'appareil refroidir avant de le nettoyer. Débranchez toujours le chargeur de batterie avant de le nettoyer.



**AVERTISSEMENT :** Pour éviter les blessures graves, n'utilisez pas d'eau pour nettoyer l'appareil, la batterie ou le chargeur de batterie. N'arrosez pas l'unité avec de l'eau. Ne pas plonger l'appareil dans l'eau ou tout autre liquide. N'utilisez pas de détergents puissants. Les nettoyants ménagers contenant des huiles aromatiques telles que le pin et le citron, ainsi que les solvants tels que le kérosène peuvent endommager le plastique.

- Utilisez une petite brosse ou un chiffon propre et sec pour nettoyer l'extérieur de l'appareil, de la batterie ou du chargeur de batterie.
- Nettoyer les lames avec de l'eau. Pour éviter la rouille, essuyer les lames avec une légère huile à machine.

### RANGEMENT

- Enlevez la batterie de l'appareil.
- Laissez l'appareil, la batterie ou le chargeur de la batterie refroidir.
- Nettoyer soigneusement l'appareil, la batterie et le chargeur de batterie. Les inspecter pour découvrir toutes les pièces lâches ou endommagées. Remplacez les pièces endommagées et serrez les vis, écrous et boulons.
- Bloquer l'appareil, la batterie et le chargeur de batterie pour éviter toute utilisation ou tout accident indésirable.
- Conserver l'appareil, la batterie et le chargeur de batterie à l'intérieur, dans un endroit sec et bien aéré.
- Rangez la batterie et le chargeur de batterie dans un endroit se trouvant entre 18 et 24 °C (65 et 75 °F).
- Débranchez toujours le chargeur de batterie quand il n'est pas utilisé.
- Laissez l'appareil, la batterie et le chargeur de batterie hors de la portée des enfants.
- Si la batterie n'est pas utilisée pendant plus de deux mois, rechargez-la complètement avant de l'utiliser.

## DÉPANNAGE

PROBLÈME	SOLUTION
<b>LA BATTERIE NE SE CHARGE PAS</b>	
Le chargeur de batterie n'est pas branché	Branchez le chargeur dans une source de courant alternatif de 120 volts 60Hz
La batterie n'est pas complètement insérée dans le chargeur de batterie	Enlevez et remettez complètement la batterie dans le chargeur de batterie
La batterie ou le chargeur sont trop chauds ou trop froids	S'assurer que la batterie et le chargeur sont dans un environnement où la température oscille entre 0 ° et 40 °C (32 ° et 104 °F). Prévoir du temps pour que la batterie ou le chargeur se réchauffer ou se refroidir.
La batterie ou le chargeur de batterie ne sont plus fonctionnels	Reportez-vous à la section <i>Garantie</i> pour connaître l'information de remplacement
<b>LA BATTERIE SE DÉCHARGE RAPIDEMENT</b>	
La batterie n'est pas entièrement chargée	Rechargez la batterie complètement
La batterie ou le chargeur de batterie ne sont plus fonctionnels	Reportez-vous à la section <i>Garantie</i> pour connaître l'information de remplacement
<b>LE MOTEUR NE FONCTIONNE PAS</b>	
La batterie n'a pas une charge suffisante	Rechargez la batterie complètement
La batterie n'est pas entièrement chargée	Retirez et réinstallez la batterie
Le blocage de la détente n'était pas engagé	Appuyez sur le blocage de la détente et maintenez-la enfoncée avant de relâcher la détente
<b>LE MOTEUR S'ARRÊTE EN COURS D'UTILISATION, MAIS LA BATTERIE A TOUJOURS UNE CHARGE SUFFISANTE</b>	
Les systèmes de protection de l'appareil se sont engagés	Enlevez la batterie et laissez la refroidir pendant 30 secondes, puis réinstallez la batterie
<b>LE MOTEUR TOURNE, MAIS LES LAMES NE BOUGENT PAS</b>	
Des débris bloquent les lames	Arrêter le moteur, attendre que toutes les pièces s'immobilisent, retirer la batterie et laisser l'appareil refroidir. Retirer délicatement les débris.
Les lames sont endommagées	Faire réparer l'appareil par un atelier de réparation certifié

**Si une assistance supplémentaire est nécessaire, communiquer avec un atelier de réparation agréé.**

# REMINGTON®

## GARANTIE LIMITÉE DE REMINGTON LLC

### Garantie Limitée

La garantie limitée énoncée dans le présent document est octroyée par Remington LLC pour les nouveaux produits de marque Remington (ci-après dénommés « produit ») achetés et utilisés aux États-Unis ou au Canada par l'acheteur initial (comme défini dans le présent document). Ce produit n'est pas destiné à la location ou à une utilisation commerciale.

### Portée de cette garantie limitée

Remington LLC offre à l'acheteur initial la garantie limitée suivante pour une utilisation résidentielle et non commerciale : à l'exception des exclusions (définies dans la présente), pendant la période de garantie (comme défini dans le présent document), ce produit (à l'exclusion de la batterie et du chargeur de batterie) sera exempt de défauts de fabrication, y compris de défauts de fabrication et de matériaux. L'« acheteur initial » est la première personne qui achète ce nouveau produit auprès d'un revendeur, distributeur ou détaillant agréé Remington de tels produits. Cette garantie limitée est non transférable. Sous réserve des exclusions et sauf indication contraire dans le présent document, la période de garantie limitée de ce nouveau produit acheté par l'acheteur initial est de **trois (3) ans** à compter de la date d'achat indiquée sur le reçu de vente original pour le produit (« Période de garantie »).

### Défauts de fabrication ou de matériaux

Sous réserve des exclusions et sauf indication contraire dans le présent document, nous certifions que ce produit est exempt de défectuosité (de fabrication ou de matériaux) pour la période de garantie. Au cours de la période de garantie, Remington LLC, à son gré, réparera ou remplacera toute pièce d'origine couverte par cette garantie limitée et déterminée comme comportant un défaut de fabrication ou de matériel.

### Pour être admissible à cette garantie limitée, ce produit :

1. Doit avoir été acheté chez un détaillant autorisé.
2. Doit avoir été acheté par l'acheteur initial aux États-Unis ou au Canada.
3. Doit avoir été utilisé à des fins résidentielles (et non commerciales) seulement.
4. Doit avoir été utilisé d'une manière compatible avec l'utilisation prévue normale et adéquate pour ce produit.

### Qui peut effectuer des réparations dans le cadre de cette garantie?

Afin de se qualifier pour la garantie limitée selon ce document, les réparations effectuées dans le cadre de cette garantie doivent être effectuées par un fournisseur de services Remington agréé.

### Comment obtenir un service en vertu de cette garantie limitée.

Pour trouver un fournisseur de service de garantie Remington, communiquez avec votre revendeur, distributeur ou détaillant autorisé de Remington ou communiquez avec Remington LLC chez P.O. Box 361032, Cleveland, Ohio 44136-0019, composez le 1 866 206-2707 ou accédez à notre site Web à l'adresse [www.remingtonpowertools.com](http://www.remingtonpowertools.com). Au Canada, Communiquez avec MTD Products Limited, 97 Kent Avenue, Kitchener, ON N2G 3R2, ou téléphonez au 1 877 696-5533 ou consultez le site Web référencé ci-dessus Cette garantie limitée du produit est fournie par Remington LLC et il s'agit de la seule garantie de produit fourni par Remington LLC pour ce produit. UNE COPIE DE VOTRE FACTURE EST REQUISE POUR OBTENIR UN SERVICE DE GARANTIE.

### Ce que cette garantie limitée ne couvre pas.

#### Cette garantie limitée ne couvre pas ce qui suit (les « Exclusions »):

1. Produit acheté à l'extérieur des États-Unis ou du Canada.
2. Les dommages causés par un manque d'entretien ou un entretien inadéquat comme décrit dans le manuel de l'opérateur.



3. L'usure normale résultant de l'utilisation de ce produit.
4. Les pièces à usure normale (comme définies dans la présente) sont garanties contre tous vices de matière et de fabrication pour une période de trente (30) jours à partir de la date d'achat initiale du produit ou de la location par l'acheteur initial. Aux fins de la présente garantie limitée, les « pièces à usure normale » comprennent, sans toutefois en exclure d'autres, des articles comme : boutons de butée, bobines extérieures, ligne de coupe, bobines intérieures, poulies de démarrage, cordes de démarrage, courroies de transmission, chaînes de scies, barres de guidage, dents et / ou lames de cultivateur.
5. L'utilisation d'un produit qui n'est pas compatible avec l'utilisation prévue d'un tel produit comme décrit dans les instructions d'utilisation, y compris et sans en exclure d'autres, l'abus, le mauvais usage ou le manque d'attention accordé au produit ou toute utilisation incompatible ou non conforme des instructions comprises dans le manuel de l'opérateur.
6. Tout produit qui a été altéré ou modifié d'une manière non conforme à la conception d'origine du produit ou d'une manière non approuvée par Remington LLC.
7. Les jantes (lorsqu'elles sont installées) sont couvertes pendant une période de trois (3) mois à compter de la date d'achat initiale par l'acheteur initial contre les défauts de fabrication.
8. La batterie fournie avec ce produit est garantie être exempte de défauts de matériaux et de fabrication pendant une période de **trois (3) ans** à compter de la date d'achat initiale par l'Acheteur initial.
9. Le chargeur de batterie fourni avec ce produit est garanti être exempt de défauts de matériaux et de fabrication pendant une période de **trois (3) ans** à compter de la date d'achat initiale par l'Acheteur initial.

**Cette garantie ne couvre pas et Remington LLC déclare toute responsabilité en ce qui concerne les questions, y compris, mais pas limité, les éléments suivants :**

1. La perte de temps ou perte d'utilisation du produit.
2. Les frais de transport et autres frais liés au transport du produit en provenance et à destination du fournisseur de service de garantie agréé Remington.
3. La perte ou l'endommagement à d'autres équipements ou objets personnels.
4. Les dommages causés par un mauvais entretien ou l'utilisation de carburant, d'huile ou de lubrifiants autres que ceux approuvés et précisés dans le manuel de l'opérateur.
5. Les dommages résultant de l'installation ou l'usage d'une pièce ou d'un accessoire non approuvé par Remington LLC pour une utilisation avec le produit.

**Limites :**

1. IL N'Y A AUCUNE GARANTIE IMPLICITE Y COMPRIS, SANS TOUTEFOIS S'Y LIMITER, TOUTE GARANTIE IMPLICITE DE QUALITÉ MARCHANDE OU DE CONVENANCE PRÉCISE POUR UN OBJECTIF PARTICULIER. IL N'Y A AUCUNE GARANTIE IMPLICITE Y COMPRIS, SANS TOUTEFOIS S'Y LIMITER, TOUTE GARANTIE IMPLICITE DE QUALITÉ MARCHANDE OU DE CONVENANCE PRÉCISE POUR UN OBJECTIF PARTICULIER. AUCUNE GARANTIE NE S'APPLIQUE APRÈS LES DÉLAIS DE LA GARANTIE APPLICABLE ÉCRITE CI-DESSUS QUANT AUX PIÈCES IDENTIFIÉES. AUCUNE AUTRE GARANTIE EXPRESSE, ÉCRITE OU VERBALE, À L'EXCEPTION DE LA GARANTIE STIPULÉE CI-DESSUS, OFFERTE PAR UN TIERS OU UN AUTRE ORGANISME NOTAMMENT UN CONCESSIONNAIRE OU UN DÉTAILLANT, CONCERNANT N'IMPORTE QUEL PRODUIT, NE SAURAIT REMINGTON LLC. AU COURS DE LA PÉRIODE DE GARANTIE, LE RECOURS UNIQUE OFFERT EST LA RÉPARATION OU LE REMPLACEMENT DU PRODUIT COMME IL EST STIPULÉ CI-DESSUS. (CERTAINS ÉTATS ET CERTAINES PROVINCES NE PERMETTENT PAS LES LIMITATIONS SUR LA DURÉE D'UNE GARANTIE IMPLICITE, DE SORTE QUE LA LIMITATION CI-DESSUS PEUT NE PAS S'APPLIQUER À VOUS.)
2. LES CONDITIONS STIPULÉES DANS LA PRÉSENTE GARANTIE CONSTITUENT LE RECOURS UNIQUE ET EXCLUSIF DÉCOULANT DE LA VENTE DE SES PRODUITS. REMINGTON LLC NE PEUT ÊTRE TENUE RESPONSABLE POUR TOUTE PERTE OU TOUT DOMMAGE ACCIDENTEL OU INDIRECT Y COMPRIS, SANS TOUTEFOIS S'Y LIMITER, AUX DÉPENSES AFFÉRENTES AUX SERVICES DE TRANSPORT OU AUX FRAIS CONNEXES, DE LOCATION POUR REMPLACER TEMPORAIREMENT UN PRODUIT GARANTI. (CERTAINS ÉTATS ET CERTAINES PROVINCES N'AUTORISENT PAS L'EXCLUSION OU LA LIMITATION DES DOMMAGES ACCIDENTELS OU INDIRECTS. IL SE POURRAIT ALORS QUE LES EXCLUSIONS OU LIMITATIONS STIPULÉES NE S'APPLIQUENT PAS DANS VOTRE CAS.)
3. En aucune éventualité, la valeur du recouvrement ne saurait être supérieure à celle du prix d'achat du produit vendu. En aucune éventualité, la valeur du recouvrement ne saurait être supérieure à celle du prix d'achat du produit vendu. Vous assumez les risques et la responsabilité des pertes, des dommages ou des préjudices subis par vous ou vos biens votre propriété ou par d'autres personnes et de leurs biens, qui découlent d'une utilisation inappropriée ou d'une incapacité d'utiliser le produit.

**Lois provinciales et étatiques en lien avec la présente garantie.**

La présente garantie limitée vous donne des droits spécifiques. Il se pourrait que vous ayez d'autres droits qui varient d'un état à l'autre.

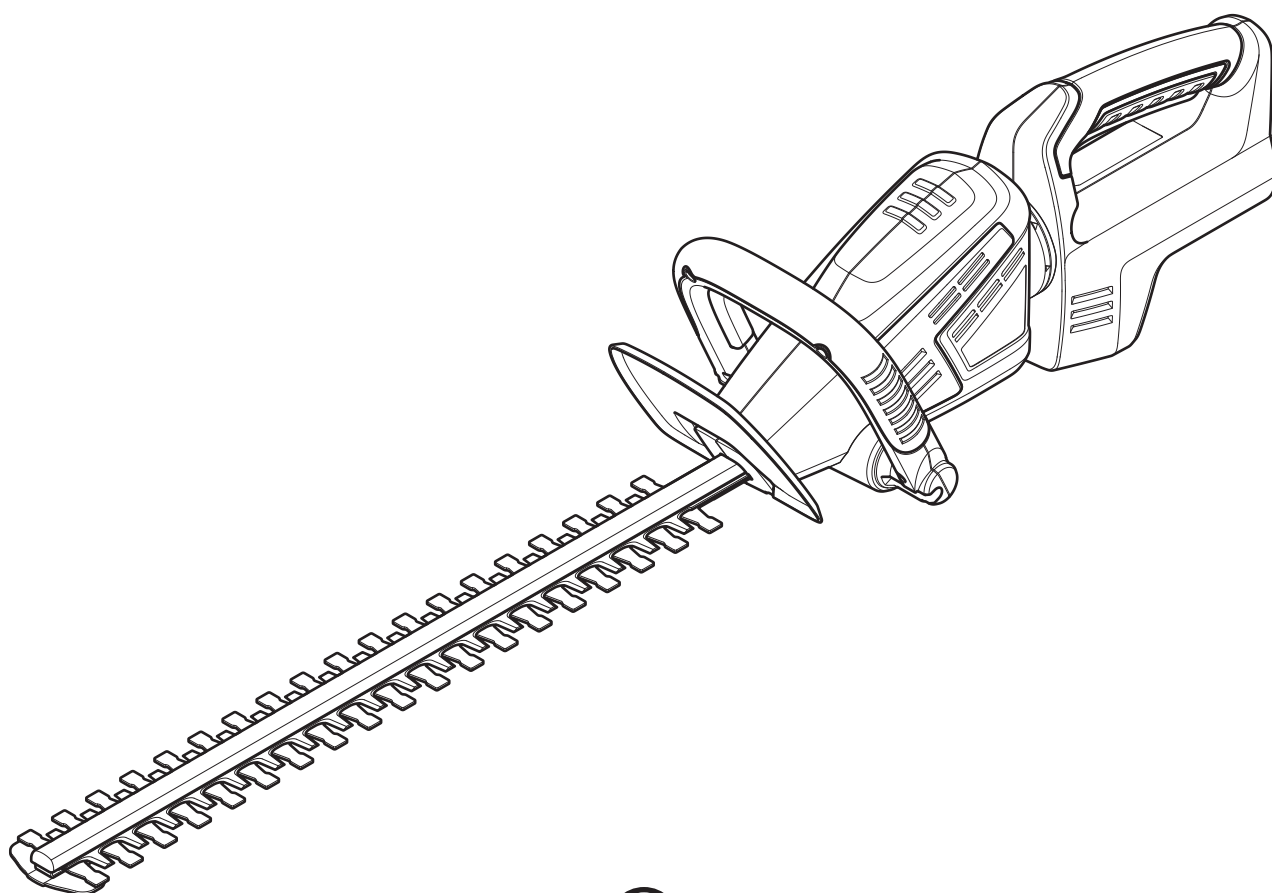
# **REMINGTON®**

## **Manual del Operador**

TRADUCCIÓN DE LAS INSTRUCCIONES ORIGINALES

### **RM4020 / RM4020B**

Recortadora de setos inalámbrica



### **CONSERVE ESTAS INSTRUCCIONES**

**IMPORTANTE:** Lea este manual por completo antes de utilizar este producto. Siga todas las instrucciones.

## ÍNDICE

Reparación y mantenimiento .....	38
Seguridad .....	38
Conozca su unidad .....	45
Especificaciones .....	46
Montaje .....	46
Arranque y parada .....	48
Funcionamiento .....	48
Mantenimiento .....	50
Limpieza y almacenamiento .....	51
Solución de Problemas .....	52
Garantía .....	53

**NOTA:** Este manual del operador cubre múltiples modelos. Las características pueden variar según los modelos. No todas las características de este manual son aplicables a todos los modelos. El modelo descrito puede diferir del suyo.

Toda la información, las ilustraciones y las especificaciones contenidas en este manual se basan en la información más reciente disponible en el momento de impresión del manual. Nos reservamos el derecho de hacer cambios en cualquier momento sin aviso previo. El producto puede variar ligeramente de las ilustraciones contenidas en este manual.

Copyright © 2017 MTD SOUTHWEST INC. Todos los derechos reservados.

## SERVICIO

### NO DEVUELVA ESTA UNIDAD AL VENDEDOR. PARA SOLICITAR SERVICIO POR GARANTÍA, DEBERÁ PRESENTAR EL COMPROBANTE DE COMPRA.


Para obtener ayuda en relación con el montaje, el funcionamiento o el mantenimiento de la unidad, llame al **1-866-206-2707** (en los Estados Unidos) o al **1-877-696-5533** (en Canadá). Se puede encontrar información adicional en [www.remingtonpowertools.com](http://www.remingtonpowertools.com).


El servicio de la garantía está disponible a través de su distribuidor local de servicio autorizado. Para ubicar un Centro de servicio de reparaciones en su zona, visite nuestro sitio web o llame al número que aparece arriba. La reparación y el mantenimiento de la presente unidad, tanto dentro del período de la garantía como después de él, sólo deben realizarlos un centro de servicio autorizado. Cuando vaya a dar mantenimiento al equipo, utilice solo piezas de repuesto idénticas.


## SEGURIDAD

El objetivo de los símbolos de seguridad es dirigir su atención hacia posibles peligros. Los símbolos de seguridad, así como sus explicaciones, necesitan su atención y comprensión completas. Las advertencias de seguridad no eliminan por sí mismas ningún peligro. Las instrucciones o advertencias que contienen no reemplazan a las medidas adecuadas de prevención de accidentes.

### SÍMBOLOS SIGNIFICADO

 **PELIGRO:** Indica un peligro EXTREMO. Si no se respeta un símbolo de seguridad de **PELIGRO** usted mismo u otras personas sufrirán lesiones graves o la muerte.

 **ADVERTENCIA:** Indica un peligro GRAVE. Si no se respeta un símbolo de **ADVERTENCIA** de seguridad usted mismo u otras personas **PUEDEN** sufrir lesiones graves.

 **PRECAUCIÓN:** Indica un peligro de GRAVEDAD MODERADA. Si no se respeta un símbolo de seguridad de **PRECAUCIÓN** usted mismo u otras personas **PUEDEN** sufrir lesiones o se **PUEDEN** producir daños materiales.



### PROPOSICIÓN 65 DEL ESTADO DE CALIFORNIA

**ADVERTENCIA:** Este producto contiene una sustancia química que según el Estado de California puede producir cáncer, defectos de nacimiento u otros problemas reproductivos.

Lea el manual del operador y siga todas las advertencias e instrucciones de seguridad. Si no lo hace, el operador y/o los observadores pueden sufrir lesiones graves.

**NOTA:** Proporciona información o instrucciones de vital importancia para el funcionamiento o el mantenimiento del equipo.

# • INSTRUCCIONES DE SEGURIDAD IMPORTANTES •

## ADVERTENCIAS GENERALES SOBRE LA SEGURIDAD DE LAS HERRAMIENTAS ELÉCTRICAS



Guarde todas las advertencias e instrucciones para futuras consultas.

El término “herramienta eléctrica” que se incluye en las advertencias se refiere a su herramienta eléctrica alimentada por la red principal (con cable) o la herramienta a batería (sin cable).

### 1) Seguridad en el lugar de trabajo

- Mantenga el lugar de trabajo limpio y bien iluminado.** Si el lugar está desordenado u oscuro aumentan las probabilidades de que se produzcan accidentes.
- No utilice las herramientas eléctricas en atmósferas explosivas, por ejemplo, en presencia de líquidos, gases o polvo inflamables.** Las herramientas eléctricas generan chispas que pueden encender el polvo o los gases.
- Mantenga alejados a los niños y a los observadores mientras use una herramienta eléctrica.** Las distracciones pueden hacer que pierda el control.

### 2) Seguridad eléctrica

- Los enchufes de las herramientas eléctricas deben coincidir con el tomacorriente. No modifique nunca el enchufe de ninguna manera. No use enchufes adaptadores con herramientas eléctricas conectadas a tierra (puestas a tierra).** Si no se modifican los enchufes y los tomacorrientes coinciden, se reduce el riesgo de que se produzcan descargas eléctricas.
- Evite el contacto del cuerpo con superficies conectadas o puestas a tierra, tales como tuberías, radiadores, estufas y refrigeradores.** Existe un mayor riesgo de que se produzca una descarga eléctrica si el cuerpo del operador se conecta o se pone a tierra.
- No exponga las herramientas eléctricas a la lluvia o a condiciones de humedad.** Si entra agua en una herramienta eléctrica, aumenta el riesgo de que se produzcan descargas eléctricas.
- Trate con cuidado el cable. Nunca use el cable para transportar la herramienta eléctrica, tirar de ella hacia usted o desenchufarla. Mantenga el cable alejado de fuentes de calor, aceite, bordes filosos y piezas móviles.** Si los cables se dañan o enganchan, aumenta el riesgo de que se produzcan descargas eléctricas.
- Cuando utilice una herramienta eléctrica al aire libre, use un prolongador apropiado para usarse al aire libre.** Si se utiliza un cable apropiado para usarse al aire libre, se reduce el riesgo de que se produzcan descargas eléctricas.
- Si es inevitable manipular una herramienta eléctrica en un lugar húmedo, utilice un suministro protegido por interruptor de circuito accionado por corriente de pérdida a tierra (GFCI).** La utilización de un GFCI reduce el riesgo de descarga eléctrica.

### 3) Seguridad personal

- Manténgase alerta, preste atención a lo que está haciendo y use su sentido común cuando opere la herramienta eléctrica. No utilice una herramienta eléctrica si está cansado o bajo la influencia de drogas, alcohol o medicamentos.** Con tan sólo un momento de distracción durante el uso de herramientas eléctricas, se pueden producir graves lesiones.
- Utilice equipos de protección personal. Utilice siempre protección ocular.** Si se utilizan equipos de seguridad tales como la máscara antipolvo, calzado de seguridad antideslizante, casco duro o protección auditiva para las condiciones apropiadas, se reducirá las lesiones.
- Evite arranques accidentales. Asegúrese de que el interruptor de la herramienta esté en la posición de apagado antes de conectarla a la fuente de alimentación de corriente y/o la batería, de sujetarla o de transportarla.** Transportar herramientas eléctricas con el dedo en el interruptor o activar herramientas eléctricas que tengan el interruptor en la posición de encendido (“ON”) aumenta las probabilidades de que se produzcan accidentes.
- Quite cualquier llave de ajuste o de tuerca que haya, antes de encender la herramienta eléctrica.** Si se deja una llave de tuerca o de ajuste junto a una pieza giratoria de la herramienta eléctrica, podría provocar lesiones.
- No adopte posturas forzadas para llegar a lugares difíciles de alcanzar. Siempre se debe mantener bien afirmado y nunca debe perder el equilibrio.** Esto permite controlar mejor la herramienta eléctrica en situaciones imprevistas.
- Utilice vestimenta apropiada. No utilice ropa suelta ni alhajas. Mantenga el cabello, la ropa y los guantes alejados de las piezas móviles.** Las ropas sueltas, las joyas o el cabello largo pueden enredarse en las piezas móviles.
- Si se proveen dispositivos para la conexión de medios de extracción y recolección de polvo, asegúrese de que estén conectados y se utilicen como corresponde.** El uso de medios de recolección de polvo puede reducir los peligros relacionados con el polvo.

### 4) Uso y cuidado de las herramientas eléctricas

- No fuerce la herramienta eléctrica. Use la herramienta eléctrica correcta para lo que desea realizar.** Si se utiliza la herramienta eléctrica correcta, se trabajará mejor y con más seguridad a la velocidad para la cual fue diseñada.
- No use la herramienta eléctrica si no se la puede encender y apagar con el interruptor.** Cualquier herramienta eléctrica que no se pueda controlar con el interruptor es peligrosa y se la debe reparar.
- Desconecte la herramienta eléctrica del enchufe de la fuente de energía y/o la batería antes de hacer cualquier tipo ajuste, cambiar accesorios o almacenarla.** Dichas medidas preventivas de seguridad reducen el riesgo de arrancar la herramienta eléctrica por accidente.
- Guarde fuera del alcance de los niños las herramientas que no se usen, y no permita que la operen personas que no estén familiarizadas con la herramienta eléctrica o con estas instrucciones.** Las herramientas eléctricas son peligrosas en manos de usuarios que no estén capacitados para operarlas.
- Realice el mantenimiento de las herramientas eléctricas.** Compruebe si hay piezas móviles fuera de alineación o atascadas, si hay piezas rotas, y si existe cualquier otra situación que pudiera afectar el funcionamiento de la herramienta eléctrica. Si está dañada, haga que la reparen antes de usarla. Muchos accidentes son provocados por herramientas eléctricas que reciben un mantenimiento deficiente.

- f) **Mantenga afiladas y limpias las herramientas que se usan para cortar.** Si las herramientas que se usan para cortar que poseen bordes cortantes afilados reciben un mantenimiento adecuado es menos probable que se atasquen y son más fáciles de controlar.
- g) **Use la herramienta eléctrica, los accesorios, las brocas de la herramienta, etc., de acuerdo con estas instrucciones, teniendo en cuenta las condiciones de trabajo y el trabajo que se desee realizar.** El uso de la herramienta eléctrica para operaciones distintas a aquéllas para las que fue diseñada podría causar una situación de peligro.

#### 5) Uso y cuidado de la herramienta de baterías

- a) **Recargar solo con el cargador especificado por el fabricante.** Es posible que un cargador que sea adecuado para un tipo de batería pueda crear un riesgo de incendio si se utiliza con otra batería.
- b) **Usar las herramientas eléctricas solo con el juego de baterías específicamente diseñado para ellas.** El uso de cualquier otro juego de baterías puede crear riesgo de lesiones e incendio.
- c) **Cuando el juego de baterías no esté instalado en la unidad, manténgalo alejado de objetos metálicos como presillas para papel, monedas, llaves, clavos, tornillos u otros objetos pequeños de metal que pudieran hacer conexión entre los terminales.** Un cortocircuito entre los terminales de la batería puede ocasionar quemaduras o un incendio.
- d) **En condiciones de uso excesivo, puede salir líquido de la batería; evite el contacto. Si ocurre contacto accidental, enjuáguese con agua. Si el líquido entrara en los ojos, busque asistencia médica adicional.** El líquido que sale de la batería puede causar irritación o quemaduras.

#### 6) Servicio

- a) **La herramienta eléctrica debe recibir servicio de un técnico de reparaciones calificado, utilizando únicamente piezas de reemplazo idénticas.** De esta manera, se mantiene la seguridad de la herramienta eléctrica.

#### Advertencias de seguridad de la Recortadora de setos

	<b>PELIGRO:</b> MANTENGA LAS MANOS ALEJADAS DE LA CUCHILLA. El contacto con la cuchilla puede causar lesiones personales serias.
--	--

- **Utilice ambas manos mientras opera la Recortadora de setos. Si utiliza una mano, podría perder el control y sufrir lesiones personales graves.**
- **Mantenga todas las partes del cuerpo alejadas de la cuchilla de corte. No extraiga el material cortado ni sujete el material que se desea cortar, cuando las cuchillas estén en movimiento. Compruebe que el interruptor esté apagado cuando extraiga el material atascado. Las cuchillas se deslizan después de apagadas.** Un momento de distracción mientras utiliza la recortadora de setos puede resultar en lesiones personales graves.
- **Para transportar la Recortadora de setos, sujétela de la manija con la cuchilla de corte detenida. Al transportar o almacenar la Recortadora de setos, coloque siempre la cubierta del dispositivo de corte.** La manipulación adecuada de la recortadora de setos reducirá la posibilidad de que se produzcan lesiones personales por las cuchillas de corte.

- **Sostenga la herramienta eléctrica solamente de las superficies de agarre aisladas porque la cuchilla de corte puede hacer contacto con cables ocultos o con su propio cable.** Las cuchillas de corte que hacen contacto con un hilo "cargado" pueden hacer que las partes metálicas expuestas de la herramienta eléctrica se "carguen" y podría darle una descarga eléctrica al operador.

	<b>ADVERTENCIA:</b> Lea todas las advertencias de seguridad y todas las instrucciones. Si no se siguen las advertencias y las instrucciones se pueden producir descargas eléctricas, un incendio y/o lesiones graves.
--	---

#### LEA TODAS LAS INSTRUCCIONES ANTES DE USAR LA UNIDAD

1. **GUARDE ESTAS INSTRUCCIONES** - Este manual contiene instrucciones importantes de seguridad y funcionamiento.
2. Antes de usar este producto, lea todas las instrucciones y las marcas de precaución que figuran en la batería, el cargador de baterías y las unidades que se accionan con la batería.
3. No agarre el cargador, incluido el enchufe del cargador y las terminales del cargador, con las manos húmedas.
4. No cargue la unidad en el exterior.

	<b>ADVERTENCIA:</b> Utilice únicamente baterías RM4130, RM4140 o RM4150 con esta unidad. <b>NO</b> utilice ningún otro tipo de batería, accesorio o aditamento con esta unidad. Otros tipos de baterías, accesorios o implementos podrían producir lesiones graves, daños a los bienes o daños a la unidad.
--	---

	<b>ADVERTENCIA:</b> Cargue únicamente baterías RM4130, RM4140 o RM4150 con un cargador de baterías RM4110. <b>NO</b> intente utilizar ningún otro cargador de baterías para cargar las baterías RM4130, RM4140 o RM4150. Otros tipos de cargadores de baterías pueden hacer que las baterías exploten ocasionando un incendio, lesiones personales o daños materiales.
--	--

	<b>ADVERTENCIA:</b> Utilice únicamente un cargador de baterías RM4110 para cargar las baterías RM4130, RM4140 o RM4150. <b>NO</b> intente cargar ninguna otra batería con un cargador de baterías RM4110. Otros tipos de baterías pueden explotar y causar un incendio, lesiones personales o daños materiales.
--	---



## ADVERTENCIAS GENERALES DE SEGURIDAD

- Lea las instrucciones con atención. Debe familiarizarse con los controles y con el uso apropiado de la unidad. Sepa cómo detener la unidad y desconectar los controles rápidamente.
- Manténgase alerta. No opere esta unidad si está cansado, enfermo o bajo la influencia de alcohol, drogas o medicamentos.
- Nunca permita a los niños operar la unidad. Los adolescentes deben ser entrenados, acompañados y supervisados por un adulto. Nunca permita a los adultos operar la unidad sin las instrucciones adecuadas.
- Se deben instalar correctamente todos los protectores y accesorios de seguridad antes de operar la unidad.
- Inspeccione la unidad antes de usarla. Verifique si hay piezas dañadas. Compruebe que todas las piezas funcionen correctamente. Compruebe que todas las sujeciones estén en su lugar y bien ajustadas. Compruebe que todas las piezas móviles queden adecuadamente alineadas y no se atasquen. Reemplace las piezas que estén agrietadas, astilladas o dañadas de cualquier manera. Haga reparar o reemplazar por un centro de servicio técnico autorizado todas las piezas que estén dañadas o que no funcionen adecuadamente. No utilice la unidad si hay piezas sueltas o dañadas.
- Tenga en cuenta el riesgo de lesiones en la cabeza, las manos y los pies.
- Inspeccione el área con atención antes de arrancar la unidad. Extraiga las rocas, los vidrios rotos, los clavos, los cables, cordeles y demás objetos que podrían ser arrojados o enredarse en la unidad.
- Despeje la zona de niños, observadores y mascotas; manténgalos fuera de un radio de 50 pies (15 m), como mínimo. Incluso a esa distancia, sigue el riesgo de ser alcanzados por los objetos arrojados por el aire. Sugiera a los observadores que usen protección ocular. Si alguien se le aproxima, detenga la unidad de inmediato.
- Esta unidad está diseñada para uso ocasional, para el hogar únicamente.
- No permita que la unidad se use como un juguete.

## ADVERTENCIAS DE SEGURIDAD PARA LAS UNIDADES ELÉCTRICAS

### Seguridad eléctrica en general

- No exponga la unidad a la lluvia o a condiciones húmedas. Guárdela en un lugar cerrado.
- No utilice la unidad con las manos mojadas.
- Evite los ambientes peligrosos. No utilice la unidad bajo la lluvia, en condiciones húmedas ni en superficies mojadas. La humedad representa un peligro de descarga eléctrica.
- Para reducir el riesgo de descarga eléctrica, evite el contacto del cuerpo con elementos conductores con puesta a tierra, por ejemplo, caños metálicos o cercos de alambre.
- No utilice la unidad en atmósferas explosivas, por ejemplo, en presencia de líquidos, gases o polvo inflamables.

### Seguridad del cargador de baterías

- Siga todas las instrucciones de carga. No cargue la batería fuera del rango de temperaturas indicado en estas instrucciones. Si carga la batería incorrectamente o la carga fuera del rango de temperaturas indicado se podría dañar y aumentar el riesgo de incendio.
- La unidad lleva una placa de identificación que indica el voltaje utilizado. Nunca conecte la unidad con un voltaje de CA que difiera de este voltaje.

- No se debe utilizar un cable prolongador a menos que sea absolutamente necesario. El uso de un cable prolongador inadecuado puede generar riesgo de incendio, descarga eléctrica o electrocución.
- No utilice cables prolongadores múltiples.
- Asegúrese de que el cable prolongador sea suficientemente pesado como para transportar la corriente que toma la unidad. Si el cable prolongador es de calibre inferior al requerido se producirá una caída del voltaje de línea y esto dará lugar a la pérdida de potencia y el sobrecalentamiento. Si está en duda, utilice cable del calibre más grueso siguiente. A menor número de calibre, mayor grosor de cable.

### TAMAÑO MÍNIMO DEL CABLE PARA PROLONGADORES DE ARTEFACTOS DE 120 VOLTIOS QUE USAN 0-6 AMPERIOS

Longitud del cable (pies)	25	50	100	150
Calibre (AWG)	16	16	16	14

- Asegúrese de que los cables estén en buenas condiciones. Inspeccione el cable de alimentación y el cable prolongador periódicamente. Observe detenidamente para ver si hay deterioro, cortes o grietas en el aislamiento. Si el cable se daña de algún modo cuando está enchufado, desconecte el cable del tomacorriente y de la unidad. No utilice un cable dañado. Los cables dañados se deben reparar o cambiar.
- No use los cables en forma inadecuada. Nunca arrastre ni lleve la unidad tirando del cable. Mantenga los cables lejos de fuentes de calor, aceite, agua, bordes filosos y objetos en movimiento. Para desconectar un cable agarre siempre el enchufe.
- No modifique nunca un enchufe, un cable ni un tomacorriente de ninguna manera.
- En el(los) circuito(s) a ser usados con esta unidad siempre se debe suministrar protección con un interruptor de detección de falla a tierra (GFCI). Para proporcionar una medida adicional de seguridad, utilice receptáculos con protección GFCI incorporada.
- No coloque el cargador de baterías en lugares donde se lo pueda pisar, donde alguien pueda tropezar o que se pueda dañar.
- No cargue las baterías bajo la lluvia ni en condiciones mojadas. Guarde el cargador de baterías en un área fresca y seca.
- Guarde el cargador de baterías lejos de cualquier líquido.
- No permita que se introduzcan objetos metálicos pequeños ni materiales, por ejemplo, lana de acero, lámina de aluminio ni otras partículas extrañas en el puerto del cargador.
- No pruebe el cargador con material conductor. Existe el riesgo de descarga eléctrica.
- No cubra el cargador de baterías. El cargador de baterías se puede sobrecalentar.
- No permita que la batería o el cargador de baterías se sobrecalienten. Si se calientan, deje que los mismos se enfríen. Cargue las baterías únicamente en temperaturas que se encuentren entre 32° y 104°F (0° y 40°C).
- Siempre desconecte el cargador de baterías antes de limpiarlo. Desenchufe siempre el cargador de baterías cuando no esté en uso.

### Seguridad de las baterías

- No exponga la batería al fuego ni a temperaturas superiores a 176° F (80° C). Si lo hiciera, se podría producir una explosión.
- Manipule las baterías con cuidado. No cortocircuite la batería con materiales conductores, por ejemplo, anillos, pulseras, llaves, etc. Si se cortocircuita la batería se pueden producir lesiones personales, daños a la batería o un incendio.
- Cuando la batería no se utiliza, mantenga la misma lejos de objetos metálicos pequeños, por ejemplo, ganchos de papel, monedas, clavos, etc. Estos elementos pueden conectar un borne con otro y cortocircuitar la batería.





- No intente cargar una batería que esté rota o dañada.
- No utilice baterías que estén dañadas o hayan sido modificadas. Si lo hiciera, se podría producir un incendio, una explosión o lesiones personales.

	<p><b>ADVERTENCIA:</b> La batería puede generar riesgo de incendio o quemadura química si no se manipula la misma adecuadamente. No desarme, sobrecaliente ni incinere la batería. La batería puede generar una pequeña fuga en condiciones extremas de uso o temperatura.</p> <p><b>Si el fluido de la batería entra en contacto con la piel:</b></p> <ul style="list-style-type: none"> <li>- Lave inmediatamente el área con jabón y agua.</li> <li>- Neutralice el fluido de la batería con un ácido suave (jugo de limón, vinagre, etc.).</li> <li>- Consulte con un médico de inmediato.</li> </ul> <p><b>Si el fluido de la batería entra en contacto con los ojos:</b></p> <ul style="list-style-type: none"> <li>- Enjuague inmediatamente los ojos con agua limpia durante 15 minutos por lo menos.</li> <li>- Consulte con un médico de inmediato.</li> </ul>
--	--

## ELIMINACIÓN DE LAS BATERÍAS DAÑADAS O AGOTADAS

	<p><b>ADVERTENCIA:</b> En la batería de esta unidad se utiliza el siguiente material tóxico y corrosivo: ION DE LITIO, un material tóxico.</p>
--	--

	<p><b>ADVERTENCIA:</b> Para evitar la contaminación ambiental, póngase en contacto con su agencia local de eliminación de residuos para solicitar instrucciones antes de eliminar baterías de ion de litio dañadas o agotadas. Lleve las baterías a un centro local de reciclaje y/o eliminación que cuente con certificación para la eliminación de baterías de ion de litio.</p>
--	--

	<p><b>ADVERTENCIA:</b> No use baterías rotas o con grietas, aun cuando no tengan pérdidas. Cambie las baterías dañadas o agotadas por baterías nuevas. ¡NO INTENTE REPARAR LAS BATERÍAS! Los intentos de reparación pueden producir lesiones personales graves debido a explosión o descarga eléctrica.</p>
--	---

Para evitar lesiones personales y daños ambientales:

- No intente retirar ni destruir ningún componente de la batería. No abra ni mute la batería. Si se produce una pérdida, los electrolitos emitidos son corrosivos y tóxicos. No deje que la solución entre en contacto con sus ojos o su piel y no trague solución.
- No arroje la batería junto con la basura domiciliar normal.
- No arroje la batería al fuego. El elemento de la batería puede explotar.
- No elimine la batería en un lugar donde pase a ser parte de algún relleno sanitario o de los desechos sólidos municipales.
- Cubra los bornes de la batería con cinta adhesiva reforzada.
- Deseche la batería de acuerdo con las regulaciones federales, estatales y locales.
- Elimine la batería sin demora.



## Acerca de los sellos de batería Call2Recycle

El programa de auxiliares de la industria Call2Recycle ayuda a los fabricantes de baterías y productos a cumplir los requisitos de reciclaje en los Estados Unidos y Canadá, incluido el cumplimiento de amplias regulaciones estatales, provinciales y federales, por ejemplo, la Ley de Baterías Recargables y con Contenido de

Mercurio (la Ley de las Baterías). Los licenciarios/auxiliares de la industria y los fabricantes y comerciantes de productos y baterías que participan en el programa Call2Recycle® adquieren los derechos de imprimir los sellos de batería Call2Recycle en sus baterías y productos recargables. Cuando usted ve el sello de batería Call2Recycle, puede estar seguro de que su batería o su producto se pueden reciclar en forma segura y responsable.

## Acerca de Call2Recycle

Desde 1994 Call2Recycle ha desviado más de 75 millones de libras de baterías recargables de los rellenos sanitarios locales y ha establecido una red de 30.000 lugares donde dejar unidades para reciclaje. Más de 200 fabricantes de productos y/o baterías, auxiliares de la industria Call2Recycle, se han reunido para asegurarse de que se realice el reciclaje responsable de las baterías cuando llegan al fin de su vida útil y solventan el programa que funciona a través de Call2Recycle, Inc., una organización de servicios públicos sin fines de lucro 501(c)4.

Para ubicar el centro de reciclaje más cercano, por favor, comuníquese al **1-800-822-8837**.

## DECLARACIÓN DE LA FCC (COMISIÓN FEDERAL DE COMUNICACIONES DE LOS EE.UU.)

	<p><b>PRECAUCIÓN:</b> Si se realizan cambios o modificaciones que no estén específicamente aprobadas por el responsable de cumplimiento se podría anular la autoridad del usuario para utilizar el equipo.</p>
---	--

**NOTA:** Este equipo se ha probado y se ha determinado que cumple con los límites para dispositivos digitales Clase B de acuerdo con la parte 15 de las Reglas de la FCC. Estos límites tienen por finalidad suministrar protección razonable contra la interferencia perjudicial en una instalación residencial. Este equipo genera, utiliza y puede irradiar energía de radiofrecuencia y si no se lo instala y utiliza de acuerdo con las instrucciones puede causar interferencia perjudicial en las comunicaciones de radio. Sin embargo, no hay garantía de que no se produzca interferencia en alguna instalación en particular. Si este equipo en efecto causa interferencia perjudicial para la recepción de radio o televisión, lo cual se puede determinar apagando y encendiendo el equipo, se recomienda que el usuario trate de corregir la interferencia a través de una o más de las siguientes medidas:

- Reoriente o reubique la antena de recepción.
- Aumente la separación entre el equipo y el receptor.
- Conecte el equipo a un tomacorriente o circuito diferente a aquél al cual está conectado el receptor.
- Consulte con el distribuidor o con un técnico de radio/TV experimentado para solicitar ayuda.

## DURANTE LA OPERACIÓN



**ADVERTENCIA:** Para reducir el riesgo de sufrir descargas eléctricas, no exponga la unidad a la lluvia o condiciones húmedas. Guárdela en un lugar cerrado.

- Utilice anteojos o antiparras de seguridad que cumplan con las normas ANSI / ISEA Z87.1 vigentes y que tengan la identificación correspondiente. Utilice una protección auditiva al operar esta unidad. Utilice una máscara facial o para polvos si la máquina levanta polvo durante su funcionamiento.
- Use pantalones largos y gruesos, botas, guantes y camisa de mangas largas. No use ropa holgada, alhajas, pantalones cortos, sandalias ni ande descalzo. Sujétese el cabello a nivel de los hombros.
- Use la unidad solamente con luz de día o con una buena luz artificial.
- Utilice la herramienta apropiada. Use esta herramienta sólo para el propósito para el que fue diseñada.
- Sostenga siempre firmemente la unidad con ambas manos durante la operación.
- No se extienda demasiado. Siempre debe estar bien afirmado y mantener el equilibrio adecuado. Tenga cuidado al trabajar sobre escalinatas, cuevas empinadas o pendientes. Para evitar lesiones graves, no haga funcionar la unidad desde una escalera de mano o un techo.
- Mantenga el cabello, la cara, las manos, los pies y todas las demás partes del cuerpo alejados de las piezas móviles y de las aberturas. No toque ni intente detener las piezas móviles.
- No opere la unidad a una velocidad mayor a la necesaria para la tarea. No haga funcionar la unidad a alta velocidad cuando no está en uso.
- No exija demasiado a la unidad. Si se usa a la velocidad para la que fue diseñada, realizará un trabajo más eficiente y seguro.
- Siempre apague la unidad cuando esté demorada la operación o cuando esté transportando la unidad de un lugar a otro.
- Antes de parar la unidad, siempre apáguela primero y espere hasta que todas las piezas móviles se hayan detenido por completo.
- Se debe evitar arrancar involuntariamente la unidad. Verifique que el bloqueo del disparador esté en la posición trabada antes de instalar o retirar la batería. Nunca transporte la unidad con los dedos en el gatillo.
- Extraiga la batería de la unidad cuando no la use.
- No utilice la unidad si el gatillo y la traba del gatillo no permiten el arranque y detienen la unidad.
- Si la unidad golpea un objeto extraño o éste se engancha en la unidad, detenga el motor de inmediato, retire la batería y verifique si se produjeron daños. Si hay daño, no vuelva a arrancar o hacer funcionar la unidad hasta hacerlo arreglar. No utilice la unidad si hay piezas sueltas o dañadas.
- Use sólo piezas de reemplazo y accesorios del fabricante del equipo original (OEM) para esta unidad. Los puede adquirir al distribuidor de servicio autorizado. Si usa cualquier otra pieza o accesorio, el usuario podría lesionarse gravemente o la unidad podría dañarse y se anularía la garantía.
- Mantenga limpia la unidad. Detenga el motor, retire la batería y deje enfriar. Quite con cuidado cualquier resto de vegetación u otros residuos que puedan bloquear las piezas móviles.
- Si la unidad comienza a vibrar en forma anormal, detenga el motor, retire la batería y deje enfriar. Inspeccione la unidad para determinar la causa de la vibración. La vibración por lo general indica que hay algún problema.

## SEGURIDAD DE LA RECORTADORA DE SETOS



**PELIGRO:** Mantenga todas las partes del cuerpo (las manos, los pies, la cara, etc.) alejadas de las cuchillas móviles. El contacto con las cuchillas móviles producirá lesiones personales graves.

- Compruebe que las cuchillas no estén en contacto con nada antes de poner en marcha la unidad.
- Sostenga siempre la unidad con ambas manos al operarla. Si utiliza una sola mano, podría perder el control y sufrir lesiones personales graves.
- **NO** extraiga el material cortado ni sujete el material que se desea cortar, cuando las cuchillas estén en movimiento. Detenga siempre la unidad y extraiga la batería antes de intentar extraer residuos o materiales atascados.
- Espere un momento hasta que se detengan las piezas móviles luego de apagar la unidad. Las cuchillas giran por inercia por un breve momento.
- **NO** corte por arriba de la altura del hombro.
- **NO** utilice la protección delantera como manija.
- Mantenga las cuchillas afiladas y limpias.
- Siga todas las instrucciones de lubricación que se incluyen en este manual.
- Con el uso, las cuchillas se ponen muy afiladas. Siempre use guantes resistentes al manipular, reemplazar o limpiar las cuchillas.

## OTRAS ADVERTENCIAS DE SEGURIDAD

- El mantenimiento de la unidad debe ser minucioso. Siga todas las instrucciones de mantenimiento de este manual.
- No realice ningún procedimiento de mantenimiento que no figure en este manual. No intente reparar la unidad; no tiene piezas internas que puedan ser cambiadas por el usuario. Todas las tareas de reparación, con excepción de los procedimientos de mantenimiento que se describen en este manual, deben ser realizados por un centro de servicio autorizado.
- No utilice la unidad si no funciona correctamente, si se ha caído, dañado, se ha dejado a la intemperie o caído en el agua. Haga efectuar el mantenimiento de la unidad en un centro de servicio autorizado.
- Nunca extraiga, modifique o deje inoperativo ningún dispositivo de seguridad que venga con la unidad.
- Antes de inspeccionar, limpiar, guardar o transportar la unidad, o de hacer tareas de reparación o mantenimiento o reemplazar alguna de sus piezas:
  1. Pare el motor. Consulte *Arranque y Parada*.
  2. Espere hasta que todas las piezas se detengan.
  3. Retire la batería.
  4. Deje que la unidad se enfríe.
- Fije la unidad para el transporte.
- Almacene la unidad en un lugar seco, asegurada o a una altura que evite que se la use sin autorización o se la dañe. Mantenga la unidad lejos del alcance de los niños.
- Nunca rocíe ni arroje chorros de agua ni de ningún otro líquido a la unidad. Evite el ingreso de agua en el motor y las conexiones eléctricas. Mantenga las manijas secas y limpias (sin residuos, aceite ni grasa). Limpie la unidad luego de cada uso. Consulte *Limpieza y almacenamiento*. No utilice solventes o detergentes fuertes.
- Guarde estas instrucciones. Consúltelas con frecuencia y úselas para capacitar a otros usuarios. Si le presta esta unidad a otras personas, también debe prestarles estas instrucciones.

# GUARDE ESTAS INSTRUCCIONES

## • SÍMBOLOS INTERNACIONALES Y DE SEGURIDAD •

Este manual del operador describe símbolos de seguridad e internacionales, así como pictogramas, que pueden aparecer en este producto. Lea el manual del operador para obtener información completa sobre seguridad, montaje, funcionamiento, mantenimiento y reparaciones.

### SÍMBOLOS SIGNIFICADO

	<ul style="list-style-type: none"> <li>• <b>SÍMBOLO DE ALERTA DE SEGURIDAD</b> Indica peligro, advertencia o precaución. Puede utilizarse junto con otros símbolos o pictogramas.</li> </ul>
	<ul style="list-style-type: none"> <li>• <b>LEA EL MANUAL DEL OPERADOR</b> <b>ADVERTENCIA:</b> Lea el (los) manual(es) del operador y cumpla todas las advertencias e instrucciones de seguridad. Si no lo hace, el operador y/o los observadores pueden sufrir lesiones graves.</li> </ul>
	<ul style="list-style-type: none"> <li>• <b>UTILICE PROTECCIÓN OCULAR Y AUDITIVA</b> <b>ADVERTENCIA:</b> Los objetos que son arrojados por el aire y los ruidos fuertes pueden provocar graves lesiones oculares y pérdidas de audición. Cuando opere esta unidad, utilice protección ocular que cumpla con las normas ANSI / ISEA Z87.1 vigentes y protectores auditivos. Utilice una máscara que cubra todo el rostro si es necesario.</li> </ul>
	<ul style="list-style-type: none"> <li>• <b>UTILICE PROTECCIÓN DE PIES</b> Siempre utilice calzado reforzado, antideslizante, cuando haga funcionar esta unidad.</li> </ul>
	<ul style="list-style-type: none"> <li>• <b>UTILICE PROTECCIÓN DE MANOS</b> Siempre utilice guantes reforzados, antideslizantes, cuando manipule esta unidad.</li> </ul>
<b>V</b>	• <b>VOLTIOS</b> - Voltaje
<b>A</b>	• <b>AMPERES</b> - Corriente
<b>Hz</b>	• <b>HERTZ</b> - Frecuencia (ciclos por segundo)
<b>AC</b>	• <b>CORRIENTE ALTERNA</b> - Tipo de corriente
<b>--- o DC</b>	• <b>CORRIENTE DIRECTA</b> - Tipo de corriente
<b>Ah</b>	• <b>AMPERIO-HORA</b> - Medida de capacidad de carga
<b>Wh</b>	• <b>VATIO-HORA</b> - Medida de energía

### SÍMBOLOS SIGNIFICADO

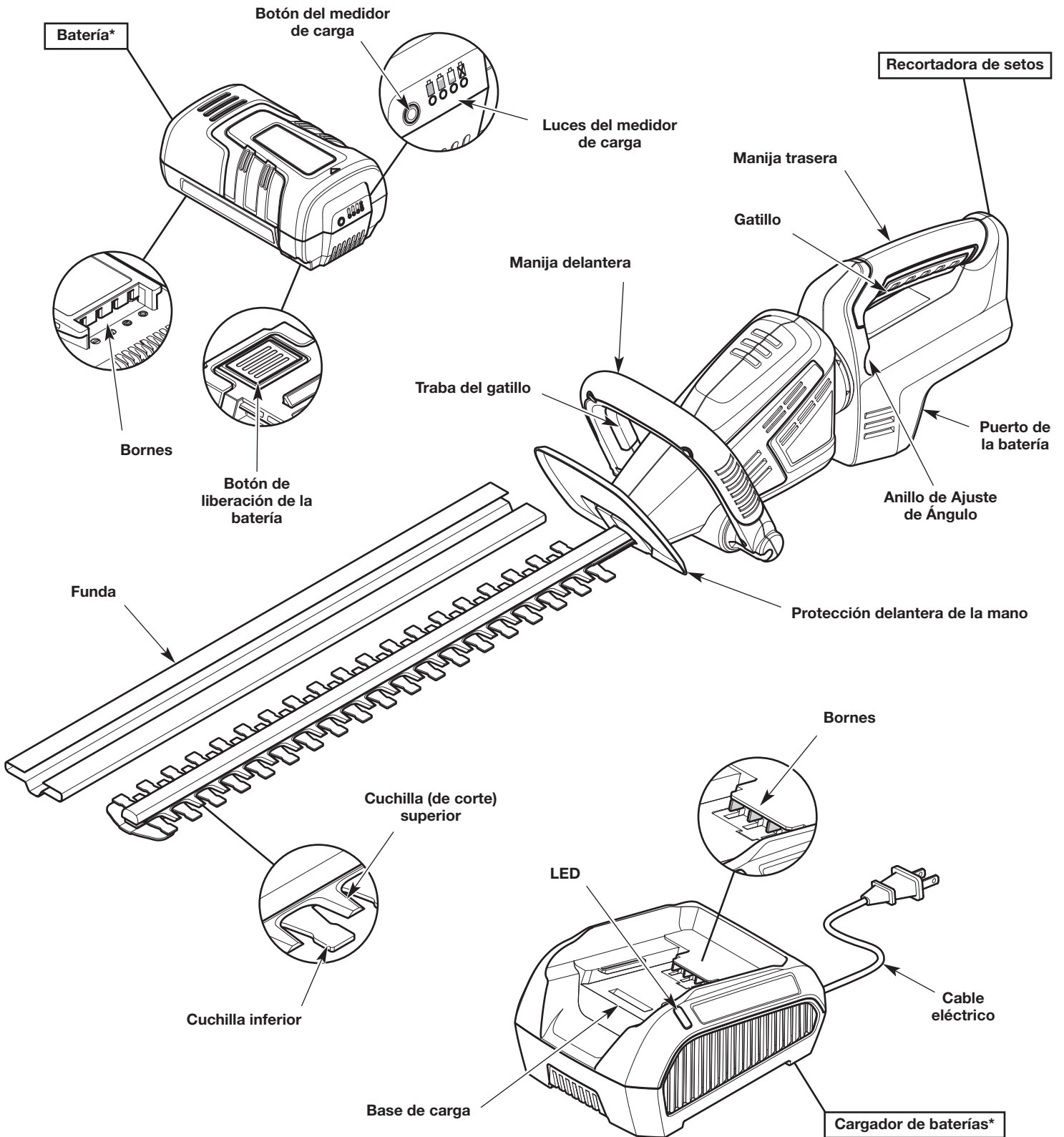
	<ul style="list-style-type: none"> <li>• <b>LOS OBJETOS ARROJADOS PUEDEN PROVOCAR LESIONES GRAVES</b> <b>ADVERTENCIA:</b> Es posible que se arrojen objetos pequeños por el aire a alta velocidad, lo cual puede provocar lesiones.</li> </ul>
	<ul style="list-style-type: none"> <li>• <b>MANTENGA ALEJADOS A LOS OBSERVADORES</b> <b>ADVERTENCIA:</b> Mantenga a todos los observadores, especialmente a los niños y las mascotas, al menos a 50 pies (15 m) de la zona de trabajo.</li> </ul>
	<ul style="list-style-type: none"> <li>• <b>MANTÉNGASE ALEJADO DE LAS CUCHILLAS MÓVILES</b> <b>PELIGRO:</b> Mantenga todas las partes del cuerpo (las manos, los pies, la cara, etc.) alejados de las cuchillas móviles. El contacto con las cuchillas móviles producirá lesiones personales graves.</li> </ul>
	<ul style="list-style-type: none"> <li>• <b>NO USE ESTE EQUIPO BAJO LA LLUVIA</b> <b>ADVERTENCIA:</b> Evite entornos peligrosos. No utilice nunca la unidad bajo la lluvia ni en condiciones mojadas o húmedas. La humedad constituye un peligro de descarga.</li> </ul>
	<ul style="list-style-type: none"> <li>• <b>NO DESECHAR CON LA BASURA DOMICILIARIA</b> Recicle la batería o deséchela de conformidad con las normativas locales, estatales y federales.</li> </ul>

# CONOZCA SU UNIDAD

## APLICACIONES

- Recortar los setos y arbustos

NO SE REQUIEREN HERRAMIENTAS DE ENSAMBLADO



\* La batería y el cargador de la batería no se incluyen con el modelo RM4020B.

## ESPECIFICACIONES

Peso aproximado de la unidad (sin la batería) . . . . .	5 - 6 libras (2.3 - 2.7 kg)
Longitud de la cuchilla . . . . .	22 pulgadas (55.8 cm)
Diámetro máximo de corte . . . . .	0.75 pulgadas (1.9 cm)
Tipo de batería (Modelo RM4130) . . . . .	40 V, Ión-litio de 2.5 Ah
Tipo de batería (Modelo RM4140) . . . . .	40 V, Ión-litio de 4.0 Ah
Tipo de batería (Modelo RM4150) . . . . .	40 V, Ión-litio de 5.0 Ah
Peso aproximado de la batería (Modelo RM4130) . . . . .	1.9 - 2.4 libras (0.9 - 1.1 kg)
Peso aproximado de la batería (Modelo RM4140) . . . . .	2.9 - 3.4 libras (1.3 - 1.5 kg)
Peso aproximado de la batería (Modelo RM4150) . . . . .	3.0 - 3.5 libras (1.4 - 1.6 kg)
Temperatura óptima de carga de la batería . . . . .	32° a 104° F (0° a 40° C)
Temperatura óptima de almacenamiento de la batería . . . . .	64° a 73° F (18° a 23° C)
Temperatura óptima de funcionamiento de la batería . . . . .	32° a 113° F (0° a 45° C)
Voltaje de entrada del cargador de baterías . . . . .	120 V 60 Hz CA Únicamente
Salida del cargador de baterías . . . . .	1.8 A 40 V CC
Tiempo aproximado de carga (Modelo RM4130) . . . . .	105 minutos
Tiempo aproximado de carga (Modelo RM4140) . . . . .	135 minutos
Tiempo aproximado de carga (Modelo RM4150) . . . . .	162 minutos
Peso aproximado del cargador de baterías . . . . .	1.25 - 1.75 libras (0.6 - 0.8 kg)

Todas las especificaciones se basan en la información más reciente sobre el producto disponible al momento de la impresión. Nos reservamos el derecho de realizar cambios en cualquier momento sin previo aviso.

## MONTAJE

### MONTAJE DEL CARGADOR EN LA PARED (OPCIONAL)

El cargador de baterías se puede instalar en una superficie permanente, por ejemplo, una pared o banco de trabajo. Use sujetadores de montaje (no incluidos) con capacidad para sostener el peso combinado de la batería y del cargador de baterías. Los orificios para el montaje de pared están ubicados en la base del cargador (Fig. 1).

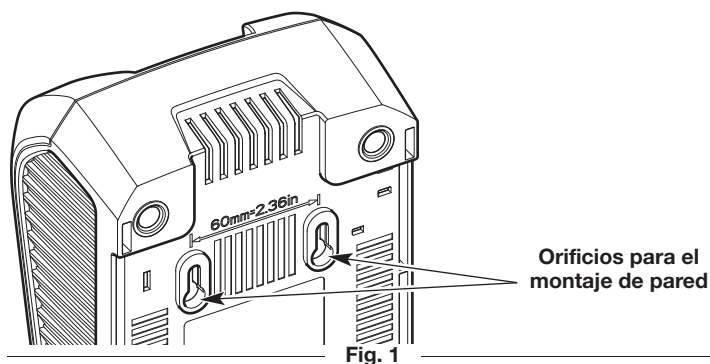


Fig. 1

### CARGA DE LA BATERÍA

**NOTA:** La batería no se embarca con carga completa.

**NOTA:** Las baterías de ion de litio no desarrollan memoria y se pueden cargar en cualquier momento.

Para obtener el máximo tiempo de funcionamiento, cargue la batería completamente antes de cada uso.

1. Enchufe el cargador de baterías en un tomacorriente eléctrico adecuado. El LED debería ponerse rojo (constante) (Fig. 3). Si no lo hace:
  - Compruebe que el cargador de baterías esté completamente enchufado a un tomacorriente adecuado.
  - Compruebe que el tomacorriente funcione bien, para lo cual debe probarlo con otro artefacto eléctrico.
2. Inserte la batería en la base de carga (Fig. 2). Empuje la batería con firmeza hasta que quede trabada en su lugar.

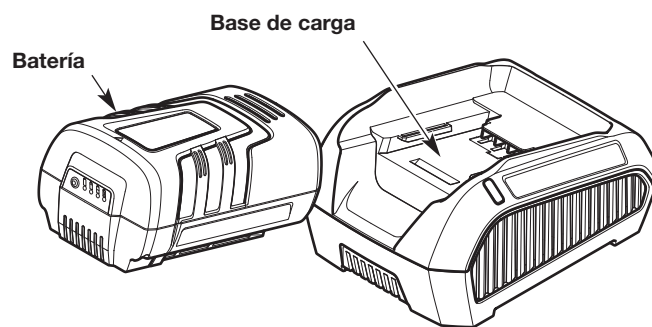


Fig. 2



3. Examine el LED. El LED le indicará el estado de las baterías:
  - **Verde (parpadea):** La batería se está cargando. Cargue la batería hasta que la luz verde deje de parpadear.
  - **Verde (constante):** La batería está completamente cargada.
  - **Rojo (parpadeo - lento):** La batería y/o el cargador están demasiado calientes o demasiado fríos. Asegúrese de que la batería y el cargador estén en un entorno que esté a entre 32° F y 104° F (0° C y 40° C). Deje un tiempo para que la batería y/o el cargador se calienten o se enfrien.
  - **Rojo (parpadeo - rápido):** La batería ya no funciona. Consulte en la sección *Garantía* la información referida al cambio.
  - **Rojo (constante):** La batería no está cargando. Retire la batería. Verifique que los terminales de la batería y del cargador de batería estén limpios. Vuelva a colocar la batería dentro de la base de carga. Empuje la batería con firmeza hasta que quede trabada en su lugar.
4. Para maximizar la vida de la batería, el cargador de batería se apagará una vez completada la carga. Cuando la batería esté completamente cargada, sáquela del cargador de baterías. Opcionalmente, la batería se puede almacenar en el cargador de baterías, pero el cargador de baterías debe ser desenchufado del tomacorriente.
 

Para retirar la batería: Sostenga el cargador de batería con una mano. Presione el botón de liberación de la batería con la otra mano (Fig. 4). Saque la batería de la base de carga.

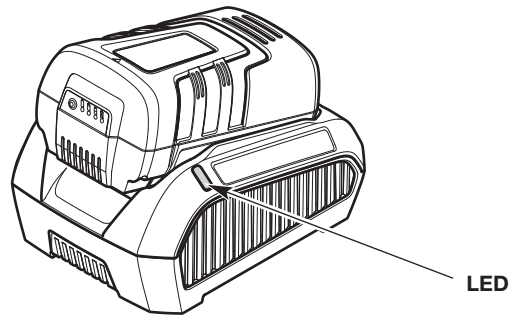


Fig. 3

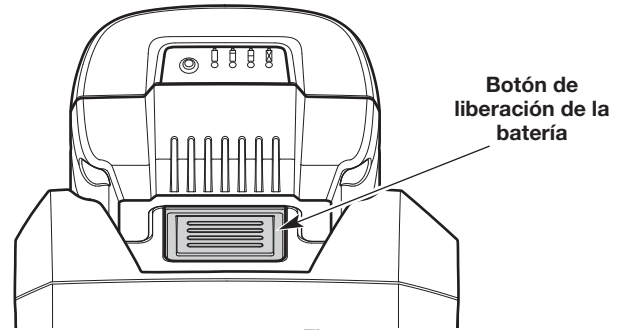


Fig. 4

## INSTALACIÓN Y EXTRACCIÓN DE LA BATERÍA



**ADVERTENCIA:** Se debe evitar arrancar accidentalmente la unidad. Para evitar lesiones serias, **NO** apriete el bloqueo del disparador y **NO** apriete el disparador cuando esté instalando o quitando la batería. Consulte *Arranque y Parada*. Extraiga la batería de la unidad cuando no la use.

### Instalación de la batería

1. Agarre con firmeza la manija trasera (Fig. 5). **NO** apriete del disparador. Consulte *Arranque y Parada*.
2. Deslice la batería en la base de de carga la batería (Fig. 5). Oprima la batería con firmeza hasta que quede trabada en su lugar (Fig. 5). Debería escuchar un "clic".
3. Tire suavemente de la batería para comprobar que esté firmemente trabada en su lugar.

### Extracción de la batería

1. Agarre con firmeza la manija trasera (Fig. 5). **NO** apriete el disparador. Consulte *Arranque y Parada*.
2. Presione el botón de liberación de la batería para destrabarla (Fig. 5).
3. Extraiga la batería del puerto de la batería (Fig. 5).

**NOTA:** Es posible que deba tirar con fuerza para extraer la batería.

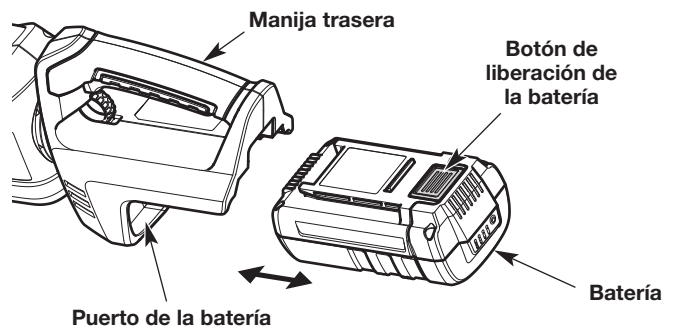


Fig. 5

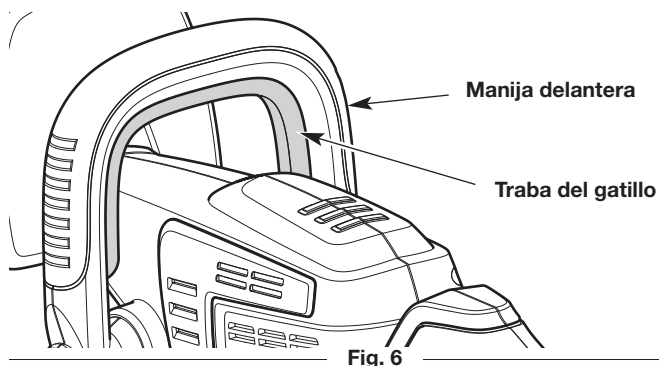


## ARRANQUE Y PARADA

### INSTRUCCIONES DE ARRANQUE

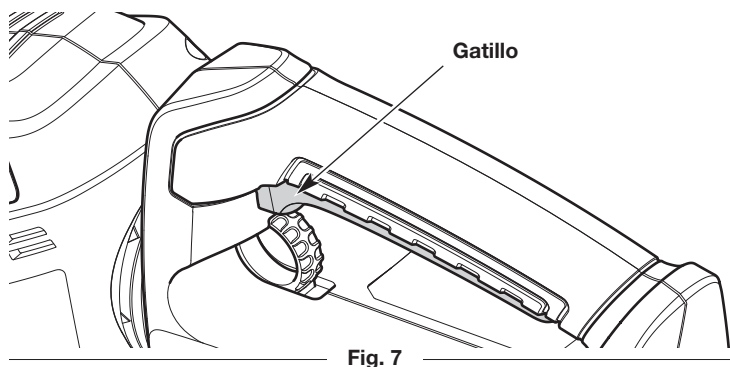
Para evitar que el motor se encienda accidentalmente, esta unidad tiene un bloqueo de disparador. El disparador solo puede ser activado cuando el bloqueo del disparador también esté activado.

1. Instale la batería. Consulte *Instalación de la batería*.
2. Apriete el bloqueo del disparador hacia la manija delantera y sosténgalo en su lugar (Fig. 6).
3. Continúe sosteniendo la traba del gatillo. Presione y el gatillo y manténgalo presionado para encender la unidad (Fig. 7).
4. Continúe apretando el bloqueo del disparador. Apriete el disparador hasta el punto necesario para la operación.



### INSTRUCCIONES DE PARADA

1. Suelte el disparador y/o bloqueo del disparador (Fig. 6 & 7).
2. Espere hasta que todas las piezas móviles se detengan por completo.



## FUNCIONAMIENTO

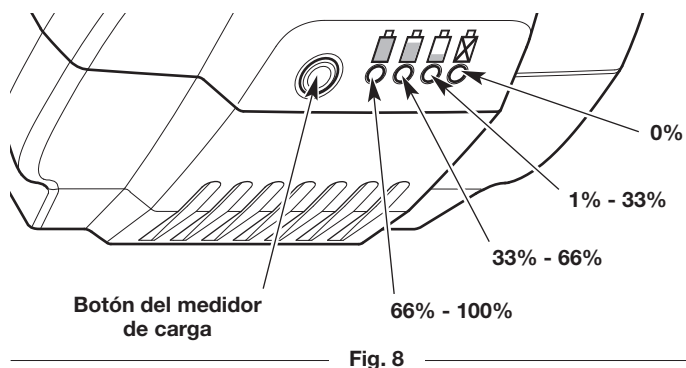


**ADVERTENCIA:** No exponga las herramientas eléctricas a la lluvia o a condiciones húmedas.

### CONTROL DEL NIVEL DE CARGA DE LA BATERÍA

1. Presione el botón del medidor de carga (Fig. 8).
2. Una o más de las luces del medidor de carga debería iluminarse (Fig. 8). La cantidad y el color de las luces indicarán el nivel actual de carga de la batería:
  - 3 Luces verdes = 66 - 100% de carga
  - 2 Luces verdes = 33 - 66% de carga
  - 1 Luz verde = 1 - 33% de carga
  - 1 Luz roja = 0% de carga
3. Si se ilumina la luz roja, cargue la batería antes de continuar usando la unidad.

**NOTA:** Mientras se utilizan, las baterías de ion de litio suministran electricidad con mínimo desvanecimiento. Cuando la batería está totalmente descargada, inmediatamente corta el suministro de alimentación a la unidad y es necesario realizar la carga.





**ADVERTENCIA:** Utilice siempre protección ocular, auditiva, de manos, pies y corporal para reducir el riesgo de sufrir lesiones durante la operación de esta unidad. Utilice una máscara facial o para polvos si la máquina levanta polvo durante su funcionamiento.



**PELIGRO:** Mantenga todas las partes del cuerpo (las manos, los pies, la cara, etc.) alejadas de las cuchillas móviles. El contacto con las cuchillas móviles producirá lesiones personales graves.

## CÓMO SOSTENER LA UNIDAD

- Párese en la posición de arranque (Fig. 9). Párese derecho. No se incline sobre el aparato.
- Mantenga los pies alejados y apoyados firmemente sobre el suelo.
- Sostenga la unidad con firmeza.
- Sujete la manija trasera con la mano derecha. Mantenga el brazo derecho ligeramente doblado.
- Sostenga la manija frontal con la mano izquierda. Mantenga el brazo izquierdo bien derecho.
- **NO** corte por arriba de la altura del hombro.

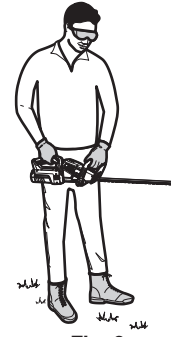


Fig. 9

## AJUSTE DEL ÁNGULO DE CORTE



**ADVERTENCIA:** Para evitar lesiones personales serias y daños a la unidad, apague la unidad y espere hasta que todas las piezas móviles se detengan antes de ajustar el ángulo de corte.

Ajuste el ángulo de corte, en la medida de lo necesario:

1. Tire y sostenga el anillo de ajuste de ángulo (Fig. 10).
2. Rote el alojamiento del motor hasta el ángulo deseado. Hay diversas posiciones predefinidas. Cada posición está marcada con una flecha (Fig. 11).
3. Suelte el anillo de ajuste de ángulo.
4. Verifique que el alojamiento del motor y la manija queden firmemente trabados en su lugar.

**NOTA:** La unidad no se encenderá si la manija no está trabada firmemente en una de las posiciones marcadas.

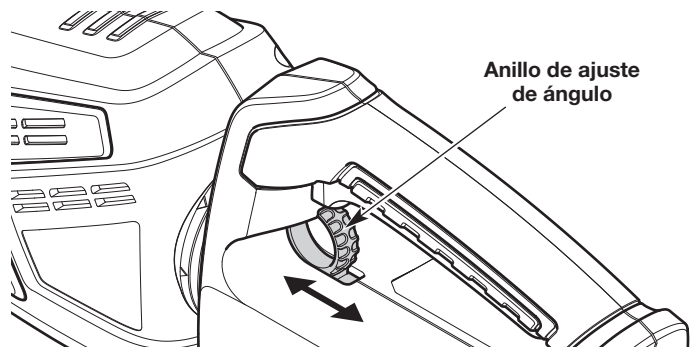


Fig. 10

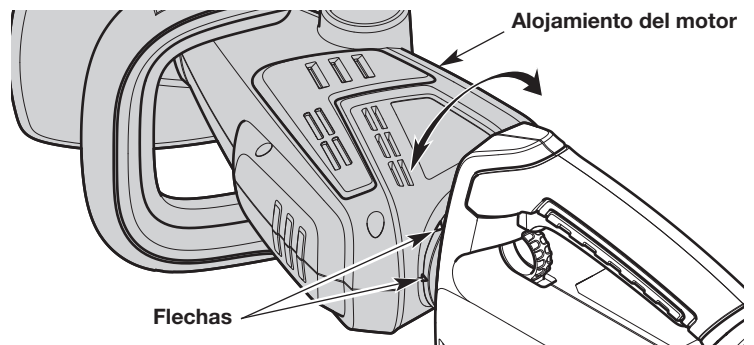


Fig. 11

## RECOMENDACIONES PARA MEJORES RESULTADOS

- Mantenga las cuchillas afiladas y limpias. Consulte *Mantenimiento de las cuchillas* en la sección *Mantenimiento*.
- Mantenga las cuchillas adecuadamente lubricadas. Consulte *Lubricación de las cuchillas* en la sección *Mantenimiento*.
- Para cortar nuevos brotes, use un movimiento de barrido ancho con una ligera inclinación de la cuchilla hacia abajo.
- Para cortar brotes viejos de tallos más gruesos, use un movimiento alterno.
- No intente cortar troncos cuyo diámetro supere las 0.75 pulgadas (1.9 cm). Use una sierra mecánica de mano o una podadora para cortar los tallos más gruesos.
- Use una cuerda para nivelar los setos. Estire una cuerda a lo largo de la parte superior del seto a la altura deseada y corte el seto justo encima del nivel de la cuerda (Fig. 12).
- Para cortar los lados del seto, sostenga la recortadora de setos por la parte inferior y barra hacia arriba. Corte los lados del seto de modo que queden ligeramente más estrechos en la parte de arriba.
- Limpie al terminar la operación. Elimine los residuos correctamente.
- Extraiga la batería de la unidad cuando no la use.

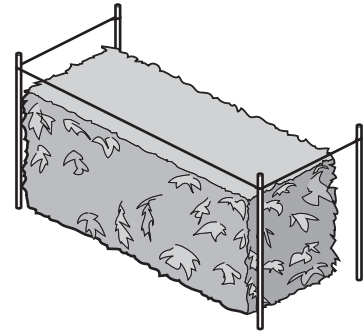


Fig. 12

**ADVERTENCIA:** NO extraiga el material cortado ni sujete el material que se desea cortar, cuando las cuchillas estén en movimiento. Detenga siempre la unidad y extraiga la batería antes de intentar extraer residuos o materiales atascados. Espere un momento hasta que se detengan las piezas móviles luego de apagar la unidad. Las cuchillas giran por inercia por un breve momento.

## MANTENIMIENTO

**ADVERTENCIA:** Para evitar lesiones graves, nunca realice el mantenimiento de la unidad mientras está en funcionamiento. Desconecte siempre la batería para evitar que la unidad arranque accidentalmente. Siempre debe esperar que la unidad se enfríe antes de hacer el mantenimiento. Antes de realizar el mantenimiento del cargador de baterías, desenchufe siempre el mismo del tomacorriente.

**NOTA:** Es posible que algunos procedimientos de mantenimiento requieran herramientas o habilidades especiales. Si no está seguro de poder llevar a cabo estos procedimientos, lleve la unidad a un centro de servicio autorizado.

### MANTENIMIENTO DEL CARGADOR DE BATERÍAS

- Mantenga el cargador de baterías limpio y sin residuos. No permita que ingresen materiales extraños en la base de carga ni en los bornes (Fig. 13). Inspeccione el cargador de baterías para ver si hay materiales extraños antes de usarlo.
- Asegúrese de que el cargador no se haya cortocircuitado a causa de residuos. Inspeccione los bornes para detectar hollín y signos de fusión. No intente usar un cargador cortocircuitado.

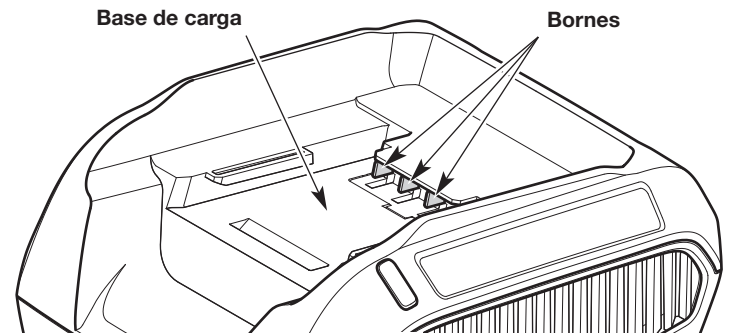
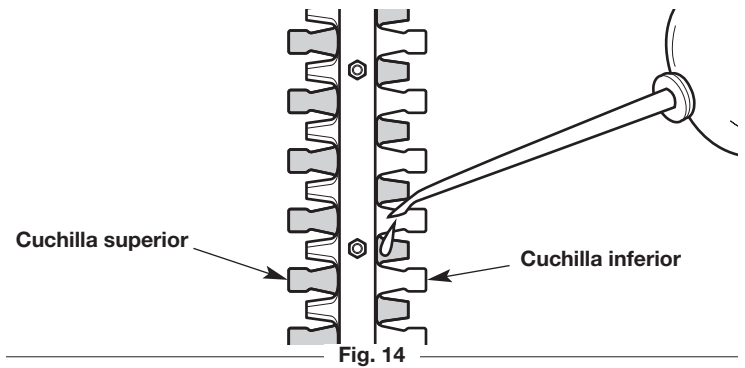


Fig. 13

## LUBRICACIÓN DE LAS CUCHILLAS

Para que las cuchillas funcionen más fácilmente y tengan una vida útil más prolongada, lubríquelas **ANTES** y **DESPUÉS** de cada uso. Nunca lubrique las cuchillas mientras el motor está en marcha o cuando las cuchillas están en movimiento.

1. Pare el motor, espere a que se detengan todas las piezas móviles, extraiga la batería y deje que se enfríe la unidad.
2. Dé vuelta la unidad (Fig. 14).
3. Aplique un aceite industrial liviano entre la cuchilla superior y la cuchilla inferior (Fig. 14). Aplique aceite en todo el largo de las cuchillas.



## MANTENIMIENTO DE LAS CUCHILLAS

Las cuchillas cortadoras están hechas de acero endurecido de alta calidad. Durante el uso normal, no requerirán afilarse a menos que se mellen por el contacto con objetos duros, como cercas de alambre, vidrio, piedras o ladrillos.

Si la cuchilla se mella y ello interfiere con el funcionamiento:

1. Pare el motor, espere a que se detengan todas las piezas móviles, extraiga la batería y deje que se enfríe la unidad.
2. Use una escofina de dientes finos o una piedra de amolar para quitar la parte mellada.

## LIMPIEZA Y ALMACENAMIENTO

### LIMPIEZA



**ADVERTENCIA:** Para evitar lesiones graves, nunca limpie la unidad mientras está en funcionamiento. Siempre desconecte la batería para evitar que la unidad arranque accidentalmente. Siempre deje que la unidad se enfríe antes de limpiarla. Desconecte siempre el cargador de baterías antes de limpiarlo.



**ADVERTENCIA:** Para evitar lesiones graves, no use agua para limpiar la unidad, las baterías o el cargador de baterías. No empape la unidad con agua. No sumerja la unidad en agua ni en ningún otro líquido. No utilice detergentes fuertes. Los productos de limpieza para el hogar que contienen aceites aromáticos como pino y limón, y los disolventes como el queroseno, pueden dañar el plástico.

- Use un cepillo pequeño o un paño limpio y seco para limpiar por fuera la unidad, la batería y el cargador de baterías.
- Limpie las cuchillas con agua. Limpie las cuchillas con aceite liviano para máquinas a fin de evitar la oxidación.

### ALMACENAMIENTO

- Retire la batería de la unidad.
- Deje que se enfríen la unidad, la batería y/o el cargador de baterías.
- Limpie completamente la unidad, la batería y el cargador de baterías. Inspecciónelos para detectar si hay piezas flojas o dañadas. Reemplace las piezas dañadas y ajuste los tornillos, tuercas o pernos flojos.
- Trabe la unidad, la batería y el cargador de baterías para evitar que se los utilice sin permiso o que se provoquen daños.
- Almacene la unidad, la batería y el cargador de baterías en espacio cerrado, en un lugar seco y bien ventilado.
- Almacene la batería y el cargador de baterías en un área con una temperatura que oscile entre 65 y 75°F (18 y 24°C).
- Desenchufe siempre el cargador de baterías cuando no esté en uso.
- Almacene la unidad, la batería y el cargador de baterías fuera del alcance de los niños.
- Si la batería se deja sin uso durante más de dos meses, cargue la misma totalmente antes de utilizarla.

## SOLUCIÓN DE PROBLEMAS

PROBLEMA	SOLUCIÓN
<b>LA BATERÍA NO CARGA</b>	
El cargador de baterías no está enchufado	Enchufe el cargador de batería en una fuente de alimentación de 120V 60 hz CA
La batería no está bien insertada en el cargador de baterías	Retire y luego reinserte la batería en la base de carga completamente
La batería y/o el cargador están demasiado calientes o demasiado fríos	Asegúrese de que la batería y el cargador estén en un entorno que esté a entre 32° F y 104° F (0° C y 40° C). Deje un tiempo para que la batería y/o el cargador se calienten o se enfríen.
La batería y/o el cargador de baterías ya no funcionan	Consulte en la sección <i>Garantía</i> la información referida al cambio
<b>LA BATERÍA SE DESCARGA RÁPIDAMENTE</b>	
La batería no está totalmente cargada	Cargue la batería completamente
La batería y/o el cargador de baterías ya no funcionan	Consulte en la sección <i>Garantía</i> la información referida al cambio
<b>EL MOTOR NO FUNCIONA</b>	
Le falta carga a la batería	Cargue la batería completamente
La batería no está bien instalada	Extraiga y reinstale la batería
El bloqueo del disparador no se activó	Presione y sostenga presionado el bloqueo del disparador antes de apretar el disparador
<b>EL MOTOR SE DETIENE MIENTRAS ESTÁ EN USO LA UNIDAD, PERO LA BATERÍA TIENE CARGA SUFICIENTE TODAVÍA</b>	
Se han conectado los sistemas de protección del dispositivo	Retire la batería, déjela enfriar durante 30 segundos, y vuelva a instalar la batería
<b>EL MOTOR FUNCIONA PERO LAS CUCHILLAS NO SE MUEVEN</b>	
Las cuchillas están atascadas con residuos	Pare el motor, espere a que se detengan todas las piezas móviles, extraiga la batería y deje que se enfríe la unidad. Extraiga con precaución los residuos.
Las cuchillas están dañadas	Haga reparar la unidad por un centro de servicio técnico autorizado

**Si necesita asistencia adicional, comuníquese con un centro de servicio autorizado.**



# REMINGTON®

## REMINGTON LLC GARANTÍA LIMITADA

### Garantía Limitada

La presente garantía limitada es otorgada por Remington LLC respecto de productos nuevos operados a batería de la marca Remington (en adelante el "Producto") comprados y utilizados en los Estados Unidos y/o Canadá al Comprador Inicial (como se define aquí). Este Producto no está diseñado para uso comercial o alquiler.

### Alcance de la Garantía Limitada

Remington LLC ofrece la siguiente garantía limitada al Comprador Inicial cuando el producto se utilice con fines residenciales u otros fines no comerciales: a excepción de las Exclusiones (definidas aquí), durante el Período de Garantía (como se define aquí), este Producto (excluyendo la batería y el cargador de batería) estará libre de defectos de fabricación, incluyendo mano de obra y materiales. El "Comprador Inicial" significa la primera persona que compre este Producto nuevo en un concesionario Remington autorizado, distribuidor o vendedor de dichos productos. Esta garantía limitada es intransferible. Sujeto a las Exclusiones y a excepción de lo aquí indicado en contrario, el período de la garantía limitada para este Producto nuevo comprado por el Comprador Inicial es de **tres (3) años** a partir de la fecha de compra que figure en la factura original de venta del Producto ("Período de Garantía").

### Defectos de Mano de Obra o Materiales

Sujeto a las Exclusiones y a excepción de lo aquí indicado en contrario, se garantiza que este Producto estará libre de defectos de fabricación, tanto de mano de obra como de materiales, durante el Período de Garantía. Durante el Período de Garantía, Remington LLC tendrá la opción de reparar o reemplazar cualquier pieza original que esté cubierta por esta garantía limitada y que se determine que presenta un defecto de mano de obra o materiales.

### Para calificar para esta Garantía Limitada, este Producto:

1. Debe haber sido comprado en un comercio autorizado.
2. Debe haber sido adquirido por el Comprador Inicial dentro de los Estados Unidos o Canadá.
3. Debe haber sido utilizado únicamente para fines residenciales (no comerciales).
4. Debe haber sido usado de una manera acorde al uso normal y correcto previsto para este Producto.

### ¿Quiénes pueden efectuar Reparaciones bajo esta Garantía?

Para calificar para la presente garantía limitada, las reparaciones efectuadas bajo esta garantía deben ser realizadas por un proveedor de servicios de garantía autorizado por Remington.

### Cómo obtener Servicios bajo esta Garantía Limitada.

Para localizar un proveedor de servicios de garantía de Remington, contáctese con su concesionario, distribuidor o comercio Remington autorizado o comuníquese con Remington LLC escribiendo a P.O. Box 361032, Cleveland, Ohio 44136-0019, llamando al 1-866-206-2707 o ingresando a nuestro sitio web: [www.remingtonpowertools.com](http://www.remingtonpowertools.com). Dentro de Canadá, contáctese con MTD Products Limited, 97 Kent Avenue, Kitchener, ON N2G 3R2, llame al call 1-877-696-5533 o ingrese al sitio web indicado arriba. Esta garantía limitada es otorgada por Remington LLC y es la única garantía que otorga Remington LLC para este Producto. PARA UN SERVICIO DE GARANTÍA NECESITARÁ PRESENTAR UNA COPIA DE SU FACTURA DE VENTA.

### Lo que NO cubre esta Garantía Limitada.

#### Esta Garantía Limitada No cubre lo siguiente (las "Exclusiones"):

1. Producto comprado fuera de los Estados Unidos o Canadá.
2. Los daños producidos por la falta de mantenimiento y/o un mantenimiento inadecuado, según se describe en el manual del operador.

3. El desgaste normal resultante de usar el Producto.
4. Las Piezas de Desgaste Normal (como se las define aquí) tienen la garantía de estar libres de defectos de mano de obra y materiales por un periodo de treinta (30) días desde la fecha de compra original por parte del Comprador inicial. A los fines de esta Garantía Limitada, "Piezas de Desgaste Normal" incluyen, entre otras, las siguientes: perillas de impacto, bobinas exteriores, hilo de corte, carretes interiores, poleas de arranque, cuerdas de arranque, correas de transmisión, motosierras, barras de guía, dientes de cultivadora y/o cuchillas.
5. El uso del Producto de manera no acorde al uso previsto para el mismo, como se describe en las instrucciones operativas, incluyendo, sin limitación, abuso, uso indebido y/o descuidado del Producto o todo uso que no se compadezca y/o no cumpla con las instrucciones que figuran en el manual del operador.
6. Todo Producto que haya sido alterado o modificado de alguna manera que no se compadezca con el diseño original del Producto o de alguna manera no aprobada por Remington LLC.
7. Las llantas de ruedas (en caso de venir equipadas) están cubiertas por defectos de fabricación por un período de tres (3) meses a partir de la fecha de compra original por parte del Comprador Inicial.
8. La batería provista con este Producto está cubierta por una garantía que cubre defectos de mano de obra y materiales por un período de **tres (3) años** a partir de la fecha de compra original por parte del Comprador Inicial.
9. El cargador de batería provisto con este Producto tiene una garantía que cubre defectos de mano de obra y materiales por un período de **tres (3) años** a partir de la fecha de compra original por parte del Comprador Inicial.

**Esta Garantía no cubre y Remington LLC se exime de toda responsabilidad por cuestiones, entre otras, como las siguientes:**

1. Pérdida de tiempo o pérdida de uso del Producto.
2. Los costos de transporte y otros gastos relacionados con el transporte del Producto hasta y desde el establecimiento del proveedor de servicios de garantía autorizado de Remington.
3. Cualquier pérdida o daño a otros equipos o elementos personales.
4. Daños ocasionados por mantenimiento inadecuado o el uso de combustible, aceite o lubricantes que no fueran los especificados, según lo aprobado en el manual del operador.
5. Daños resultantes de la instalación o el uso de cualquier accesorio o pieza no aprobada por Remington LLC para usar con el Producto.

**Limitaciones:**

1. NO HAY NINGUNA GARANTÍA, INCLUYENDO, SIN LIMITACIÓN, NINGUNA GARANTÍA TÁCITA DE COMERCIABILIDAD O APTITUD PARA UN DETERMINADO USO. NINGUNA GARANTÍA SE APLICARÁ DESPUÉS DEL PERÍODO DE GARANTÍA APLICABLE SEGÚN LO ESTABLECIDO ANTERIORMENTE CON RESPECTO A LAS PIEZAS IDENTIFICADAS. NINGUNA OTRA GARANTÍA EXPRESA, SEA ESCRITA O VERBAL, A EXCEPCIÓN DE LA ARRIBA INDICADA, OTORGADA POR UNA PERSONA FÍSICA O JURÍDICA, INCLUYENDO UN CONCESIONARIO O COMERCIANTES, CON RESPECTO ALGÚN PRODUCTO SERÁ VINCULANTE PARA REMINGTON LLC. DURANTE EL PERÍODO DE GARANTÍA, EL RECURSO EXCLUSIVO ES LA REPARACIÓN O LA SUSTITUCIÓN DE LA PIEZA DEFECTUOSA, SEGÚN LO ESTABLECIDO ANTERIORMENTE. (ALGUNOS ESTADOS NO PERMITEN LIMITACIONES SOBRE EL TIEMPO DE DURACIÓN DE UNA GARANTÍA TÁCITA, POR LO QUE LA LIMITACIÓN ANTERIOR PODRÍA NO APLICARLE A USTED.)
2. LAS DISPOSICIONES ESTABLECIDAS EN EL PRESENTE DOCUMENTO PREVÉN EL ÚNICO Y EXCLUSIVO RECURSO QUE SURGE DE LA VENTA. REMINGTON LLC NO SERÁ RESPONSABLE POR DAÑOS O PÉRDIDAS INCIDENTALS O INDIRECTAS INCLUYENDO, SIN LIMITACIÓN, POR GASTOS DE TRANSPORTE O GASTOS SIMILARES O POR GASTOS DE ALQUILER PARA REEMPLAZAR PROVISORIAMENTE UN PRODUCTO GARANTIZADO. (ALGUNOS ESTADOS NO PERMITEN LA EXCLUSIÓN O LA LIMITACIÓN DE DAÑOS INCIDENTALS O CONSECUENTES, POR LO QUE QUE ES POSIBLE QUE LA EXCLUSIÓN O LIMITACIÓN ANTERIOR NO SE APLIQUE EN SU CASO).
3. En ningún caso el reembolso será superior al precio de compra del Producto vendido. La alteración de los elementos de seguridad del Producto anulará esta garantía limitada. Usted asume el riesgo y la responsabilidad por pérdidas, daños o lesiones personales y materiales tanto suyas como de terceros como consecuencia del uso o uso indebido o imposibilidad de usar este Producto.

**Leyes Estatales y esta Garantía.**

Esta garantía limitada le concede derechos legales específicos, y también es posible que tenga otros derechos, que varían de un estado a otro.



