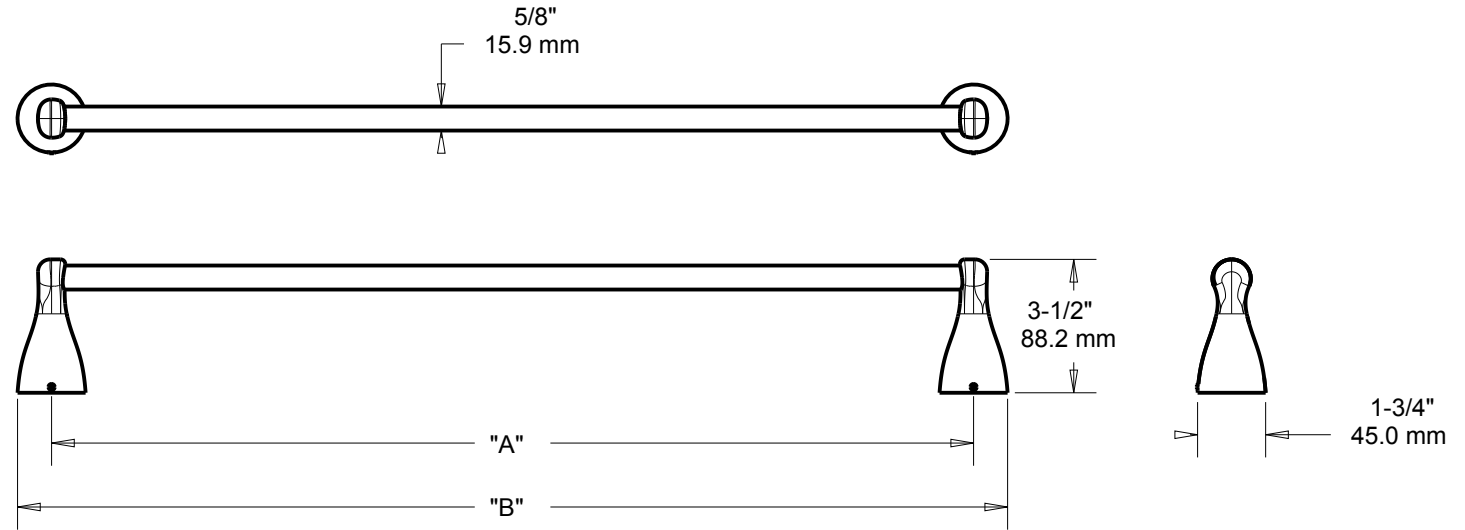
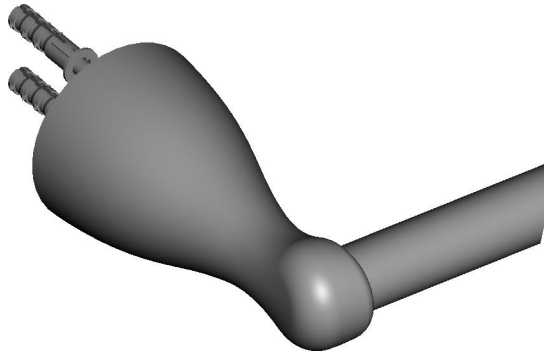


# Foundation - Set Screw

# 18",24" TOWEL BAR



**MATERIALS:** Post - Zinc Die Cast  
 Bar - Steel  
 Wall Plate - Steel, Zinc Plated

**INSTALLATION:** Mount wall plate bracket(s) per installation instructions with supplied fasteners. Slip product over wall plate(s) and tighten set screws until secure.

**OPTIONAL FASTENER INFORMATION:**  
 Wood blocking is preferable behind all wall surfaces. If wood blocking is not available, the following fasteners are suggested: Tile/Masonry - Plastic or Lead Anchors, Plaster/Drywall - Toggle Bolts.

**SPECIFICATION:** Surface mounted Towel Bar shall be model \_\_\_\_\_  
 (fill in model number) by Liberty Hardware Manufacturing Corporation.

LENGTH	18" 457.2 mm	24" 609.6 mm
DIM "A"	18" 457.2 mm	24" 609.6 mm
DIM "B"	19-3/4" 502.2 mm	25-3/4" 654.6 mm

