

HAMPTON BAY®

SKU # :1004763283

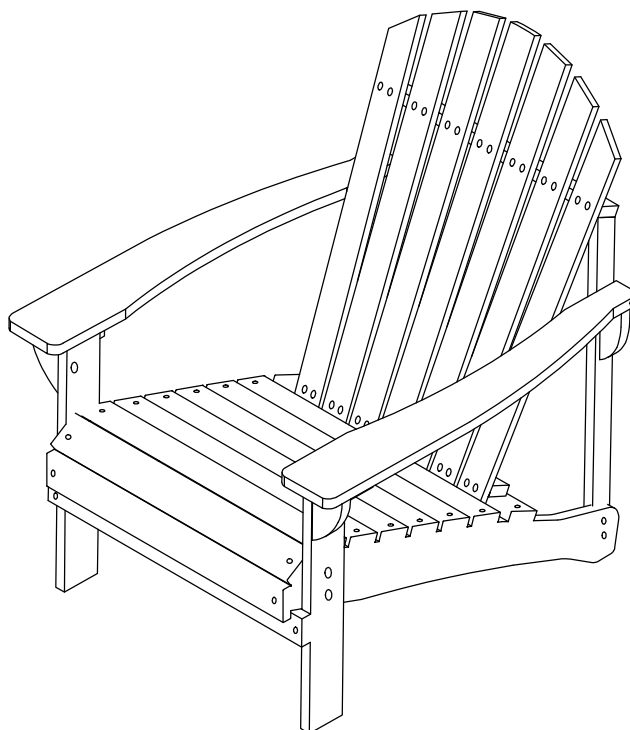
Model #:EFS-C-001

SKU # :1004707394

Model #:EFS-C-002

USE AND CARE GUIDE

THD PRODUCT NAME:UNFINISHED ADIRONDACK CHAIR



**Questions,problems,missing parts? Before returning to the store,
call Hampton Bay Customer Service
8 a.m. - 7 p.m.,EST,Monday - Friday,
9 a.m. - 6 p.m.,EST,Saturday,**

1-855-HD-HAMPTON

HAMPTONBAY.COM

THANK YOU

We appreciate the trust and confidence you have placed in Hampton Bay through the purchase of this chair. We strive to continually create quality products designed to enhance your home. Visit us online to see our full line of products available for your home improvement needs thank you to choosing Hampton Bay!

Table of Contents

Table of Contents.....	2	Hardware Included	3
Safety Information.....	2	Chair Package Contents.....	4
Warranty	2	Assembly	5
What is covered	2	Care and Cleaning	6
What is not covered.....	2	Troubleshooting	6
Pre-Assembly.....	3		
Planning Assembly	3		

Important Safety Instructions

READ ALL INSTRUCTIONS BEFORE USE

To reduce the risk of injury to persons:

1. Close supervision is necessary when this furnishing is used by or near children, or disabled persons, if applicable.
2. Use this furnishing only for its intended use as described in these instructions. Do not use attachments not recommended by the manufacturer.



DANGER: Keep children and parts away from the assembly area.



WARNING: To avoid destroying the finish, please handle the surface by using a soft cloth instead of your bare hands. Due to the nature of iron, surface oxidation (rusting) will occur once these protective coatings are scratched. We recommend immediate touch-up with rust inhibiting paint (not included).



CAUTION: Do NOT over tighten any of the bolts or nuts.

Warranty

1 YEAR LIMITED WARRANTY

WHAT IS COVERED

We warrant the product to be free of manufacturing defects to the original purchase for one year.

WHAT IS NOT COVERED

It remains the customer's responsibility for freight and packaging charges to and from our service center. This warranty does not cover commercial use, hardware, acts of nature, freezing, or abusive use. In addition, purchased parts are not covered under this warranty. We reserve the right to make substitutions with similar merchandise, if the model in question is no longer in production. Contact Customer Care at 1-855-HD-HAMPTON or visit www.hamptonbay.com.

Pre-Assembly

PLANNING ASSEMBLY

Please read this entire instruction manual prior to assembly.

Identify all parts packed in the carton against the parts list. Remove all protective materials and place the parts on a non-abrasive surface to avoid scratching.

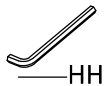
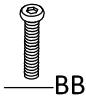
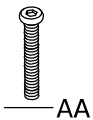


NOTE: More than one person may be required to assemble this product.

HARDWARE INCLUDED

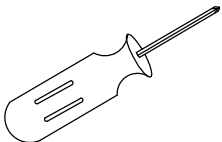


NOTE: Hardware shown to actual size.

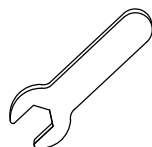


Part	Description	Quantity
AA	M6X70 Bolt	2+1
BB	M6X60 Bolt	2+1
CC	M6X45 Bolt	10+1
DD1	M6X40 Cam Bolt	2+1
DD2	Ø14.5X12 Cam Lock	2+1
EE	Ø4X30 Self-tapping Screw	2+1
FF	Flat Washer	18
GG	Hex Nut	18
HH	Hex Key	1

TOOLS REQUIRED (NOT INCLUDED)



Flathead Screwdriver



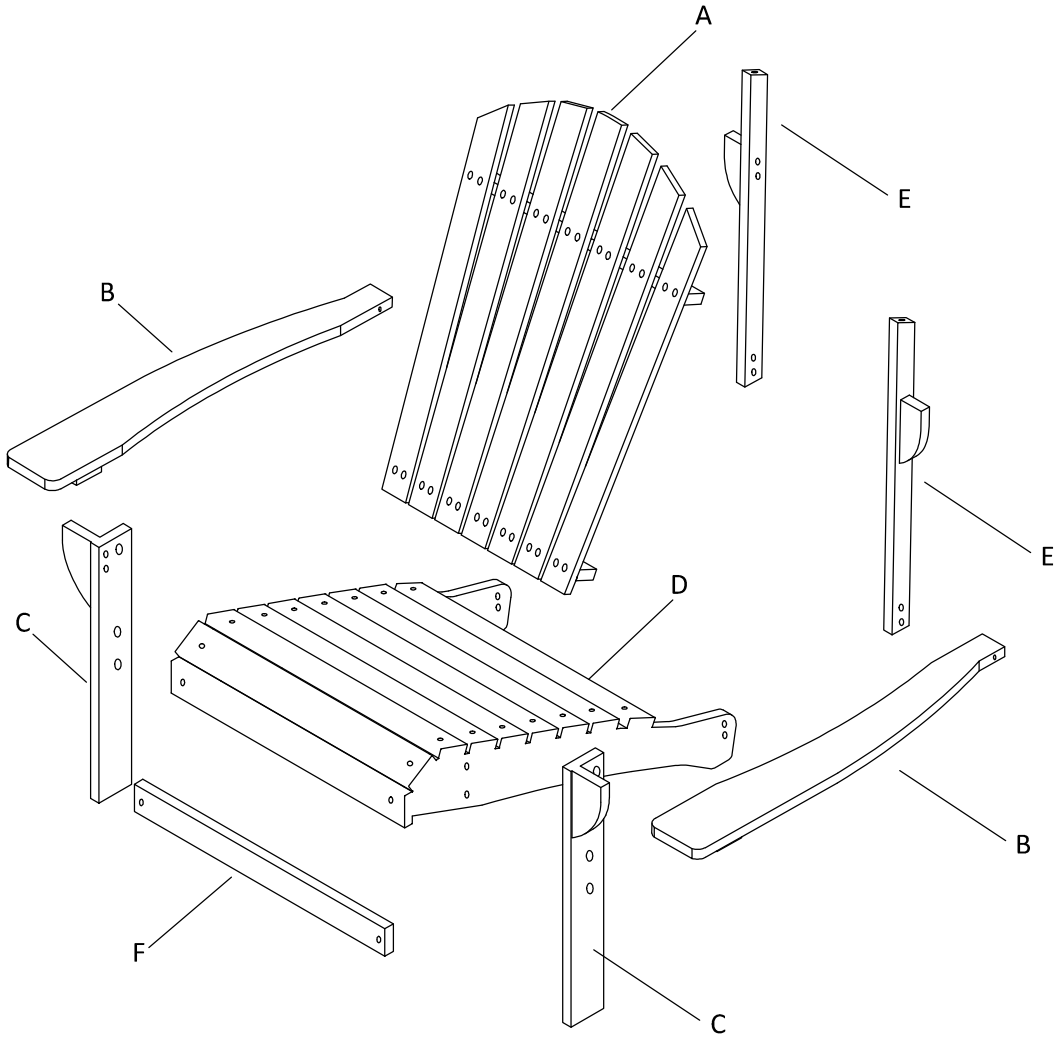
Wrench

Pre-Assembly (continued)

CHAIR PACKAGE CONTENTS



IMPORTANT: Do not fully tighten bolts/screws until all pieces are loosely assembled.



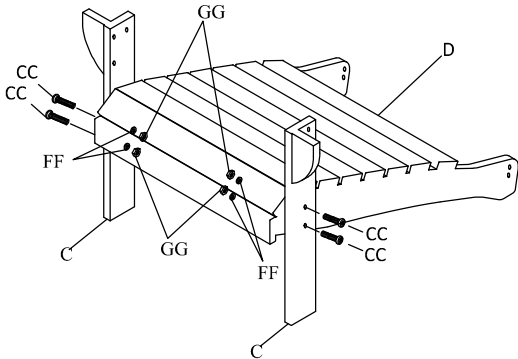
Part	Description	Quantity
A	Back Rest	1
B	Arms (Left and Right)	2
C	Front Legs (Left and Right)	2
D	Seat	1
E	Back Brackets (Left and Right)	2
F	Front Leg Cross Beam	1

Assembly

1 Attaching the front legs to the seat

CC	4
FF	4
GG	4

- Attached the front leg (C) to the seat (D) with bolt (CC) and flat washer (FF) + Hex nuts (GG) + Hex Key (HH).
- Do NOT completely tighten at this time.



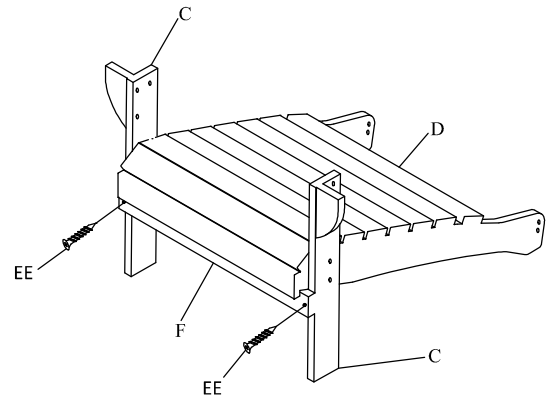
2 Securing the seat

- Secure the seat (D) and the front legs (C) by attaching the cross beam (F) using self-tapping screws (EE).



NOTE: Please ensure all the bolts are assembled correctly and use screwdriver or wrench to tighten. Do not fully tighten bolts/screws until all pieces are loosely assembled.

EE	2
----	---

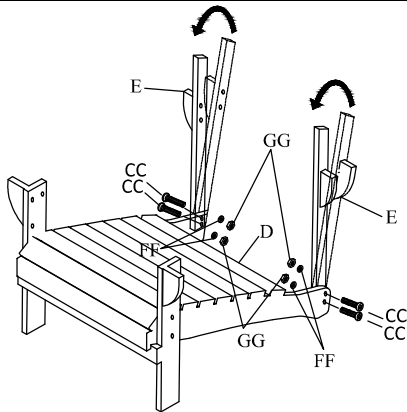


3 Installing the back bracket

- Attached the back brackets (E) to the seat (D) with bolt (CC) and flat washer (FF) + Hex nuts (GG) + Hex Key (HH).
- Do NOT completely tighten at this time.



NOTE: Please ensure all the bolts are assembled correctly and use screwdriver or wrench to tighten. Do not fully tighten bolts/screws until all pieces are loosely assembled.

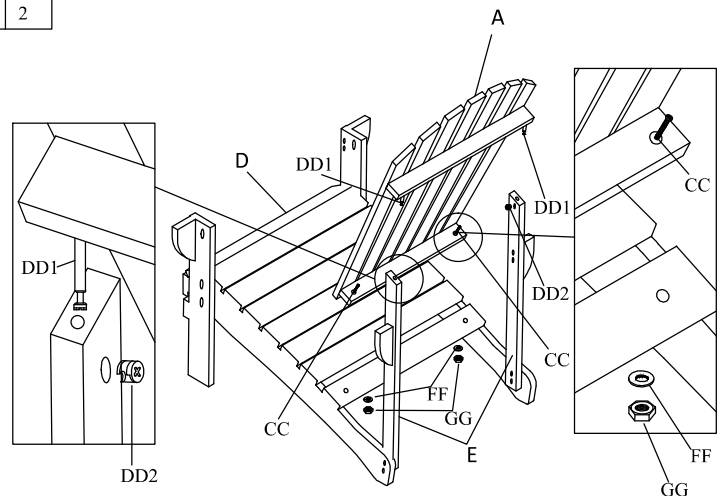


CC	4
FF	4
GG	4

4 Installing the back bracket

- Attach bolt (DD1) to the back rest (A).
- Attach the back rest (A) to the seat (D) with bolts (CC) and Flat Washer (FF) + Hex nuts (GG) + Hex Key (HH) and back bracket (E) with cam bolts (DD1). Adjust the back brackets (E) to align the holes if necessary.
- Secure the back rest (A) and back brackets (E) with cam locks (DD2).
- Tighten cam locks (DD2) and bolts (CC).

CC	2
DD1	2
DD2	4
FF	2
GG	2

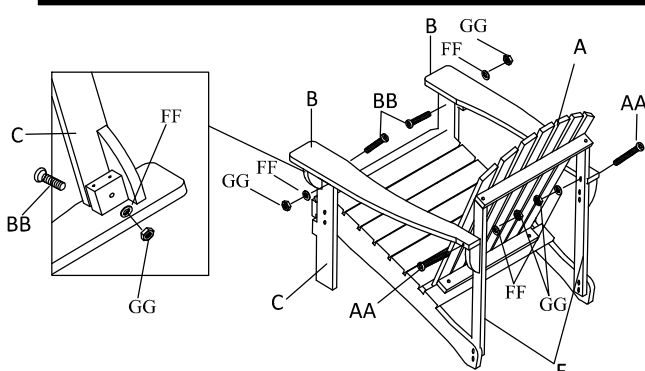


5 Assembling the arms

- Secure the back brackets (E) and the arms (B) together with bolts (AA) and Flat Washer (FF) + Hex nuts (GG) + Hex Key (HH).
- Secure the front legs (C) and arms (B) with bolts (BB) and Flat Washer (FF) + Hex nuts (GG).
- Adjust the front legs (C) to align the holes if necessary.



NOTE: Please check the chair and bolts are properly aligned and then fully tighten all the screws/bolt.



AA	2
BB	2
FF	4
GG	4

6 Fully tighten all the screws/bolts

- Fully tighten all the screws/bolts.

Care and Cleaning

- Before using, clean the Chair completely with a soft dry towel.
- Do not put your Chair in wet conditions, such as rain where there is a risk of rust developing.
- When not in use, store in a cool, dry area.

Troubleshooting

Problem	Solution
Assembly holes do not line up.	Fronts Legs (C) and Back Bracket (E) are adjustable to help align the holes. Do not fully tighten the bolts/screws until all pieces are loosely assembled.

HAMPTON BAY.

**Questions, problems, missing parts? Before returning to the store,
call Hampton Bay Customer Service
8 a.m. - 7 p.m., EST, Monday - Friday,
9 a.m. - 6 p.m., EST, Saturday,**

1-855-HD-HAMPTON

HAMPTONBAY.COM

Retain this manual for future use.