



LIQUIDYNAMICS™

DRUM TOPPER

Owners Manual

This manual covers the following Drum Toppers

P/N's 33115-S1NTE and 33115-S2NTE

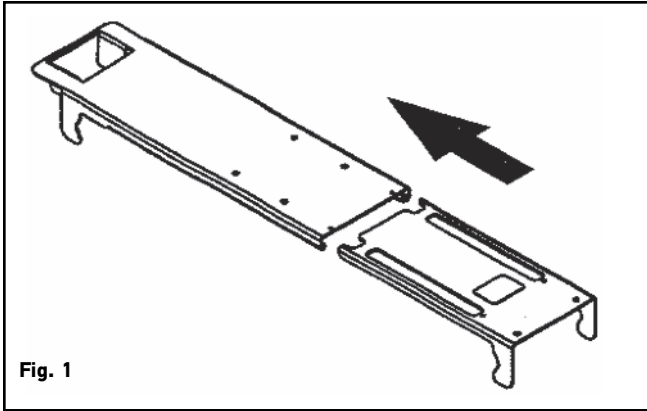


This manual contains important warnings and information. READ AND KEEP FOR REFERENCE.

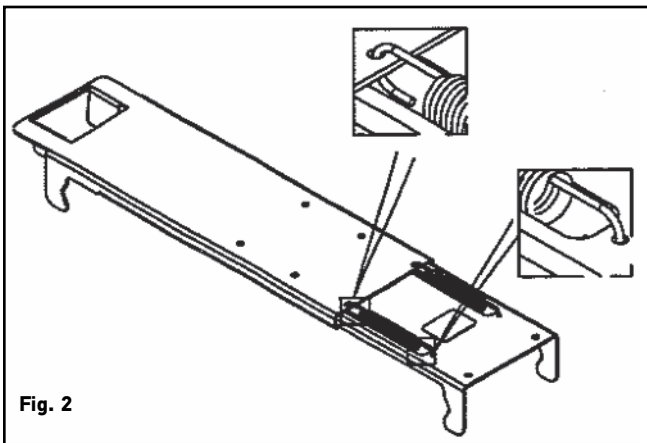
2311 S. Edwards • Wichita, KS 67213
TEL: 316-943-5477 • FAX: 316-943-4760
TOLL FREE: 800-894-3572
E-MAIL: productinfo@liquidynamics.com
- or - orderdesk@liquidynamics.com

Assembly Instructions

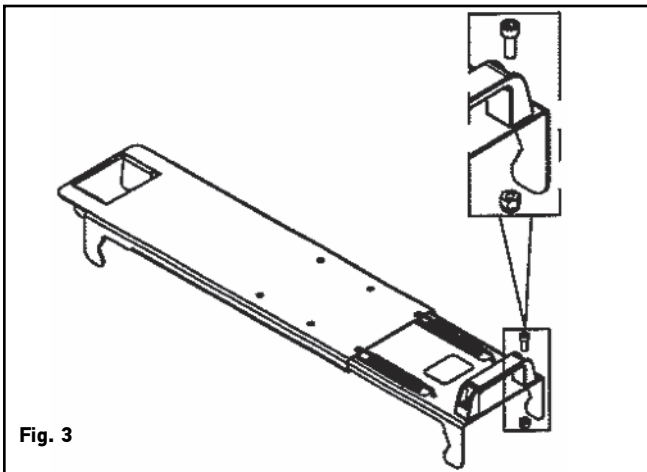
1. Slide left and right sections of the SS mounting bracket together (fig. 1).



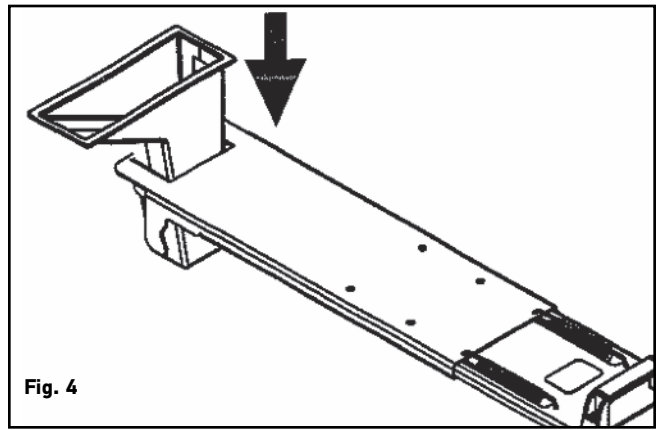
2. Attach the two springs provided (fig. 2).



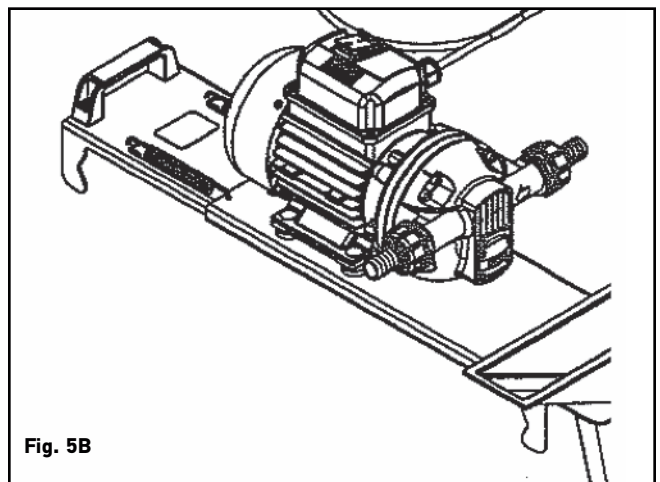
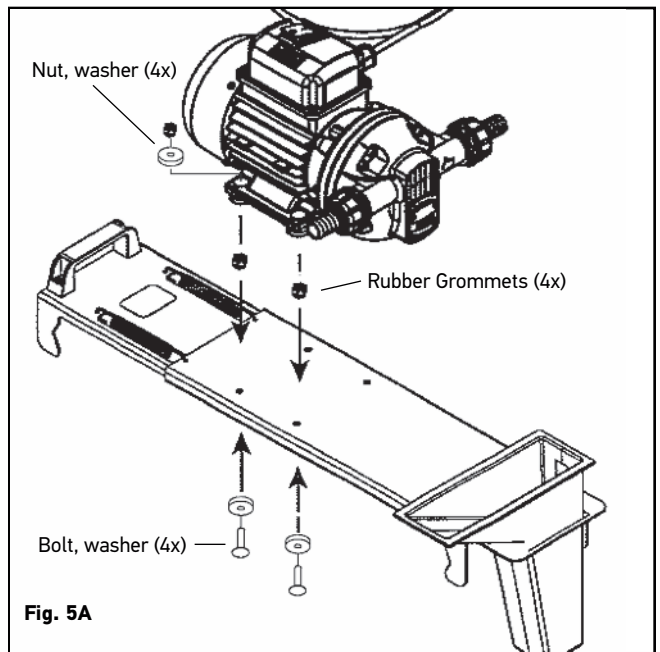
3. Attach the plastic handle using the two screws provided, using 5 mm Allen wrench



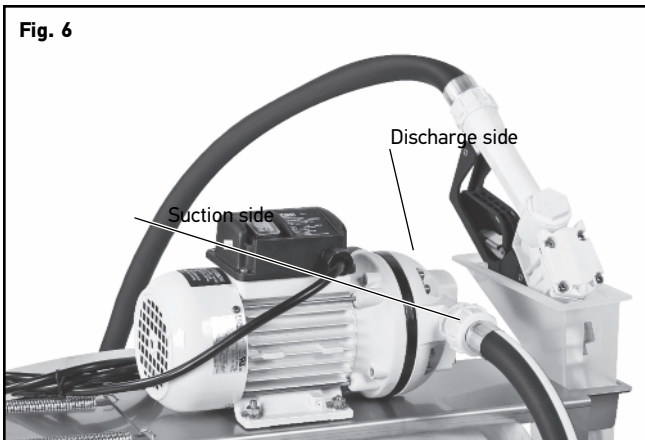
4. Insert the drip catch container (fig. 4).



5. Attach pump to mounting bracket oriented as shown using four each bolts, nuts and rubber grommets. Be careful to ensure that rubber grommets are placed between pump body and SS mounting bracket and bolt head enters from underneath bracket with nuts on top of bracket/pump (fig. 5A & 5B complete).



6. Attach one end of 15' discharge hose to the discharge side of pump and the other end to manual poly nozzle as shown (fig. 6).
7. Attach suction side of hose with crimped fitting to suction side of pump (fig. 6).



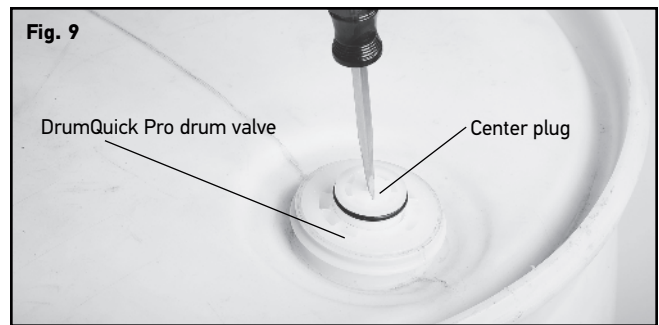
8. Attach DrumQuick Pro coupler to other end of suction hose using the provided hose clamp (fig. 7).



9. Place assembled Drum Topper kit onto top of drum as shown and secure in place with spring tension



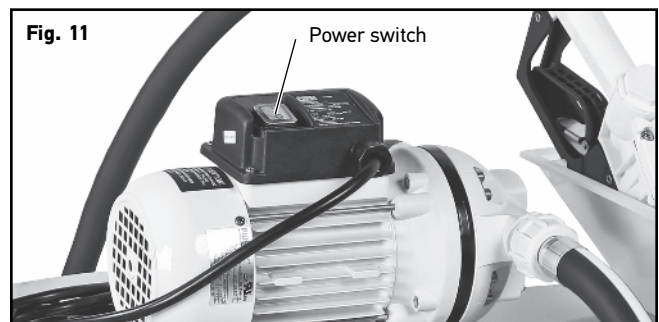
10. Insert and tighten DrumQuick Pro drum valve into 2" bung opening of 55 gallon drum (fig. 9).
11. Remove center plug from DrumQuick Pro drum valve (fig. 9).



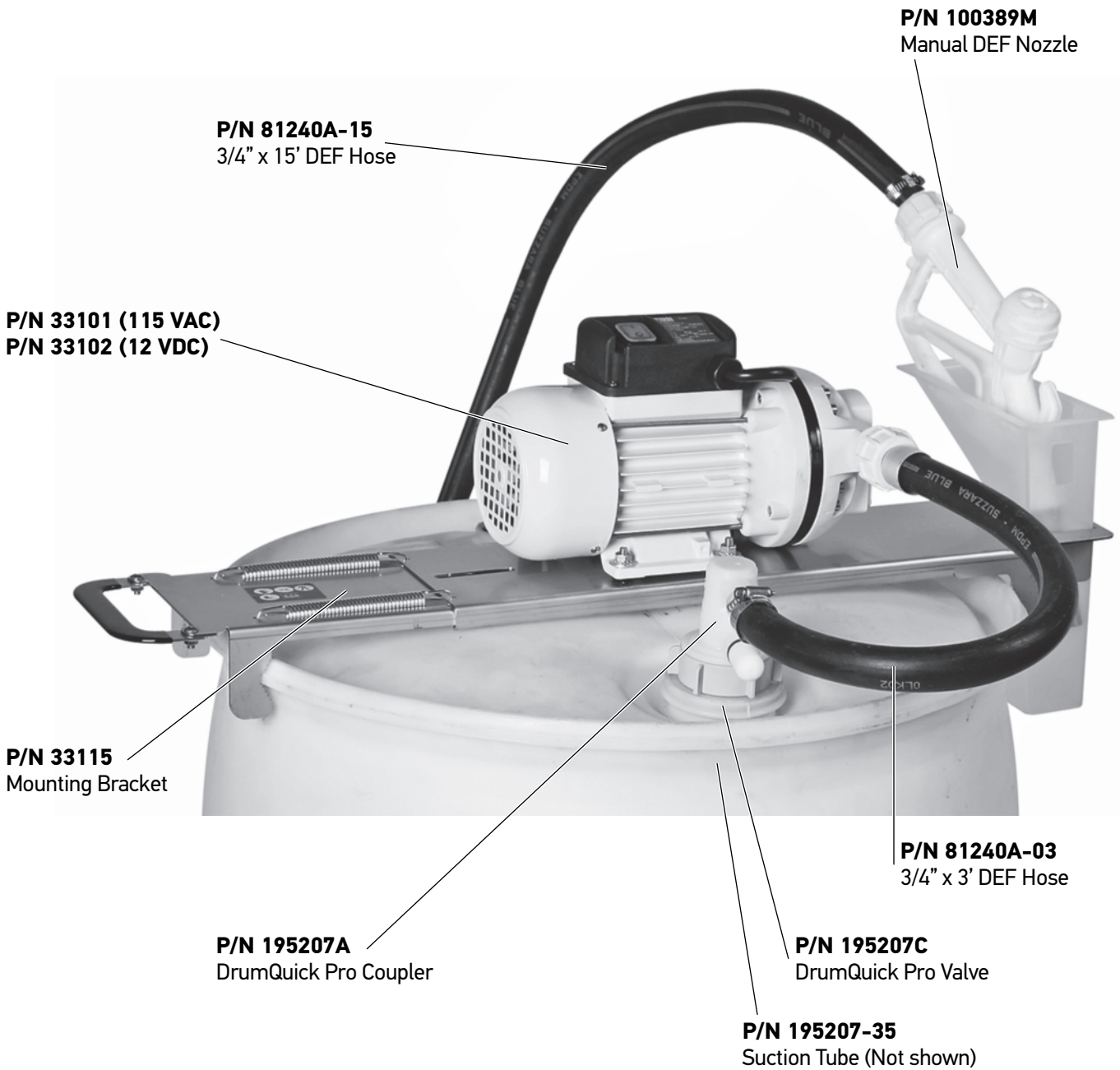
12. Attach and tighten DrumQuick Pro coupler to drum valve as shown (fig. 10).



13. For model 33115-S1NTE connect pump to 115 VAC outlet (or 12 VDC for model 33115-S2NTE).
14. Turn on power switch, open manual nozzle and allow pump to prime itself. Once flow achieved, shut off nozzle and turn off power switch. NOTE: these pumps have a built in safety feature that prevents the pump from running longer than approximately 6 minutes. To restart the pump, turn off the power switch and then turn back on (fig. 11).



Part Numbers



LIQUIDYNAMICS™

2311 S. Edwards • Wichita, KS 67213 / TEL: 316-943-5477 • FAX: 316-943-4760 / TOLL FREE: 800-894-3572
E-MAIL: productinfo@liquidynamics.com or orderdesk@liquidynamics.com / WEBSITE: www.liquidynamics.com