



HADEN

ESTD. ENGLAND 1958



PRODUCT CODE: 75030 & 75031

MICROWAVE OVEN





How Can We Help?

The Haden team is always interested in what you have to say, so why not get in touch?



Call us

California: +1 562 942 0492

Outside California: +1 866 942 0492

Available Monday - Friday

8am - 4:30pm P.T



Email us

haden@studiodesigns.com



Write to us

Team Haden, Studio Designs,
6027 Bandini Blvd, Commerce, CA
90040



Visit us

www.haden.com

TABLE OF CONTENTS

INTRODUCTION	2
PRECAUTIONS	3
INSTALLATION	4
IMPORTANT SAFETY INSTRUCTIONS	5
PRODUCT INTRODUCTION	11
OPERATION OF THE CONTROL PANEL	12
UTENSILS GUIDELINE	20
COOKING TIPS	21
CLEANING	22
MAINTENANCE	24

INTRODUCTION

Thank you for purchasing this product.

You may already be familiar with using a similar product, but please take time to read these instructions, they have been written to ensure you get the very best from your purchase.

Safety is Important

To ensure your safety and the safety of others, please ensure you read all these instructions paying particular attention to the Product safety and the Electrical Safety information before you operate product.

Keep this information in a safe place for future reference.

UNPACKING

Retain packaging in which the microwave oven was supplied so that in the event that the equipment needs to be returned it can be suitably repacked.

Open the packaging carefully and remove each item for inspection. Remove any protective film covering the microwave. Do not use a knife or sharp object otherwise you risk damaging the surface.

Check that all items have been supplied. The items supplied for this model of microwave oven are:

- Microwave oven
- Glass turntable
- Rotating axis
- User guide (this publication)

Inspect the microwave oven and power lead for any damage. If any damage is found do not use the oven. Contact the dealer where the product was purchased.

Read these instructions before using the oven.

PRECAUTIONS

To avoid possible exposure to microwave energy observe the following instructions. It is important that you do not disarm or tamper with the safety interlocks since this can result in harmful exposure to microwave energy.

- Do not place any objects between the front of the microwave oven and the door, or allow residues to accumulate on the sealing surfaces.
- Do not operate the oven if it is damaged in any way. It is particularly important that the oven door closes properly and that there is no damage to the (a) door-such as dents,(b)its hinges and latches or (c) the door seals and sealing surfaces.
- Do not install the oven over equipment that produces heat, such as a range cooker or cooking hob. Failure to follow this instruction could damage the microwave oven and would make the warranty void.
- Do not block the air intake and outlet vents. Do not place anything on top of the oven. Failure to comply can damage the oven.
- Do not remove the feet from the bottom of the oven.
- Never remove the mica cover that is installed to the oven inner right wall. This cover protects the magnetron.

Requirements

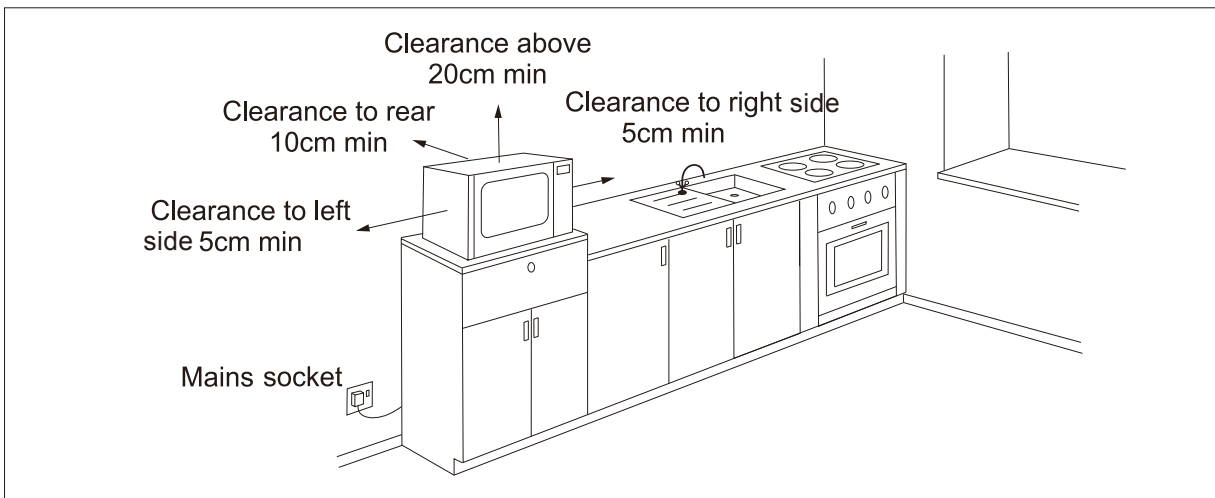
Ensure the voltage and frequency on the rating label of the oven is the same as that of the household power supply.

Place the oven as far from TVs and radios as possible, operation of the microwave oven can cause interference to your TV and radio reception. Select a horizontal surface that provides enough open space for the oven inlet and outlet vents and is strong enough to support the weight of the microwave oven.

Route the mains lead away from all hot and sharp surfaces. Do not trap the lead under the microwave.

Plug your oven into a standard outlet socket wired up as shown in the section entitled important safety instructions at the end of this guide.

INSTALLATION



Installation of microwave oven

- 1) To ensure sufficient ventilation, the distance of the back of microwave to the wall should be at least 10cm, the side to the wall should be at least 5cm, the free distance above the top surface at least 20 cm.
- 2) Do not place any objects on the top of microwave oven.
- 3) The position of the oven shall be such that it is far from the TV, Radio or antenna as picture disturbance or noise may occur.
- 4) The appliance must be positioned so that the plug is accessible.
- 5) The microwave oven is intended to be used freestanding and shall not be placed in a cabinet.

IMPORTANT SAFETY INSTRUCTIONS

Power source

You should only plug your microwave oven into a 110 - 120 AC 50Hz supply.

Using the oven

WHEN USING ELECTRICAL APPLIANCES BASIC SAFETY PRECAUTIONS SHOULD BE FOLLOWED, INCLUDING THE FOLLOWING:

WARNING – To reduce the risk of burns, electric shock, fire, injury to persons, or exposure to excessive microwave energy:

- Read all instructions before using the appliance.
- Read and follow the specific "PRECAUTIONS TO AVOID POSSIBLE EXPOSURE TO EXCESSIVE MICROWAVE ENERGY" found on page 5.
- This appliance must be grounded. Connect only to properly grounded outlet. See "GROUNDING INSTRUCTIONS" found on page 6.
- Install or locate this appliance only in accordance with the provided installation instructions.
- Some products such as whole eggs and sealed containers – for example, closed glass jars – are able to explode and should not be heated in this oven.
- Use this appliance only for its intended use as described in the manual. Do not use corrosive chemicals or vapors in this appliance. This type of oven is specifically designed to heat, cook, or dry food. It is not designed for industrial or laboratory use.
- As with any appliance, close supervision is necessary when used by children.
- Do not operate this appliance if it has a damaged cord or plug, if it is not working properly, or if it has been damaged or dropped.

- This appliance should be serviced only by qualified service personnel. Contact nearest authorized service facility for examination, repair, or adjustment.
- Do not cover or block any openings on the appliance.
- Do not store this appliance outdoors. Do not use this product near water – for example, near a kitchen sink, in a wet basement, near a swimming pool, or similar locations.
- Do not immerse cord or plug in water.
- Keep cord away from heated surfaces.
- Do not let cord hang over edge of table or counter.
- When cleaning surfaces of door and oven that comes together on closing the door, use only mild, nonabrasive soaps, or detergents applied with a sponge or soft cloth.
- To reduce the risk of fire in the oven cavity:
 - i) Do not overcook food. Carefully attend appliance when paper, plastic, or other combustible materials are placed inside the oven to facilitate cooking.
 - ii) Remove wire twist-ties from paper or plastic bags before placing bag in oven.
 - iii) If materials inside the oven ignite, keep oven door closed, turn oven off, and disconnect the power cord, or shut off power at the fuse or circuit breaker panel.
 - iv) Do not use the cavity for storage purposes. Do not leave paper products, cooking utensils, or food in the cavity when not in use.
- Liquids, such as water, coffee, or tea are able to be overheated beyond the boiling point without appearing to be boiling. Visible bubbling or boiling when the container is removed from the microwave oven is not always present. **THIS COULD RESULT IN VERY HOT LIQUIDS SUDDENLY BOILING OVER WHEN THE CONTAINER IS DISTURBED OR A UTENSIL IS INSERTED INTO THE LIQUID.**

- Notice for extension cord:
 - a) A short power-supply cord is provided to reduce the risks resulting from becoming entangled in or tripping over a longer cord.
 - b) Longer cord sets or extension cords are available and may be used if care is exercised in their use.
 - c) If a long cord or extension cord is used:
 - 1) The marked electrical rating of the cord set or extension cord should be at least as great as the electrical rating of the appliance.
 - 2) The extension cord must be a grounding-type 3-wire cord.
 - 3) The longer cord should be arranged so that it will not drape over the counter top or tabletop where it can be pulled on by children or tripped over unintentionally.

THE FOLLOWING BASIC PRECAUTIONS SHOULD ALWAYS BE FOLLOWED WHEN USING ELECTRICAL APPLIANCE:

- Read all instructions before using.
- Make sure the voltage in your living area corresponding to the one shown on the rating label of the appliance. And the wall socket is properly grounded.
- TO reduce the risk of fire in the oven cavity:
 - a. DO not overcook the food.
 - b. Remove wire twist -ties from paper or plastic bags before placing bags in the oven.
 - c. Do not heat oil or fat for deep frying as the temperature of oil cannot be controlled.
 - d. After use wipe the waveguide cover with a damp cloth, followed by dry cloth to remove any food splashes and grease. Built -up grease may overheat and begin to cause smoke or catch fire.
 - e. If materials inside the oven should smoke or ignite, keep oven door closed, turn oven off and disconnect the power supply.
 - f. Close supervision is necessary when using disposable containers made from plastic, paper or other combustible material.

- TO reduce the risk of explosion and sudden boiling:
 - a. Do not place sealed containers in the oven. Baby bottles fitted with a screw cap or teat are considered to be sealed containers.
 - b. When boiling liquid in the oven, use the wide -mouthed container and stand about 20 seconds at the end of cooking to avoid delayed eruptive boiling of liquids.
 - c. Potatoes, sausage and chestnut should be peeled or pierced before cooking. Eggs in their shell, whole hard -boiled eggs should not be heated in microwave ovens since they may explode, even after microwave heating has ended.
 - d. The cooked liquid should not be removed out immediately. Several moments should be waited before removing. In order to avoid possible hazards caused by delayed eruptive boiling of liquids.
 - e. The contents of feeding bottles and baby food jars are to be stirred or shaken and the temperature is to be checked before consumption, in order to avoid burns.

- Never operate the oven further if the door or door seals is damaged or the oven is malfunctioned or supply cord is damaged. Return the appliance to the nearest authorised service center for repair and maintenance. Never try to adjust or repair the oven yourself.

- If the supply cord is damaged, it must be replaced by the manufacturer or its service agent or a qualified technician in order to avoid a shock hazard.

- After cooking, the container is very hot. Using gloves to take out the food and avoid steam burns by directing steam away from the face and hands.

- Slowly lift the furthest edge of dishes cover and microwave plastic wrap and carefully open popcorn and oven cooking bags away from the face.

- TO prevent the turntable from breaking:
 - a. Let the turntable cool down before cleaning.
 - b. Do not place hot foods or utensils on the cold turntable.
 - c. Do not place frozen foods or utensils on the hot turntable.

- Make sure the utensils do not touch the interior walls during cooking.
- Failure to maintain the oven in a clean condition could lead to deterioration of the surface that could adversely affect the life of the appliance and possibly result in a hazardous situation.
- Only use utensils that are suitable for use in microwave ovens.
- Do not store food or any other things inside the oven.
- Do not operate the oven without any liquid or food inside the oven. This would do damage the oven.
- This appliance is not intended for using by young children or infirm persons without supervision.
- When the appliance is operated in the combination mode, children should only use the oven under adult supervision due to the temperatures generated.
- Any accessories not recommended by the manufacturer may cause injuries to persons.
- Do not use outdoors.
- Save these instructions.
- **WARNING:** If the door or door seals are damaged, the oven must not be operated until it has been repaired by a competent person.
- **WARNING:** It is hazardous for anyone other than a competent person to carry out any service or repair operation that involves the removal of a cover which gives protection against exposure to microwave energy.
- **WARNING:** Liquids and other foods must not be heated sealed container since they are liable to explode.

- **WARNING:** Only allow children to use the oven without supervision when adequate instructions have been given so that the child is able to use the oven in a safe way and understands the hazards of improper use.
- Only use utensils that are suitable for use in microwave ovens.

When heating food in plastic or paper containers, keep an eye on the oven due to the possibility of ignition.

- If smoke is observed, switch off or unplug the appliance and keep the door closed in order to stifle any flames.
- Microwave heating of beverages can result in delayed eruptive boiling, therefore care must be taken when handling the container.
- The contents of feeding bottles and baby food jars shall be stirred or shaken and the temperature checked before consumption, in order to avoid burns .
- Eggs in their shell and whole hard -boiled eggs should not be heated in microwave ovens since they may explode, even after microwave heating has ended.
- The oven should be cleaned regularly and any food deposits removed.
- Failure to maintain the oven in a clean condition could lead to deterioration of the surface that could adversely affect the life of the appliance and possibly result in a hazardous situation.
- During use the appliance becomes hot. Care should be taken to avoid touching heating elements inside the oven.
- **WARNING:** Accessible parts may become hot during use. Young children should be kept away.
- Do not use harsh abrasive cleaners or sharp metal scrapers to clean the oven door glass since they can scratch the surface, which may result in shattering of the glass.

- This appliance is not intended for use by persons (including children) with reduced physical, sensory or mental capabilities, or lack of experience and knowledge, unless they have been given supervision or instruction concerning use of the appliance by a person responsible for their safety.
- Children should be supervised to ensure that they do not play with the appliance.
- The appliances are not intended to be operated by means of an external timer or separate remote -control system.
- The temperature of accessible surfaces may be high when the appliance is operating.



: **CAUTION:HOT SURFACE**

Household use only

SAVE THESE INSTRUCTIONS.

PRECAUTIONS TO AVOID POSSIBLE EXPOSURE TO EXCESSIVE MICROWAVE ENERGY

(a) Do not attempt to operate this oven with the door open since open-door operation can result in harmful exposure to microwave energy. It is important not to defeat or tamper with the safety interlocks.

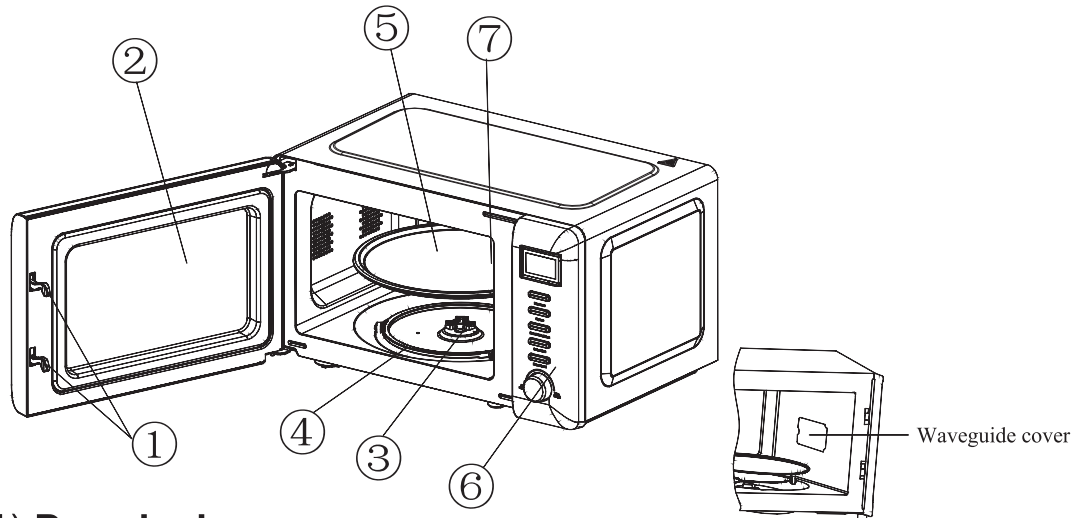
(b) Do not place any object between the oven front face and the door or allow soil or cleaner residue to accumulate on sealing surfaces.

(c) Do not operate the oven if it is damaged. It is particularly important that the oven door close properly and that there is no damage to the:

- (1) door (bent),
- (2) hinges and latches (broken or loosened),
- (3) door seals and sealing surfaces.

(d) The oven should not be adjusted or repaired by anyone except properly qualified service personnel.

PRODUCT INSTRUCTION



1) **Door lock**

Microwave oven door must be properly closed in order for it to operate

2) **Viewing window**

Allow user to see the cooking status

3) **Rotating axis**

The glass turntable sits on the axis; the motor underneath it drives the turntable to rotate

4) **Rotating ring**

The glass turntable sits on its wheels; it supports the turntable and helps it to balance when rotating

5) **Turntable**

The food sits on the turntable, its rotation during operation helps to cook food evenly

⚠ CAUTION

- Place the rotating ring first
- Fit the turntable onto the rotating axis and make sure that it is geared in properly

6) **Control panel**

See below in details (the control panel is subject to change without prior notice)

7) Outer cover

Used for wrapping and protecting the internal structural parts and electrical components of the whole machine.

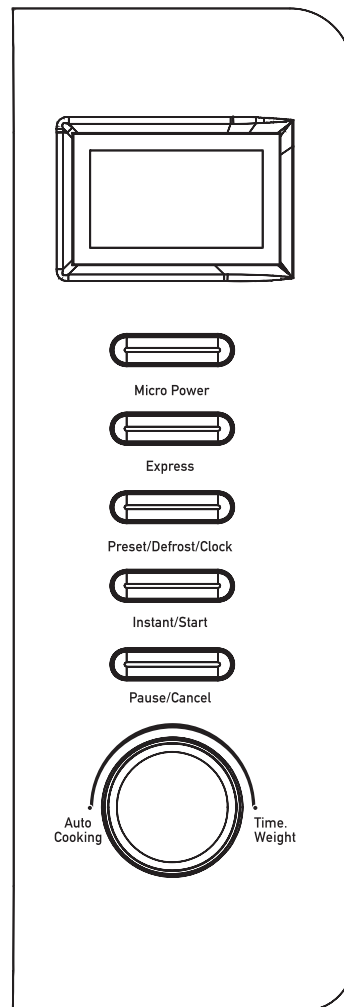
8) Waveguide cover

It is inside the microwave oven, next to the wall of control panel.



Never remove the waveguide cover.

OPERATION OF CONTROL PANEL



1. START

After the power is turned on, the display will flash 3 times, then enter the standby state.

2. “AUTO COOKING/TIME/WEIGHT” KNOB

When setting the cooking program, you can increase or decrease the cooking time and food weight by turning the “Auto Cooking/Time/Weight” knob. In standby mode, you can select a variety of automatic menus by turning the knob "Auto Cooking/Time/Weight" knob.

3. “PAUSE/CANCEL” FUNCTION

Press the “Pause/Cancel” button to cancel the set fire, cooking or defrosting procedure. When cooking, press the “Pause/Cancel” button once to pause, and press twice to cancel the procedure. When setting the cooking procedure, press this button to cancel the current setting.

4. AUTO REMINDER

When the cooking or defrost process is completed, you will hear 3 beeps. If the door is not opened or “Pause/Cancel” button is not pressed, the microwave will beep once every 3 minutes.

5. TIMER FUNCTION SETTING

In standby mode, press the "Clock" button for 3 seconds to enter the clock setting state, turn the "Time" knob to set the hour, press the "Clock" button once to enter the minute setting, turn the "Time" knob to set the minute, after setting the minute, finally press the "Clock" button to confirm the completion of the clock setting.

6. MICROWAVE COOKING

Press the "Micro Power" button, to select 100P (high power), 80P (medium high power), 60P (medium power), 40P (medium low power) and 20P (low power). After selecting the fire power, turn the "Time" knob to set the cooking time, which can set the maximum time as 60 minutes. After setting the time, press the "Start" button to start. After cooking, there will be a beep sound prompt.

100P	High power	100% microwave power. Applicable for quick and thorough cooking
80P	Medium High power	80% microwave power. Applicable for medium express cooking
60P	Medium power	60% microwave power. Applicable for steaming food
40P	Medium Low power	40% microwave power. Applicable for defrosting food
20P	Low power	20% microwave power. Applicable for keeping warm

 **CAUTION**

- 1) The max time which can be set is 60 minutes.
- 2) Never operate the oven empty. Do not use metal utensils to avoid damage to the microwave oven or danger.
- 3) During the operation, if you take out the food, close the oven door and press the “Start” button again, the preset procedure will continue.
- 4) If you intend to remove the food before preset time, you must press “Pause/Cancel” button once to clear the preset procedure to avoid unintended operation of next time use.
- 5) In order to avoid the long-term high-power work affecting the life of the microwave oven, after a certain period of high-power work. It will automatically reduce the power.

Example: To cook at P80 for 10 minutes.		
	Steps	Display
1	After power-up, the colon flashes	:
2	Select the desired microwave power by pressing Micro Power button consecutively	80P
3	Set cooking time by turning Auto Cooking/ Time. Weight knob	10:00
4	Press Instant/Start button to start and LED will count down to show running time.	

7. EXPRESS

In standby mode, press "Express" button LED display will cycle to show 0:30, 1:00, 1:30. After selection, press the "Start" button to start the microwave oven. The microwave oven works at high power. After cooking, there will be a beep sound prompt.

Example: To cook with express for 1 minute		
	Steps	Display
1	After power-up, the colon flashes	1:00
2	Press Express button consecutively to select desired menu	1:00
3	Start cooking by pressing Instant/Start button	

8. DEFROST

Press the "Defrost" button, and the display will cycle to show d.1、d.2 and d.3. After selecting the defrosting mode, turn the "Weight" knob to select the weight. After selecting the weight, press the "Start" button to start. During the defrosting process, there will be a beep to remind the user to turn over the food; after the defrosting, there will be a beep sound prompt.

d.1	For defrosting meat, the weight range from 3.5-70.0 oz
d.2	For defrosting poultry, the weight range from 7.0-98.0 oz
d.3	For defrosting seafood, the weight range from 3.5-31.5 oz

 **CAUTION**

- a. It is necessary to turn over the food during operation to obtain uniform effect.
- b. Usually defrosting will need longer time than that of cooking the food.
- c. If the food can be cut by knife, the defrosting process can be considered completed.
- d. Microwave penetrates around 4cm into most food
- e. Defrosted food should be consumed as soon as possible, it is not advised to put back to fridge and freeze again.

9. AUTO COOKING

There are 12 automatic menus A.1、 A.2、 A.3、 A.4、 A.5、 A.6、 A.7、 A.8. A.9、 A10、 A11、 A12. In the standby mode, turn the “Auto Cooking” knob to select the wanted menu. After selecting, press “Start” button to select the weight by turning the knob. Buzzing sound will notify the completion of the operation.

Display	Menu	Weight
A-01	Popcorn	Cooking weight (3.0oz, 3.5oz)
A-02	Potato	Cooking weight (16.0oz, 24.0oz)
A-03	Vegetable	Cooking weight (3.5oz, 7.0oz, 10.5oz, 14.0oz, 18.0oz)
A-04	Meat	Cooking weight (6.5oz, 10.5oz, 14.5oz, 18.5oz, 20.5oz, 24.0oz)

A-05	Fish	Cooking weight (6.5oz,10.5oz,14.5oz,18.5oz,20.5oz,24.0oz)
A-06	Chicken	Cooking weight (6.5oz,10.5oz,14.5oz,18.5oz,20.5oz,24.0oz)
A-07	Reheat	Cooking weight (7.0oz,14.0oz,21.0oz,28.0oz,35.0oz)
A-08	Beverage	Cooking weight (8.5oz, 17.0oz)
A-09	Rice	Cooking weight (3.5oz,7.0oz,10.5oz,14.0oz,18.0oz)
A-10	Pasta	Cooking weight (3.5oz,7.0oz,10.5oz,14.0oz,18.0oz)
A-11	Bread	Cooking weight (3.5oz,7.0oz,10.5oz,14.0oz,18.0oz)
A-12	Pizza	Cooking weight (1 piece, 2pieces)

CAUTION

1) The above procedure is designed according to the temperature of food at 20-25 °C. If the food is at different temperatures, the cooking effect will be different. Please adjust it according to the actual situation.

2) When cooking potatoes, etc., it is recommended to cover the food with a layer of wrap to prevent evaporation of water during cooking.

3) The shape, weight and temperature of the food will affect the cooking effect. When using the automatic cooking menu program, please follow the conditions mentioned. If the cooking effect is not satisfactory, please adjust it yourself.

Example: Steam 15oz fish		
	Steps	Display
1	After power-up	1:00
2	Turn Auto Cooking knob to set the cooking menu	A.5
3	Turn Time/ Weight knob to set the set weight	15oz
4	Start cooking by pressing Start button, and LED will count down to show running time.	

10. PRESET

If you do not want the menu be started immediately, you can preset the cooking menu and time and the preset menu will be automatically started at your set time. The setting will consist of 5 steps:

1. Press "Micro Power" button to select microwave firepower;
2. Turn the "Time" knob to set the time;
3. Press the "Preset" button for about 3 seconds to enter the preset state.
4. Turn the "Time" knob to set the hour. After setting the hour, press the "Preset" button to enter the minute setting, and turn the "Time" knob to set the minute
5. After setting for minutes, press the "Preset" button to complete the setting, and the buzzer will sound for a long time to prompt the completion of the setting

After the setting is completed, the microwave oven starts timing. During this time, you can press the "Preset/Destroy/ Clock" button to check the set preset time. When the clock runs to the set preset time, the microwave oven starts automatically. If you don't want to wait, you can press the "Start" button to start the microwave oven immediately.

11. MULTI-SEQUENCE COOKING

To obtain best cooking result, some recipes call for different cook mode and time. You may program your personalized menu as follow:

Example: You want cook food with 100P microwave for 3 minutes then 20P for 9 minutes. This is 2 sequence setting.		
	Steps	Display
1	100P microwave for 3min	
1.1	Press Micro Power button to select power level.	100P
1.2	Turn Auto Cooking/ Time. Weight knob to set cooking time.	3:00
2	20P for 9min	
2.1	Press Micro Power button to select desired menu	20P
2.2	Turn Auto Cooking/ Time. Weight knob to set cooking time.	9:00
3	Start cooking by pressing Instant/Start	

CAUTION

- a. When microwave 100 power cooking is finished, microwave oven will begin next operation automatically.
- b. Max 4 sequences can be set per time, repeat the steps

12. CHILD LOCK FUNCTION

Use this feature to lock the control panel when you are cleaning or so that children can not use the oven unsupervised. All the buttons are rendered inoperable in this mode.

- 1) Set lock: Hold **Pause/Cancel** button about 3 seconds.
- 2) Cancel lock: Hold **Pause/Cancel** button about 3 seconds.

UTENSILS GUIDELINE

It is strongly recommended to use the containers which are suitable and safe for microwave cooking. Generally speaking, the containers which are made of heat-resistant ceramic, glass or plastic are suitable for microwave cooking. Never use the metal containers for microwave cooking and combination cooking as spark is likely to occur. You can take the reference of below table.

Material of container	Microwave	Notes
Heat-resistant ceramic	Yes	Never use the ceramics which are decorated with metal rim or glazed
Heat-resistant plastic	Yes	Can not be used for long time microwave cooking
Heat-resistant glass	Yes	
Plastic film	Yes	It should not be used when cooking meat or chops as the over-temperature may do damage to the film
Grill rack	No	

COOKING TIPS

The following factors may affect the cooking result:

Food arrangement

Place thicker areas towards outside of dish, the thinner part towards the centre and spread it evenly. Do not overlap if possible.

Cooking time length

Start cooking with a short time setting, evaluate it after it times out and extend it according to the actual need. Over cooking may result in smoke and burns.

Cooking food evenly

Food such as chicken, hamburger or steak should be turned once during cooking.

Depending on the type of food, if applicable, stir it from outside to centre of dish once or twice during cooking

Allow standing time

After cooking times out, leave the food in the oven for an adequate length of time, this allows it to complete its cooking cycle and cooling it down in a gradual manner

Whether the food is done

Color and hardness of food help to determine if it is done, these include:

- Steam coming out from all parts of food, not just the edge
- Joints of poultry can be moved easily
- Pork or poultry shows no signs of blood
- Fish is opaque and can be sliced easily with a fork

Browning dish

When using a browning dish or self-heating container, always place a heat-resistant insulator such as a porcelain plate under it to prevent damage to the turntable and rotating ring.

Microwave safe plastic wrap

When cooking food with high fat content, do not allow the plastic wrap come into contact with food as it may melt

Microwave safe plastic cookware

Some microwave safe plastic cookware might not be suitable for cooking foods with high fat and sugar content. Also, the preheating time specified in the dish instruction manual must not be exceeded.

CLEANING

MICROWAVE OVEN CARE

CAUTION

The oven should be cleaned regularly and any food deposits removed.

WARNING

1. Remove the power cord from the wall outlet before cleaning. Don't immerse the appliance in water or other fluids when cleaning.
2. Failure to maintain the oven in a clean condition could lead to deterioration of the surface that could adversely affect the life of the appliance and possibly result in a hazardous situation
3. Never use hard detergent, gasoline, abrasive powder or metal brush to clean any part of the appliance
4. Do not remove the waveguide cover
5. When the microwave oven has been used for a long time, there may be some strange odors exist in oven, Following 3 methods can get rid of them:
 - a. Place several lemon slices in a cup, then heat with high Micro Power for 2-3 min.
 - b. Place a cup of red tea in oven, then heat with high micro power.

c. Put some orange peel into oven, and then heat them with high Micro Power for 1 minute.

6. WARNING: Only allow children to use the oven without supervision when adequate instructions have been given so that the child is able to use the oven in a safe way and understands the hazards of improper use;

TIPS FOR CLEANING

Details for cleaning door seals, cavity and adjacent parts:

Exterior:

Wipe the enclosure with a dampened soft cloth

Door:

Using a dampened soft cloth, wipe clean the door and window

Wipe the door seals and adjacent parts to remove any spill or spatter

Wipe the control panel with a slightly dampened soft cloth

Interior walls:

Wipe clean the cavity with a dampened soft cloth

Wipe clean the waveguide cover to remove any food splashed

Turntable/ Rotation ring/ Rotation axis:

Wash with mild soap water

Rinse with clean water and allow drying thoroughly

MAINTENANCE

SERVICING

Please check the following before calling for services.

1. Place one cup of water (approx. 150ml) in a glass measure in the oven and close the door securely. Oven lamp should go off if the door is closed properly. Let the oven work for 1 min.
2. Does the oven lamp light?
3. Does the cooling fan work?
(Put your hand over the rear ventilation openings.)
4. Does the turntable rotate?
(The turntable can rotate clockwise or counter clockwise. This is quite normal.)
5. Is the water inside the oven hot?

If "NO" is the answer to any of the above questions, please check your wall socket and the fuse in your meter box.

If both the wall socket and the fuse are functioning properly, CONTACT YOUR NEAREST SERVICE CENTER APPROVED.

SERVICING SAFEGUARDS

Caution: MICROWAVE RADIATION

1. The high voltage capacitor remains charge after disconnection; short the negative terminal of H. V capacitor to the oven chassis (use a screwdriver) to discharge before touching.
2. During servicing below listed parts are liable to be removed and give access to potentials above 250V to earth.
 - Magnetron
 - High voltage transformer
 - High voltage capacitor
 - High voltage diode
 - High voltage fuse

3. The following conditions may cause undue microwave exposure during servicing.

Improper fitting of magnetron;

Improper matching of door interlock, door hinge and door;

Improper fitting of switch support;

Door, door seal or enclosure has been damaged.

LIMITED WARRANTY

This warranty applies to products purchased and used in the U.S. and Canada. This is the only express warranty for this product and is in lieu of any other warranty or condition. This product is warranted to be free from defects in material and workmanship for a period of five (5) years from the date of original purchase in Canada and one

(1) year from the date of original purchase in the U.S. During this period, your exclusive remedy is repair or replacement of this product or any component found to be defective, at our option; however, you are responsible for all costs associated with returning the product to us and our returning a product or component under this warranty to you. If the product or component is no longer available, we will replace with a similar one of equal or greater value. This warranty does not cover glass, filters, wear from normal use, use not in conformity with the printed directions, or damage to the product resulting from accident, alteration, abuse, or misuse.

This warranty extends only to the original consumer purchaser or gift recipient. Keep the original sales receipt, as proof of purchase is required to make a warranty claim. This warranty is void if the product is used for other than single-family household use or subjected to any voltage and waveform other than as specified on the rating label (e.g., 120V ~ 60 Hz). We exclude all claims for special, incidental, and consequential damages caused by breach of express or implied warranty. All liability is limited to the amount of the purchase price. Every implied warranty, including any statutory

warranty or condition of merchantability or fitness for a particular purpose, is disclaimed except to the extent prohibited by law, in which case such warranty or condition is limited to the duration of this written warranty. This warranty gives you specific legal rights. You may have other legal rights that vary depending on where you live. Some states or provinces do not allow limitations on implied warranties or special, incidental, or consequential damages, so the foregoing limitations may not apply to you.



www.haden.com