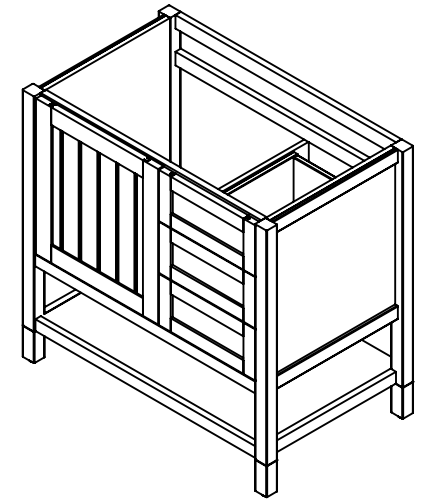
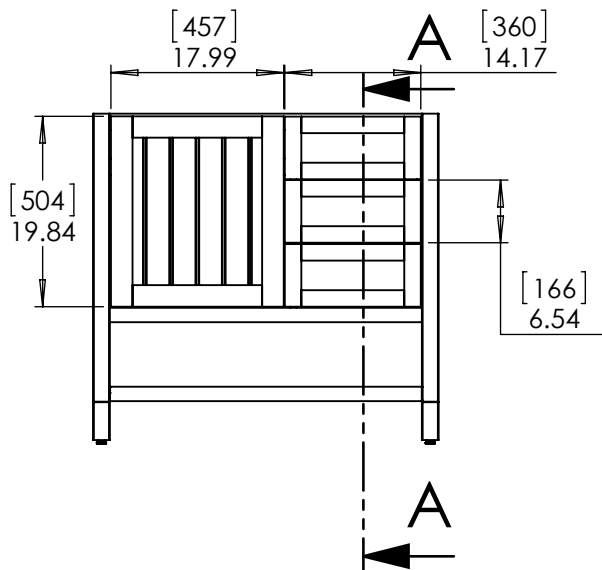


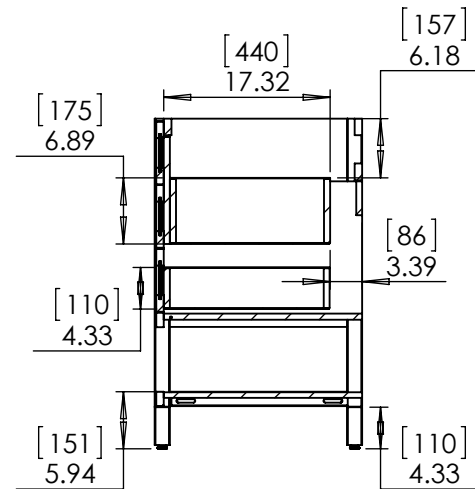
Top View



Isometric View

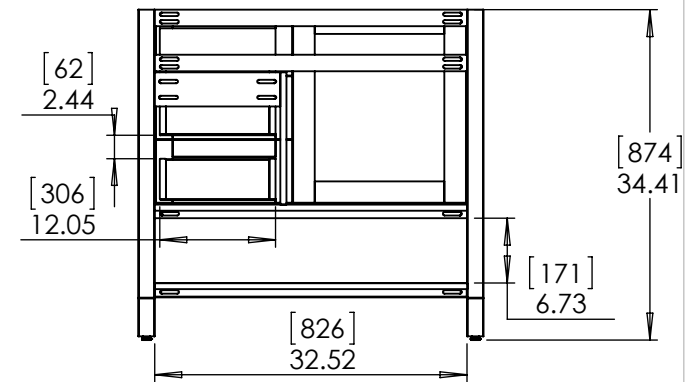


Front View



SECTION A-A

Side View



Back View

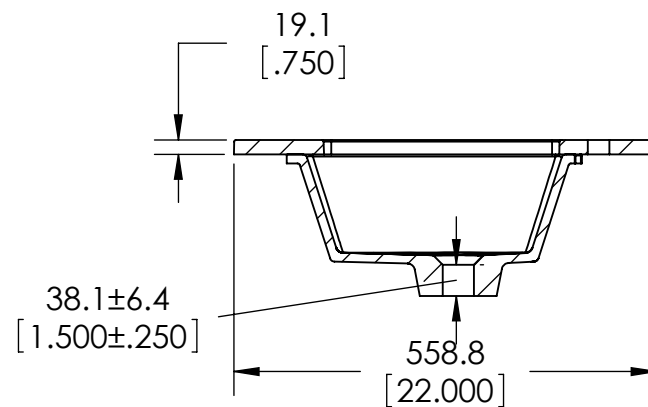
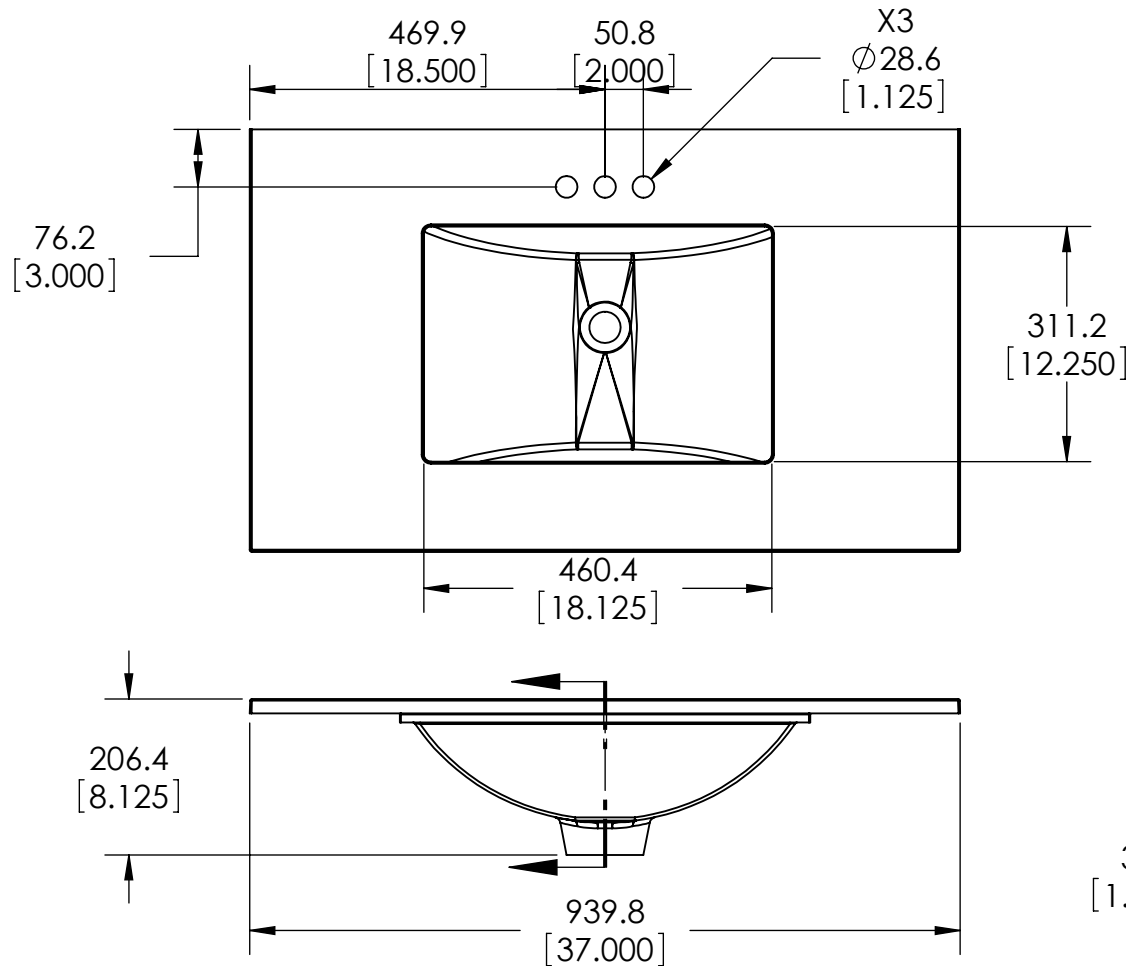
ITEM:	<b>LT36-WH</b>	REV	<b>A</b>
	<b>LT36-ST</b>		
NAME:	<b>Lancelton 36in</b>		



<b>Propiedad y Confidencialidad</b> La información contenida en este dibujo es puramente propiedad de Woodcrafters Home Products LLC. Queda prohibida cualquier reproducción parcial o total sin el permiso por escrito de Woodcrafters Home Product LLC.	DRAWING	ARB	04/10/19	MATERIAL: <b>German beech 4/4 Laminated Particle Board White/Sterling</b>
	REVIEW	ING	04/10/19	
	APPROVED	R&D	04/10/19	
	SCALE: 1:20	MODEL:	<b>Lancelton 36in</b>	

DRAWING TYPE	ITEM ID	ITEM DESCRIPTION	DRAWING STATUS
FINISH GOOD	SERST37COM-CO	SE / COLD FUSION	READY FOR PRODUCTION
FINISH GOOD	SERST37COM-RU	SE / RUSTIC GOLD	READY FOR PRODUCTION
FINISH GOOD	SERST37-WM	SE / WINTER MIST	READY FOR PRODUCTION
FINISH GOOD	SERST37COM-AV	SE / AVALON	READY FOR PRODUCTION
FINISH GOOD	SERST37COM-DN	SE / DUNE	READY FOR PRODUCTION
FINISH GOOD	SERST37COM-MI	SE / MAYAN IVORY	READY FOR PRODUCTION
FINISH GOOD	SSRST37COM-GI	SE / GINGER	READY FOR PRODUCTION
FINISH GOOD	CPRST37COM-MA	CP / MAUI	READY FOR PRODUCTION

REVISION #	DATE	CHANGE	APPROVAL
0	4/29/14	NEW DRAWING	R. CAZAREZ
1	6/25/14	NEW ITEMS ID'S	R. CAZAREZ
2	7/1/14	UPDATED DIM.	R. CAZAREZ
3	9/04/14	RELEASED	R. CAZAREZ
4			



NOTE: MAX. WARPAGE TOLERANCE 1/8"

**PROPRIETARY AND CONFIDENTIAL**  
 THE INFORMATION CONTAINED IN THIS DRAWING IS THE SOLE PROPERTY OF WOODCRAFTERS. ANY REPRODUCTION IN PART OR AS A WHOLE WITHOUT THE WRITTEN PERMISSION OF WOODCRAFTERS IS PROHIBITED.

UNLESS OTHERWISE SPECIFIED  
 DIMENSIONS ARE IN MM. AND [INCHES]  
 TOLERANCES ARE  
 +3.175 [.125] - 3.175 [0.125]  
 SCALE:1:10

	NAME	DATE
DRAWN	R. CAZAREZ	APR/29/2014
CHECKED	E. SANDOVAL	SEP/04/2014
ENG APPR.	V. SANCHEZ	SEP/04/2014
MFG APPR.	C. LEAL	SEP/04/2014

  
 SIZE DWG. NO. **A** VTOP - SE 37 X 22 - SQUARE PROFILE - LARGE REC UM - 4IN  
 SHEET 1 OF 1