

ivation

STEAM CLEANER USER GUIDE

IVASTEAMR20



Thank you for purchasing the Ivation® Steam Cleaner. This User Guide is intended to provide you with guidelines to ensure that operation of this product is safe and does not pose risk to the user. Any use that does not conform to the guidelines described in this User Guide may void the limited warranty.

Please read all directions before using the product and retain this guide for reference. This product is intended for household use only. It is not intended for commercial use.

This product is covered by a limited one-year warranty. Coverage is subject to limits and exclusions. See warranty for details.

TABLE OF CONTENTS

2	SAFETY PRECAUTIONS
2	PACKAGE CONTENTS
3	PARTS
3	UNDERSTANDING THE STEAM CLEANER
4	FILLING THE STEAM CLEANER
4	ATTACHING ACCESSORIES
6	USING THE STEAM CLEANER
7	CARE AND MAINTENANCE
7	TROUBLESHOOTING
8	SPECIFICATIONS

SAFETY PRECAUTIONS

- Never touch any of the attachments while the steam cleaner is in use, as they will be very hot and could burn skin.
- Never point the steam cleaner at yourself, other people, or pets.
- If excessive steam comes out of the fill cap, stop using the device, turn it off, and disconnect it immediately.
- The pressure indicator needle (manometer) should be in the red zone. The normal operating pressure is around 65PSI. If the needle exceeds this limit, stop the device and squeeze the trigger to release pressure and steam. If the needle is in the yellow zone, the pressure is insufficient.
- Never use the device without water in the tank.
- Do not open the fill port during use.
- Never operate the appliance without tightening the cap securely.
- Do not overfill the water tank. The maximum capacity is 3.8 pints (1.8 L) of water. Excessive filling of the water tank may cause malfunctions, property damage, or injury.
- Never turn or tilt the unit more than 45° when it is on or if it still produces steam.
- Do not attempt to repair this appliance. There are no user-serviceable parts.
- If the power cable is damaged, contact Ivation® customer support to get a replacement. Do not use the unit if the power cable is damaged.
- Do not submerge the unit in water or any other liquid.
- This appliance should not be used by children or persons with reduced physical, sensory, or mental capabilities, or lack of experience and knowledge, unless they are closely supervised at all times, and/or have received extensive instruction and training on how to use this device by a person responsible for their safety.
- Keep the device and its cable out of the reach of children. Cleaning and maintenance should not be done by children.
- Keep hair, loose clothing, fingers, feet, and all body parts away from the jet of steam.
- Do not use this product barefoot or with open shoes or sandals.
- The appliance must not be left unattended when connected to the power.
- Always disconnect the unit when not in use, left unattended, after use, and before servicing. Stop all controls before unplugging.
- When moving the unit, always use the built-in handle.
- Do not touch the hose, as it will be hot when in use.
- Check the condition of the parts and electrical cable before each use.
- Always use a grounded socket to plug in the unit.
- Do not turn on the unit if it is damaged. Do not use the unit if it has dropped, if there are visible signs of damage, or if there is a leak.
- Do not pull or carry the unit by its electrical cable.
- Do not close a door on the power cable or pull it against sharp edges or corners.
- Do not unplug by pulling on the power cable. To unplug, always grasp the plug, not the power cable.
- Never handle the plug or appliance with wet hands
- Never use product to clean electrical appliances. Never direct steam or water to appliances containing electrical components, such as inside an oven.
- Keep the power cable away from heated surfaces. Do not store or use near flammable materials.
- Do not place the unit on or under insulation such as blankets, towels, or papers.
- Always store the unit in a dry place.
- Do not expose the unit to frost.
- Only use the original accessories included in the box. Using incompatible accessories may result in a safety risk to the user.
- Store the product indoors, out of reach of children.
- Do not attempt to use this product to heat a room.



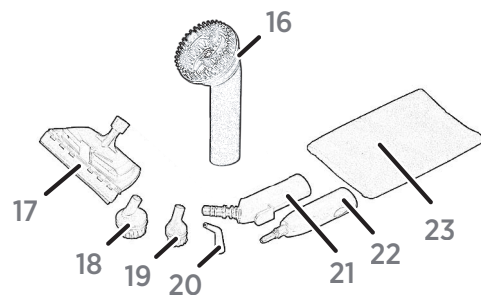
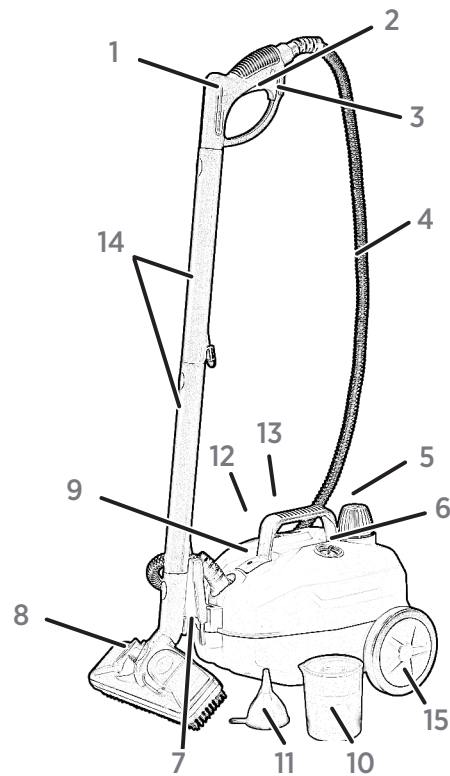
CAUTION: Connect to a properly grounded outlet only. Risk of electric shock.

PACKAGE CONTENTS

Steam cleaner	Round bristle brush (small)	Cleaning cloth
Rotating brush	Angled power jet tip	Measuring cup
Window squeegee	Floor scrub brush adapter	Funnel
Round bristle brush (large)	Small tip adapter	User guide

PARTS

1. Steam handle
2. Steam trigger
3. Steam trigger lock latch
4. Steam hose
5. Tank fill cap
6. Pressure gauge
7. Brush holder
8. Floor scrub brush
9. Carry handle
10. Measuring cup
11. Funnel
12. On/off switch
13. Heat light
14. Extension tubes
15. Wheel
16. Rotating brush
17. Window squeegee
18. Round bristle brush (large)
19. Round bristle brush (small)
20. Angled power jet tip
21. Floor scrub brush adapter
22. Small tip adapter
23. Cleaning cloth



UNDERSTANDING THE STEAM CLEANER

- During use, the orange steam indicator light may turn on again. This means that the steam pressure may be too low. If this happens, release the steam trigger for a few seconds. When the orange steam indicator light turns off again, you can resume using the product.
- If the pressure drops too low, the pressure gauge will appear in the yellow zone. This means that the steam flow may not be sufficient, depending on the accessory used. If this happens, release the steam trigger and wait until the pressure gauge reaches the red zone again.
- When activating the steam trigger initially, water may come out instead of steam. This is normal, as it can take some time for the water in the unit to convert into steam. Wait a little bit, and steam should start to come out instead of water.
 - If there is still water coming out, it may be residual water trapped in the hose from the previous use. If this happens, point the handle over a bucket or sink and pull the steam trigger until the water is drained from the unit.

- When using this product, the surface you are cleaning may become wet. This is because the steam reverts back to a liquid state upon coming into contact with the surface. Simply wipe away the moisture with a sponge or a cloth.

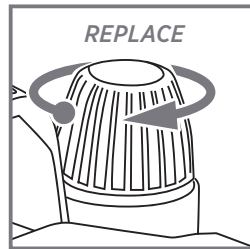
FILLING THE STEAM CLEANER

Before filling the steam cleaner, follow the precautions below:

- Make sure the unit is off, unplugged, and has been given time to cool for at least ten (10) minutes.
- Unlock the steam trigger to ensure there is no more steam coming from the unit.
- If you are living in an area with hard water, it is recommended to use distilled or filtered water instead.

Note: The maximum water capacity of the water tank is four (4) pints. However, it is not recommended to fill the tank to max capacity. Instead, fill it no more than 3.8 pints.

1. Turn the cap counterclockwise to remove it.
2. Use the included funnel and measuring cup to carefully fill the water tank. Be careful not to overfill it.
3. Replace the cap, turning it clockwise until it is sealed.

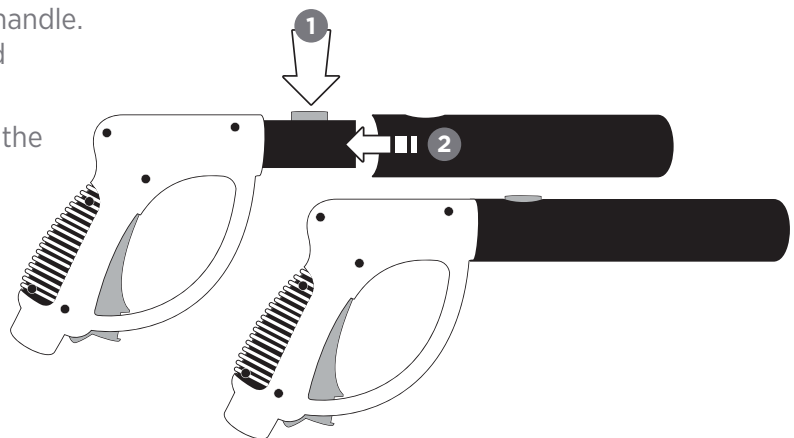


Note: if the cap will not unscrew, reduce the pressure in the unit by squeezing the steam trigger.

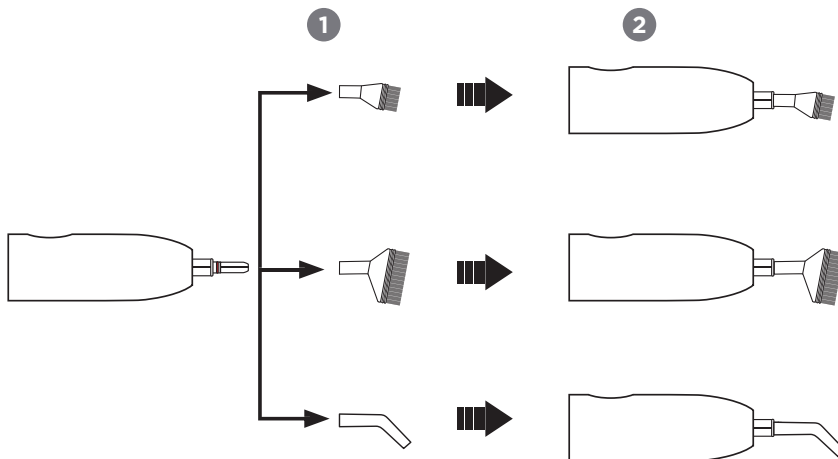
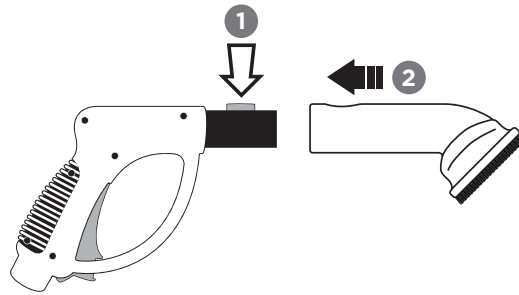
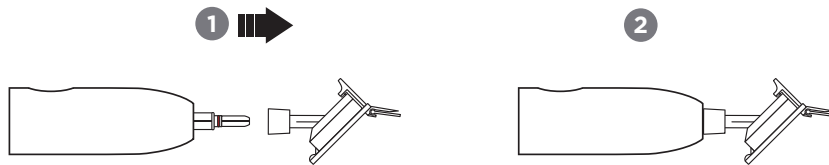
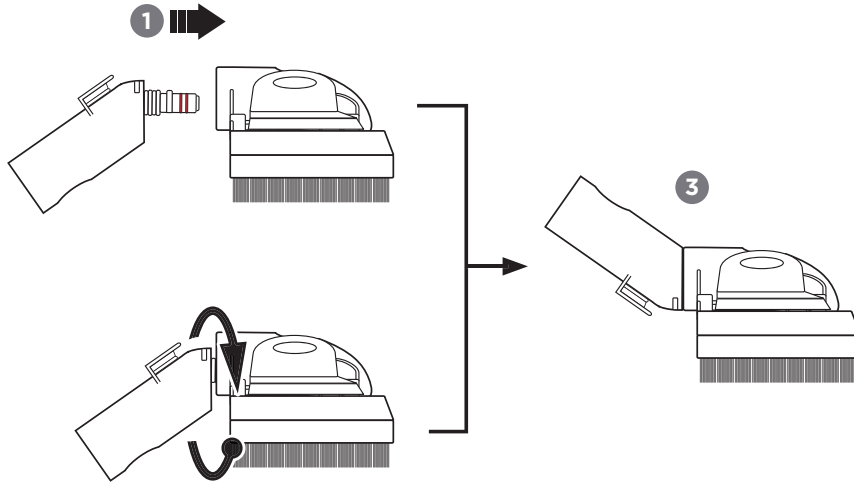
ATTACHING ACCESSORIES

IMPORTANT: Be sure to attach the accessories **BEFORE** turning on the unit. Otherwise, there is a risk of experiencing severe burns.

1. Press and hold the button located on the handle. While holding it down, slide on the desired attachment.
2. When the attachment is securely in place, the button will raise to lock it in place.



3. Use the various accessories for multiple cleaning solutions.



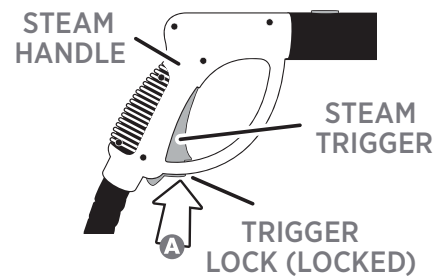
USING THE STEAM CLEANER

1. Fill the steam cleaner, as described above.
2. Attach the desired accessories to the handle by pressing in the buttons and sliding the attachment into place.
3. Plug the unit into a grounded outlet, then flip the power switch to the “O” position. The indicator light and the orange steam light will illuminate.
4. When the appliance is ready for use, the orange steam indicator light will turn off and the pressure gauge will enter the red zone.
5. Go into a cleaning frenzy.
6. When you are finished, flip the power switch to the “|” position, and unplug the unit.

Note: The steamer can run for up to 25 minutes before it will automatically power off.

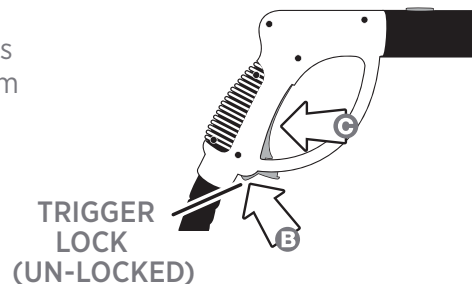
Handle Operation

The handle of the steam cleaner is equipped with a safety lock. To use the handle, click the steam trigger lock latch into the “ON” position. When the steam cleaner is not in use, always switch it back to the “OFF/LOCK” position.



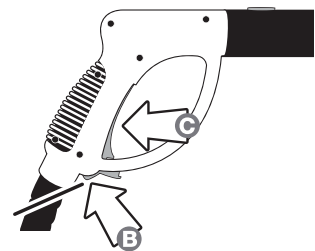
Releasing Steam

When the pressure gauge enters the red zone, the steam cleaner is ready for use. Once you’ve unlocked the handle, squeeze the steam trigger to release a burst of steam.



Continuous Steam Operation

The steam cleaner can be run continuously without holding down the steam trigger. After unlocking the handle, squeeze the steam trigger. Before letting go, switch the handle back into the locked position.



Note: continuous steam is only recommended when releasing excess steam before emptying and storing the unit.

CARE AND MAINTENANCE

Cleaning the Water Tank

DO NOT USE DETERGENT TO CLEAN THE TANK.

1. Mix a 50/50 solution of one (1) cup (250 mL) white vinegar and one (1) cup (250 mL) water.
2. Pour the solution into the unheated tank using the funnel.
3. Leave the solution in the tank for about 30 minutes.
4. After 30 minutes, empty the tank.
5. Repeat steps 1–4, if necessary.
6. Rinse well with water.
7. Replace the tank fill cap and store in a safe and dry place.

Storage

- Turn off the power and unplug the unit.
- Always empty the unit after use. Never leave water in the tank when storing.
- Release all remaining tank pressure by squeezing the steam trigger.
- Allow the unit to cool completely, at least ten (10) minutes.
- When the appliance is cool, lock the steam trigger and remove the accessories.
- Empty all remaining water from the tank. Never leave water in the tank when the unit is not in use.
- Replace the fill cap and store the unit in a safe and dry place.

TROUBLESHOOTING

Problem	Possible Cause	Probable Solution
There is no steam coming out.	The hose may be bent.	Check the hose.
	The water tank may be empty.	Refill the water tank.
The fill cap will not come off.	The cap is designed to lock in place when the unit is under pressure.	Release the pressure by releasing the steam trigger.
The steam flow is irregular and the unit makes a coughing noise.	There may be blockage preventing the steam from flowing freely.	Clean the water tank.
There is condensed water on the pressure gauge.	This is normal.	This issue will disappear in a short amount of time.
The unit will not heat up.	The unit is not plugged in.	Check the plug and/or power supply.
	The unit may be damaged.	Disconnect from power immediately and contact Ivation® customer support.
Water is coming out instead of steam.	Steam is condensed in the hose.	Direct the handle towards a bucket or sink and release the excess water.
	The water is not hot enough.	Wait for the steam pressure to increase.
	The water tank is overfilled.	Turn off the power. Allow the unit to cool down, then drain the excess water.
The attachment will not stay connected.	The adapter is not inserted on the button of the tube.	Make sure that the spring button is fully in the hole.
The handle is very hot.	This is normal, as steam is naturally hot.	If this is an issue, try wearing gloves.

SPECIFICATIONS

Steam compartment material: stainless steel

Max temperature: 338°F (170°C)

Max pressure: 65 PSI (5 bar)

Working pressure: 29–65 PSI (2–5 bar)

Water tank capacity: 3.8 pints (1.8 L)

Max tank fill capacity: 4 pints (1.95 L)

Power consumption: 1800 W

Intensity: 15.0 A

Voltage: 120 V

Frequency: 60 Hz

Warm up time: 7 min.

Tube length (from steamer body to gun): 1.45m from steamer body to gun

Net weight (empty): 8 lbs. (3.6 kg)

QUESTIONS OR PROBLEMS? CONTACT US!
info@myivation.com | 1-866-849-3049

IVATION is a trademark of C&A IP Holdings, LLC, in the U.S, Canada, and the EU.

All other products, brand names, company names, and logos are trademarks of their respective owners, used merely to identify their respective products, and are not meant to connote any sponsorship, endorsement, or approval.

Distributed by C&A Marketing, Inc., 114 Tived Lane East, Edison, NJ 08837. Made in China.

© 2019. C&A IP Holdings, LLC. All Rights Reserved.