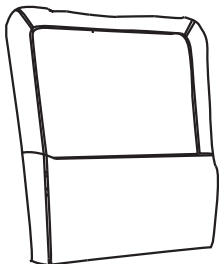
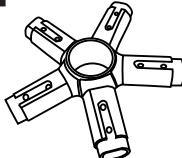


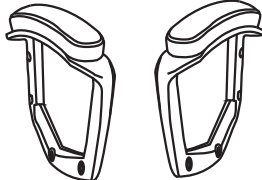

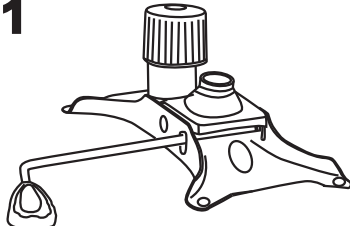
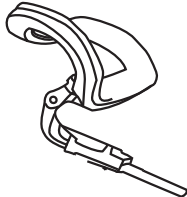






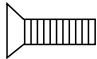






Installation Guide

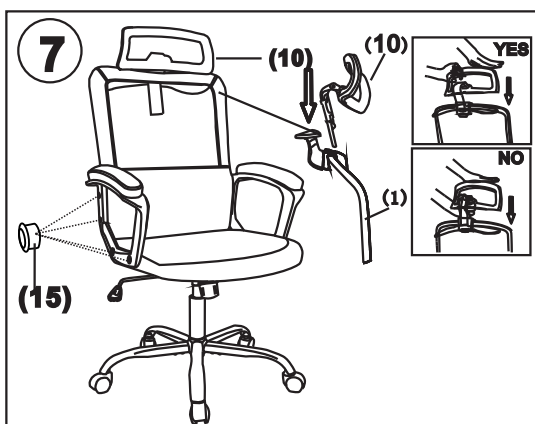
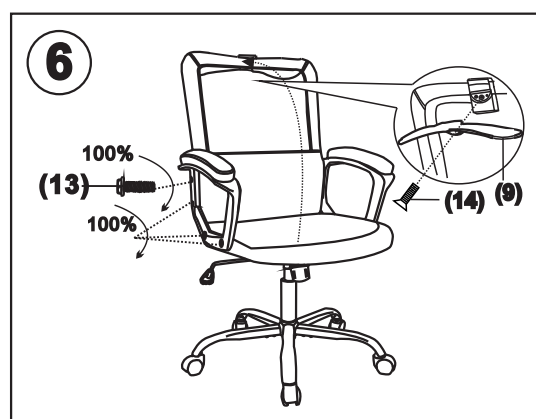
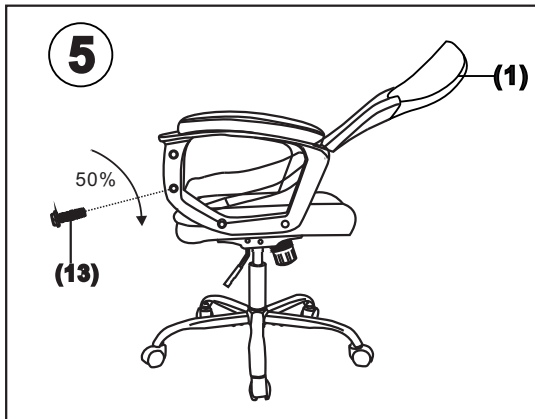
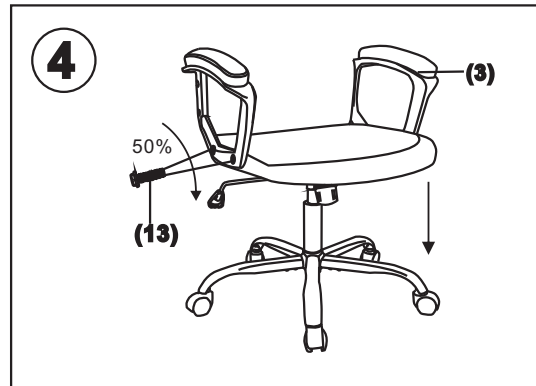
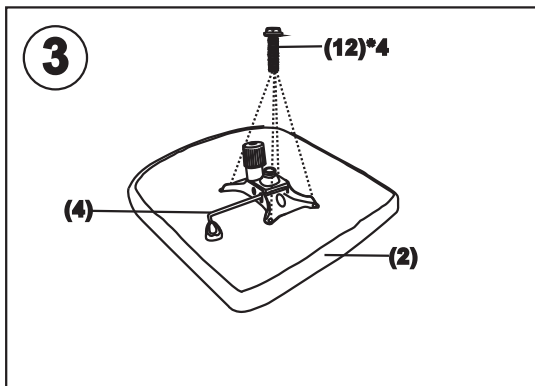
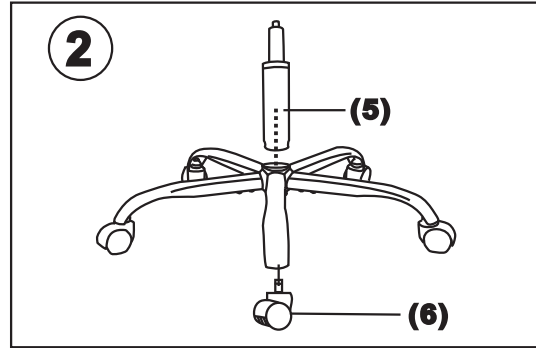
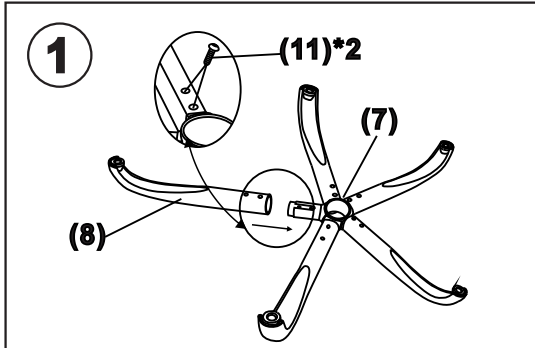


PRODUCT DETAILS\Detallas de Productos\Produktdetails

Parts List\Lista de componente\Teile Liste

<p>(1)X1</p> 	<p>(7)X1</p> 	
<p>(2)X1</p> 	<p>(8)X5</p> 	
<p>(3)X1(L)X1(R)</p> 	<p>(9)X1</p> 	
<p>(4)X1</p> 	<p>(10)X1</p> 	
<p>(5)X1</p> 	<p>(11)X10</p> 	
<p>(6)X5</p> 	<p>(12)X4</p> 	<p>(13)X8</p> 
<p>(6)X5</p> 	<p>(14)X1</p> 	<p>(15)X8</p> 
<p>(6)X5</p> 	<p>(16)X1</p> 	<p>(16)X1</p> 

Installation Guide/Guia de instalación/Installationsanleitung



Function Instruction/Instrucción de Función/Funktionsanweisung

