

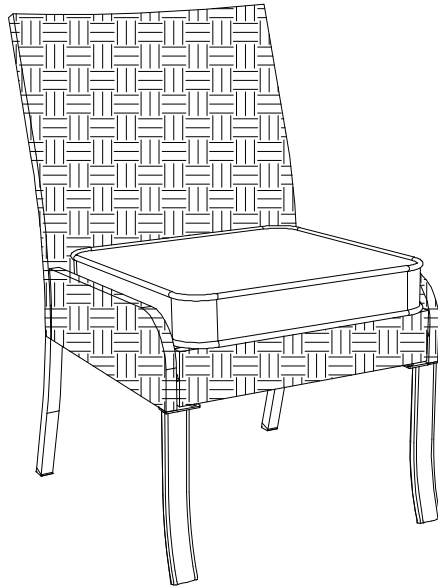
Item # 1000 000 000

Model: A211043802

HAMPTON BAY®

USE AND CARE GUIDE

WINDSOR ARMLESS CHAIR - BARE



Questions, problems, missing parts? Before returning to the store,
call Hampton Bay Customer Service
8 a.m. - 7 p.m., EST, Monday-Friday, 9 a.m. - 6 p.m., EST, Saturday

1-855-HD-HAMPTON

HAMPTONBAY.COM

THANK YOU

We appreciate the trust and confidence you have placed in Hampton Bay through the purchase of this chair. We strive to continually create quality products designed to enhance your home. Visit us online to see our full line of products available for your home improvement needs. Thank you for choosing Hampton Bay!

Table of Contents

Table of Contents	2	Pre-Assembly	3
Important Safety Instructions	2	Planning assembly	3
Warranty	2	Hardware Included	3
What is Covered	2	Package Contents	3
What is Not Covered	2	Assembly	4
		Care and Cleaning	5

Important Safety Instructions

SAVE THESE INSTRUCTIONS

READ ALL INSTRUCTIONS BEFORE USE

To reduce the risk of injury to persons:

1. Close supervision is necessary when this furnishing is used by, or near children, or disabled persons.
2. Use this furnishing only for its intended use as described in these instructions. Do not use attachments not recommended by the manufacturer.
3. Some parts may contain sharp edges. Wear protective gloves.
4. Please count the parts before assembly.
5. Set up your furniture properly. Ensure that all parts are assembled properly and fully tightened as per instructions. When placing in the desired location, ensure that all legs are resting on the same surface. You may adjust the leg levelers as required to ensure that the item stands in a level position.

6. Examine occasionally to ensure that there are no loose parts. If loose parts are found, they must be re-tightened fully before additional use.



DANGER: Keep children and parts away from the assembly area.



WARNING: To avoid destroying the finish, please handle the surface by using a soft cloth instead of your bare hands. Due to the nature of iron, surface oxidation (rusting) will occur once these protective coatings are scratched. We recommend immediate touch-up with rust inhibiting paint (not included).



CAUTION: Do NOT over tighten any of the bolts or nuts.

Warranty

2 YEAR WARRANTY

WHAT IS COVERED

This limited warranty is extended to the original purchaser and applies to defects in materials and workmanship of your item provided the item is maintained with care and used only for personal, residential purposes. The item is warranted to be free from defects in material or workmanship for a period of 2 years.

WHAT IS NOT COVERED

We do not reimburse for transportation of delivery costs, or compensate the individual or any outside party for assembling or disassembling the product.

Contact the Customer Service Team at 1-855-HD-HAMPTON or visit HAMPTONBAY.COM.

Production Number: 2020xxxxxx

Pre-Assembly

PLANNING ASSEMBLY

Before beginning assembly of this product, make sure all parts are present. Compare parts with the Hardware Included and Package Contents lists. If any part is missing or damaged, do not attempt to assemble the product. Contact customer service for replacement parts.

HARDWARE INCLUDED

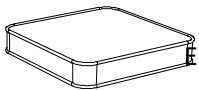


NOTE: Hardware not shown to actual size.



Part	Part Number	Description	Quantity
AA	H010030030	Bolt M6*15	4
BB	H010030023	Bolt M6*35	12
CC	H050020011	Spring Washer M6	16
DD	H050010023	Flat Washer M6	16
EE	H090030002	Wrench M6	1

PACKAGE CONTENTS



Part	Part Number	Description	Quantity
A	P001500059	Back	1
B	P005400412	Leg (Left)	1
C	P005400413	Leg (Right)	1
D	P001600192	Seat	1
E	P001800125	Cushion	1

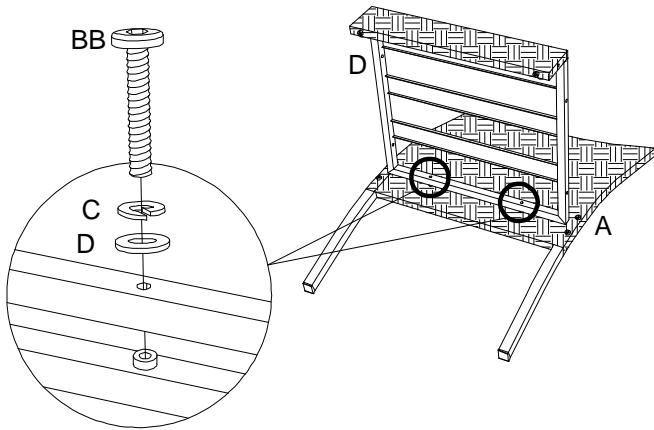
Assembly

1 Attaching the Back

- Attach the back (A) to the seat (D) using bolts (BB), spring washer (CC) and flat washer (DD), There are total 2 bolts, do not tighten the bolts. Wrench (EE) is used in the step.



NOTE: To avoid destroying the finish, do not put the parts on the ground directly.

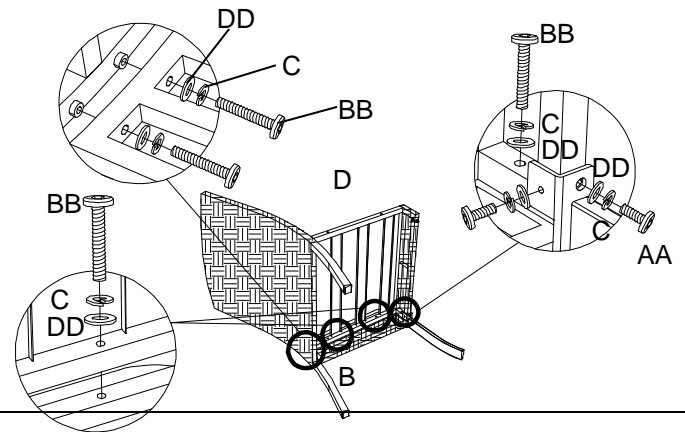


2 Attaching the Leg (Left)

- Attach the leg (B) to the assembled seat (D) using bolts (AA), spring washer (BB) and flat washer (CC), There are total 7 bolts, do not tighten the bolts. Wrench (EE) is used in the step.



NOTE: To avoid destroying the finish, do not put the parts on the ground directly.

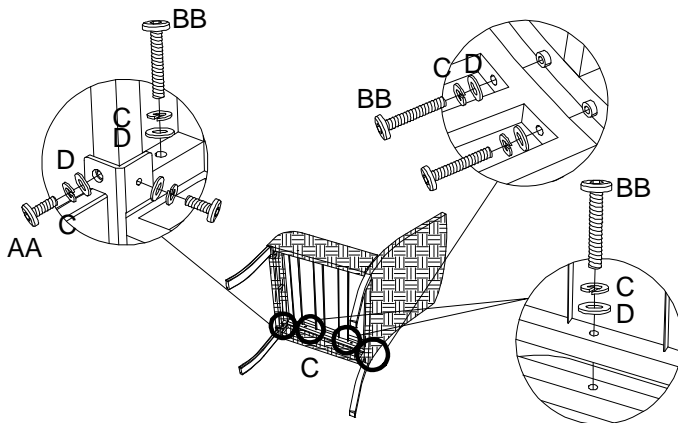


3 Attaching the Leg (Right)

- Attach the leg (C) to the assembled seat (D) using bolts (AA), Spring washer (BB) and Flat washer (CC), There are total 7 bolts, fully tighten the all bolts. Wrench (EE) is used in the step.



NOTE: To avoid destroying the finish, do not put the parts on the ground directly.

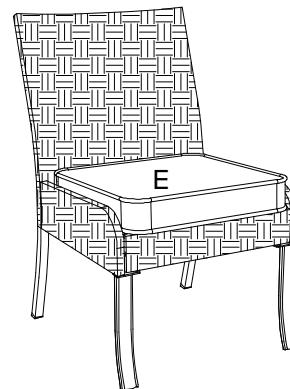


4 Placing the Cushion

- Place the cushion (E) on the seat (D).



NOTE: To avoid destroying the finish, do not put the parts on the ground directly.



Care and Cleaning

- Before using, clean the sectional completely with a soft dry towel.
- Do not use harsh abrasives or cleaners.
- When not in use, store in a cool, dry area.

HAMPTON BAY[®]

Questions, problems, missing parts? Before returning to the store,
call Hampton Bay Customer Service
8 a.m. - 7 p.m., EST, Monday-Friday, 9 a.m. - 6 p.m., EST, Saturday

1-855-HD-HAMPTON

HAMPTONBAY.COM

Retain this manual for future use.

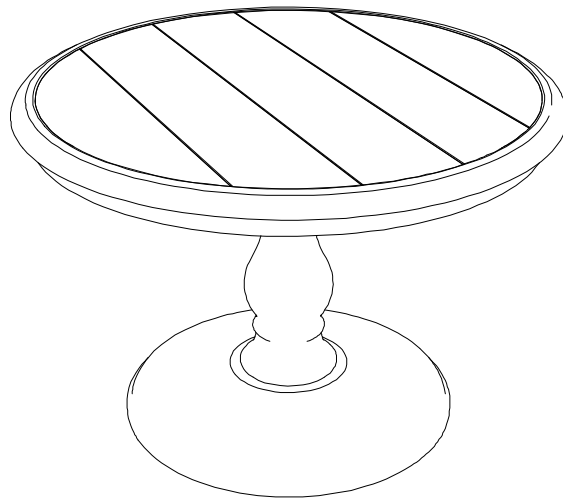
Item # 1000 000 000

Model: A208024100

HAMPTON BAY®

USE AND CARE GUIDE

WINDSOR ROUND DINING TABLE



Questions, problems, missing parts? Before returning to the store,
call Hampton Bay Customer Service
8 a.m. - 7 p.m., EST, Monday-Friday, 9 a.m. - 6 p.m., EST, Saturday

1-855-HD-HAMPTON

HAMPTONBAY.COM

THANK YOU

We appreciate the trust and confidence you have placed in Hampton Bay through the purchase of this table. We strive to continually create quality products designed to enhance your home. Visit us online to see our full line of products available for your home improvement needs. Thank you for choosing Hampton Bay!

Table of Contents

Table of Contents	2	Pre-Assembly	3
Important Safety Instructions	2	Planning assembly	3
Warranty	2	Hardware Included	3
What is Covered	2	Package Contents	3
What is Not Covered	2	Assembly	4
		Care and Cleaning	5

Important Safety Instructions

SAVE THESE INSTRUCTIONS

READ ALL INSTRUCTIONS BEFORE USE

To reduce the risk of injury to persons:

1. Close supervision is necessary when this furnishing is used by, or near children, or disabled persons.
2. Use this furnishing only for its intended use as described in these instructions. Do not use attachments not recommended by the manufacturer.
3. Some parts may contain sharp edges. Wear protective gloves.
4. Please count the parts before assembly.
5. Set up your furniture properly. Ensure that all parts are assembled properly and fully tightened as per instructions. When placing in the desired location, ensure that all legs are resting on the same surface. You may adjust the leg levelers as required to ensure that the item stands in a level position.

6. Examine occasionally to ensure that there are no loose parts. If loose parts are found, they must be re-tightened fully before additional use.



DANGER: Keep children and parts away from the assembly area.



WARNING: To avoid destroying the finish, please handle the surface by using a soft cloth instead of your bare hands. Due to the nature of iron, surface oxidation (rusting) will occur once these protective coatings are scratched. We recommend immediate touch-up with rust inhibiting paint (not included).



CAUTION: Do NOT over tighten any of the bolts or nuts.

Warranty

2 YEAR WARRANTY

WHAT IS COVERED

This limited warranty is extended to the original purchaser and applies to defects in materials and workmanship of your item provided the item is maintained with care and used only for personal, residential purposes. The item is warranted to be free from defects in material or workmanship for a period of 2 years.

WHAT IS NOT COVERED

We do not reimburse for transportation of delivery costs, or compensate the individual or any outside party for assembling or disassembling the product.

Contact the Customer Service Team at 1-855-HD-HAMPTON or visit HAMPTONBAY.COM.

Production Number: 2020xxxxxxx

Pre-Assembly

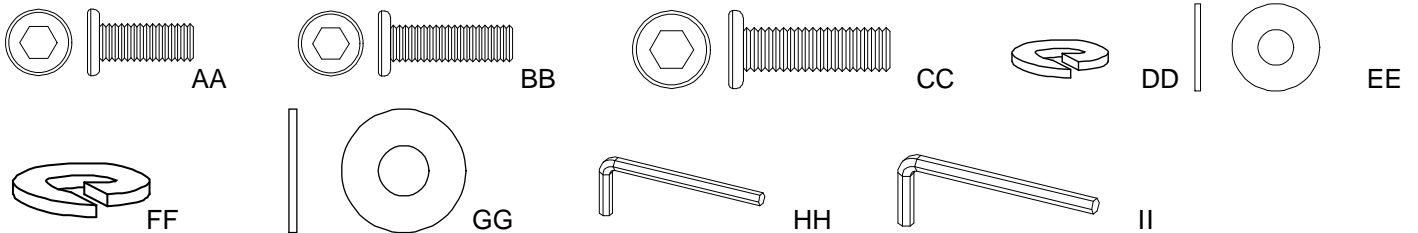
PLANNING ASSEMBLY

Before beginning assembly of this product, make sure all parts are present. Compare parts with the Hardware Included and Package Contents lists. If any part is missing or damaged, do not attempt to assemble the product. Contact customer service for replacement parts.

HARDWARE INCLUDED



NOTE: Hardware not shown to actual size. To avoid destroying the finish, do not put the parts on the ground directly.



Part	Part Number	Description	Quantity
AA	H010030030	Bolt M6*15	8
BB	H010030032	Bolt M6*20	8
CC	H010030027	Bolt M8*20	8
DD	H050020011	Spring washer M6	16
EE	H050010023	Flat washer M6	16
FF	H050020016	Spring washer M8	8
GG	H050010017	Flat washer M8	8
HH	H090030002	Wrench M6	1
II	H090030005	Wrench M8	1

PACKAGE CONTENTS



Part	Part Number	Description	Quantity
A	P002100355	Table Top	1
B	P005400438	Leg	1
C	P000100348	Base	1
D	P005000447	Connect Bar	4

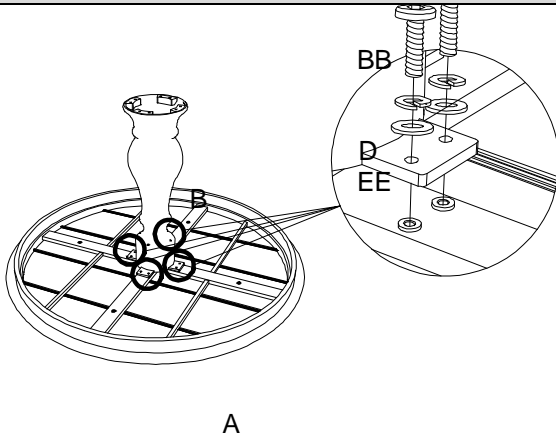
Assembly

1 Attaching the Leg

- Attach the legs (B) to the table top (A) using bolts (BB), spring washers (DD) and flat washers (EE). There are total 4 bolts, do not tighten the bolts. Wrench (HH) is used in the step.



NOTE: To avoid destroying the finish, do not put the parts on the ground directly.

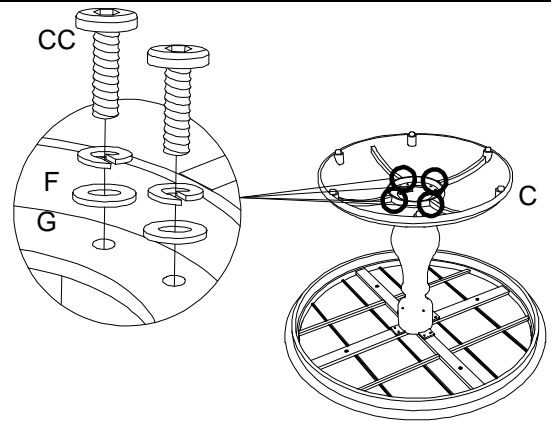


2 Attaching the Base

- Attach the base (C) to the leg (B) using bolts (CC), spring washers (FF) and flat washers (GG). There are total 4 bolts, do not tighten the bolts. Wrench (II) is used in the step.



NOTE: To avoid destroying the finish, do not put the parts on the ground directly.

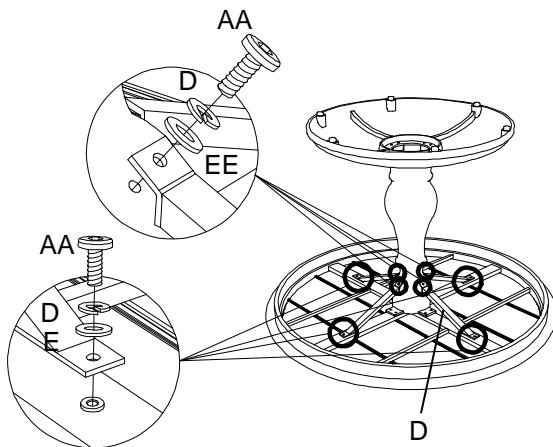


3 Attaching the Connect Bar

- Connect the connect bar (D) and assembled table top (A) using bolts (AA), spring washers (DD) and flat washers (EE). There are total 8 bolts, fully tighten the all bolts. Wrench (HH) is used in the step.



NOTE: To avoid destroying the finish, do not put the parts on the ground directly.



Care and Cleaning

- Before using, clean the sectional completely with a soft dry towel.
- Do not use harsh abrasives or cleaners.
- When not in use, store in a cool, dry area.

HAMPTON BAY®

Questions, problems, missing parts? Before returning to the store,
call Hampton Bay Customer Service
8 a.m. - 7 p.m., EST, Monday-Friday, 9 a.m. - 6 p.m., EST, Saturday

1-855-HD-HAMPTON

HAMPTONBAY.COM

Retain this manual for future use.
