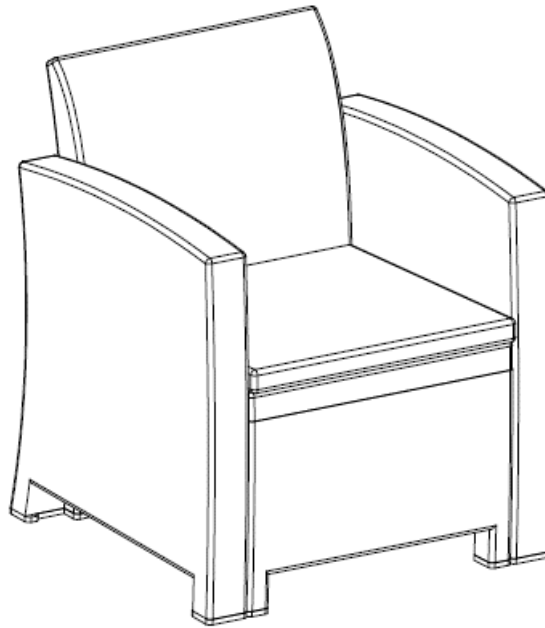


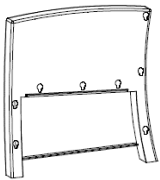
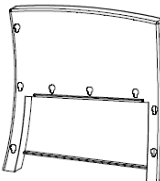
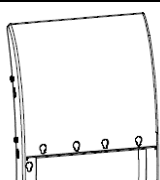
# Assembly Instructions

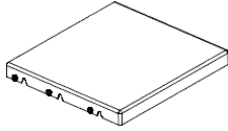
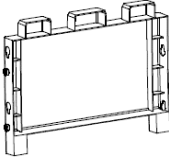
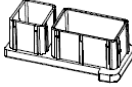
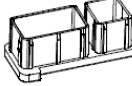
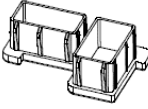
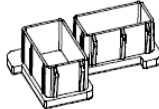
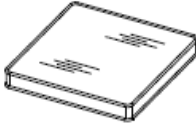
**Caution : You must read this before you proceed**

## Club Chair




### Parts List

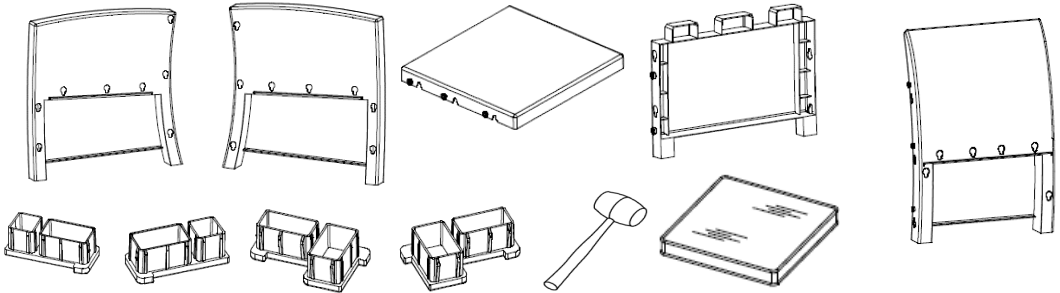
Label	Picture	Description	QTY
A		Left Armrest (with Legs)	1
B		Right Armrest (with Legs)	1
C		Backrest (with Legs)	1

D		Seat Panel	1
E		Front Panel (with Legs)	1
F		Left Front Foot Clip	1
G		Right Front Foot Clip	1
H		Left Back Foot Clip	1
I		Right Back Foot Clip	1
M		Seat Cushion	1

## Additional Accessory

Q		Rubber Hammer	1
---	---	---------------	---

## Assembly Preparation

<p>Before Beginning Assembly:</p>	
-----------------------------------	--



- Read instructions, cover to cover-



- Have 2 adults on hand for assembly-



- Do not assemble on flooring or carpet-



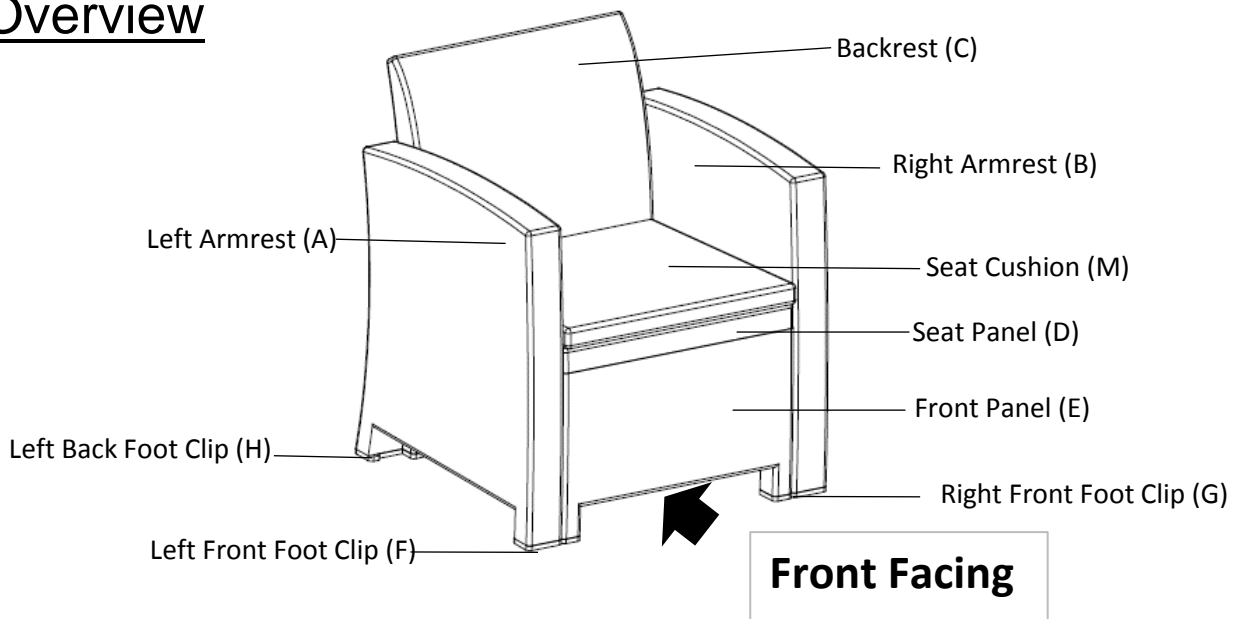
- Assemble on a clean non-marring surface (packing foam)-



- Save all packaging until finished-

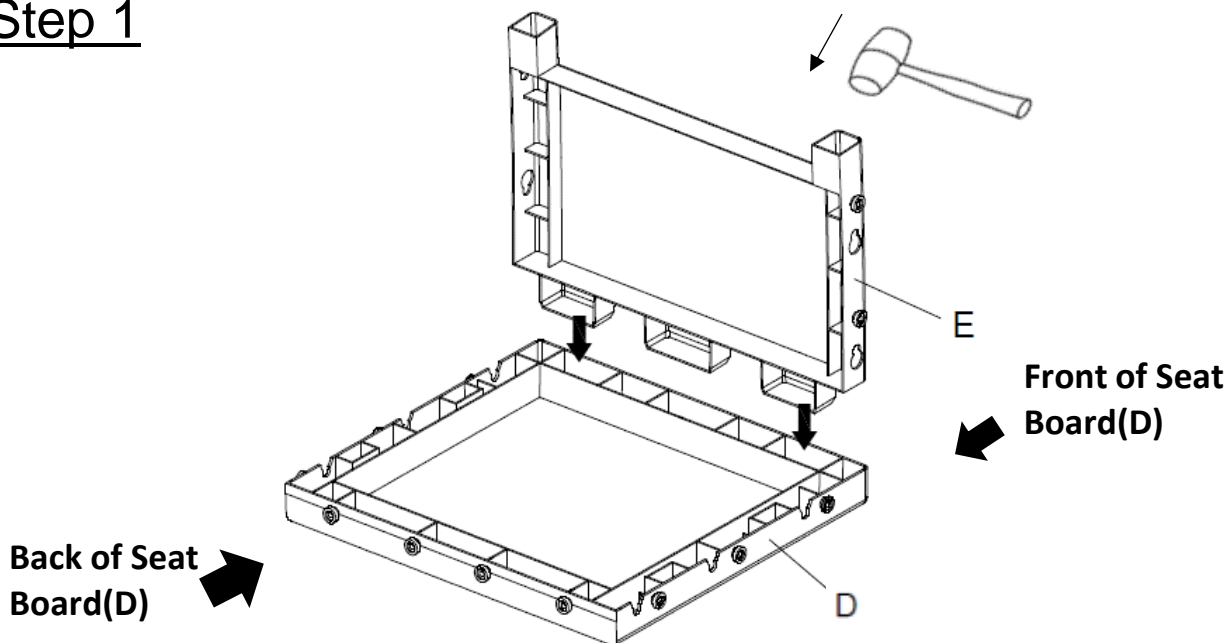
# Assembly Steps

## Overview



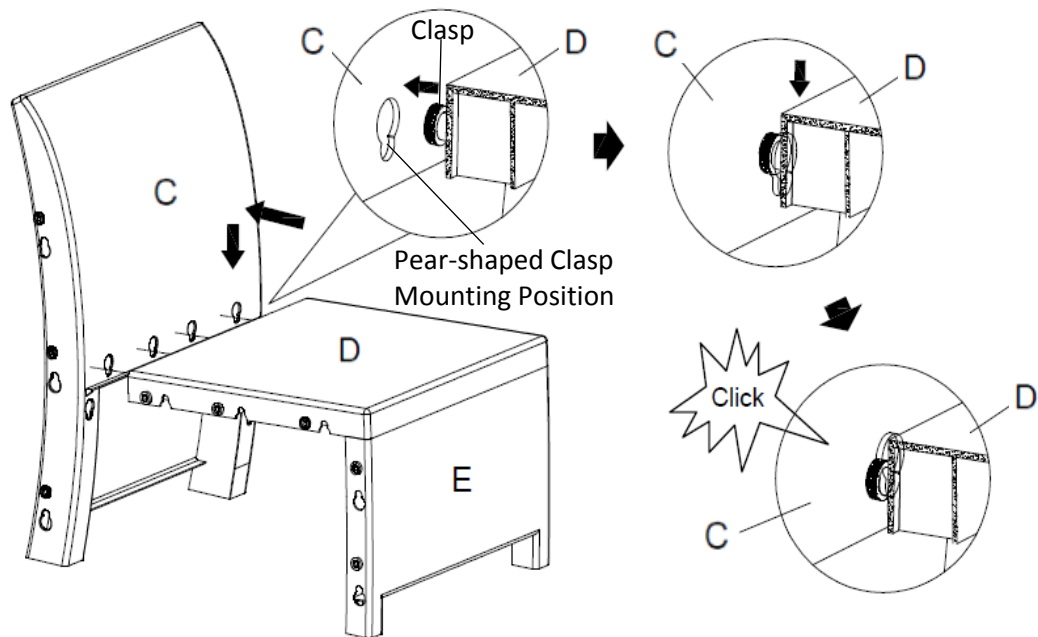
This Club Chair has multiple parts and may require up to 30 minutes to assemble. To give you an overview of the Club Chair parts, the above picture is to help you put the various parts into perspective. Please read through the instructions below to familiarise yourself with the parts and steps before assembly.

## Step 1



Open the carton and place all parts on a clean, non-marring surface. Place the Seat Panel (D) facedown on the clean, non-marring surface. Insert Front Panel (E) into Seat Panel (D) using the interlocking joints and secure with Rubber Hammer (Q).

## Step 2

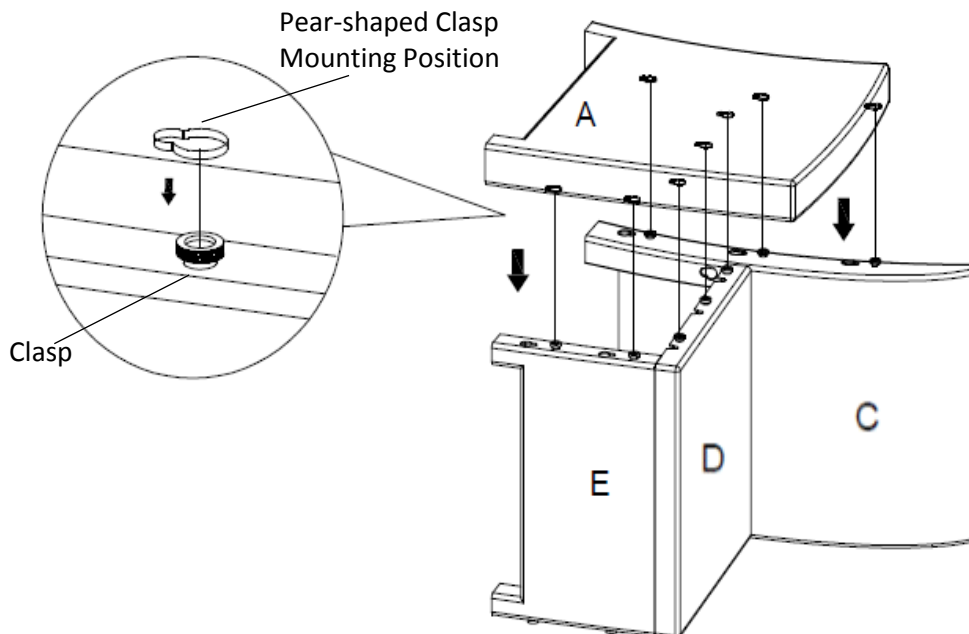


Place the Backrest(C) upright and align Seat Panel(D) as shown above.

There are four Pear-shaped Clasp mounting positions on the Backrest(C), and four Clasps on the Seat Panel(D).

Insert the four Clasps into four mounting positions and push down to button up the Clasps with the Rubber Hammer(Q).

## Step 3

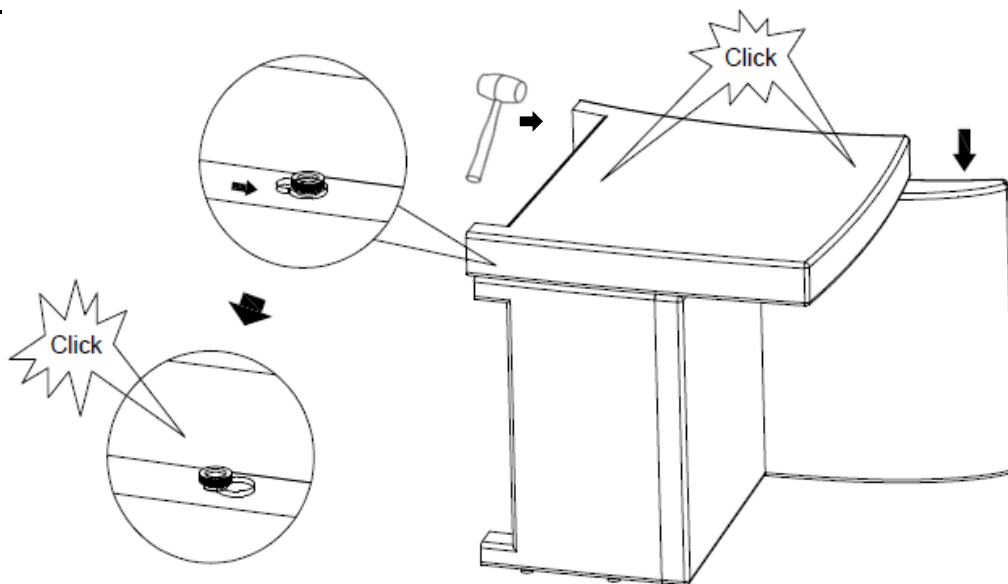


Turn the assembly onto it's side as shown.

Insert the Clasps on the Left Armrest(A) into the Pear-shaped Clasp mounting positions on the Front Panel(E), Seat Panel(D), and Backrest(C).

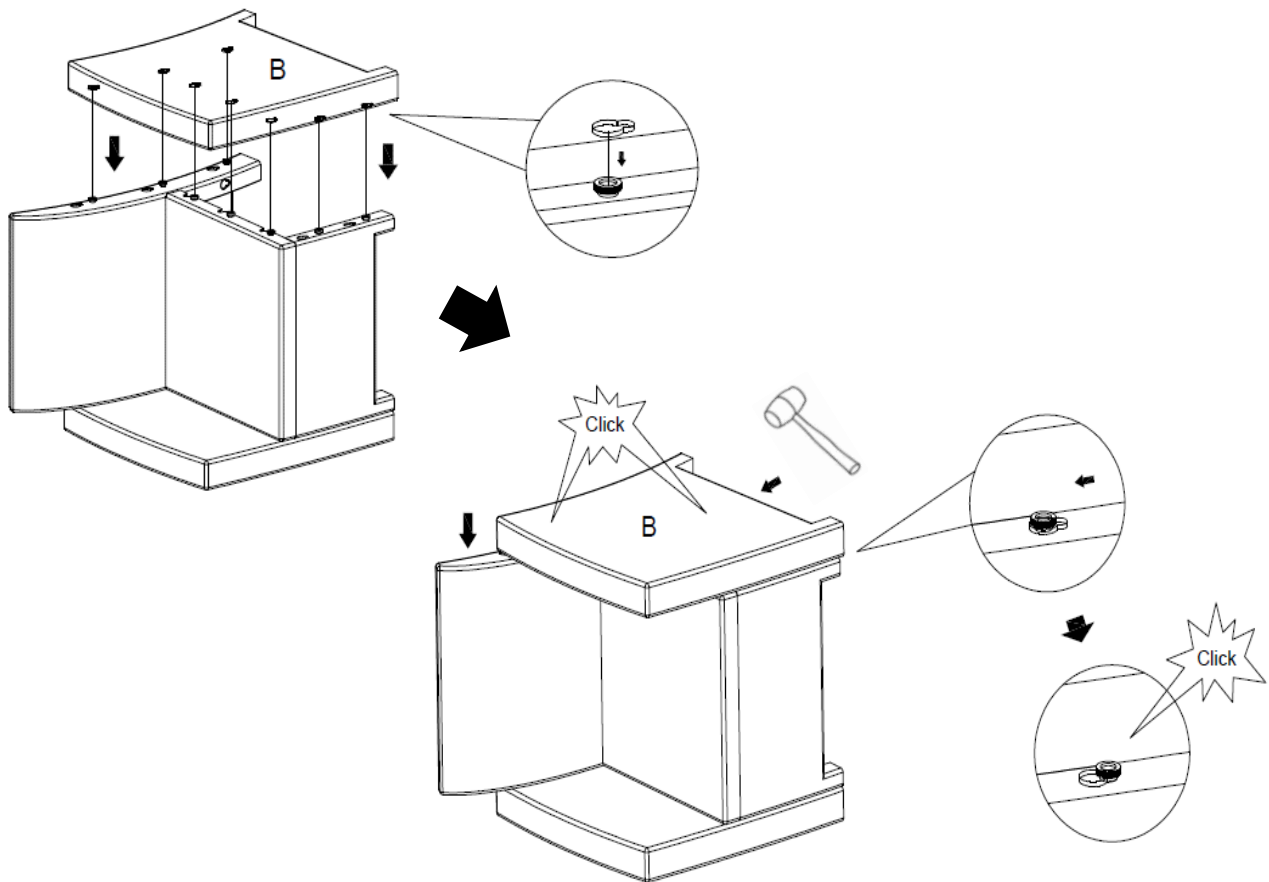
Insert the 8 Clasps of Front Panel(E), Seat Panel(D), and Backrest(C) into Pear-Shaped Clasp mounting positions of Left Armrest(A).

## Step 4



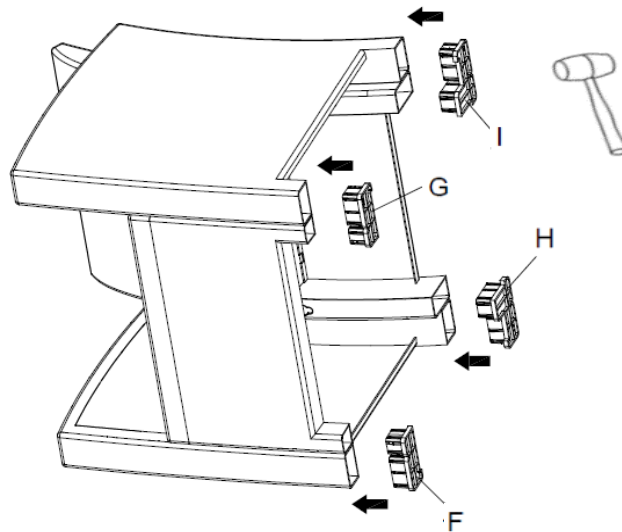
Button up the Clasps with the Rubber Hammer(Q) from left to right as shown above.

## Step 5



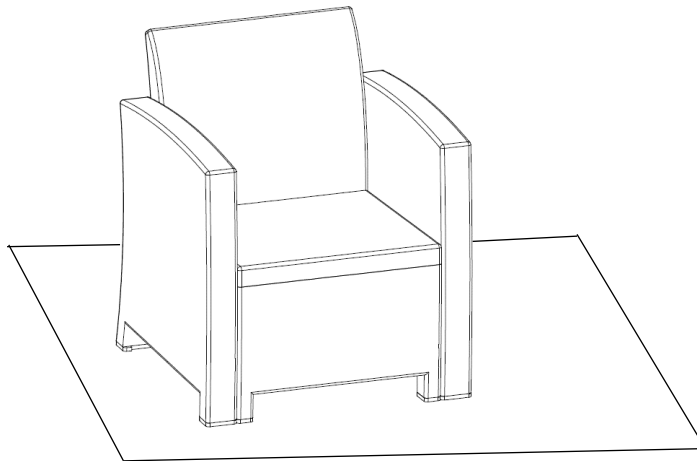
With the help of an adult partner, turn the assembly over as shown above. Repeat the same process from **Steps 3 - 4** with the Right Armrest(B).

## Step 6



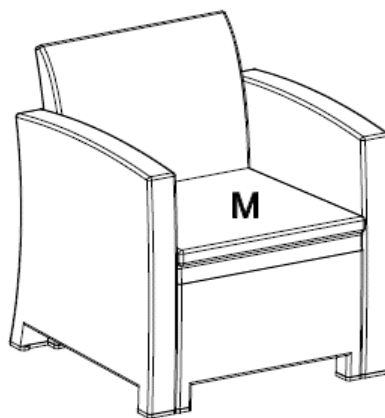
Attach the Left Front Foot Clip(F), Right Front Foot Clip(G), Left Back Foot Clip(H), Right Back Foot Clip(I) to the feet of the Club Chair using the Rubber Hammer(Q) as shown above.

## Step 7



With the help of your adult partner, stand the Club Chair up on a Level surface, to check for wobbles.  
If there are wobbles, use the Rubber Hammer(Q) to ensure all parts are properly secured.





















## Step 8



Place the Cushion(M) on the seat.  
Your Club Chair is ready for use.

**This Club Chair can only be used on a flat, level surface.**

## Care & Maintenance

-   Do not put hot items directly on furniture surface.
  -   Do not clean furniture with harsh cleansers or polish.
  -   To obtain the longest lifespan of your outdoor products, minimizing exposure to direct sunlight is recommended.
  -   Children should not climb or jump on the furniture.
  -   Do not write on furniture without a padded barrier to protect the surface.
  -   To obtain the longest lifespan of your outdoor products, avoid extended and lengthy exposure to rain, snow, and direct sunshine. Whenever possible cover the product and /or place under patio or awnings.
  -   Not for commercial use. For residential use only.
  -   Stains may be removed with mild soap solution and damp cloth.
  -   Keep away from sources of ignition.
- 
-   Dust and pick-up spills using a clean, non-colored, lint-free cloth.

## Questions & Answers about Proposition 65

### • What is Proposition 65?

Proposition 65 requires businesses to provide warnings to Californians about significant exposures to chemicals that cause cancer, birth defects or other reproductive harm. These chemicals can be in the products that Californians purchase, in their homes or workplaces, or that are released into the environment. By requiring that this information be provided, Proposition 65 enables Californians to make informed decisions about their exposures to these chemicals.

Proposition 65 also prohibits California businesses from knowingly discharging significant amounts of listed chemicals into sources of drinking water.

Proposition 65 requires California to publish a list of chemicals known to cause cancer, birth defects or other reproductive harm. This list, which must be updated at least once a year, has grown to include approximately 900 chemicals since it was first published in 1987.

### • What types of chemicals are on the Proposition 65 list?

The list contains a wide range of naturally occurring and synthetic chemicals that include additives or ingredients in pesticides, common household products, food, drugs, dyes, or solvents. Listed chemicals may also be used in manufacturing and construction, or they may be byproducts of chemical processes, such as motor vehicle exhaust.

### • What does a warning mean?

If a warning is placed on a product label or posted or distributed at a workplace, a business, or in rental housing, the business issuing the warning is aware or believes that it is exposing individuals to one or more listed chemicals.

By law, a warning must be given for listed chemicals unless the exposure is low enough to pose no significant risk of cancer or is significantly below levels observed to cause birth defects or other reproductive harm.

### • Where can I get more information on Proposition 65?

If you have specific questions on the administration or implementation of Proposition 65, you can contact OEHHA's Proposition 65 program at [P65.Questions@oehha.ca.gov](mailto:P65.Questions@oehha.ca.gov), or by phone at (916) 445-6900.