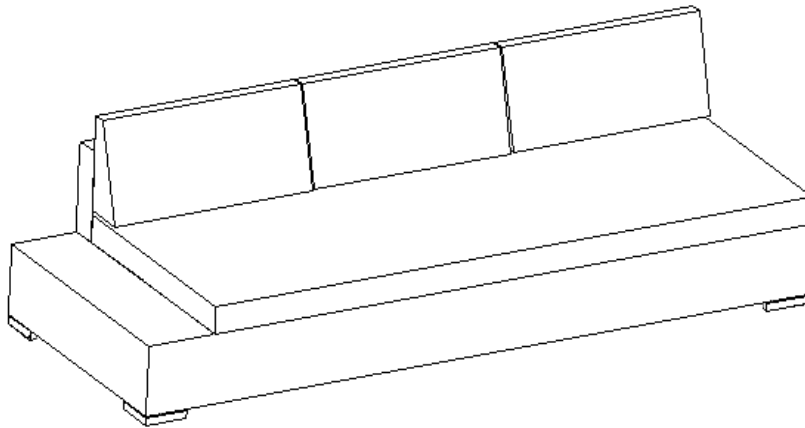


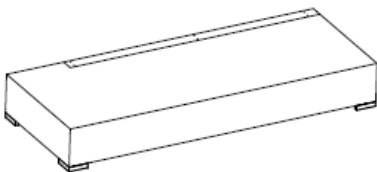
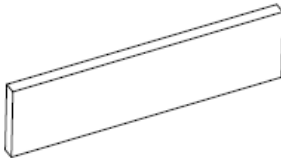
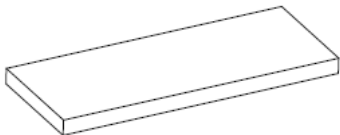
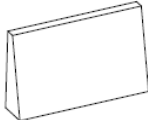

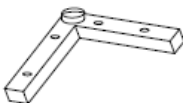
# Assembly Instructions

**Caution : You must read this before you proceed**

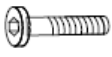
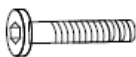
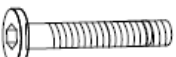



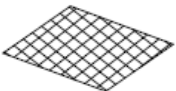
## Sofa



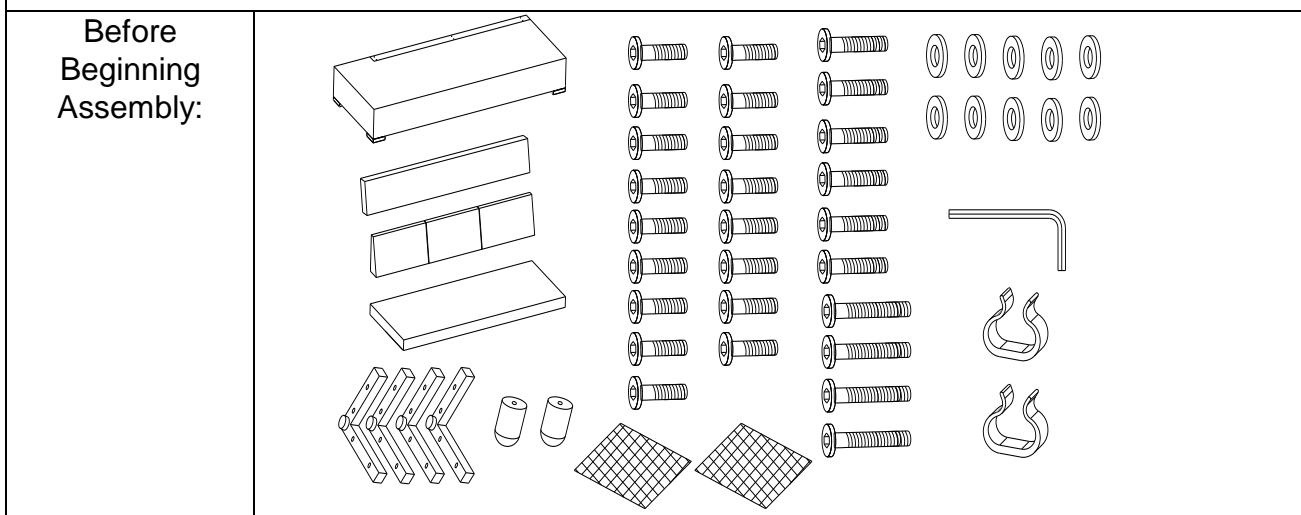
### Parts List






Label	Picture		QTY
A		Seat	1
B		Backrest	1
C		Seat Cushion	1
D		Back Cushion	3
E		Middle Foot	2
F		Foot	4

# Hardware

Label	Picture	Description	QTY
①		Bolt (M6x25mm)	17
②		Bolt (M6x35mm)	6
③		Bolt (M6x45mm)	4
④		Washer (M6)	10
⑤		Allen Key	1
⑥		Clip	2
⑦		Anti-Slip Mat	2

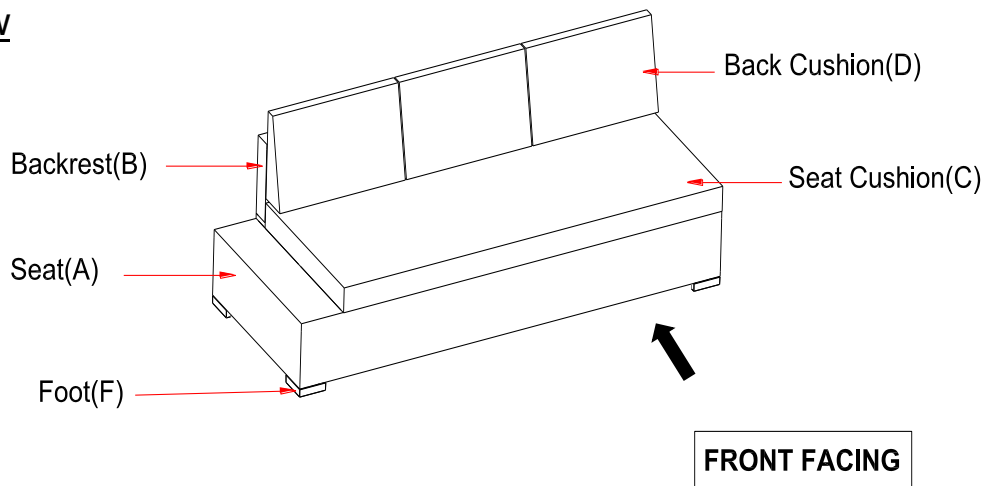
# Assembly Preparation



-  • Read instructions, cover to cover-
-  • Have 2 adults on hand for assembly-
-  • Do not assemble on flooring or carpet-
-  • Assemble on a clean non-marring surface (packing foam)-
-  • Save all packaging until finished-

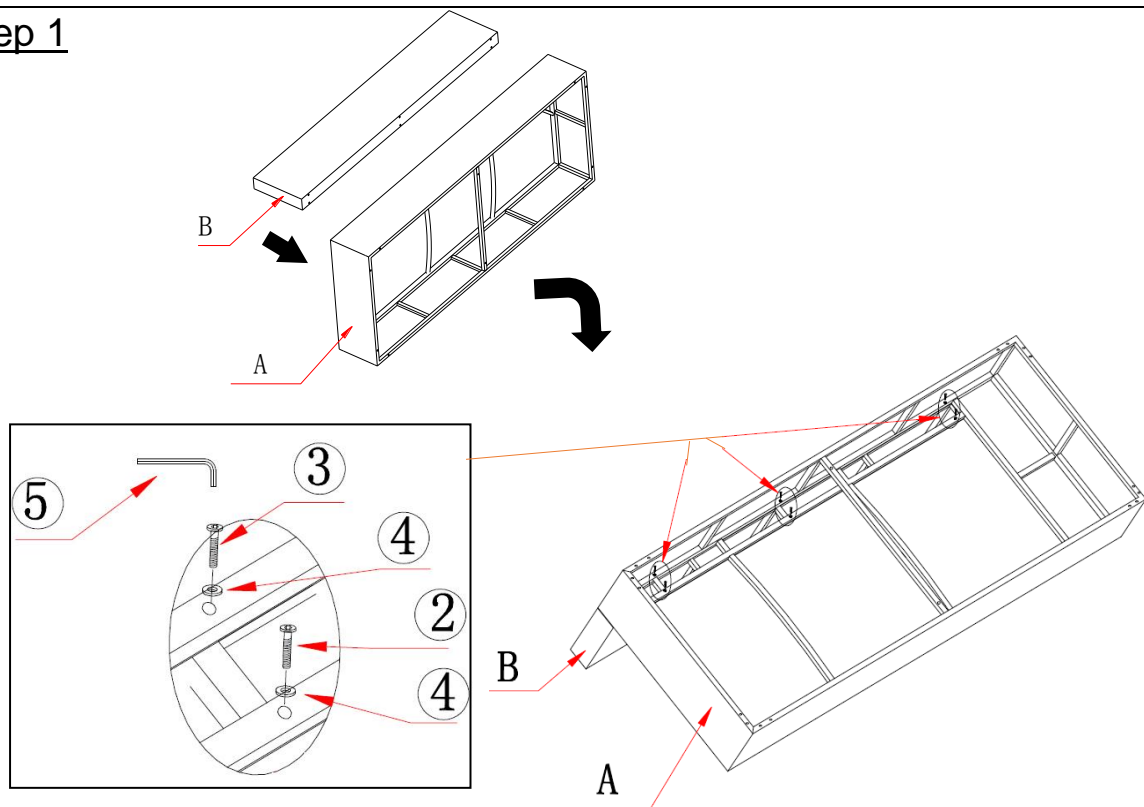
# Assembly Steps

## Overview



This Sofa has multiple parts and may require up to 30 minutes to assemble. To give you an overview of the Sofa parts, the above picture is to help you put the various parts into perspective. Please read through the instructions below to familiarise yourself with the parts and steps before assembly.

## Step 1



Open the carton and place all the parts onto a clean, non-marring surface.

Align Seat(A) to Backrest(B) as pictured above.

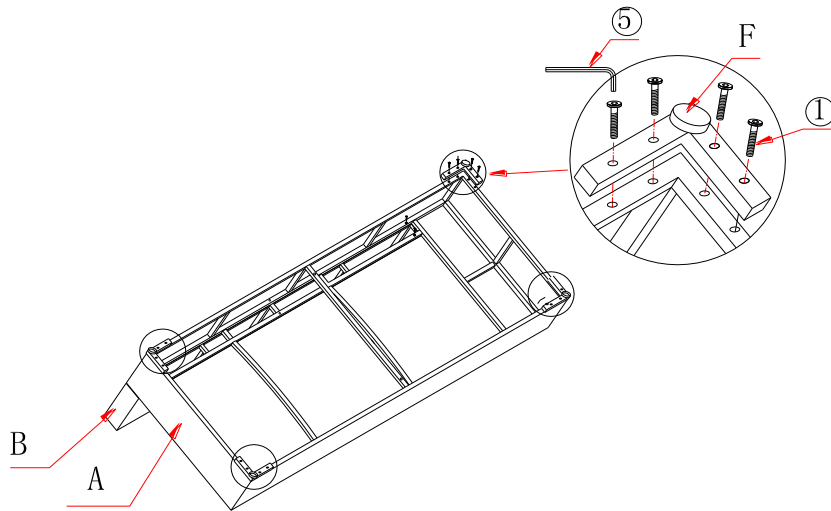
Attach Seat(A) to Backrest(B) using Bolts(②), and Washers(④) with Allen Key(⑤).

Attach Seat(A) to Backrest(B) using Bolts(③), and Washers (④) with Allen Key(⑤).

**Tighten Bolts fully in a sequential manner after all Bolts are in place.**

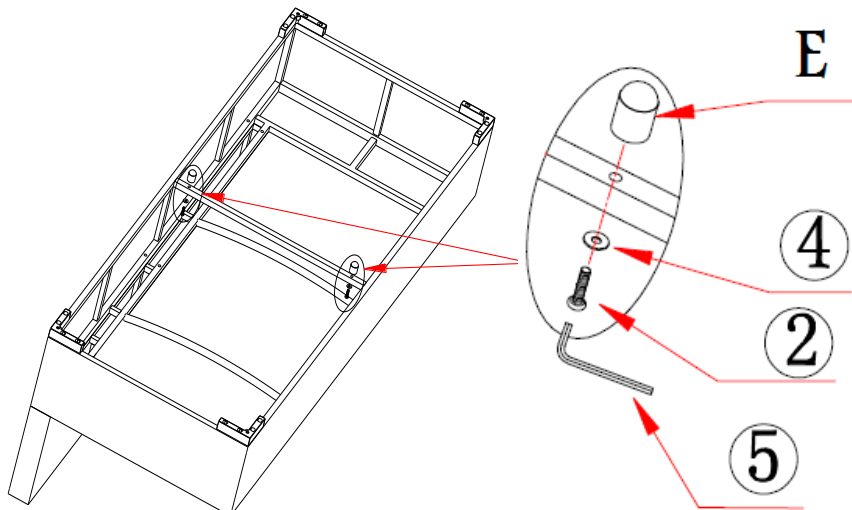
**This step is best performed with an adult partner to assist.**

## Step 2



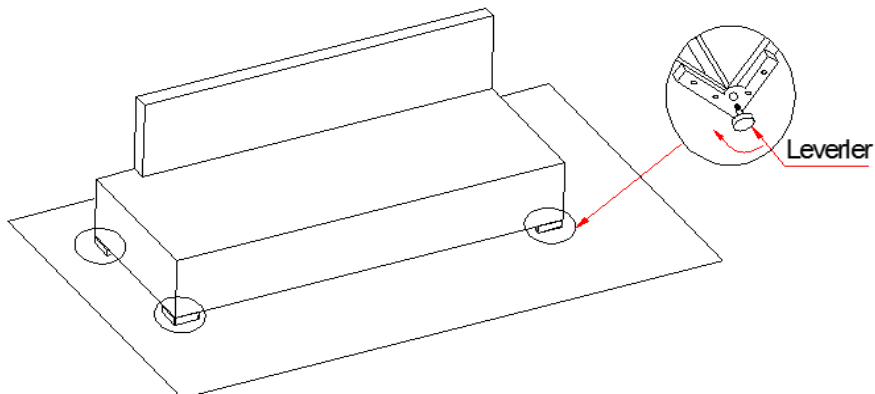
Attach Feet(F) to Seat(A) using Bolts(1) with Allen Key(5).  
**Tighten Bolts fully in a sequential manner after all Bolts are in place.**

## Step 3



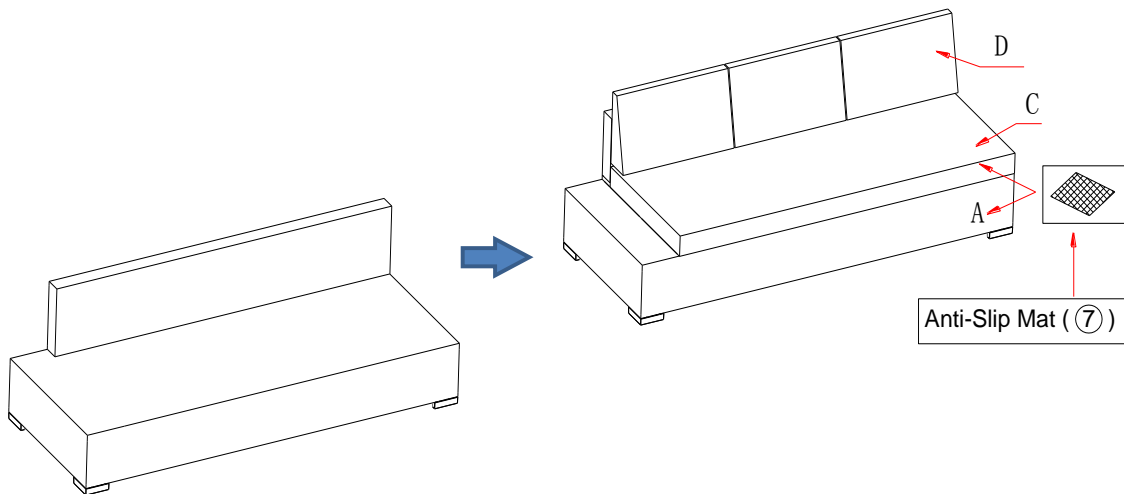
Attach Middle Feet(E) to Seat(A) using Bolts(1) and Washers(4) with Allen Key(5).  
**Tighten Bolts fully in a sequential manner after all Bolts are in place.**

## Step 4



Place the Sofa on a level surface to check the wobbles.  
If the Sofa wobbles, adjust the Levelers on the bottom of the Legs to make it level, by hand.

## Step 5

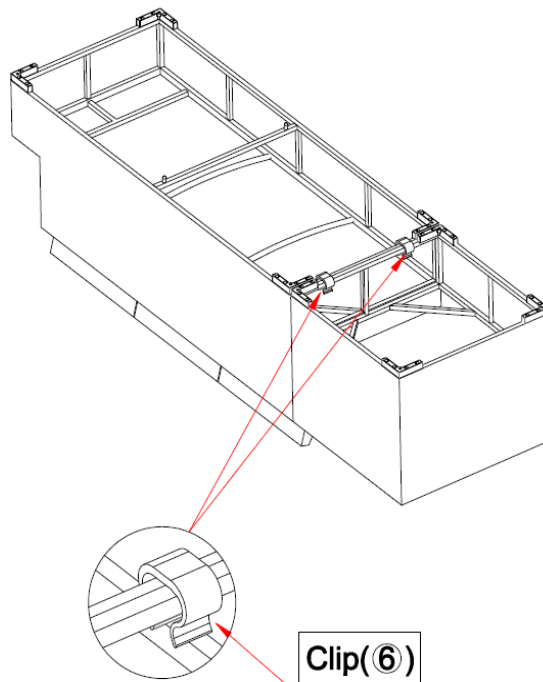


Place the Seat Cushion(C) and Back Cushions(D) on the Sofa.  
Place the Anti-Slip Mat(7) between the Seat Cushion(C) and Seat(A).  
Your Sofa is ready for use.

**This Sofa can only be used on a flat, level surface.**





















## Additional Hardware:

### Clip Instructions



In the event that you should purchase more than one Sofa, the Conneters Clips(6) can be used to link up the Sofas to achieve a Sectional Sofa.  
Simply place the Sofas together and firmly push the Connector Clip(6) down until it locks into place.

## Care & Maintenance

-   ● Do not put hot items directly on furniture surface
  -   ● Do not clean furniture with harsh cleansers or polish.
  -   ● To obtain the longest lifespan of your outdoor products, minimizing exposure to direct sunlight is recommended.
  -   ● Children should not climb or jump on the furniture.
  -   ● Do not write on furniture without a padded barrier to protect the surface.
  -   ● To obtain the longest lifespan of your outdoor products, avoid extended and lengthy exposure to rain, snow, and direct sunshine. Whenever possible cover the product and /or place under patio or awnings.
  -   ● Not for commercial use. For residential use only .
  -   ● Stains may be removed with mild soap solution and damp cloth.
  -   ● Keep away from sources of ignition.
- 
-   ● Dust and pick-up spills using a clean, non-colored, lint-free cloth.

### What is Proposition 65?

Proposition 65 is a California law that requires warning labels on products that may contain one of more than 800-plus chemicals or ingredients that the California Office of Environmental Health Hazard Assessment (OEHHA) has deemed to cause cancer or other reproductive toxicity. Chemicals and elements on this list include wood dust, brass, and other everyday substances, which can be found in very common household items, such as: lamps, tableware, jewelry, crystal glasses, electric cords, beauty products, automobiles, and furniture.

### Why Did I Find a Proposition 65 Warning on My Home Goods Product?

We include Proposition 65 warnings on all of our products because there is always a chance that one of the 800-plus common chemicals and ingredients listed under this law could potentially be on our furniture or packing materials. We risk large fines under this law, if we don't include this warning.

### Should I worry?

We realize you may be worried finding this warning on our products, but we want to reassure you that the hazardous exposure limits for any of these chemicals have never been found on furniture products that we've shipped to our customers. Additionally, this warning label is very common and can be found on almost every piece of furniture sold in the state of California.

### Just How Common Are Proposition 65 Warnings?

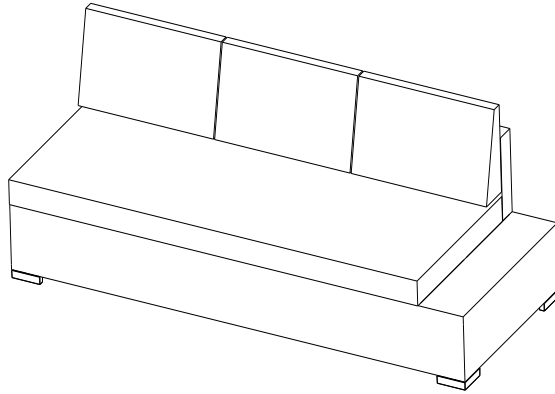
Proposition 65 warnings have become so common in California that it is hard to take a trip to a local bank, grocery store, or restaurant without finding at least one warning. In fact, even the Disney Land Resort has a Proposition 65 warning:



# Assembly Instructions

**Caution : You must read this before you proceed**

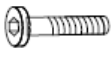
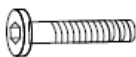




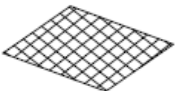
## Sofa



## Parts List

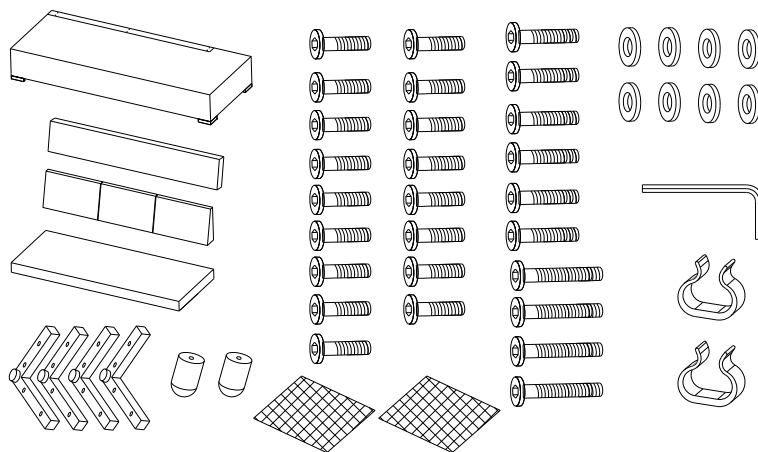
Label	Picture		QTY
G	A line drawing of the seat base, which is a long, rectangular box with a slightly raised front edge and small feet at the bottom corners.	Seat	1
H	A line drawing of the backrest, which is a long, thin rectangular panel.	Backrest	1
C	A line drawing of the seat cushion, which is a rectangular block.	Seat Cushion	1
D	A line drawing of the back cushion, which is a rectangular block with a slightly raised back edge.	Back Cushion	3
E	A line drawing of the middle foot, which is a cylindrical piece.	Middle Foot	2
F	A line drawing of the foot, which is an L-shaped bracket with a circular hole at the corner and several smaller holes along the length.	Foot	4






# Hardware

Label	Picture	Description	QTY
①		Bolt (M6x25mm)	17
②		Bolt (M6x35mm)	6
③		Bolt (M6x45mm)	4
④		Washer (M6)	10
⑤		Allen Key	1
⑥		Clip	2
⑦		Anti-Slip Mat	2

# Assembly Preparation

Before Beginning Assembly:

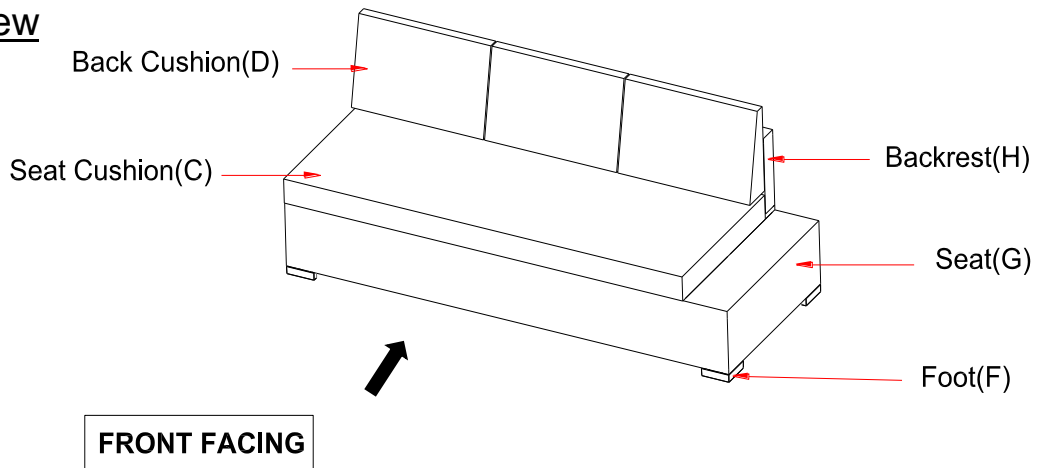


-  • Read instructions, cover to cover-
-  • Have 2 adults on hand for assembly-
-  • Do not assemble on flooring or carpet-
-  • Assemble on a clean non-marring surface (packing foam)-
-  • Save all packaging until finished-



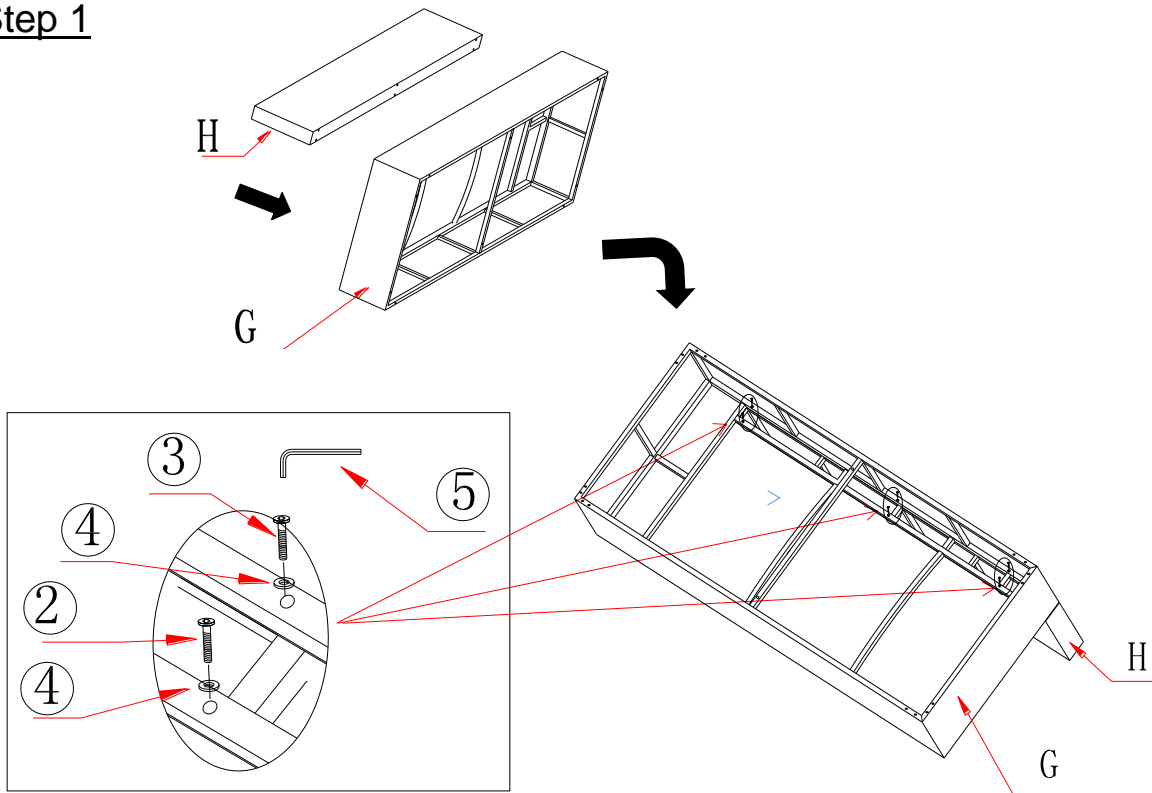
# Assembly Steps

## Overview



This Sofa has multiple parts and may require up to 30 minutes to assemble. To give you an overview of the Sofa parts, the above picture is to help you put the various parts into perspective. Please read through the instructions below to familiarise yourself with the parts and steps before assembly.

## Step 1



Open the carton and place all the parts onto a clean, non-marring surface.

Align Seat(G) to Backrest(H) as pictured above.

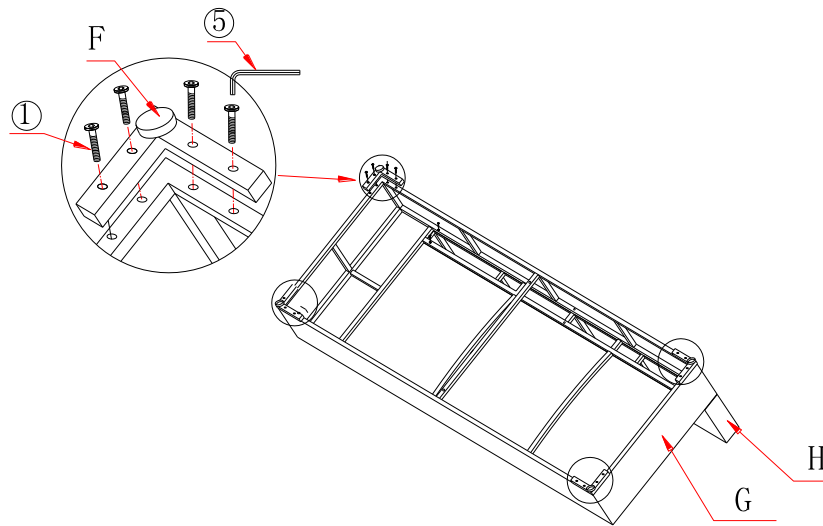
Attach Seat(G) to Backrest(H) using Bolts(②), and Washers(④) with Allen Key(⑤).

Attach Seat(G) to Backrest(H) using Bolts(③), and Washers (④) with Allen Key(⑤).

**Tighten Bolts fully in a sequential manner after all Bolts are in place.**

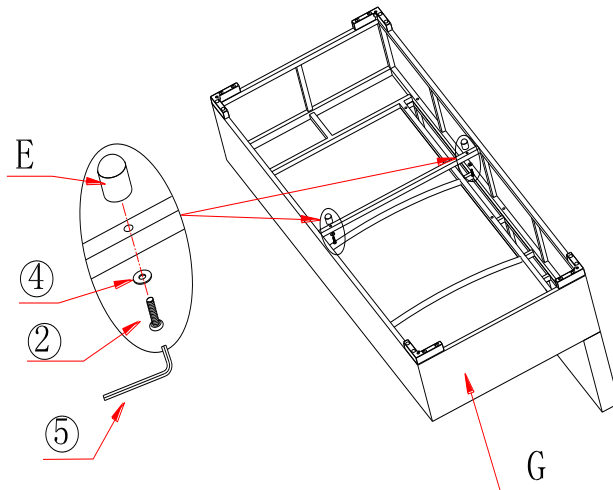
**This step is best performed with an adult partner to assist.**

## Step 2



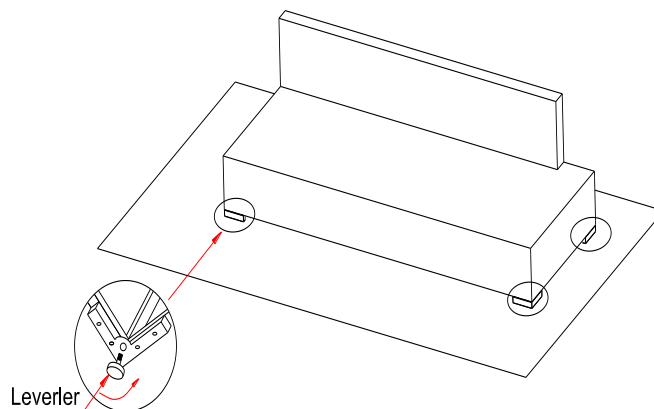
Attach Feet(F) to Seat(G) using Bolts(1) with Allen Key(5).  
**Tighten Bolts fully in a sequential manner after all Bolts are in place.**

## Step 3



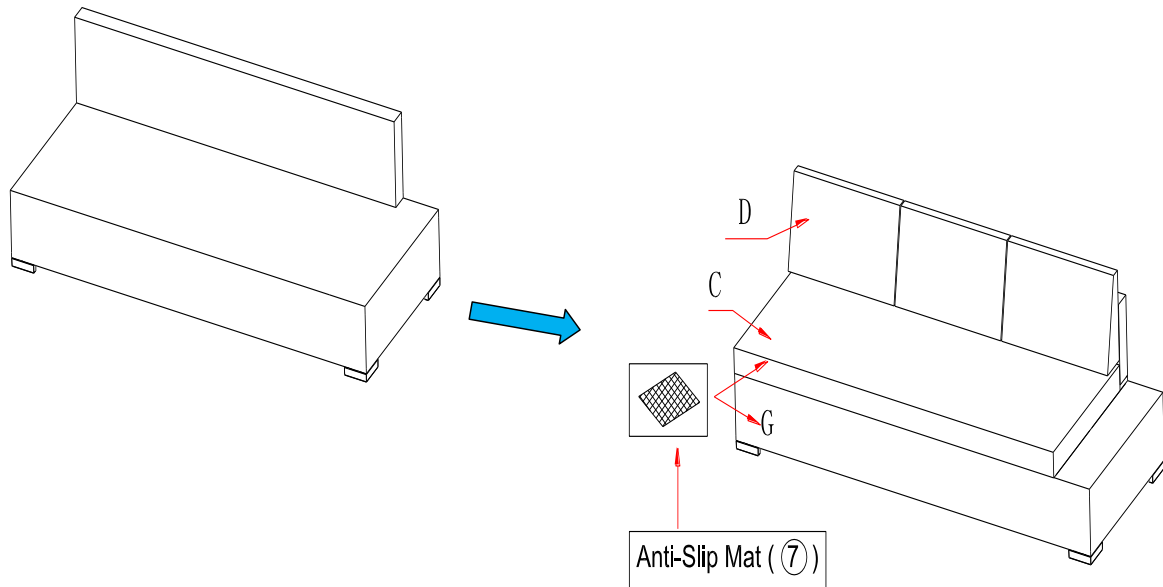
Attach Middle Feet(E) to Seat(G) using Bolts(1) and Washers(4) with Allen Key(5).  
**Tighten Bolts fully in a sequential manner after all Bolts are in place.**

## Step 4



Place the Sofa on a level surface to check the wobbles.  
If the Sofa wobbles, adjust the Levelers on the bottom of the Legs to make it level, by hand.

## Step 5

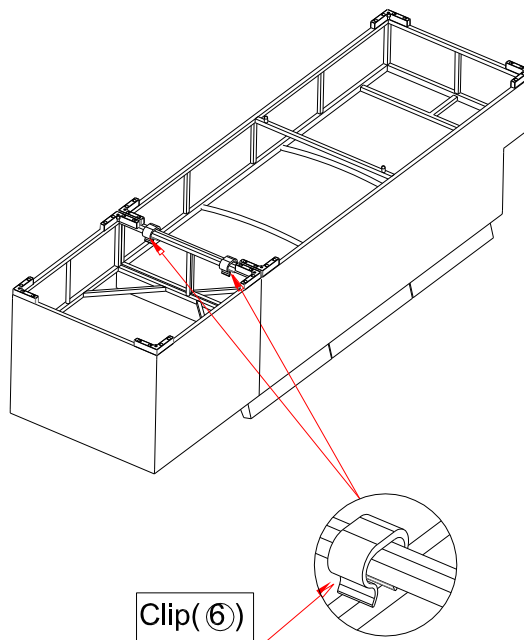


Place the Seat Cushion(C) and Back Cushions(D) on the Sofa.  
Place the Anti-Slip Mat(7) between the Seat Cushion(C) and Seat(G).  
Your Sofa is ready for use.

**This Sofa can only be used on a flat, level surface.**





















## Additional Hardware:

### Clip Instructions



In the event that you should purchase more than one Sofa, the Conneters Clips(6) can be used to link up the Sofas to achieve a Sectional Sofa.  
Simply place the Sofas together and firmly push the Connector Clip(6) down until it locks into place.

## Care & Maintenance

-   ● Do not put hot items directly on furniture surface
  -   ● Do not clean furniture with harsh cleansers or polish.
  -   ● To obtain the longest lifespan of your outdoor products, minimizing exposure to direct sunlight is recommended.
  -   ● Children should not climb or jump on the furniture.
  -   ● Do not write on furniture without a padded barrier to protect the surface.
  -   ● To obtain the longest lifespan of your outdoor products, avoid extended and lengthy exposure to rain, snow, and direct sunshine. Whenever possible cover the product and /or place under patio or awnings.
  -   ● Not for commercial use. For residential use only .
  -   ● Stains may be removed with mild soap solution and damp cloth.
  -   ● Keep away from sources of ignition.
- 
-   ● Dust and pick-up spills using a clean, non-colored, lint-free cloth.

### What is Proposition 65?

Proposition 65 is a California law that requires warning labels on products that may contain one of more than 800-plus chemicals or ingredients that the California Office of Environmental Health Hazard Assessment (OEHHA) has deemed to cause cancer or other reproductive toxicity. Chemicals and elements on this list include wood dust, brass, and other everyday substances, which can be found in very common household items, such as: lamps, tableware, jewelry, crystal glasses, electric cords, beauty products, automobiles, and furniture.

### Why Did I Find a Proposition 65 Warning on My Home Goods Product?

We include Proposition 65 warnings on all of our products because there is always a chance that one of the 800-plus common chemicals and ingredients listed under this law could potentially be on our furniture or packing materials. We risk large fines under this law, if we don't include this warning.

### Should I worry?

We realize you may be worried finding this warning on our products, but we want to reassure you that the hazardous exposure limits for any of these chemicals have never been found on furniture products that we've shipped to our customers. Additionally, this warning label is very common and can be found on almost every piece of furniture sold in the state of California.

### Just How Common Are Proposition 65 Warnings?

Proposition 65 warnings have become so common in California that it is hard to take a trip to a local bank, grocery store, or restaurant without finding at least one warning. In fact, even the Disney Land Resort has a Proposition 65 warning:

