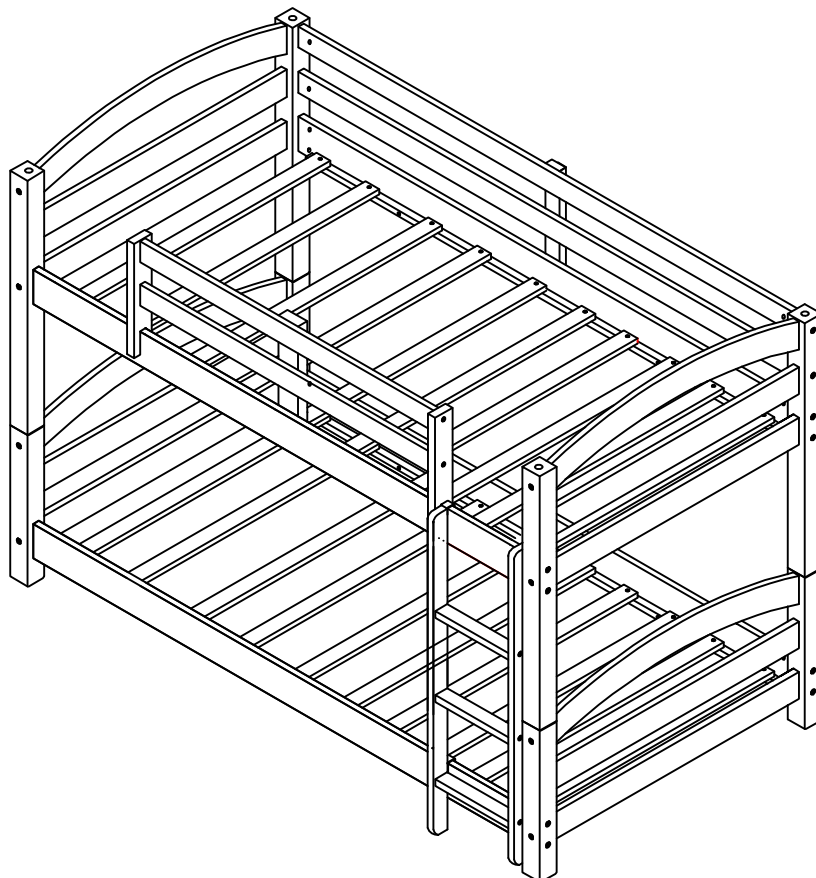


ASSEMBLY INSTRUCTIONS

ITEM # : **WF192540 & WF192541**

SAFETY WARNINGS


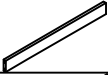




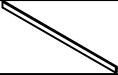




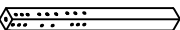




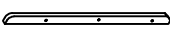

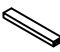
- 1-Follow the information on the warning label appearing on the upper bunk bed and structure on the carton .Do not remove warning label from bed
- 2-Always use the recommended size mattress or mattress support, or both, to help prevent the likelihood of entrapment or falls.
- 3-Surface of mattress must be at least 5 inches below the upper edge of guard rails.
- 4-Do not allow children under 6 years to use the upper bunk bed.
- 5-Prohibit more than one person on upper bunk.
- 6-Periodically check and ensure that the guardrail, ladder, and other components are in their proper position, free from damage, and that all connectors are tight.
- 7-Do not allow horseplay on or under the bed and prohibit jumping on the bed.
- 8-Always use the ladder for entering and leaving upper bunk.
- 9-Do not use substitute part. Contact the manufacturer or dealer for replacement part.
- 10-Use of night light may provide added safety precaution for a child using the upper bunk.
- 11-If the bunk bed will be placed next to a wall, the guardrail that runs the full length of the bed.
- 12-Always use guardrail on both long sides of the upper bunk.
- 13-The use of water or sleep flotation mattresses is prohibited.
- 14-Keep these instruction for future reference.
- 15-Strangulation Hazard - Never attach or hang items to any part of the bunk bed that are not designed for use with the bed, for example, but not limited to hooks, belts and jump rores.












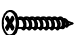


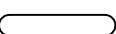
ASSEMBLY INSTRUCTIONS

ITEM # : **WF192540 & WF192541**

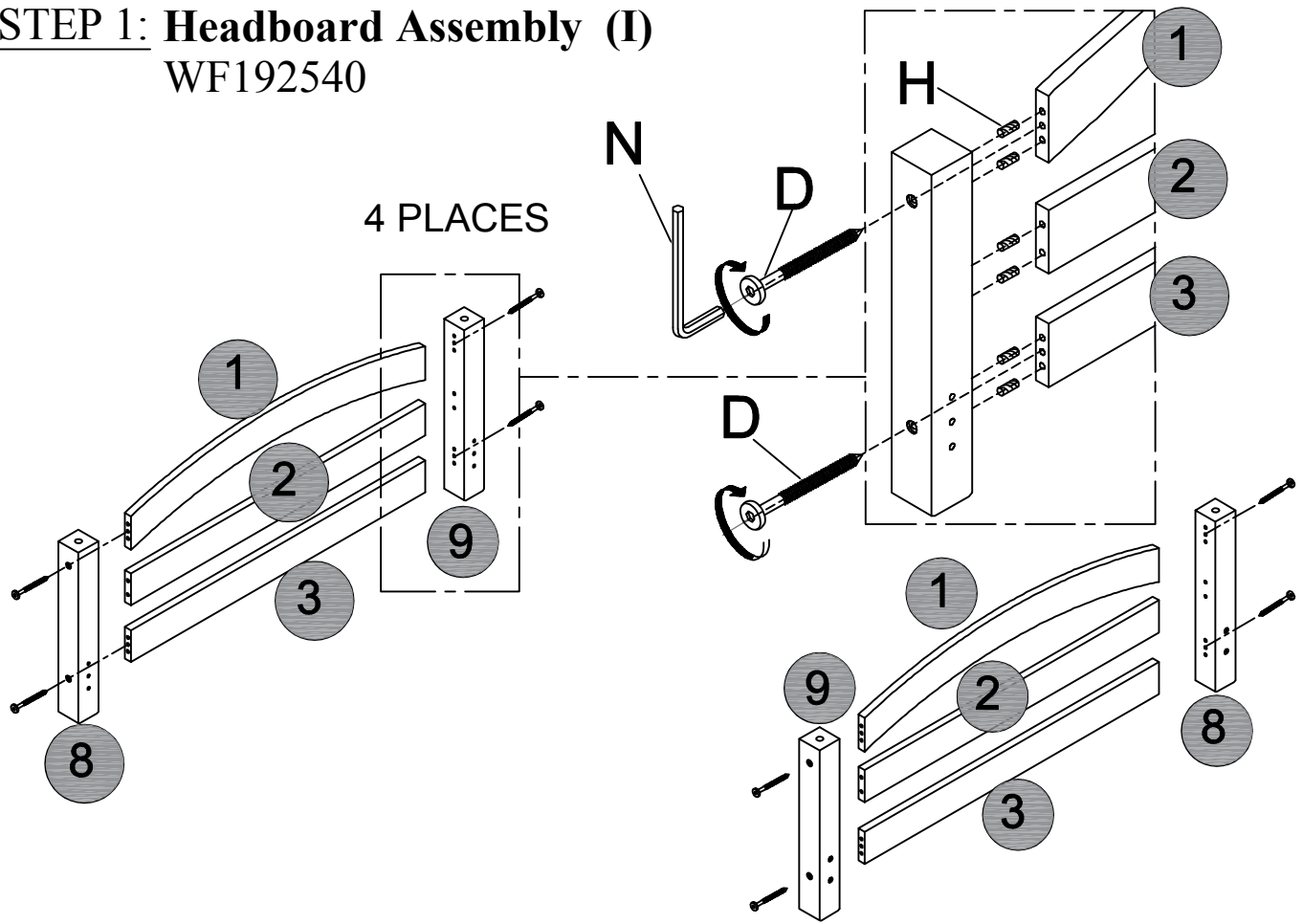
PART LISTS

No.	PHOTO	PART NAME	Q'TY
1		Cap for horizontal bar	4pcs
2		Center horizontal bar	4pcs
3		Bottom horizontal bar	4pcs
4		Side rail (I)&(II)	4pcs
5		Center Guardrail Support (II)	2pcs
6		Upper long Guard rail (II)	2pcs
7		Upper long Guard rail (II)	2pcs
8		Upper legs (I)	2pcs
9		Upper legs (I)	2pcs
10		Upper legs (II)	1pc
11		Upper legs (II)	1pc
12		Upper legs (II)	1pc
13		Upper legs (II)	1pc
14		Guardrail Support (II)	1pc
15		Guardrail Support (II)	1pc
16		Completed Twin Slats (10pcs/1set)	20pcs
17		Ladder Left side rail (II)	1pc
18		Ladder Right side rail (II)	1pc
19		Ladder step	3pcs

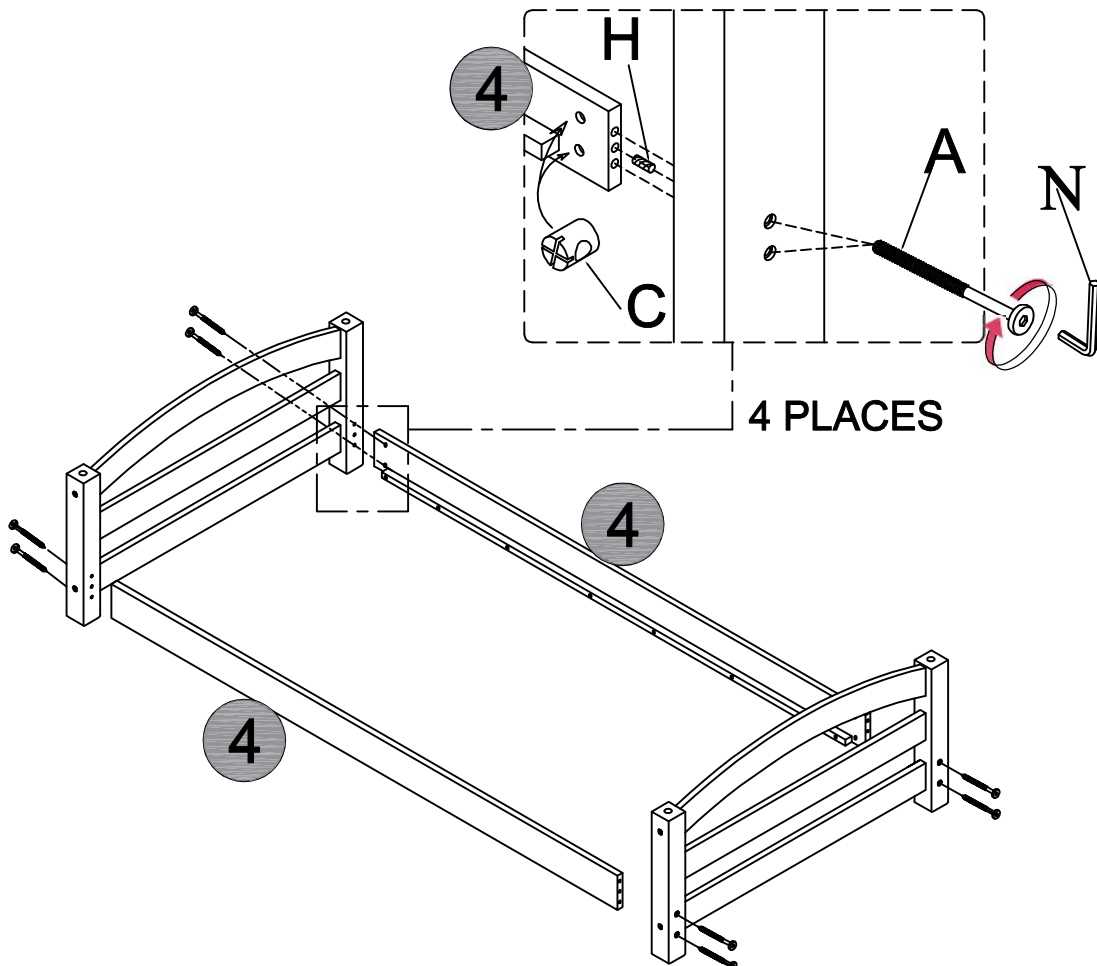
HARDWARE LISTS

No.	PHOTO	HARDWARE NAME	Q'TY
A		BOLT: Ø1/4" x 100mm Half round Nut	20pcs
B		BOLT: Ø1/4" x 65mm Half round Nut	4pcs
C		Horizontal-Hole bolts Ø1/4" x 15mm	24pcs
D		Hex-Head bolts Ø1/4" x 110mm	16pcs
E		Hex-Head bolts Ø1/4" x 50mm	6pcs
G		Hex-Head bolts Ø1/4" x 30mm	7pcs
H		Wood dowel Ø10 x 30mm	68pcs
I		Steel dowel Ø10 x 90mm	8pcs
J		Hooks 81 x 26 x 21mm (2.5mm)	4pcs
L		Screw Ø4 x 15mm	12pcs
M		Screw Ø4 x 30mm	40pcs
N		ALLEN KEY 4mm	1pc
P		Foam stick 90*17*2mm	4pcs

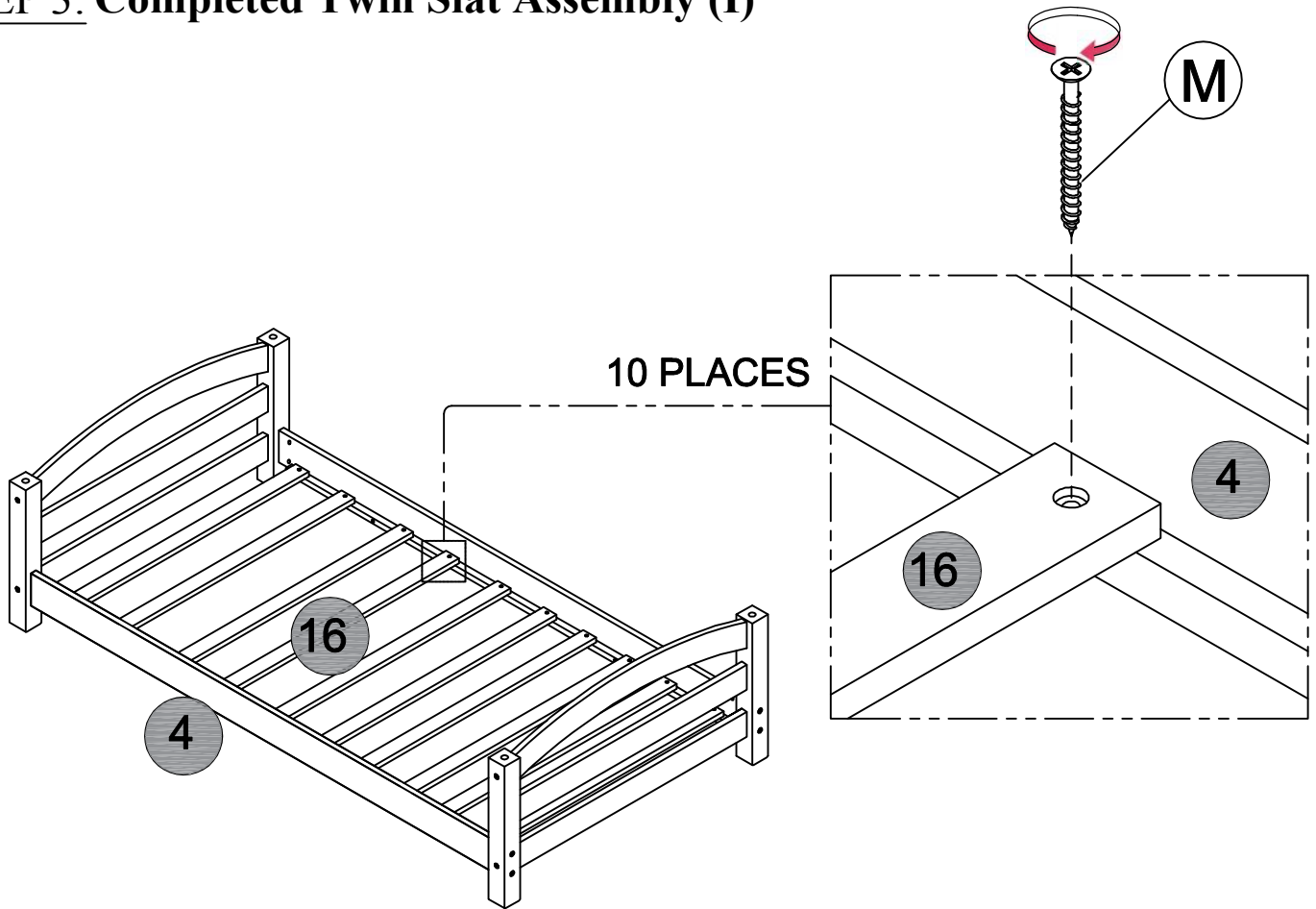
STEP 1: Headboard Assembly (I)
WF192540



STEP 2: Headboard Assembly (I)

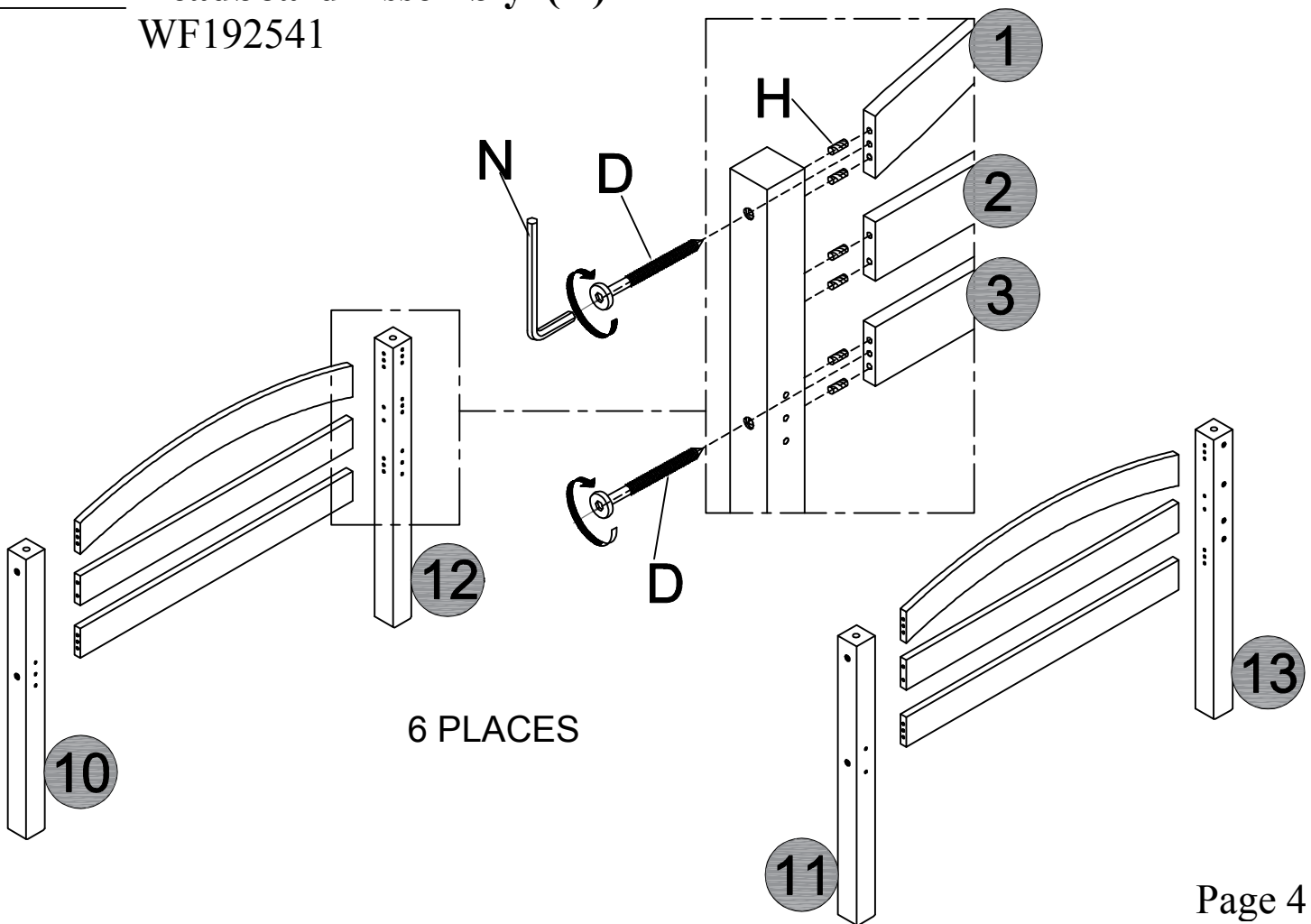


STEP 3: Completed Twin Slat Assembly (I)

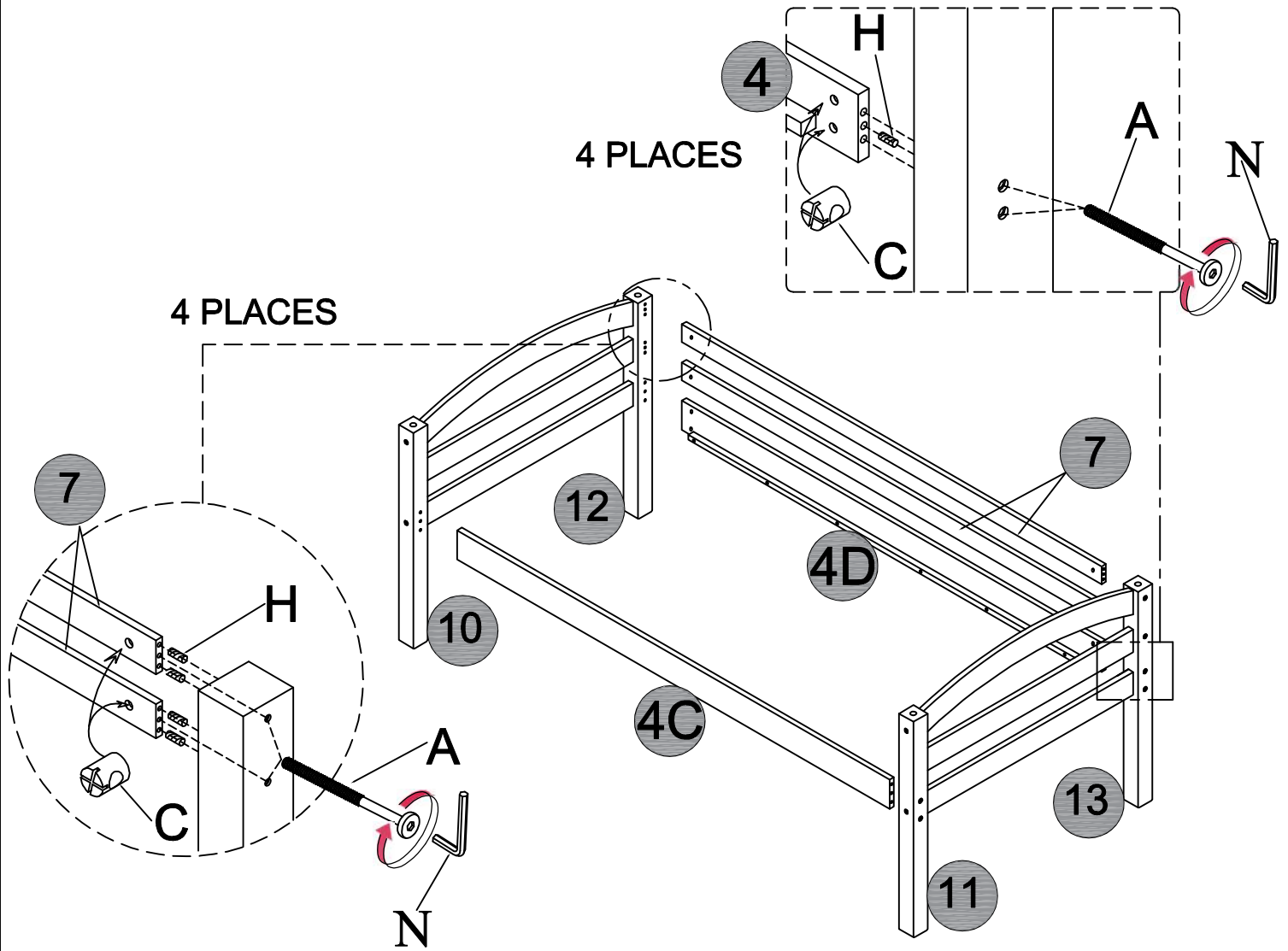


STEP 4: Headboard Assembly (II)

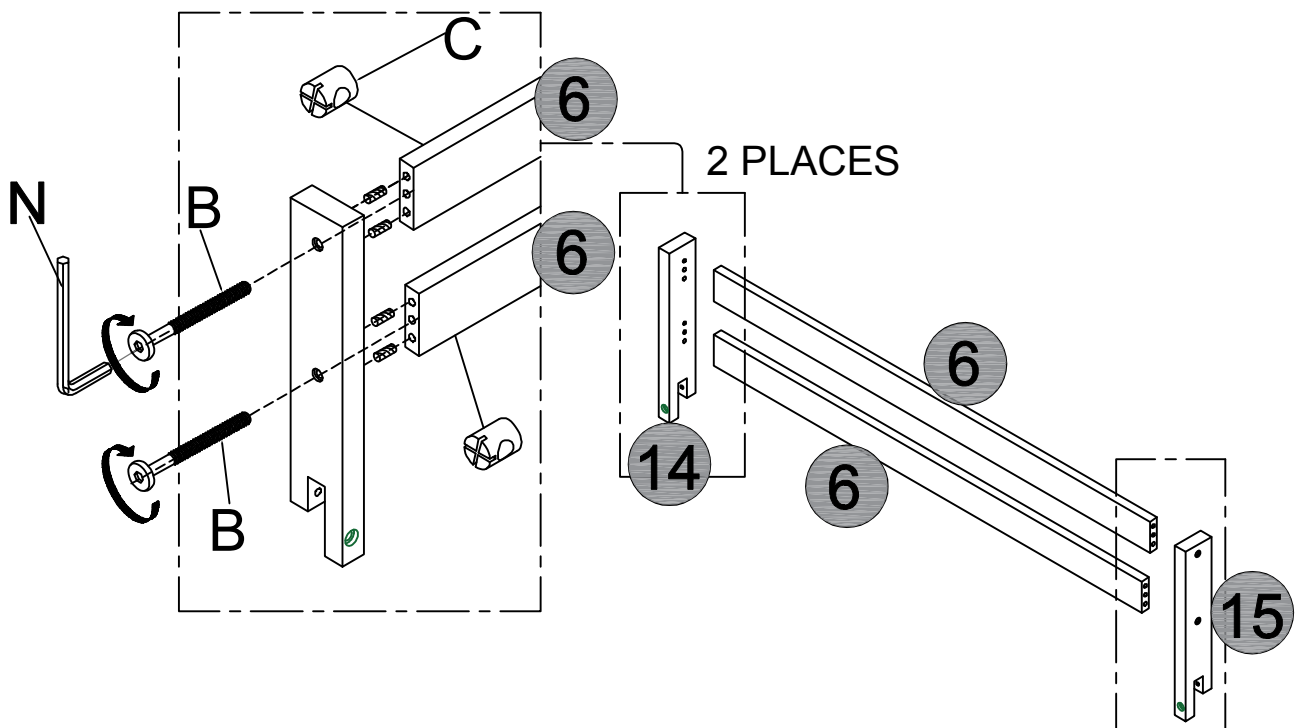
WF192541



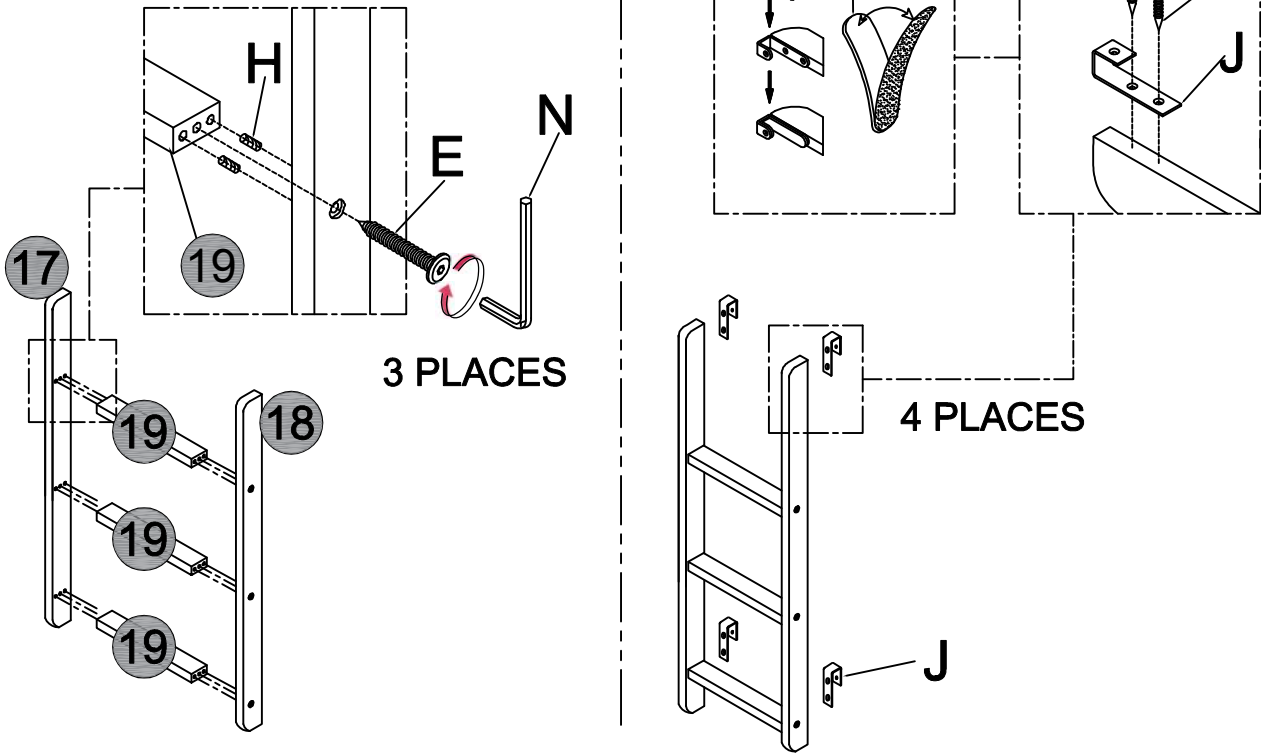
STEP 5: Headboard Assembly (II)



STEP 6: Headboard Assembly (II)



STEP 9: Ladder (II) Assembly



STEP 15: Ladder (I)&(II) Assembly

