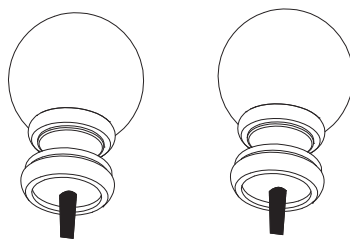


USER CARE & INSTALLATION GUIDE

Package Contents:
2 Finials



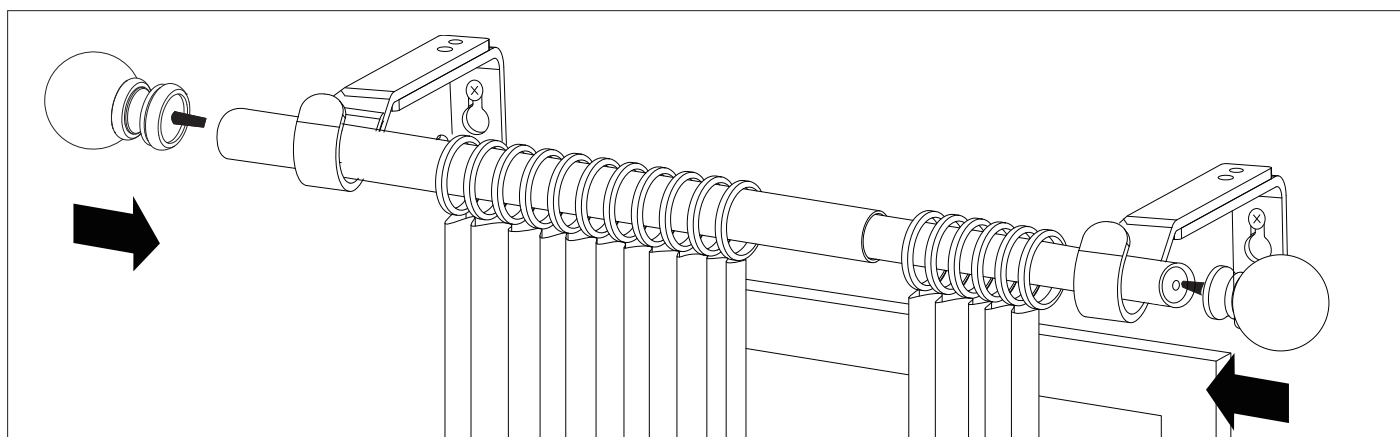
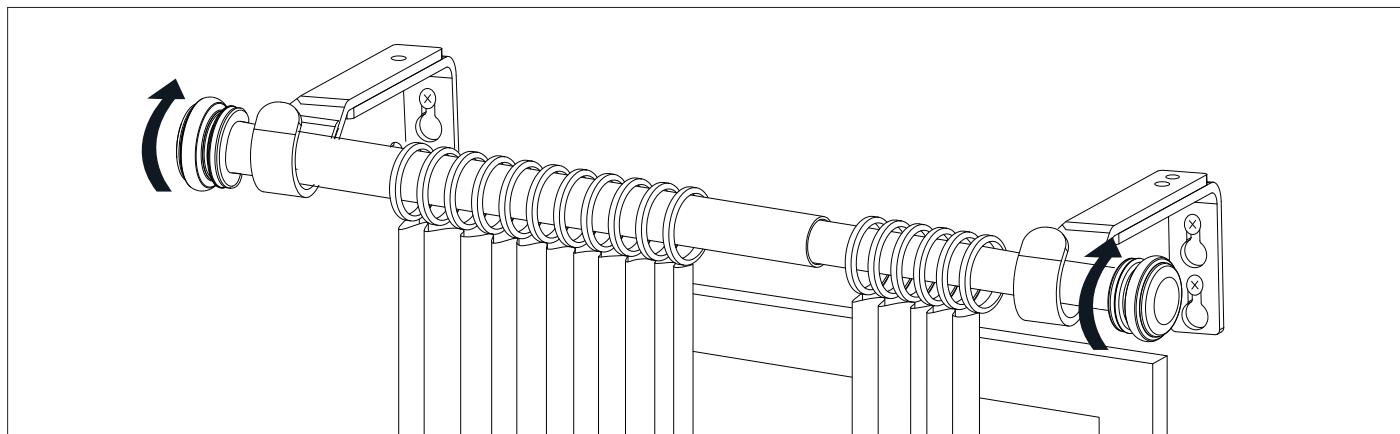
FINIAL INSTALLATION

STEP 1.

Detach original finials from rod.

STEP 2.

Attach new finials on rod. Rotate finial on rod for proper alignment if required.



Care Instruction:

Wipe gently with cloth to clean any sand, dirt, or dust on product. Do not use abrasive cleaners as they may damage the surface finish.