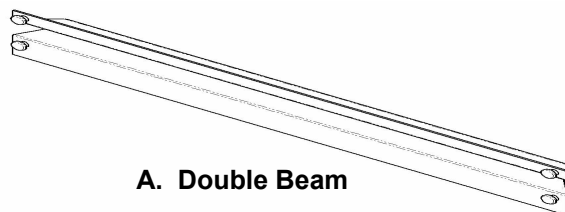
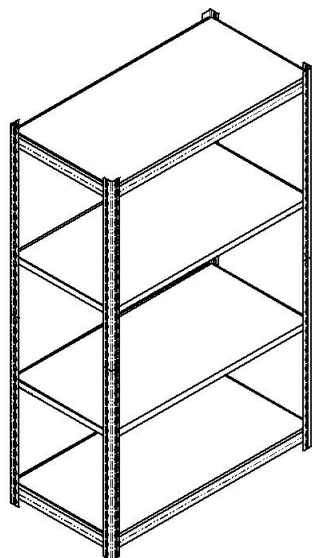


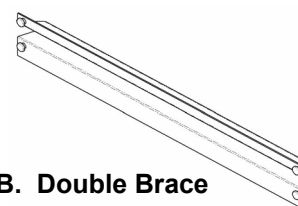


# Steel Storage Rack

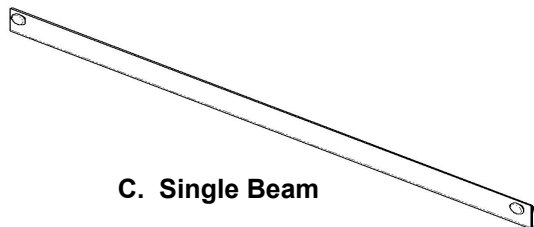
MODEL NUMBER  
UR361860



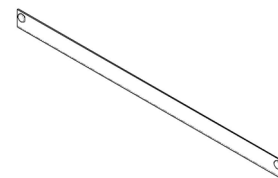
A. Double Beam



B. Double Brace



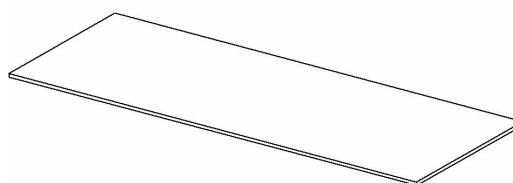
C. Single Beam



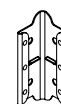
D. Single Brace



E. Post



F. Wood Shelf



G. Post Coupler



H. Post Cap

UR361860 4-Shelf 60"h x 18"d x 36"w		
Description	Qty	Part Number
A. double beam	4	URBM36-GRY
B. double brace	4	URBR18-GRY
C. single beam	4	URBM36S-GRY
D. single brace	4	URBR18S-GRY
E. post	8	URPS36-GRY
F. wood shelf	4	RPB31836
G. coupler	4	CPOUT-GRY
H. post cap	4	RL-PC.B1.4

## Safety Instructions

These units should be placed on a level surface. Failure to do so can result in poor product performance or create a possible safety hazard. This unit should be securely anchored to a wall or floor with suitable fasteners, which are not included. Do not use this unit for anything other than the manufactures intended purpose. **DO NOT STAND ON ANY PART OF THE UNIT, OR USE IT AS A LADDER.** Evenly distribute the weight on each level and always keep the heavier loads on the bottom. Use care when working with metal parts by wearing gloves.

## General Instructions

Assembly is done with the rivets of the beams and braces fitting into the slots of the post. A rubber mallet may be used on the beams and braces to seat the rivets properly. A hammer can also be used, providing one uses a cloth or a block of wood between the hammer head and the parts to prevent damage. Tap gently and be sure the rivets are straight and fully engaged.

Should you have any comments, damage, missing parts, or problems with assembly of this unit contact us:



Chat: [www.edsal.com/chat](http://www.edsal.com/chat) or [www.edsal.com/contact](http://www.edsal.com/contact)



Email: [support@edsal.com](mailto:support@edsal.com)



Phone: 773-475-3131

To obtain replacement parts please provide:

Model Number, Part Number & Description, Location Purchased, and Date Purchased

Edsal Manufacturing Co.  
Chicago, IL 60609

US Patents & Patents Pending

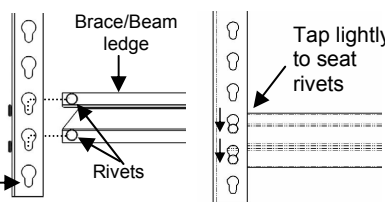
Assembled in USA  
using global components

Rev: C07052018

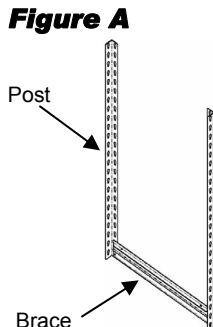
# Assembly Instructions for UR361860

**Step 1**

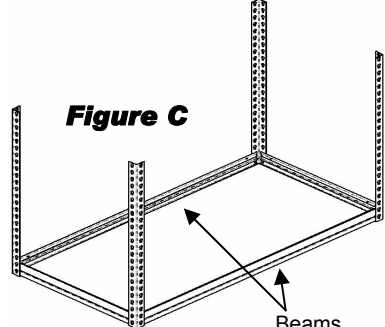
**Figure B**  
Posts are directional. The narrow end of the slots must point down.



**Figure A**

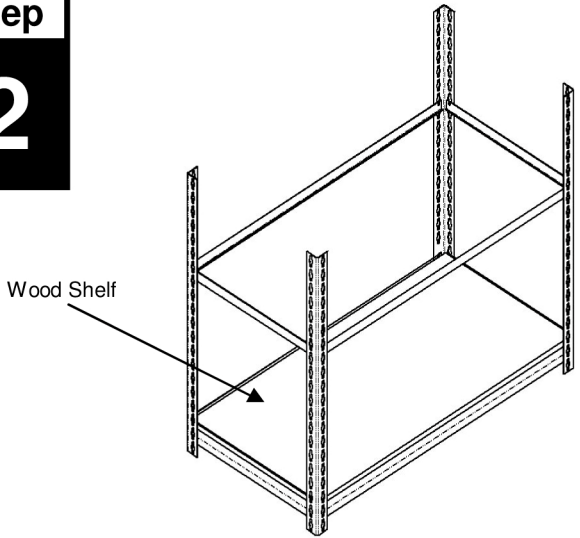


**Figure C**



Assemble two (2) post with one (1) **double** brace (see figure A). Skipping one slot from the bottom of the post, place the rivets into post with the shelf ledge facing up (see figure B). Tap lightly to seat rivets. Repeat with two (2) post and one (1) **double** brace. Assemble the two (2) post end units with two (2) **double** beams (see figure C). Skip one slot from the bottom of post, tap lightly to seat rivets.

**Step 2**

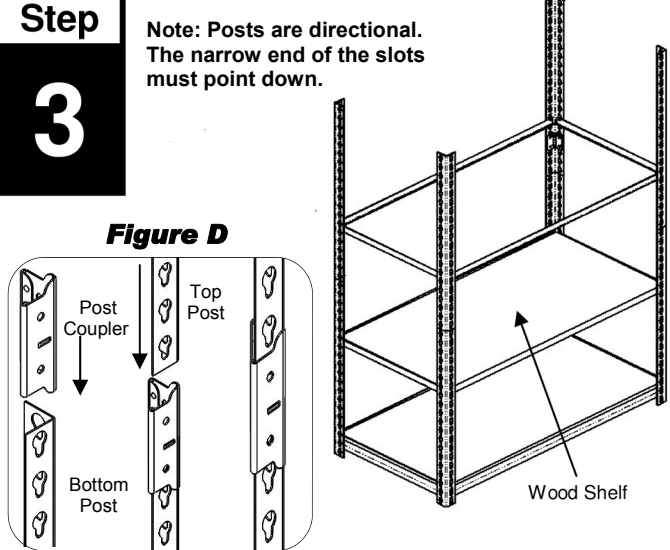


Start by adding a wood shelf to the level previously built, then continue working by adding the second level using two (2) **single** beams and two (2) **single** braces in the post slots of your desired location. Again place the rivets of the beams and braces into the post slot with the shelf ledge facing up and tap lightly to seat the rivets.

**IMPORTANT NOTE : Make sure all rivets are fully seated into the post slots.**

**Step 3**

Note: Posts are directional. The narrow end of the slots must point down.

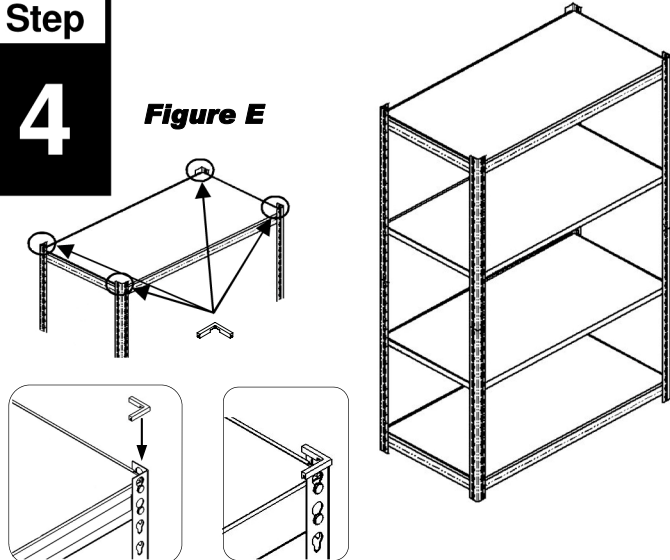


**Figure D**

Add a wood shelf to the previously built level, then assemble the top post to the bottom post by using four (4) of the post couplers. Place the couplers into the top of the bottom post, and the bottom of the top post and tap down to properly seat (see figure D). Continue by adding the third level of **single** beams and **single** braces just above the post couplers. Again tap lightly to seat the rivets.

**Step 4**

**Figure E**



Add a wood shelf to the previously built level, then continue by adding the final level to the unit using two (2) **double** beams and two (2) **double** braces. Tap lightly to properly seat the rivets and add the final wood shelf to the top of the unit. Finally, install the four (4) post caps to the top of each post, by pressing down on the post cap to securely fit into the post (see figure E). Unit is now complete.