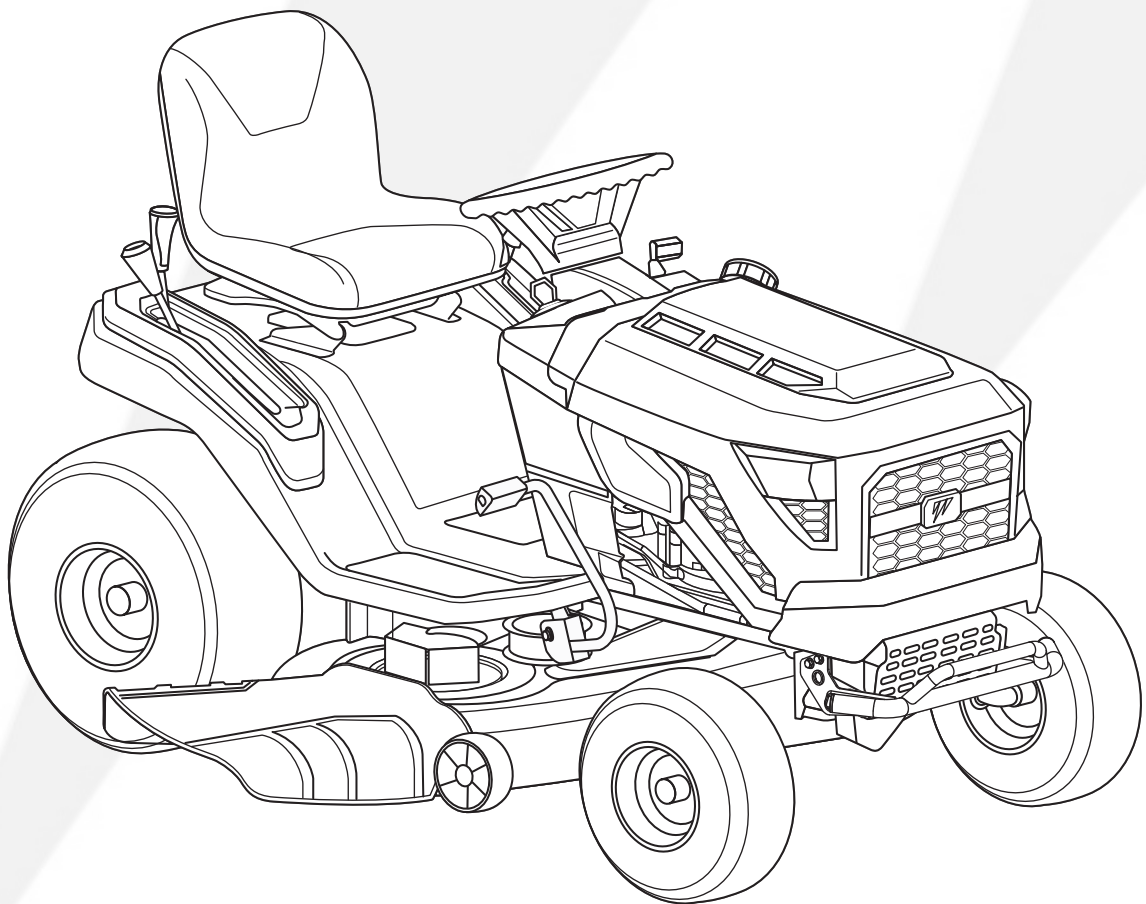




MT200 LAWN TRACTOR

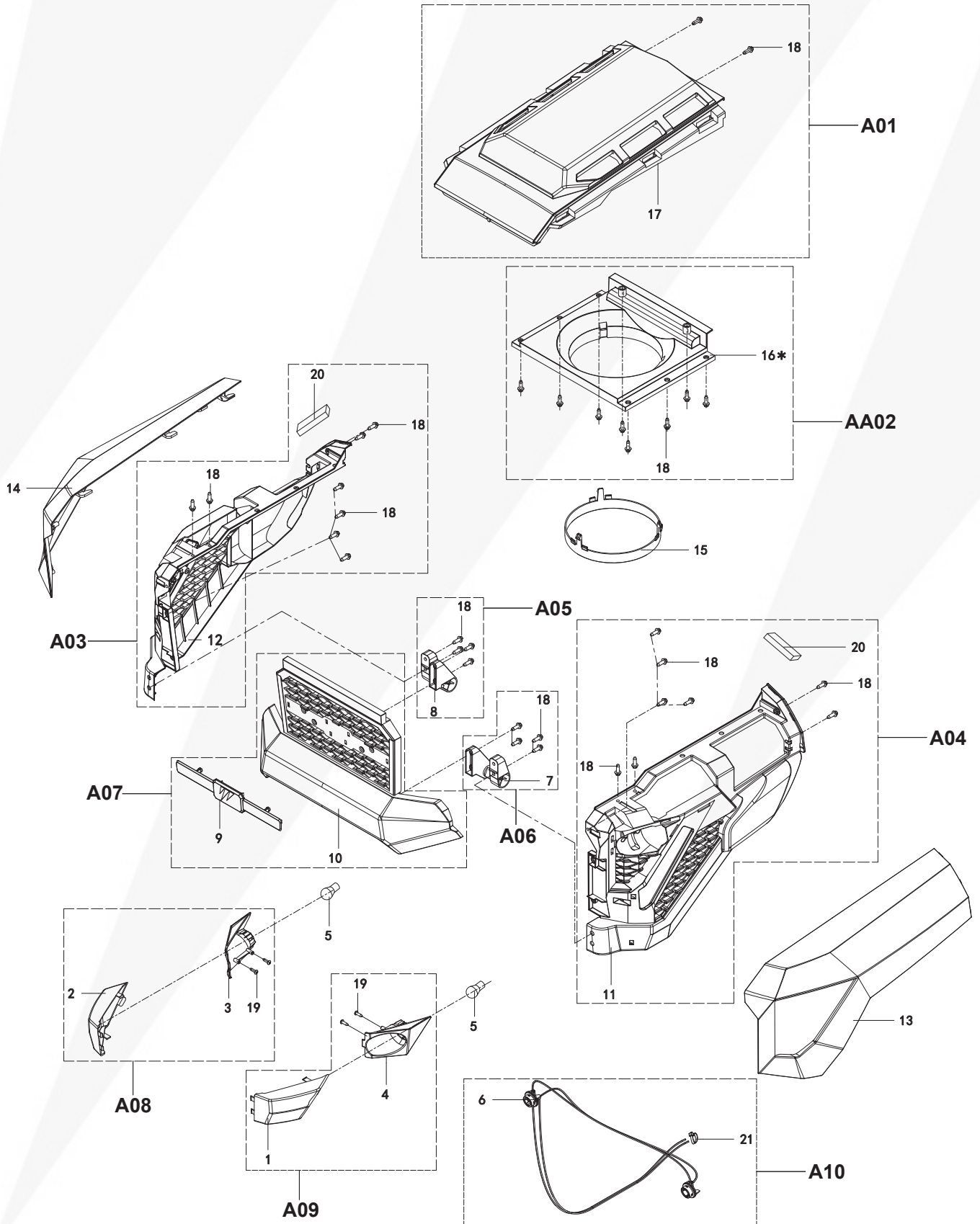
Illustrated Parts List

Model #MYT4219000



Customer Service Number: (855) 693-2582 | www.murray.com

Hood Assembly

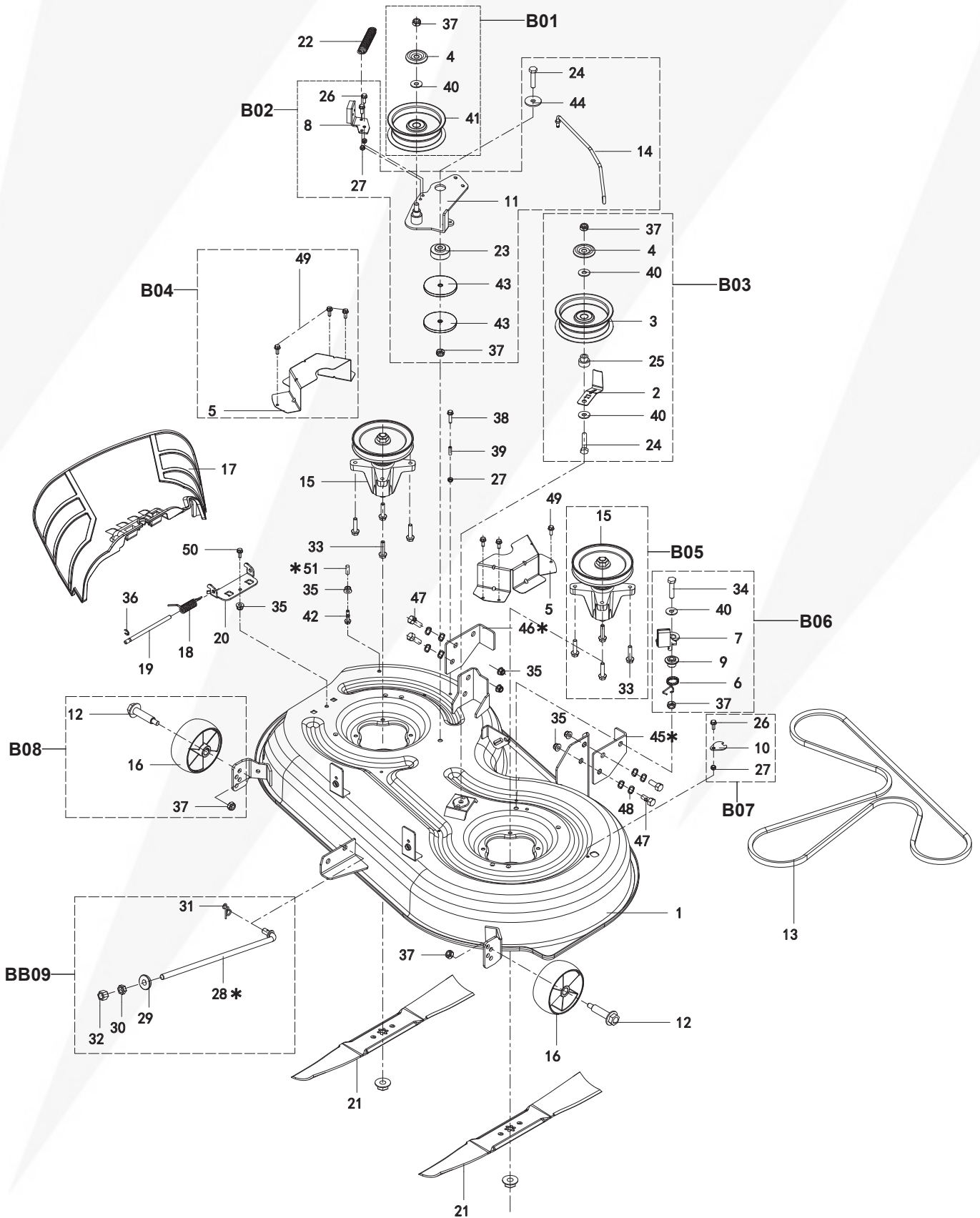


PARTS SOLD INDIVIDUALLY			
REF NO	PART NUMBER	PART DESCRIPTION	UNIQUE
5	2108900234A	Light Bulb	
13	21091002200320A	Head Trim Panel Left	
14	21091002210320A	Head Trim Panel Right	
15	21091002190001A	Blower Ring	

PARTS SOLD AS KITS							
REF NO	PART NUMBER	PART DESCRIPTION	QTY	UNIQUE	Kit	Kit PN	Kit Name
17	21091002170001A	Hood Air Scoop	1		A01	2130200007	Air Intake Hood Kit
18	3011305002	Hex Head Self Tapping Screws	2				
16	21041011900001A	Hood Intake Bracket	1	*	AA02	2130200009	Air Intake Hood Bracket Kit
18	3011305002	Hex Head Self Tapping Screws	8				
12	21091002160001A	Right Hood Cover	1		A03	2130200010	Right Hood Housing Kit
18	3011305002	Hex Head Self Tapping Screws	8				
20	2103900036A	Single Sided Foam	1				
11	21091002150001A	Hood Cover Left Shell	1		A04	2130200011	Left Hood Housing Kit
18	3011305002	Hex Head Self Tapping Screws	8				
20	2103900036A	Single Sided Foam	1				
8	21091001850001A	Hood Bumper Bracket Right	1		A05	2130200012	Hood Right Bracket Kit
18	3011305002	Hex Head Self Tapping Screws	4				
7	21091001840001A	Hood Bumper Bracket Left	1		A06	2130200013	Hood Left Bracket Kit
18	3011305002	Hex Head Self Tapping Screws	4				
9	21091002224173A	Logo Badge	1		A07	2130200014	Hood Front Logo Kit
10	21091002230001A	Front Bumper Cover	1				
2	2109100225A	Headlight Cover Right	1		A08	2130200015	Right Headlight Cover Kit
3	21091001835017A	Lampshade Reflector Cup Right	1				
19	A26800105502	Self Tapping Screws	2				
1	2109100224A	Headlight Cover Left	1		A09	2130200016	Left Headlight Cover Kit
4	21091001825017A	Lampshade Reflector Cup Left	1				
19	A26800105502	Self Tapping Screws	2				
6	2108900298A	Lamp Socket Connection Line	1		A10	2130200017	Headlight Holder Connecting Wire Kit
21	2013900164	Nylon Cable Tie	1				

*PART IS UNIQUE TO THE MT200. PART IS NOT SHARED WITH THE MT100.

Deck Assembly



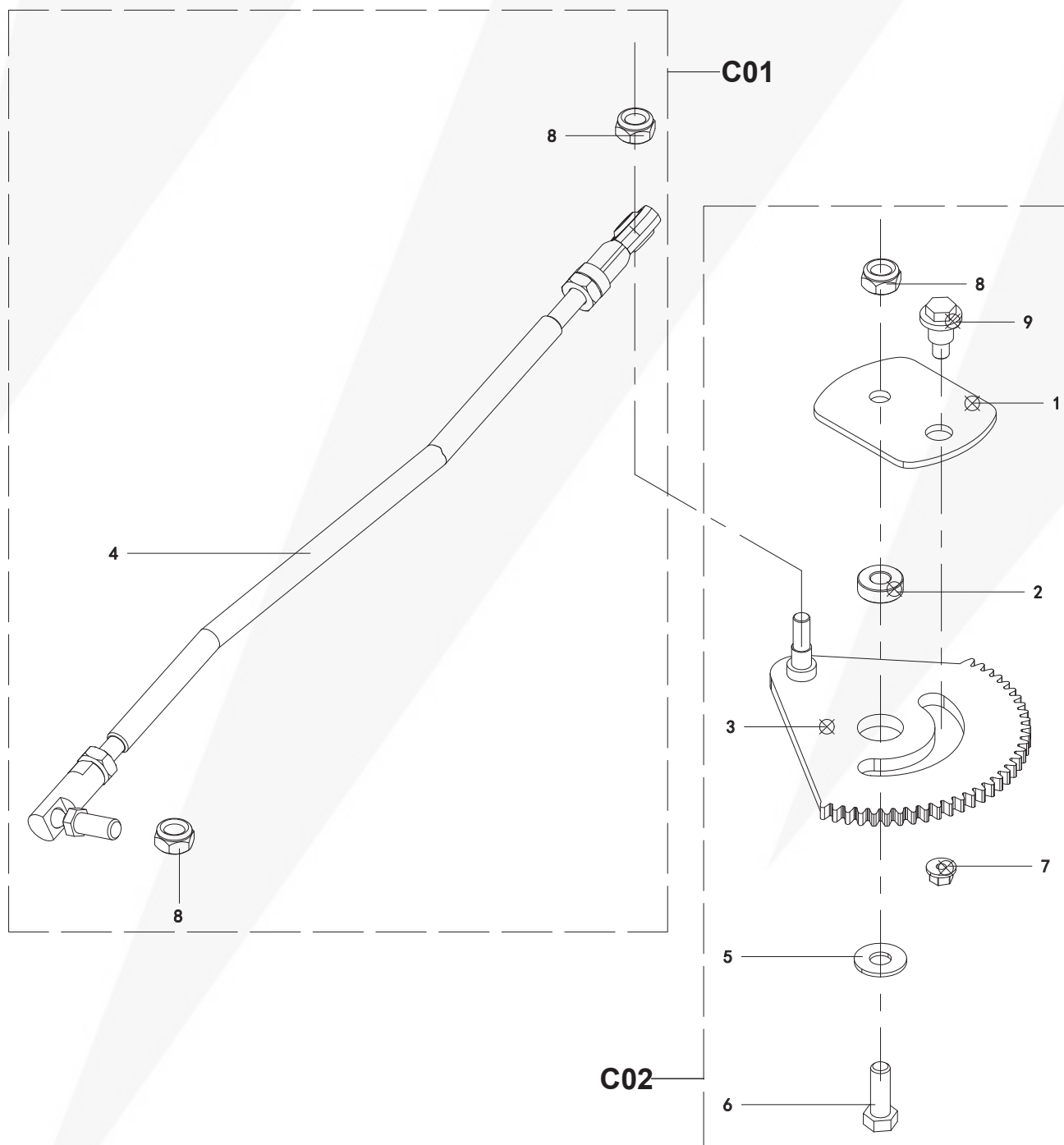
PARTS SOLD INDIVIDUALLY			
REF NO	PART NUMBER	PART DESCRIPTION	UNIQUE
1	21035002110320A	Deck Assembly	
13	2109600037A	Belt	
17	21091001990001A	Side Protection Cover	
18	2103800033A	Side Row Fixed Plate Torsion Spring	
19	2103900033A	Fixed Shaft	
20	2103300159A	Side Row Fixing Plate	
21	2105200368A	Mower Blade w/ Bolt	
22	2103800032A	Tensioner Bracket Tension Spring	
27	30313090035014	Hexagon Lock Nut M6	
35	30323040025014	Hex Flange Face Lock Nut M8	
36	A26800900101	Split Ring	
38	30913070035014	Hex Head Bolt M6	
39	2032400001A	Bushing 1	
42	30913070225014	Hex Head Flange Bolt M8 x 25	
45	21092001280320A	CVT Deck Plate, (L)	*
46	21092001290320A	CVT Deck Plate, (R)	*
47	2103300147A	Step Bolt, M8	
48	A26800706202	Wave Gasket	
50	A26800623601	Hex Head Flange Bolt	
51	2106600036A	Tension Spring Spacer	*

*PART IS UNIQUE TO THE MT200. PART IS NOT SHARED WITH THE MT100.

PARTS SOLD AS KITS							
REF NO	PART NUMBER	PART DESCRIPTION	QTY	UNIQUE	KIT	KIT PN	KIT NAME
4	2103900024A	Tension Wheel Cover	1		B01	2130200018	Right Tensioning wheel Kit
37	30313090085014	Hex Lock Nut	1				
40	2106300376A	Flat Washers	1				
41	2101300242A	Right Tensioner	1				
8	2105900005B	Brake Pad Right Bracket Assembly	1		B02	2130200019	Right Tensioning Pulley Fixing Support Kit
11	2103300157A	Right Tensioner Fixing Bracket	1				
14	2103300160A	Pull Rod	1				
23	2103400007A	Right Tensioner Fixing Bracket Bushing	1				
24	30913030045000	Hex Head Bolt M10 x 45	1				
26	3091308005	Hex Head Flange Bolts M6 x 16	2				
27	30313090035014	Hex Lock Nut M6	2				
37	30313090085014	Hex Lock Nut	1				
43	2109300265A	Gasket	2				
44	2103300161A	Flat Washers	1				
2	2103300154A	Left Tensioner Belt Limiter	1				
3	2103900023A	Tensioner	1				
4	2103900024A	Tension Wheel Cover	1				
24	30913030045000	Hex Head Bolt M10 x 45	1				
25	2103400008A	Left Tensioner Hub	1				
37	30313090085014	Hex Lock Nut	1				
40	2106300376A	Flat Washers	2		B04	2130200021	Tensioner Protective Support
5	21039000250320A	Tensioner Protection Bracket	1				
49	23033000485000A	Self Tapping Bolt, M6 x 16	3		B05	2130200022	Blade Support Bolt Kit
15	2109300156A	Tool Holder Assembly	1				
33	30913070185014	Hex Head Flange Bolt M8 x 2	4		B06	2130200023	Left Brake Kit
6	2103800031A	Left Bracket Torsion Spring	1				
7	2105900004A	Brake Pad Left Bracket Assembly	1				
9	2103400006A	Brake Pad Left Bracket Bushing	1				
34	30913040175014	Hex Head Bolt M10 x 40	1				
37	30313090085014	Hex Lock Nut	1				
40	2106300376A	Flat Washers	1		B07	2130200024	Flushing Cover Plate Kit
10	2103300156B	Wash Port Cover Plate	1				
26	3091308005	Hex Head Flange Bolts M6 x 16	1				
27	30313090035014	Hex Lock Nut M6	1		B08	2130200025	Auxiliary Wheel Kit
12	2109300195A	Special Bolts	1				
16	21091001980001A	Auxiliary Wheel	1				
37	30313090085014	Hex Lock Nut	1				
28	2109300262A	Front Deck Rod	1	*	BB09	2130200027	Deck Front Link Kit
29	2103900031A	Connector	1				
30	30313070015014	Hex Thin Nut M12	1				
31	2269800006A	Pin B	1				
32	3031309012	Hex Lock Nut M12	1				

*PART IS UNIQUE TO THE MT200. PART IS NOT SHARED WITH THE MT100.

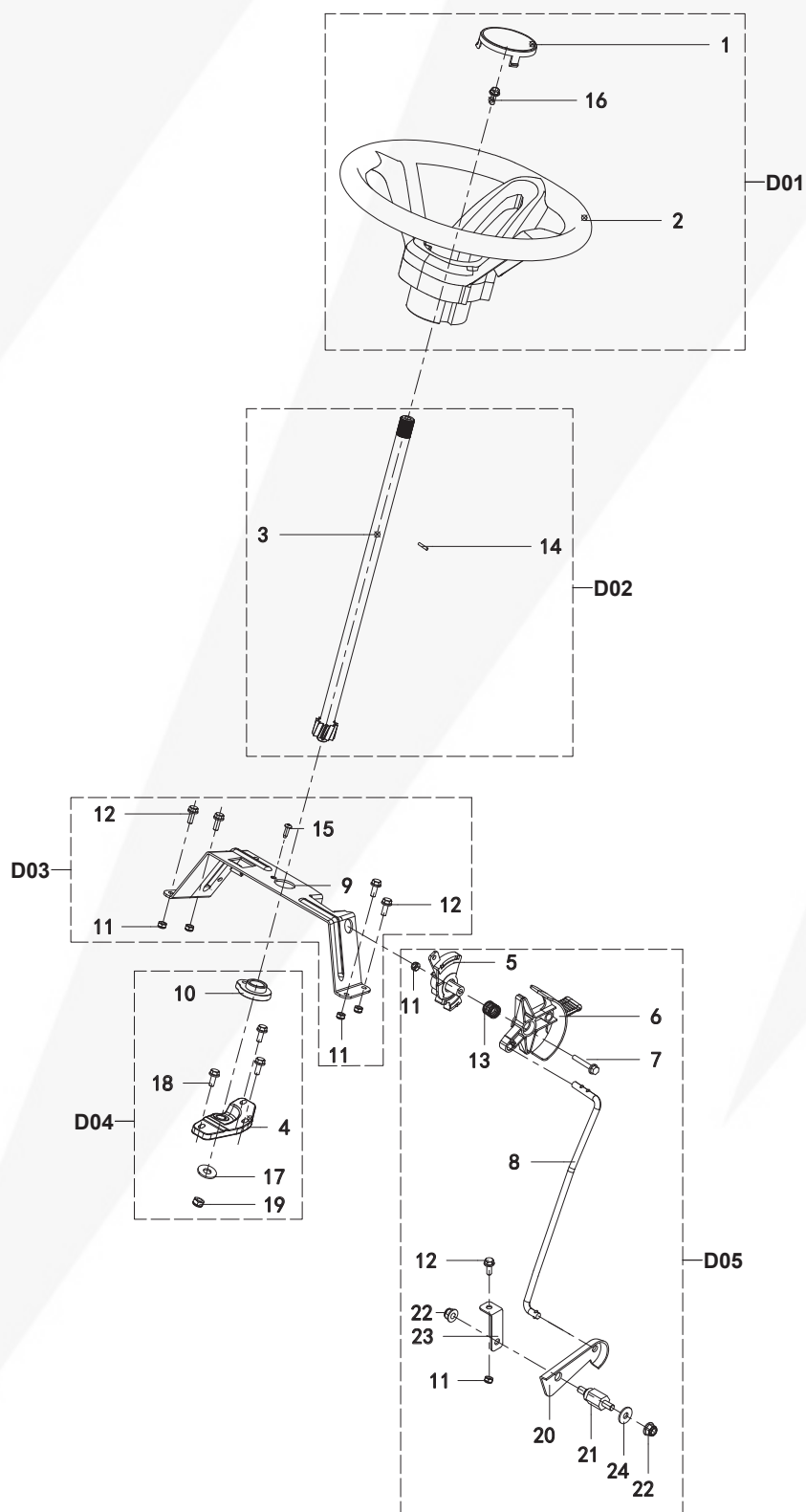
Steering Assembly - Bottom



PARTS SOLD AS KITS							
REF NO	PART NUMBER	PART DESCRIPTION	QTY	UNIQUE	KIT	KIT PN	KIT NAME
4	2106300425A	Steering Ball Joint Rod	1		C01	2130200028	Steering Ball Joint Connecting Rod Kit
8	30313090085014	Hex Lock Nut	2				
1	2106300374A	Steering Gear Plate	1		C02	2130200029	Steering Sector Gear Kit
2	2106300375A	Tooth Plate Bushing	1				
3	2106500015A	Steering Sector Gear Weldingr	1				
5	2106300376A	Flat Washers	1				
6	30913040165000	Hex Head Bolt M10 x 35	1				
7	30323040025014	Hex Flange Face Lock Nut M8	1				
8	30313090085014	Hex Lock Nut	1				
9	2103300147A	Special Large Carriage Bolt M8	1				

*PART IS UNIQUE TO THE MT200. PART IS NOT SHARED WITH THE MT100.

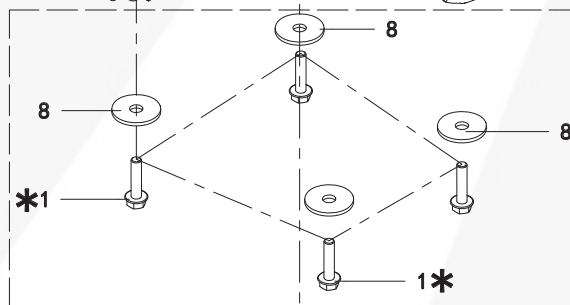
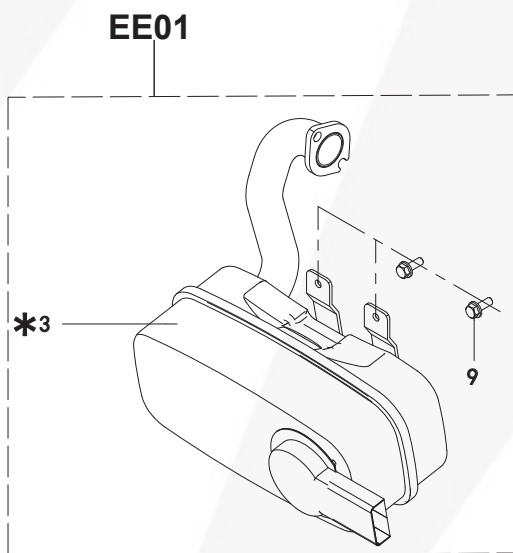
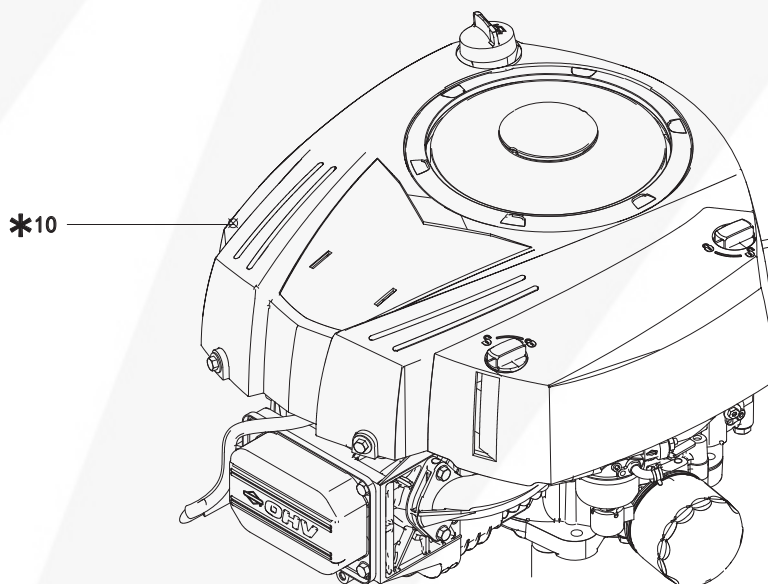
Steering Assembly - Top



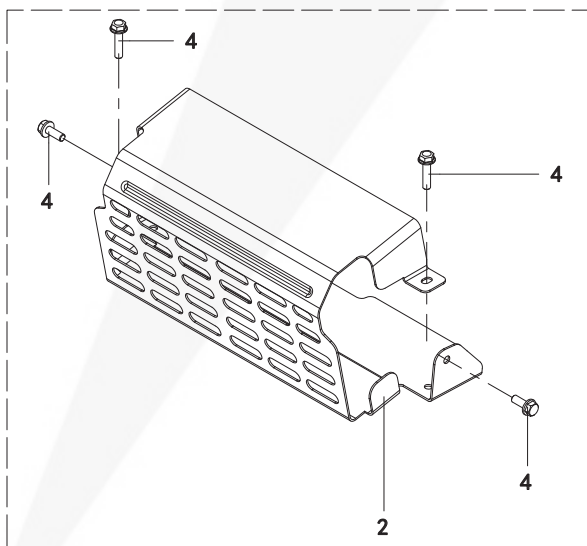
PARTS SOLD AS KITS							
REF NO	PART NUMBER	PART DESCRIPTION	QTY	UNIQUE	KIT	KIT PN	KIT NAME
1	21091001800001A	Steering Wheel Cover	1		D01	2130200030	Steering Wheel Kit
2	21091001790001A	Steering Wheel	1				
16	30913070225014	Hex Head Flange Bolts M8	1				
3	2106500016A	Turn Welding	1		D02	2130200031	Steering Welding Rod Kit
14	3082304006	Elastic Cylindrical Pin 5 x 26	1				
9	21032003830001A	Steering Wheel Fixing Bracket	1		D03	2130200032	Steering Wheel Support Kit
11	30313090035014	Hex Lock Nut M6	4				
12	3091308005	Hex Head Flange Bolts M6 x 16	4				
15	A26800105502	Self-Tapping Screws	1				
4	2109100226A	Steering Support Seat	1		D04	2130200033	Steering Support Kit
10	2109100210A	Fixed Support	1				
17	2106300376A	Flat Washers	1				
18	23033000485014A	Flange Triangle Self-Tapping Bolt	3				
19	30313090085014	Hex Lock Nut	1				
5	2109100207A	Parking Gear Tooth Plate	1		D05	2130200034	Parking Brake Kit
6	21091002060322A	Parking Mechanism Trigger	1				
7	30913070135000	Hex Flange Bolts	1				
8	2109300162A	Parking Lever	1				
11	30313090035014	Hex Lock Nut M6	2				
12	3091308005	Hex Head Flange Bolts M6 x 16	1				
13	2426800001A	Tooth Spring	1				
20	2106300382A	Parking Pallet	1				
21	2106300384A	M8 Double-Ended Step Bolt	1				
22	30323040025014	Hex Flange Face Lock Nut M8	2				
23	2106300386A	Parking Support Plate	1				
24	2102200018A	Large Washer	1				

*PART IS UNIQUE TO THE MT200. PART IS NOT SHARED WITH THE MT100.

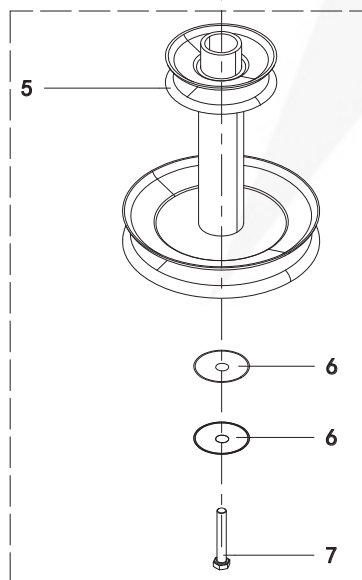
Engine Assembly



EE02



E03



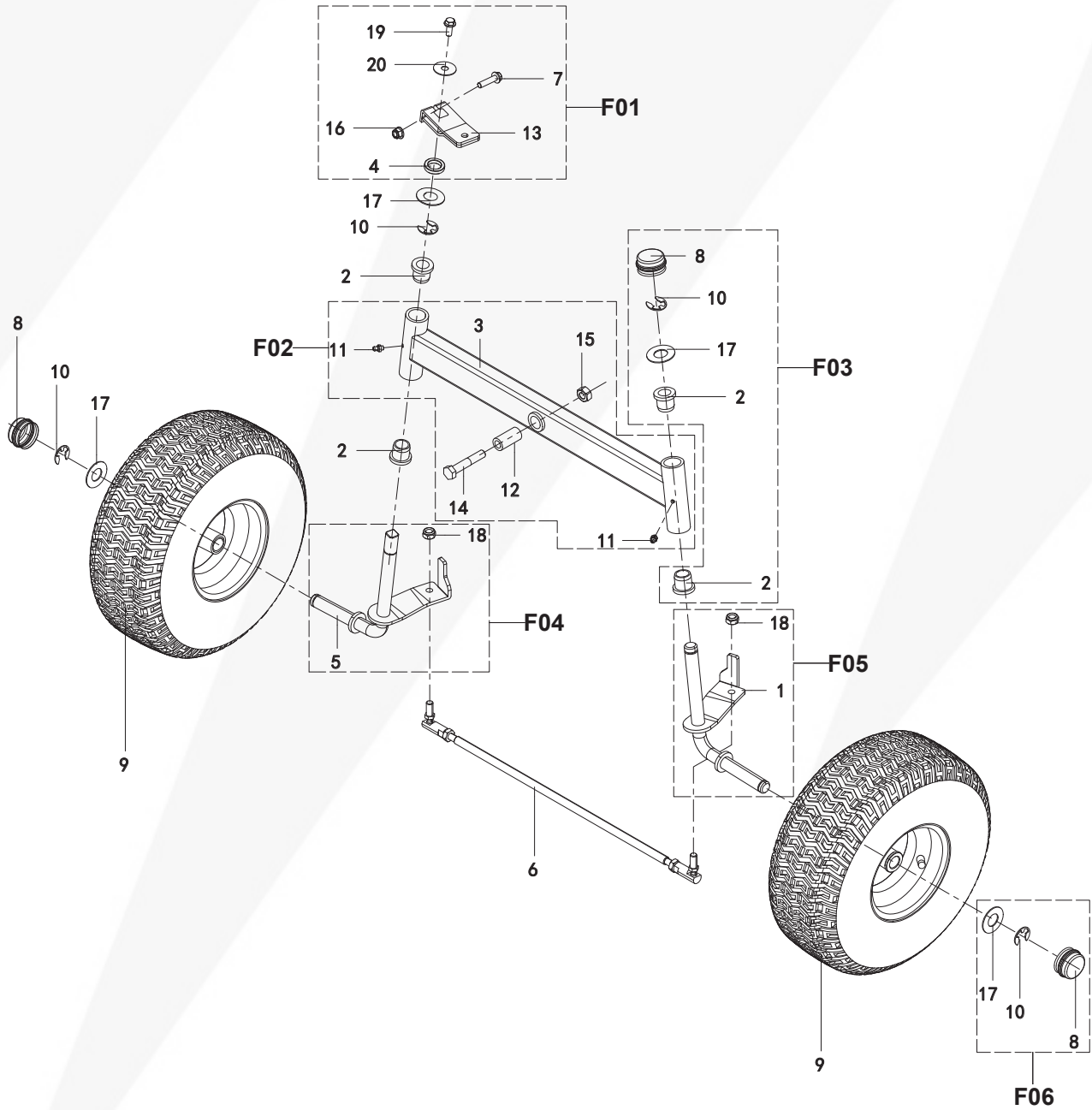
E04

PARTS SOLD INDIVIDUALLY			
REF NO	PART NUMBER	PART DESCRIPTION	UNIQUE
10	H2030100392A	Engine Assembly, B&S EX1900/540CC/19.0HP	*

PARTS SOLD AS KITS							
REF NO	PART NUMBER	PART DESCRIPTION	QTY	UNIQUE	KIT	KIT PN	KIT NAME
3	2109500023A	Muffler Assembly	1	*	EE01	2130200036	Muffler Kit
9	2109300242A	Triangular Self-Tapping Screw	2				
1	2103300142A	Self Tapping Bolts, 3/8 - 16	4	*	EE02	2130200037	Fixing Engine Bolt Kit
8	2103300161A	Flat Washers	4				
2	21092001090001A	Muffler Iron Cover	1		E03	2130200039	Muffler Steel Cover Kit
4	3091308005	Hex Head Flange Bolts M6 x 16	4				
5	2109500020A	Drive Pulley	1		E04	2130200040	Driving Pulley Kit
6	2105300073A	Butterfly Washer	2				
7	2103300152A	Special Bolts	1				

*PART IS UNIQUE TO THE MT200. PART IS NOT SHARED WITH THE MT100.

Front Axle Assembly

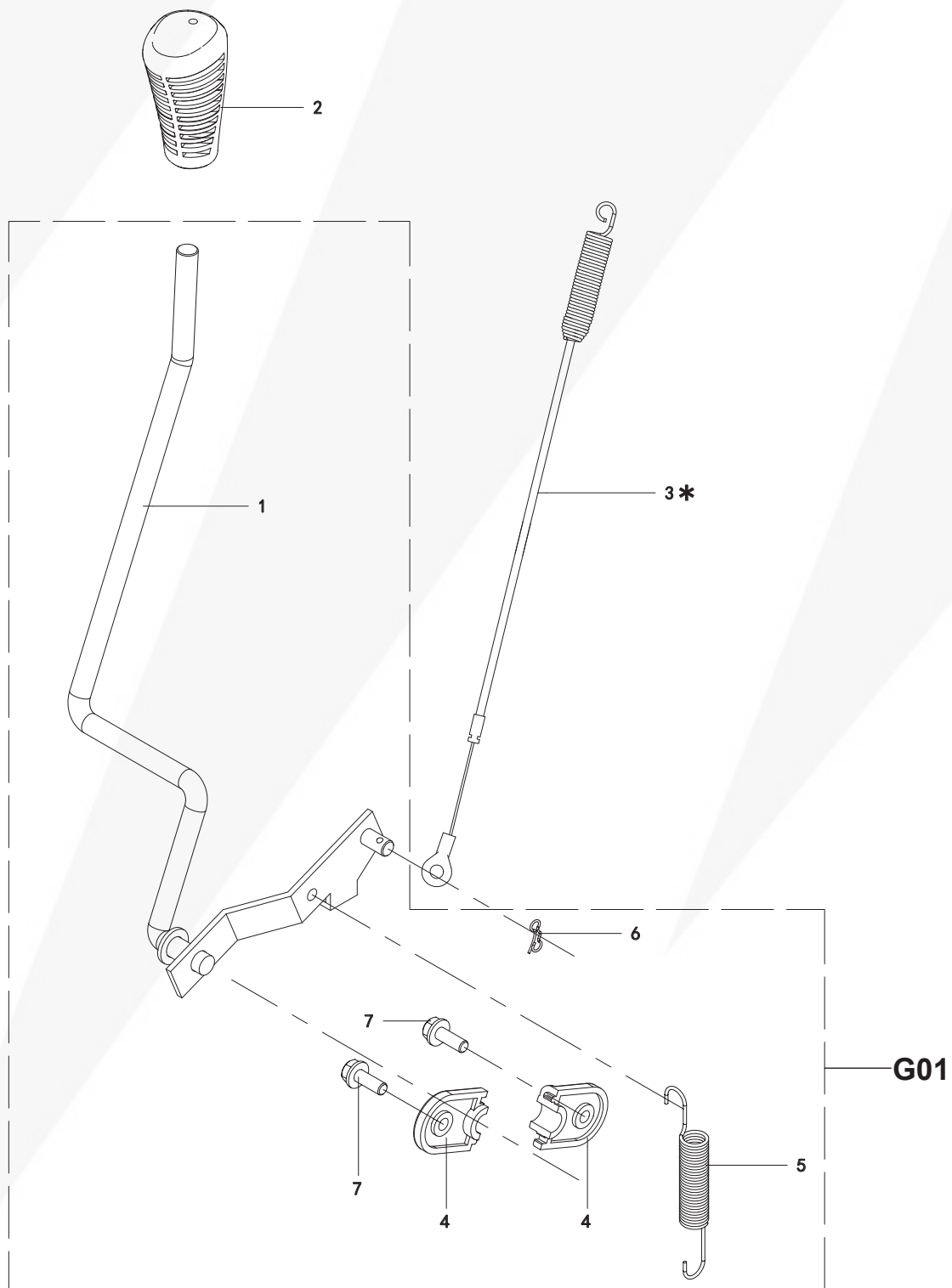


PARTS SOLD INDIVIDUALLY			
REF NO	PART NUMBER	PART DESCRIPTION	UNIQUE
2	2103400005A	Large Washer	
6	2103300149A	Front Suspension Rod	
9	2101900016A	15" Wheel Assembly	
10	3043301006	C-Clip	
17	2109300236B	Large Washer	

PARTS SOLD KITS							
REF NO	PART NUMBER	PART DESCRIPTION	QTY	UNIQUE	KIT	KIT PN	KIT NAME
4	2103300150A	Front Suspension Iron Sleeve	1		F01	2130200041	Turning Arm Kit
7	20313000995014A	Hex Head Flange Bolts	1				
13	2103300151A	Steering Knuckle Arm Assembly	1				
16	30323040025014	Hex Flange Face Lock Nut M8	1				
19	30913070185014	Hex Head Flange Bolts M8 x 20	1				
20	2102200018A	Large Washer	1		F02	2130200042	Front Suspension Arm Kit
3	2103500208A	Front Cantilever	1				
11	3131301002	Straight-Through Pressure Filling Cup	2				
12	2103300246A	Front Cantilever Spacer	1				
14	3091303012	Hex Head Bolts	1				
15	3031309012	Hex Lock Nut M12	1		F03	2130200043	Front Suspension Sleeve Kit
2	2103400005A	Steering Knuckle Cap	2				
8	2109100204A	Plastic Cap	1				
10	3043301006	C-Clip	1				
17	2109300236B	Large Washer	1		F04	2130200044	Right Turning Kit
5	2109500010A	Right Steering Knuckle Assembly	1				
18	30313090085014	Hex Lock Nut	1		F05	2130200045	Left Turning Kit
1	2109500009A	Left Steering Knuckle Assembly	1				
18	30313090085014	Hex Lock Nut	1		F06	2130200046	Wheel Cap Kit
8	2109100204A	Plastic Cap	1				
10	3043301006	C-Clip	1				
17	2109300236B	Large Washer	1				

*PART IS UNIQUE TO THE MT200. PART IS NOT SHARED WITH THE MT100.

Blade Engagement Assembly

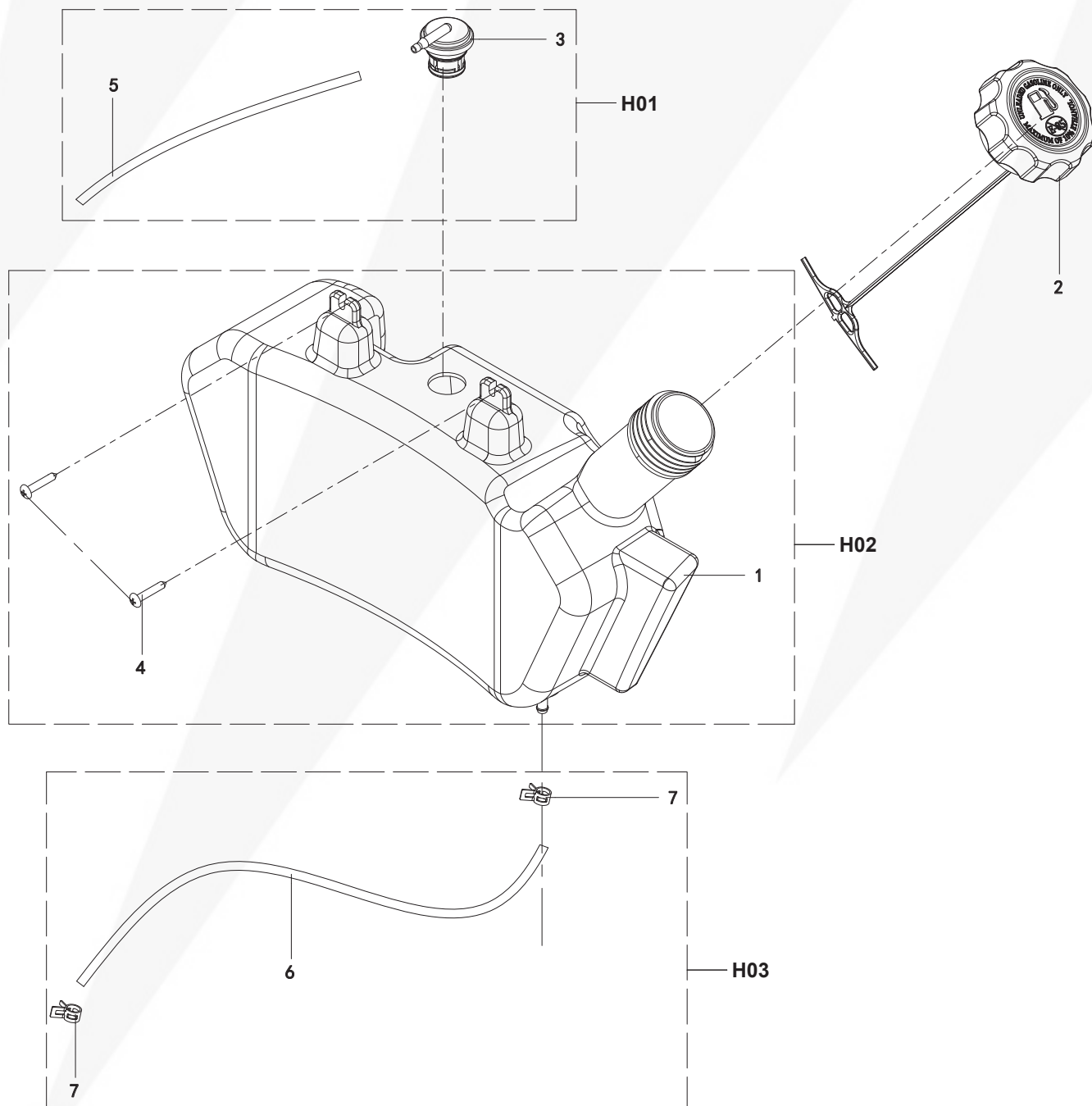


PARTS SOLD INDIVIDUALLY			
REF NO	PART NUMBER	PART DESCRIPTION	UNIQUE
2	21061008240322A	Clutch Handle	
3	2109800292A	Blade Engagement Tension Cable	*
5	2109800253A	Clutch Return Tension Spring	

PARTS SOLD AS KITS							
REF NO	PART NUMBER	PART DESCRIPTION	QTY	UNIQUE	KIT	KIT PN	KIT NAME
1	2102500001A	Belt Clutch Welding	1		G01	2130200047	Belt Clutch Kit
4	21091001880001A	Mowing Tension Arm Mount	2				
6	23093000195000B	Pin B	1				
7	23033000485014A	Flange Triangle Self-Tapping Bolt	2				

*PART IS UNIQUE TO THE MT200. PART IS NOT SHARED WITH THE MT100.

Fuel Tank Assembly

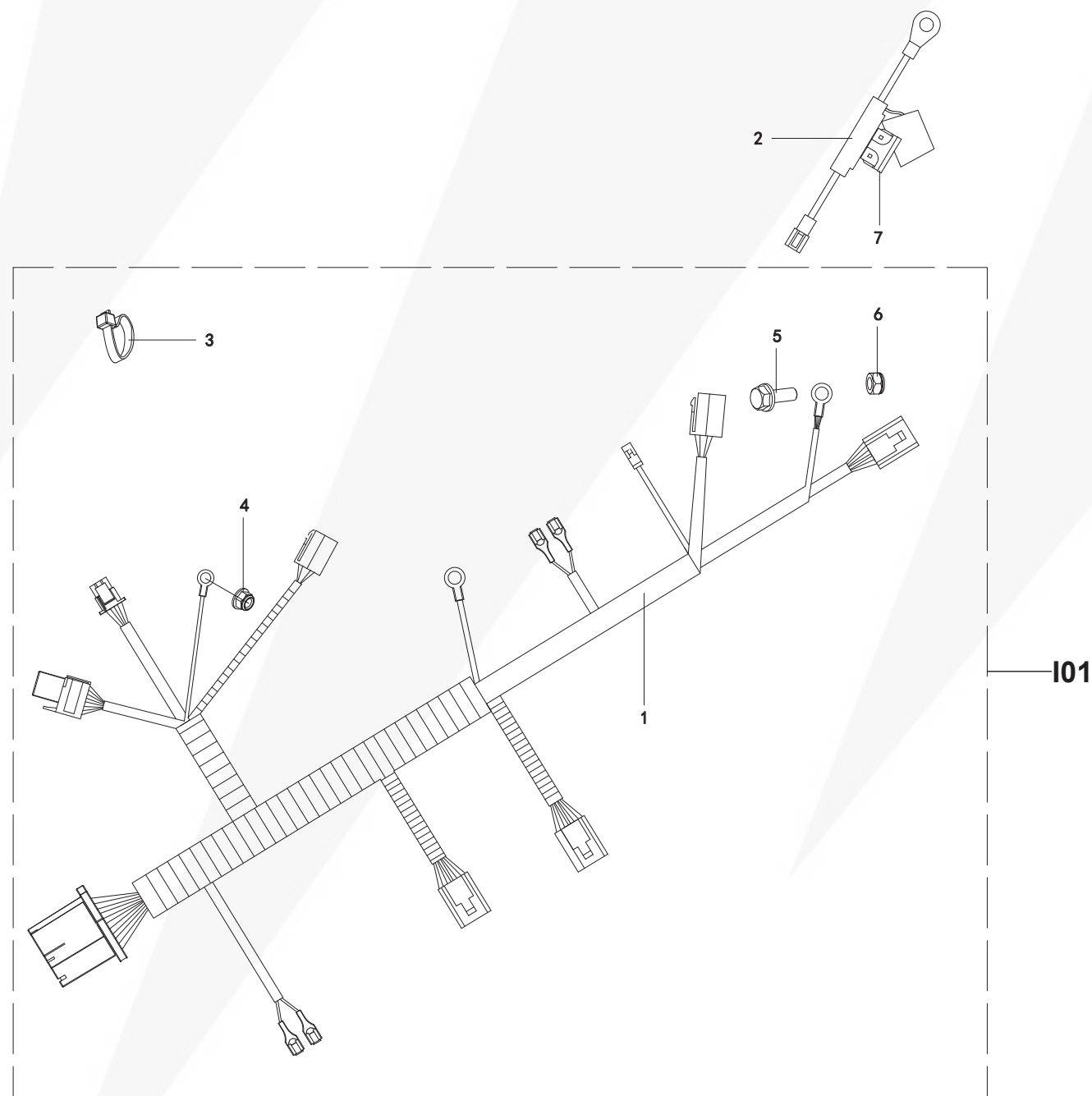


PARTS SOLD INDIVIDUALLY			
REF NO	PART NUMBER	PART DESCRIPTION	UNIQUE
2	2109100202A	Fuel Tank Cap Assembly	

PARTS SOLD AS KITS							
REF NO	PART NUMBER	PART DESCRIPTION	QTY	UNIQUE	KIT	KIT PN	KIT NAME
3	2109100161A	Fuel Tank Breather Valve	1		H01	2130200048	Tank Breather Valve Kit
5	2109100175A	Intake Pipe	1				
1	2109100203A	Tank	1		H02	2130200049	Oil Tank Kit
4	A26800104801	Self-Tapping Screws	2		H03	2130200050	Tubing Kit
6	2109600038A	Tubing	1				
7	2109900154A	Spring Clamp	2				

*PART IS UNIQUE TO THE MT200. PART IS NOT SHARED WITH THE MT100.

Wiring Harness Assembly

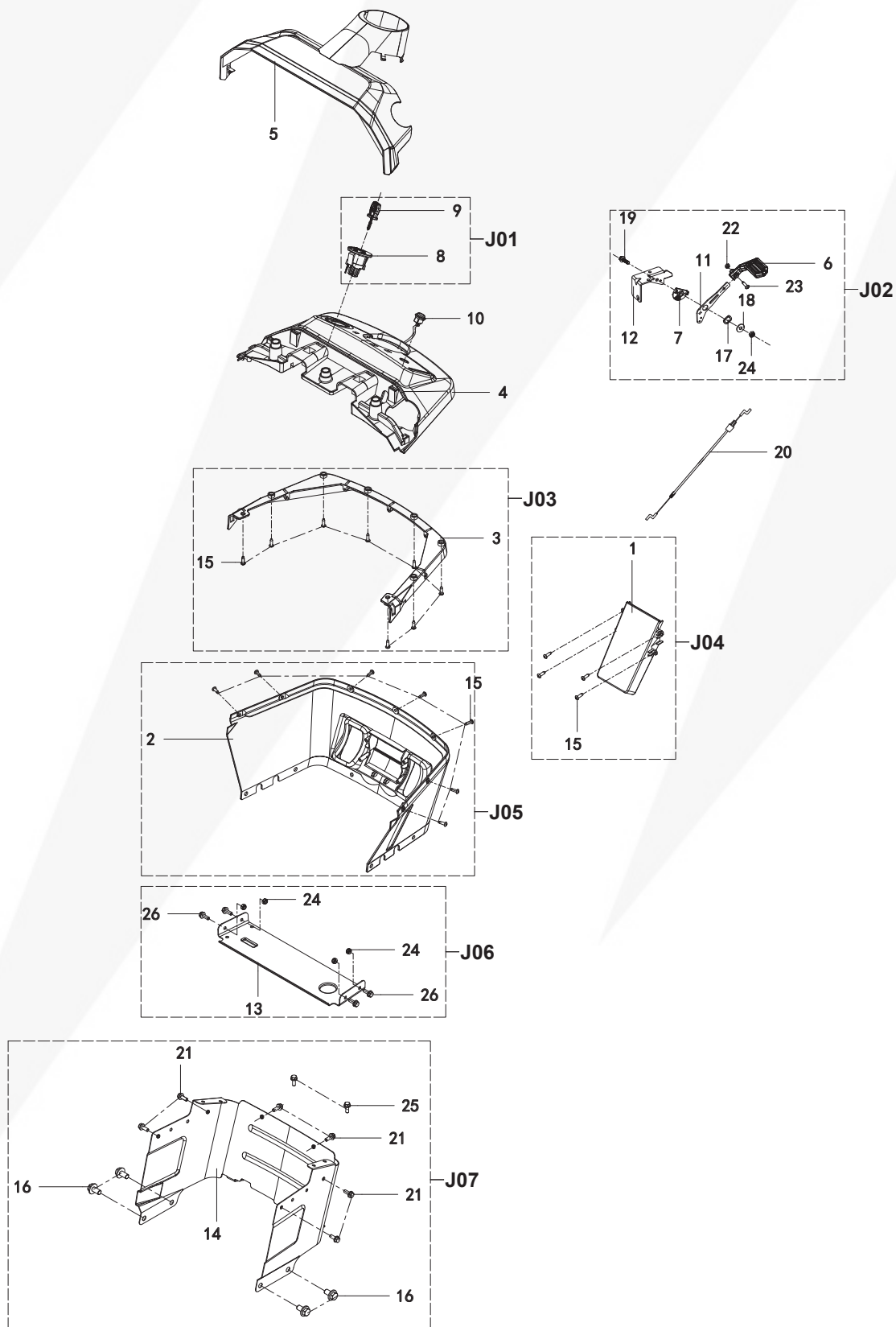


PARTS SOLD INDIVIDUALLY			
REF NO	PART NUMBER	PART DESCRIPTION	UNIQUE
2	2108900303A	Fuse Holder Assembly	
7	2108100081A	20A Fuse	

PARTS SOLD AS KITS							
REF NO	PART NUMBER	PART DESCRIPTION	QTY	UNIQUE	KIT	KIT PN	KIT NAME
1	2108900300A	Wiring Harness Assembly	1		I01	2130200051	Wire Harness Kit
3	2013900143	Nylon Cable Ties	8				
4	2102300203A	Hex Flange Nuts	1				
5	3091308005	Hex Head Flange Bolt M6 x 16	1				
6	30313090035014	Hex Lock Nut M6	1				

*PART IS UNIQUE TO THE MT200. PART IS NOT SHARED WITH THE MT100.

Dash Assembly

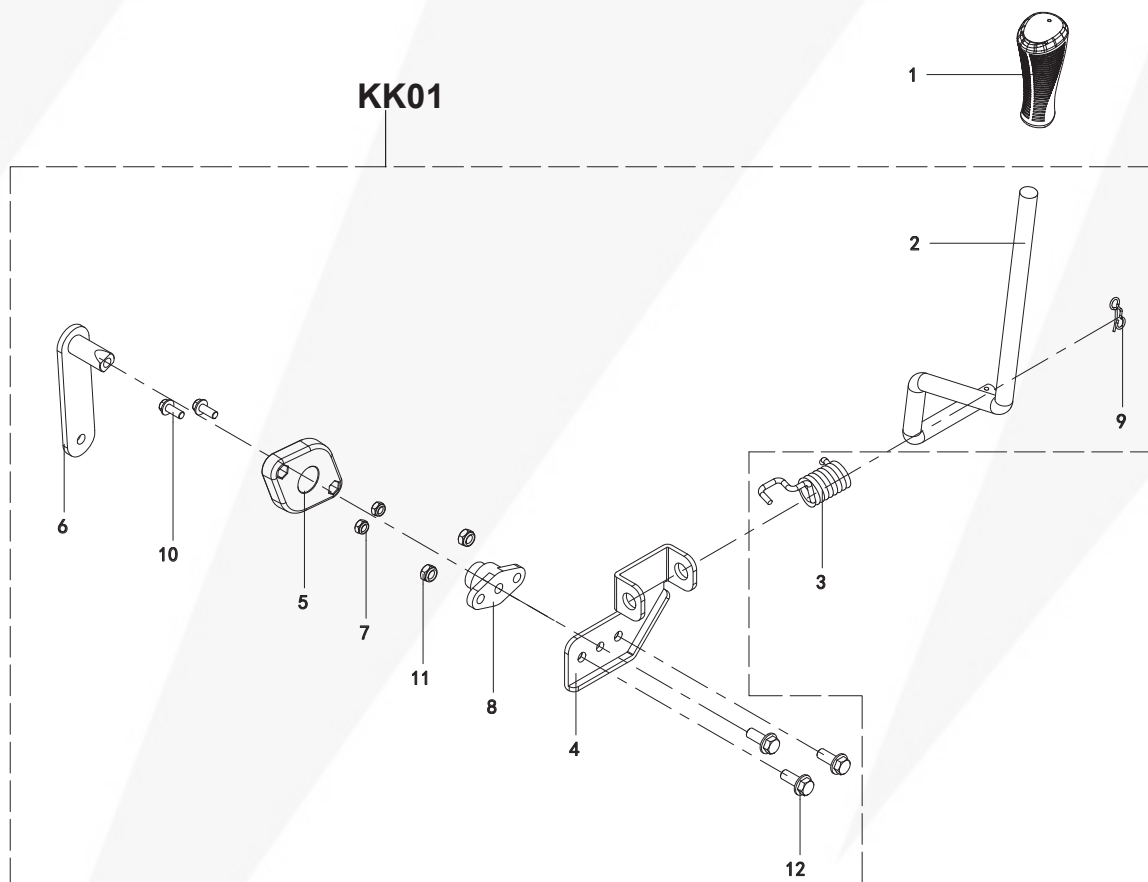


PARTS SOLD INDIVIDUALLY			
REF NO	PART NUMBER	PART DESCRIPTION	UNIQUE
4	21091001890001A	Dashboard Cover Bottom	
5	21091001870001A	Dashboard Cover Top	
10	2108100080A	Power Switch Button	
20	2109800258A	Throttle Cable	

PARTS SOLD AS KITS							
REF NO	PART NUMBER	PART DESCRIPTION	QTY	UNIQUE	KIT	KIT PN	KIT NAME
8	H2108900237A	Key Switch	1		J01	H2130200052	Switch & Key Kit
9	2109300213A	Key	1				
6	21091001960322A	Throttle Handle Gloves	1		J02	2130200053	Engine Throttle Handle Kit
7	21091001970001A	Throttle Damper Block	1				
11	2106300396A	Throttle Lever	1				
12	2106300395A	Throttle Lever Bracket	1				
17	A26800706202	Wave Gasket	1				
18	3051302002	Large Washer 6	1				
19	30913070105000	Hex Flange Bolts M6 x 20	1				
22	A26800503302	Hex Lock Nut M5	1				
23	3021302018	Cross Recessed Pan Head Screw M5x12	1				
24	30313090035014	Hex Lock Nut M6	1				
3	21091001910001A	Connecting Strip	1		J03	2130200054	Connecting Bar Kit
15	A26800105502	Self-Tapping Screws	8		J04	2130200055	Storage Box Kit
1	21091001940001A	Storage Box	1				
15	A26800105502	Self-Tapping Screws	4		J05	2130200056	Dashboard Lower Cover Kit
2	21091001920001A	Dashboard Cover Lower Cover	1				
15	A26800105502	Self-Tapping Screws	8		J06	2130200057	Oil Tank Support Kit
13	21032003840001A	Fuel Tank Support	1				
24	30313090035014	Hex Lock Nut M6	4				
26	3091308005	Hex Head Flange Bolt M6 x 16	4		J07	2130200058	Dashboard Support Base Kit
14	21032003850001A	Dashboard Support	1				
16	2109300239A	Flanged Self-Tapping Bolt M10 x 18	4				
21	2109300237A	Hex Step Bolts	6				
25	23033000485014A	Flange Triangle Self-Tapping Bolt	2				

*PART IS UNIQUE TO THE MT200. PART IS NOT SHARED WITH THE MT100.

Gear Shifter Assembly

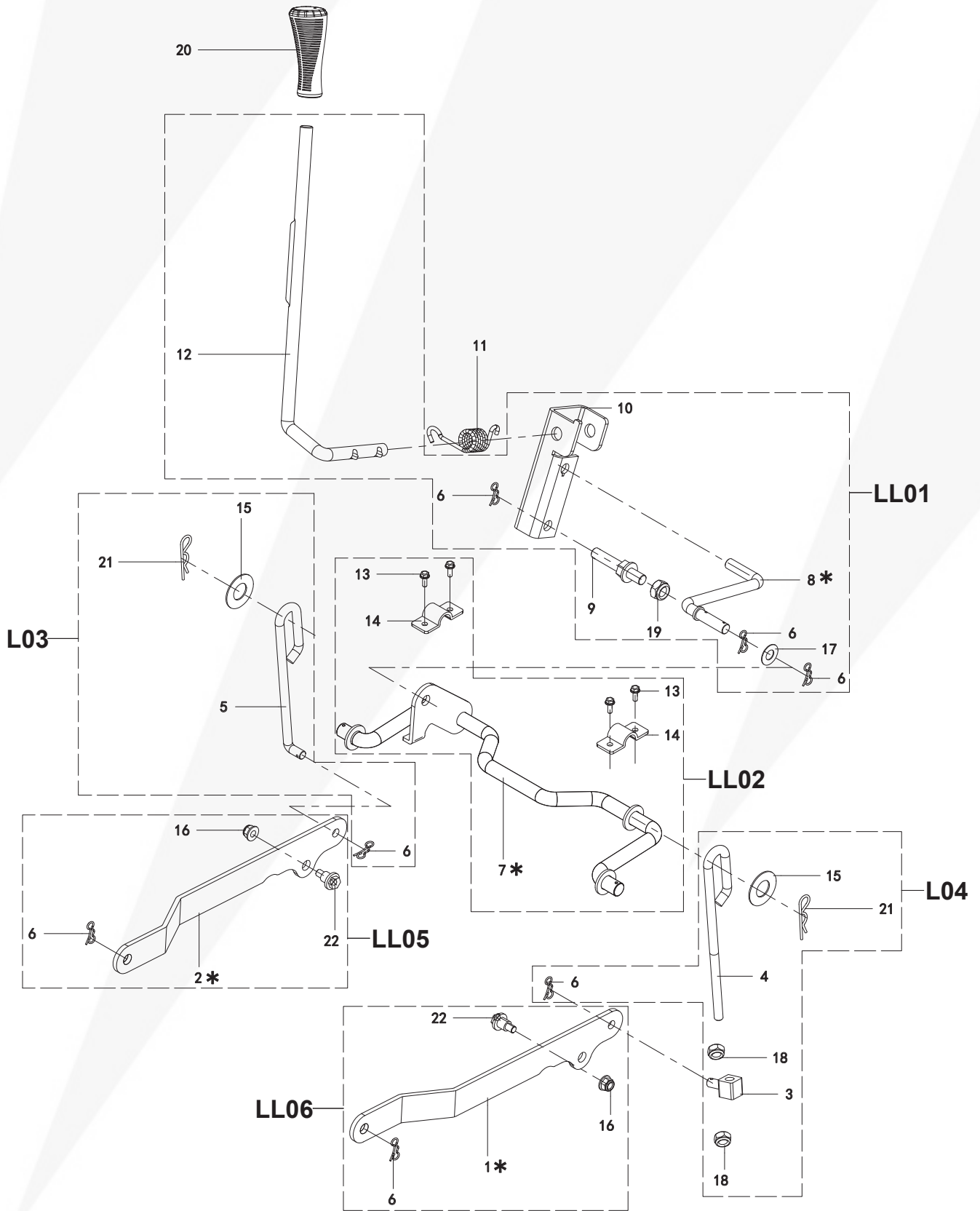


PARTS SOLD INDIVIDUALLY			
REF NO	PART NUMBER	PART DESCRIPTION	UNIQUE
1	21091002080322A	Adjustment Handle Knob	
3	2109800263A	Shift Torsion Spring	

PARTS SOLD AS KITS							
REF NO	PART NUMBER	PART DESCRIPTION	QTY	UNIQUE	KIT	KIT PN	KIT NAME
2	2109300228A	Gear Lever	1		KK01	2130200060	Shift Lever Kit
4	2109200114A	Handle Fixing Plate	1				
5	21091002050001A	Gear Lever Fixing Plate	1				
6	2109500012A	Shift Arm Welding	1				
7	30313090035014	Hex Lock Nut M6	2				
8	2109300227A	Convex Stand	1				
9	2269800006A	Pin B	1				
10	3091308005	Hex Head Flange Bolt M6 x 16	2				
11	3031309010	Hex Lock Nut M8	2				
12	30913070185014	Hex Head Flange Bolts M8 x 20	3				

*PART IS UNIQUE TO THE MT200. PART IS NOT SHARED WITH THE MT100.

Height of Cut Assembly

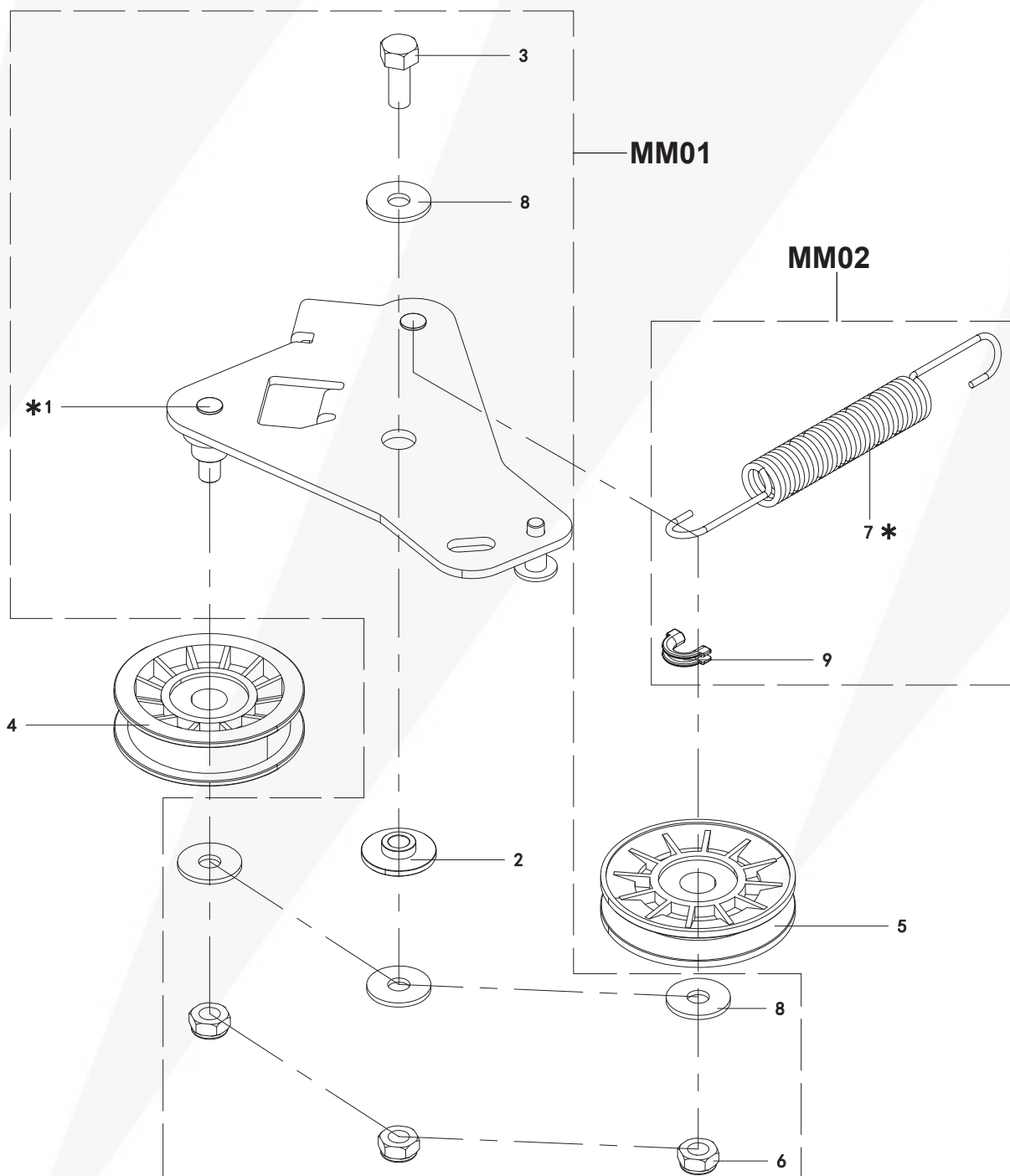


PARTS SOLD INDIVIDUALLY			
REF NO	PART NUMBER	PART DESCRIPTION	UNIQUE
11	2106800736A	Height Adjustment Torsion Spring	
20	21091002080322A	Adjustment Handle Knob	

PARTS SOLD AS KITS							
REF NO	PART NUMBER	PART DESCRIPTION	QTY	UNIQUE	KIT	KIT PN	KIT NAME
6	2269800006A	Pin B	3		LL01	2130200062	Height Adjustment Rod Kit
8	2109300257A	Height Adjustment Connecting Rod	1	*			
9	2109300217A	Special Bolts	1				
10	2103300241A	Cutting Height Adjustment Linkage Plate	1				
12	2106300388A	Cutting Height Adjustment Rod	1				
17	3051301002	Flat Washer 12	1				
19	3031309012	Hex Lock Nut 12	1		LL02	2130200064	CVT Height Adjustment Kit
7	2106500029A	Height Adjustment Rod Assembly	1	*			
13	3091308005	Hex Head Flange Bolt M6 x 16	4				
14	2109300215A	Cutting Height Assembly Fixing Plate	2		L03	2130200065	Height Adjustment Right Hook Kit
5	2103300239A	Cut High Right Hook	1				
6	2269800006A	Pin B	1				
15	2109300236B	Large Washer	1				
21	2109800275A	Pin B	1		L04	2130200066	Height Adjustment Left Hook Kit
3	2103900029A	T-connector Block	1				
4	2103300238A	Cut High Left Hook	1				
6	2269800006A	Pin B	1				
15	2109300236B	Large Washer	1				
18	30313090085014	Hex Lock Nut	1		LL05	2130200068	CVT Right Height Adjustment Support Plate Kit
21	2109800275A	Pin B	1				
2	2109300261A	Height Adjustment Support Plate, (R)	1	*			
6	2269800006A	Pin B	1		LL06	2130200070	CVT Left Height Adjustment Support Plate Kit
16	30323040025014	Hex Flange Face Lock Nut M8	1				
22	2103300147A	Special Bolts	1				
1	2109300260A	Height Adjustment Support Plate, (L)	1	*	LL06	2130200070	CVT Left Height Adjustment Support Plate Kit
6	2269800006A	Pin B	1				
16	30323040025014	Hex Flange Face Lock Nut M8	1				
22	2103300147A	Special Bolts	1				

*PART IS UNIQUE TO THE MT200. PART IS NOT SHARED WITH THE MT100.

Drive Tensioner Assembly

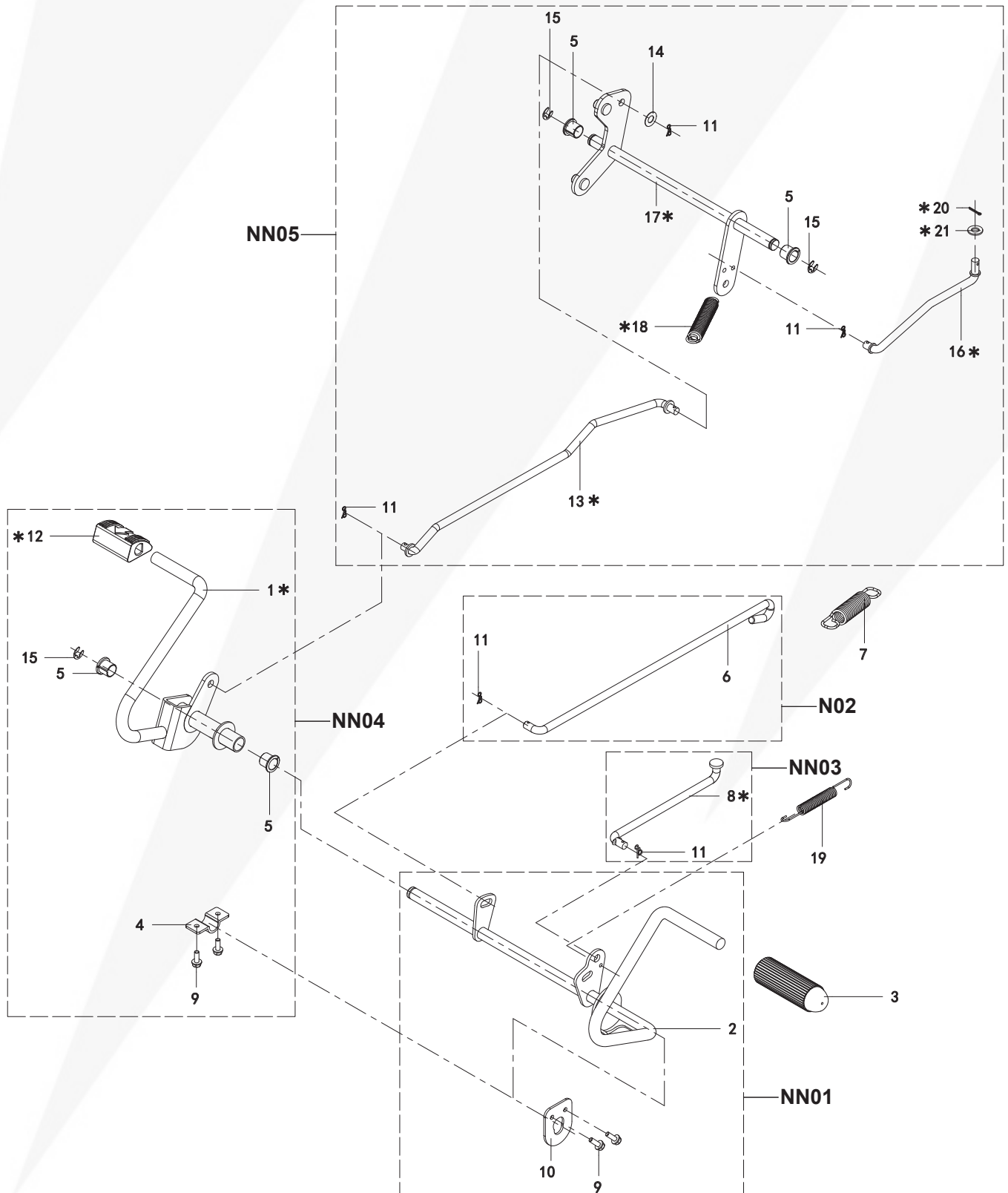


PARTS SOLD INDIVIDUALLY			
REF NO	PART NUMBER	PART DESCRIPTION	UNIQUE
4	2109100193A	Strap Wheel Full	
5	2109100190A	Tension Pulley	

PARTS SOLD AS KITS							
REF NO	PART NUMBER	PART DESCRIPTION	QTY	UNIQUE	KIT	KIT PN	KIT NAME
1	2106500027A	Tensioner Plate	1	*	MM01	2130200072	CVT Tensioning Plate Kit
2	2102300201A	Spacer	1				
3	3091304012	Hex Head Bolt M10 x 30	1				
6	30313090085014	Hex Lock Nut	3				
8	30512050045000	Large Washer M10	4				
7	2103800057A	Tension Spring	1	*	MM02	2130200074	CVT Tensioning Plate Tension Spring Kit
9	2103100538A	Spring Anti-Friction	1				

*PART IS UNIQUE TO THE MT200. PART IS NOT SHARED WITH THE MT100.

Throttle and Brake Assembly

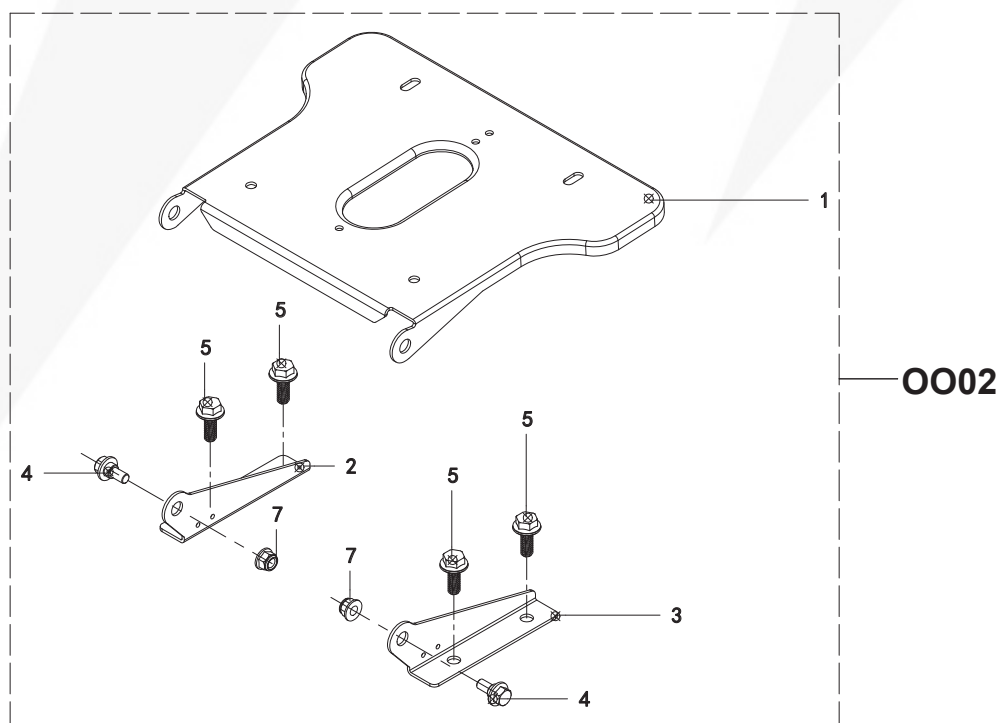
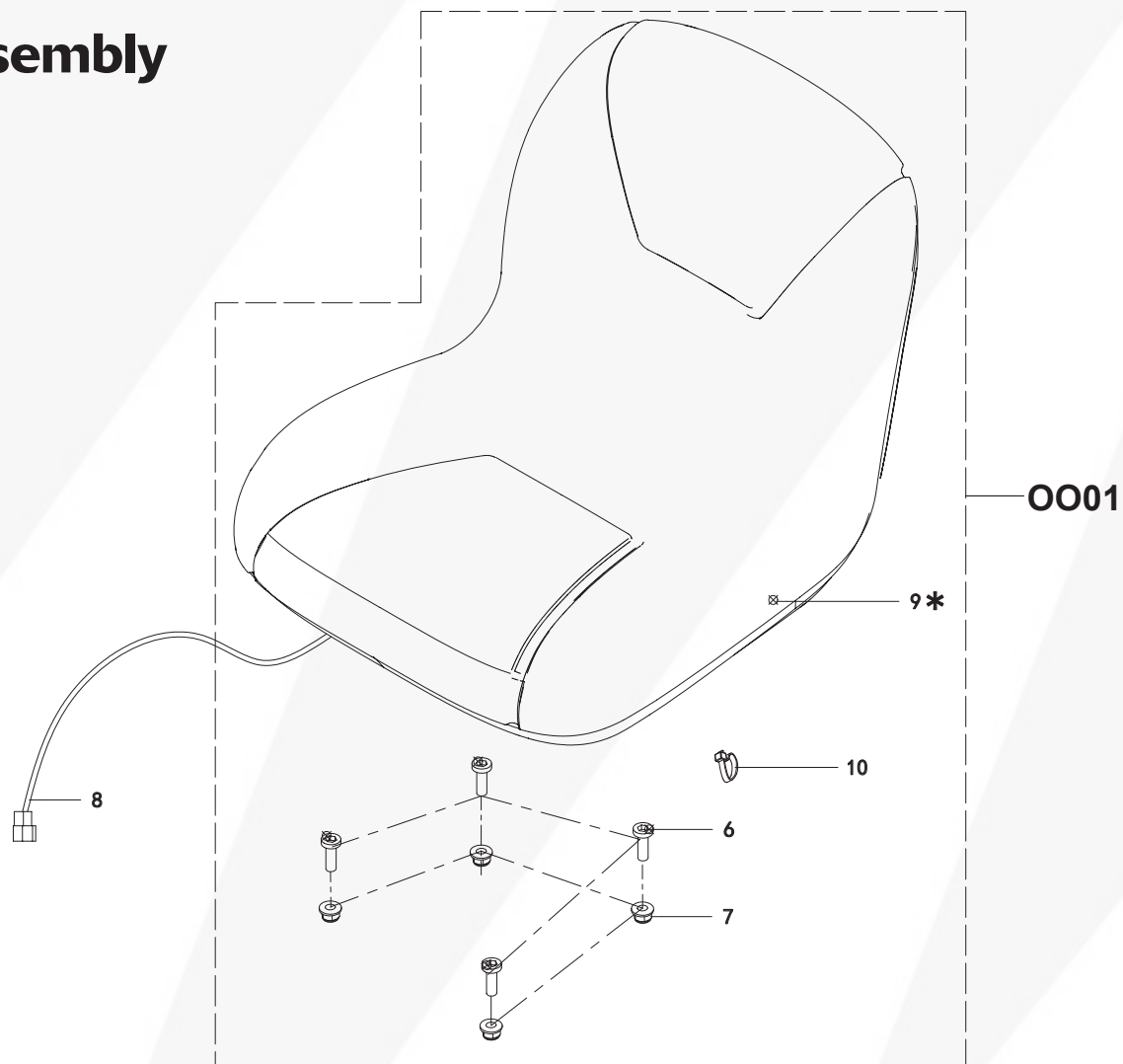


PARTS SOLD INDIVIDUALLY			
REF NO	PART NUMBER	PART DESCRIPTION	UNIQUE
3	21091001950001A	Brake Pedal Cover	
7	2109800267A	Parking Tension Spring	
19	2109800284A	Brake Return Tension Spring	

PARTS SOLD AS KITS							
REF NO	PART NUMBER	PART DESCRIPTION	QTY	UNIQUE	KIT	KIT PN	KIT NAME
2	2109500022A	Brake Pedal Assembly	1		NN01	2130200076	Brake Pedal Kit
9	3091308005	Hex Head Flange Bolt M6 x 16	2				
10	2109300214A	Brake Pedal Lower Fixing Plate	1				
6	2109300225B	Pin B	1		N02	2130200077	Brake Rod Kit
11	23093000195000B	Pin B	1		NN03	2130200079	CVT Tension Rod Kit
8	2106300571A	Tensioner Rod	1	*			
11	23093000195000B	Pin B	1				
1	2109500018A	Throttle Pedal	1	*	NN04	2130200080	Throttle Pedal Kit
4	2106300391A	Throttle Pedal Lower Fixing Plate	1				
5	21091001860001A	Throttle Pedal Plastic Spacer	2				
9	3091308005	Hex Head Flange Bolt M6 x 16	2				
12	21061008250001A	Throttle Pedal Cover	1	*			
15	2103300290A	Retaining Clip	1				
5	21091001860001A	Throttle Pedal Plastic Spacer	2		NN05	2130200081	Throttle Adapter Kit
11	23093000195000B	Pin B	1				
13	2109500017A	Throttle Lever	1	*			
14	2106300376A	Flat Washer	1				
15	2103300290A	Retaining Clip	2				
16	2109500015A	Throttle Ejector Rod	1	*			
17	2106500030A	Throttle Transfer Limit Lever	1	*			
18	2109800277A	Mowing Tension Spring	1	*			
20	3081301001	Ejector Rod Cotter Pin	1	*			
21	A26800700601	Ejector Rod Flat Washer	1	*			

*PART IS UNIQUE TO THE MT200. PART IS NOT SHARED WITH THE MT100.

Seat Assembly

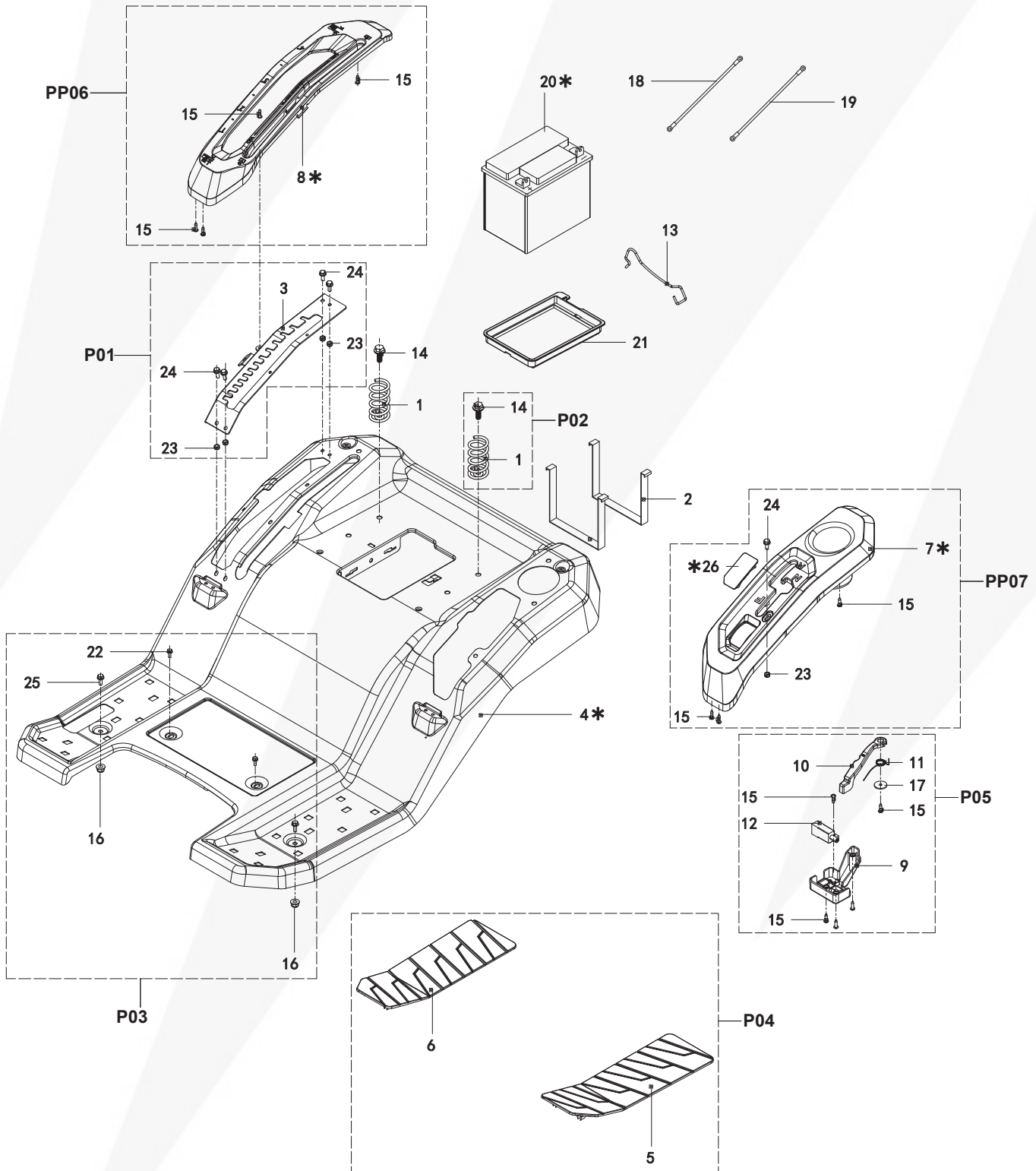


PARTS SOLD INDIVIDUALLY			
REF NO	PART NUMBER	PART DESCRIPTION	UNIQUE
8	2108900346A	Seat Cable	

PARTS SOLD AS KITS							
REF NO	PART NUMBER	PART DESCRIPTION	QTY	UNIQUE	KIT	KIT PN	KIT NAME
6	3022301013	Hex Screw M8 x 20	4		OO01	2130200083	Seat Kit
7	30323040025014	Hex Flange Lock Nut M8	4				
9	2109900181A	Seat Assembly	1	*			
10	2013900143	Nylon Cable Tie	1				
1	21093001580001A	Seat Tray	1		OO02	2130200084	Seat Tray Kit
2	21093001590001A	Seat Right Bracket	1				
3	22892000020001A	Seat Left Bracket	1				
4	2109300240A	Special Bolts	2				
5	2109300239A	Flange Triangle Self-Tapping Bolt M10 x 18	4				
7	30323040025014	Hex Flange Lock Nut M8	2				

*PART IS UNIQUE TO THE MT200. PART IS NOT SHARED WITH THE MT100.

Rear Fender Assembly

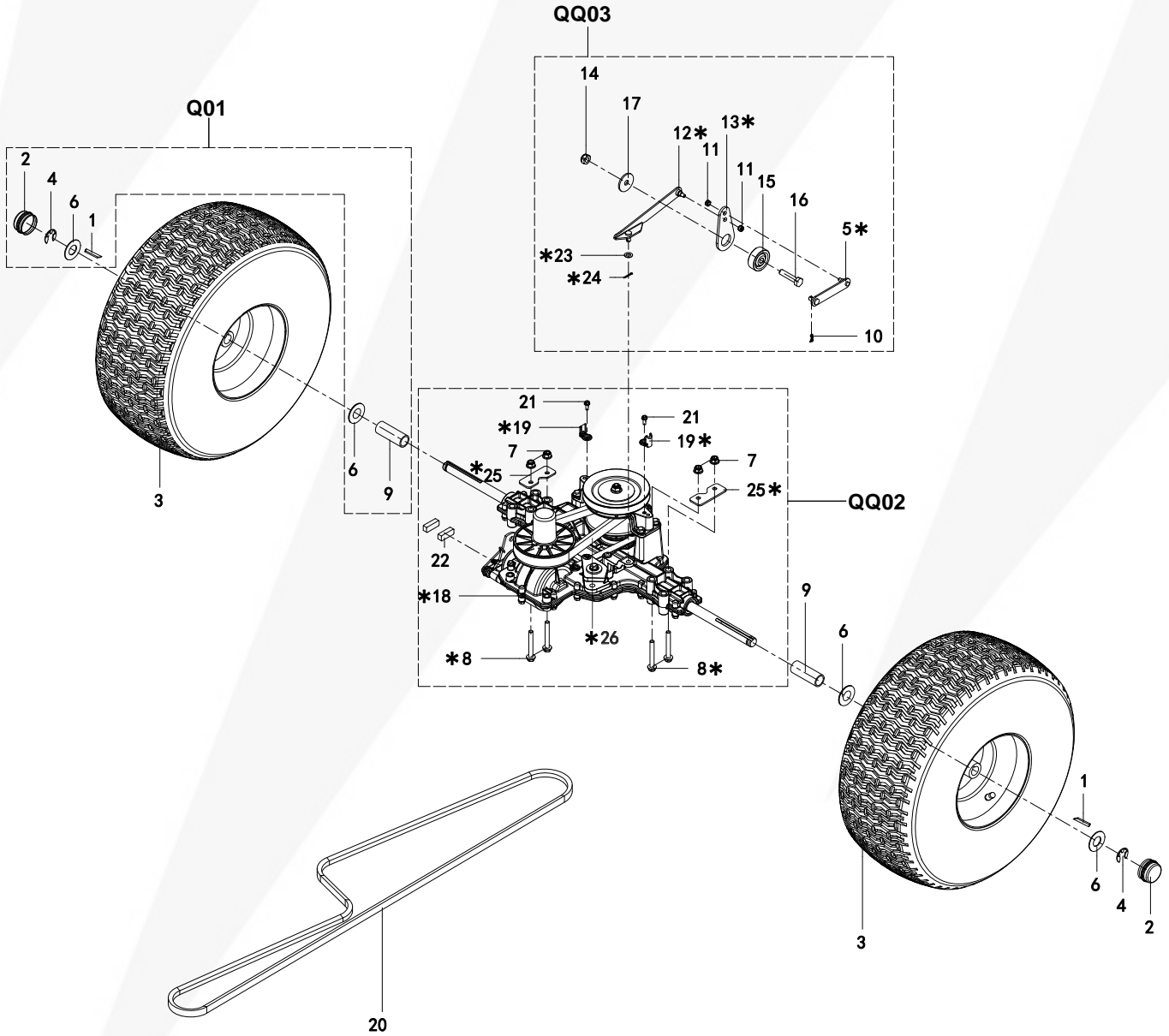


PARTS SOLD INDIVIDUALLY			
REF NO	PART NUMBER	PART DESCRIPTION	UNIQUE
2	2103300148A	Battery Holder	
4	21092001110320A	Rear Fender Assembly	*
13	2103200434A	Battery Stop Lever	
18	2108900299A	Positive Power Cord	
19	2108900304A	Negative Power Cord	
20	2109900167A	Starter Battery	*
21	21091002290001A	Battery Tray	

PARTS SOLD AS KITS							
REF NO	PART NUMBER	PART DESCRIPTION	QTY	UNIQUE	KIT	KIT PN	KIT NAME
3	21092001170001A	Body Iron Cover Gear Plate	1		P01	2130200085	Shift Plate Kit
23	30313090035014	Hex Lock Nut M6	4				
24	3091308005	Hex Head Flange Bolt M6 x 16	4				
1	2109800239A	Seat Spring	1		P02	2130200086	Seat Spring Kit
14	2109300239A	Flange Triangle Self-Tapping Bolt M10 x 18	1				
16	30323040025014	Hex Flange Face Lock Nut M8	2		P03	2130200087	Fixing Bolt Kit
22	23033000485014A	Flange Triangle Self-Tapping Bolt	2				
25	A26800623601	Hex Flange Bolt, M6 x 16	2				
5	21091002110001A	Left Foot Pad	1		P04	2130200088	Left And Right Foot Rest Kit
6	21091002120001A	Right Foot Pad	1				
9	21091002000001A	Trigger Holder	1		P05	H2130200089	Gear Trigger Kit
10	21091002010001A	Trigger	1				
11	2109800266A	Torsion Spring	1				
12	H2288900002A	Limit Switch	1				
15	A26800105502	Self-Tapping Screws	5				
17	2109300161A	Flat Gasket	1		PP06	2130200091	Height Adjustment Decorative Cover Kit
8	21031005370001A	Height Adjustment Lever Cover	1	*			
15	A26800105502	Self-Tapping Screws	4		PP07	2130200093	Shift Decorative Cover Kit
7	21031005360001A	Gear Lever Cover	1	*			
15	A26800105502	Self-Tapping Screws	3				
23	30313090035014	Hex Lock Nut M6	1				
24	3091308005	Hex Head Flange Bolt M6 x 16	1				
26	21041011700001A	Fixed Speed Control Cover	1	*			

*PART IS UNIQUE TO THE MT200. PART IS NOT SHARED WITH THE MT100.

Rear Axle Assembly

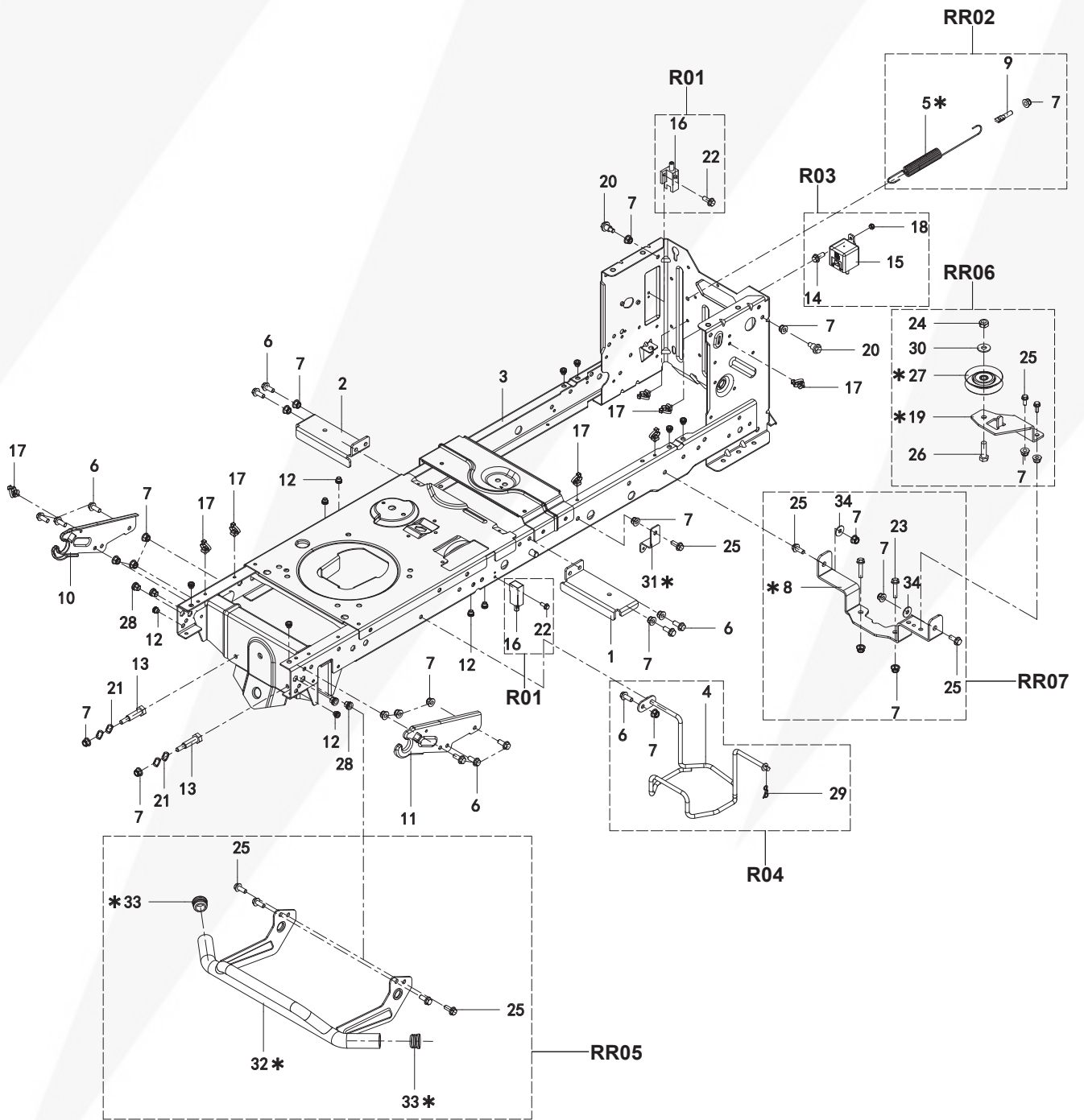


PARTS SOLD INDIVIDUALLY			
REF NO	PART NUMBER	PART DESCRIPTION	UNIQUE
3	2101900017A	20" Wheel Assembly	
20	2109600037A	Drive Belt	
26	2109900166A	CVT Transmission Belt	*

PARTS SOLD AS KITS							
REF NO	PART NUMBER	PART DESCRIPTION	QTY	UNIQUE	KIT	KIT PN	KIT NAME
1	A26809007101	Flat Key	1		Q01	2130200094	Rear Wheel Flat Key Kit
2	2109100204A	Plastic Cap	1				
4	3043301006	Split Ring 15	1				
6	2109300236B	Large Washer	2				
9	2102300202A	Axle Sleeve	1				
7	30323040025014	Hex Flange Face Lock Nut M8	4		QQ02	2130200096	CVT Transmission Kit
8	3091306003	Hex Flange Bolt, M8	4	*			
18	2100201715	CVT Transmission Assembly	1	*			
19	2102100105A	Belt Limit Block	2	*			
21	3091308005	Hex Flange Bolt M6 x 16	2				
22	2102400016A	Friction Block	2				
25	2103300293A	Rack Spacer	2	*			
26	2109900166A	CVT Transmission Belt	1	*			
5	2109300250A	Upshift Linkage	1	*			
10	23093000195000B	Pin B	1				
11	30313090035014	Hex Lock Nut M6	2		QQ03	2130200098	CVT Shift Linkage Kit
12	2109300252A	Downshift Linkage	1	*			
13	2109300251A	Gear Shift Center Plate	1	*			
14	30313090085014	Lock Nut M10	1				
15	2103400007A	Tensioner Wheel With Bushing	1				
16	30913030045000	Hex Bolt M10 x 45	1				
17	2103300161A	Flat Washer	1				
23	21092000295006B	Flat Washer	1	*			
24	3081301001	Cotter Pin	1	*			

*PART IS UNIQUE TO THE MT200. PART IS NOT SHARED WITH THE MT100.

Frame Assembly



PARTS SOLD INDIVIDUALLY			
REF NO	PART NUMBER	PART DESCRIPTION	UNIQUE
1	21033001450001A	Right Pedal Bracket	
2	21033001440001A	Left Pedal Bracket	
3	21035002050001B	Frame Assembly	
6	30913070185014	Hex Flange Bolt, M8 x 20	
7	30323040025014	Hex Flange Lock Nut, M8	
10	21092001080001A	Hood Hinge, Right	
11	21092001070001A	Hood Hinge, Left	
12	3033305002	Flat Head Rivet Nut	
13	2103900028A	Hex Bolt, M12	
17	2103100497A	Fixed Threaded Cable Ties	
20	2109300234A	Step Bolt	
21	A26800706202	Washer	
25	A26800623601	Hex Flange Bolt, M8	
28	3033305003	Flat Head Hex Rivet Nut, M8	
31	2109300264A	Return Spring Bracket	*

PARTS SOLD AS KITS							
REF NO	PART NUMBER	PART DESCRIPTION	QTY	UNIQUE	KIT	KIT PN	KIT NAME
16	H2288900002A	Limit Switch	1		R01	H2130200100	Travel Switch Kit
22	23033000485000A	Self Tapping Bolt M16	1				
5	2103300288A	Tension Spring	1	*	RR02	2130200102	Height Adjustment Spring Kit
7	30323040025014	Hex Flange Lock Nut, M8	1				
9	2106300299A	Eye Bolt	1				
14	3091308005	Hex Flange Bolt, M6	1		R03	2130200103	Relay Kit
15	2108900236A	200A Relay	1				
18	30313090035014	Hex Lock Nut, M6	1				
4	2103300153A	Brake Pedal Stopper	1		R04	2130200104	Belt Limit Lever Kit
6	30913070185014	Hex Flange Bolt, M8 x 20	1				
7	30323040025014	Hex Flange Lock Nut, M8	1				
29	2269800006A	Cotter Pin	1				
25	A26800623601	Hex Flange Bolt, M8	4		RR05	2130200105	Front Bumper Kit
32	21093002690320A	Front Bumper Assembly	1	*			
33	21046000140001A	Bumper End Plug	2	*			
7	30323040025014	Hex Flange Lock Nut, M8	2		RR06	2130200106	Idler Kit
19	2103200503A	Idler Pulley Bracket	1	*			
24	30313090085014	Lock Nut, M10	1				
25	A26800623601	Hex Flange Bolt, M8	2				
26	30913040165000	Hex Head Bolt, M10	1				
27	2109300255A	Idler Assembly	1	*			
30	2106300376A	Flat Washer	1				
7	30323040025014	Hex Flange Lock Nut, M8	4		RR07	2130200107	CVT Transmission Support Plate Kit
8	2109300253A	Gearbox Support Plate	1	*			
23	20313000995014A	Hex Flange Bolt, M8	2				
25	A26800623601	Hex Flange Bolt, M8	2				
34	2102200018A	Large Washer	2				

*PART IS UNIQUE TO THE MT200. PART IS NOT SHARED WITH THE MT100.