

Position	Item	Quantity	Assembly instructions
1	Column	1	Is aligned so that the column is screwed onto the base plate in a rearward position and the dispenser faces forward or hangs over the long side of the base plate.
2	item@groove	4	Can be pushed into the grooves or screwed in at the desired position (Optional - Not Included)
3	Adapter plate	1	Is mounted between the column and the base plate
4	Base plate	1	Is screwed to the column with four screws (see figure 1)
5	Cheese head screw M12	4	Are screwed into the lateral grooves of the column without further pre-drilling. (Inbus size 8, figure 1)
6	Upper end cap	1	Attach
7	Disinfectant dispenser	1	See separate mounting instructions (backside)
8	Drip tray	1	Optional: Is screwed to the side of the station

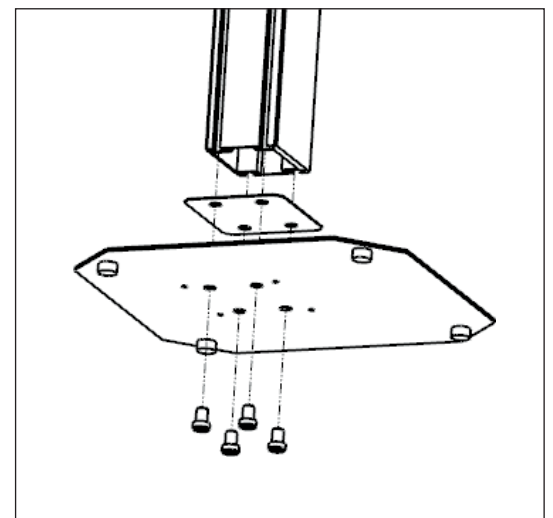
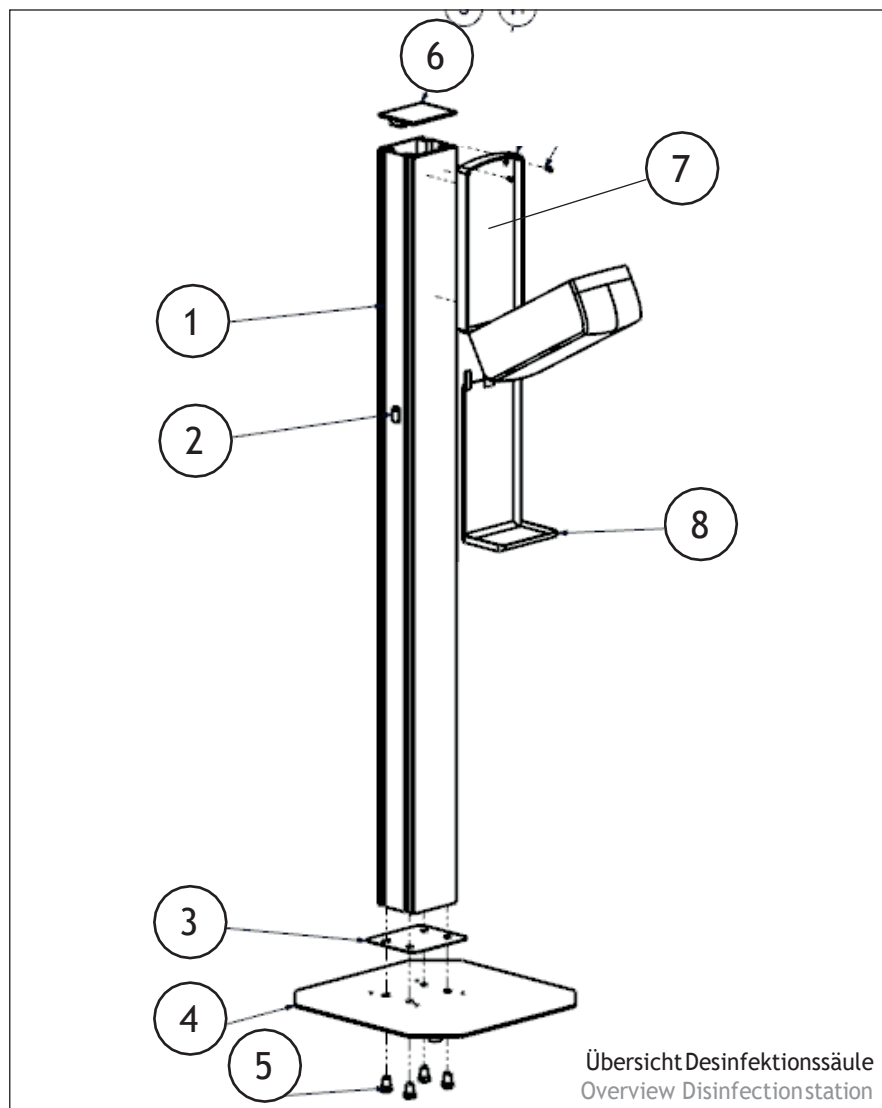


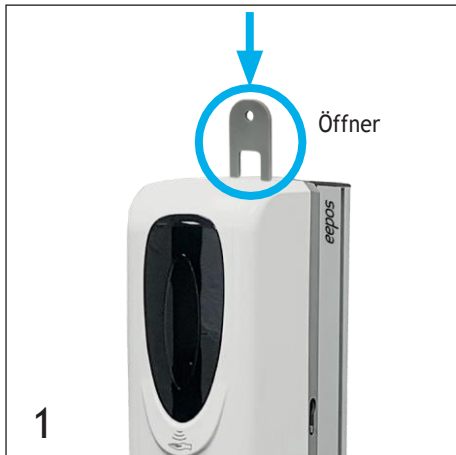
Abbildung 1: Montage Bodenplatte
Figure 1: Base plate mounting



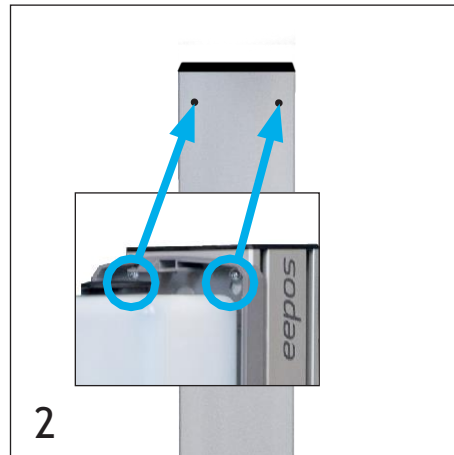
ASSEMBLY INSTRUCTIONS DISINFECTANT DISPENSER



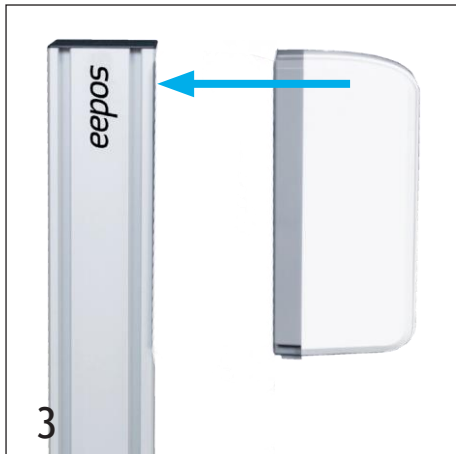
For mounting on the eePOS disinfection station classic and professional



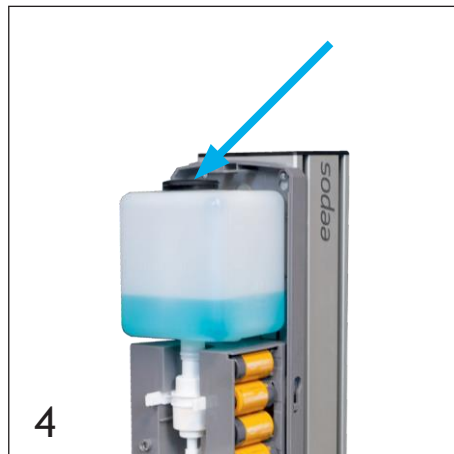
Open the dispenser cover with enclosed tool.



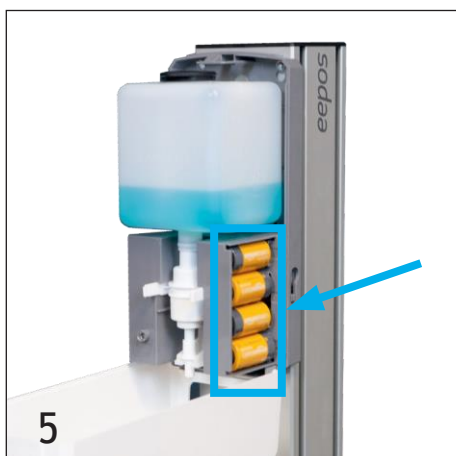
Position the dispenser at the predrilled holes of the column.



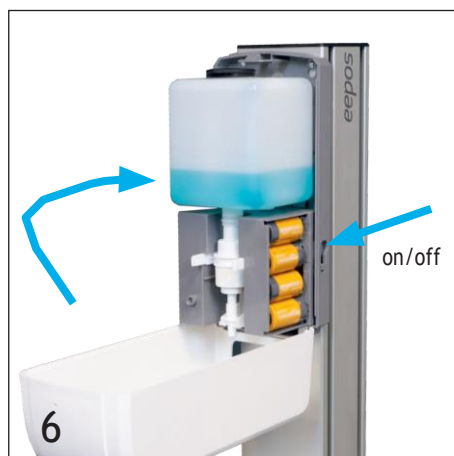
Use the enclosed screws to align the dispenser to the column and screw it tight.



Open rubber cap and fill in disinfectant, then close it.



Insert batteries (not included in delivery) and close with cover.



Close dispenser cover, switch on dispenser. Your Sensor Dispenser is ready for operation..



Assembly instructions Disinfection station

