

# Hardware List

(R1)FLAT HEAD SCREW ST2.9X12 6pcs 

(R2)CAM BOLT 12pcs



(R3)CAM LOCK 12pcs



(R4)MAGNETIC LATCH 2pcs



(R5)LIGHT 1pc



(R6)ADJUSTABLE FOOT 5pcs



(R7)FLAT HEAD SCREW ST2.9X15 10pcs



(R8)FLAT HEAD SCREW ST3.5X25 44pcs



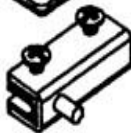
(R9)SHELF SUPPORT STUD 20pcs



(R10)LATCH PLATE 2pcs



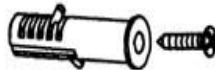
(R11)GLASS HINGE 2pcs



(R12)GLASS HINGE 2pcs



(R13)PLASTIC SCREW ANCHOR 1pc



# Parts List

(AL1)LEFT PANEL-1PC



(AL2)TOP LEFT PANEL-1PC



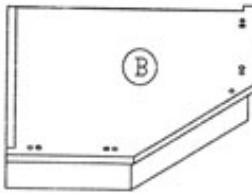
(AR1)RIGHT PANEL-1PC



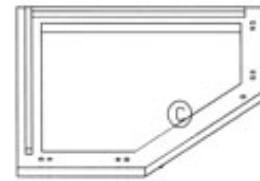
(AR2)TOP RIGHT PANEL-1PC



(B)BASE UNIT-1PC



(C)SHELF BOARD-1PC



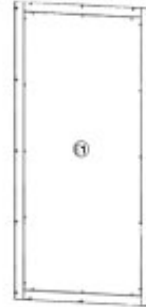
(D1)LEFT BACK PANEL-1PC



(D2)TOP LEFT PANEL-1PC



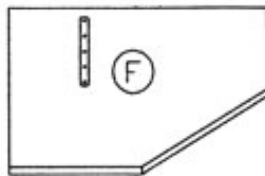
(E1)RIGHT BACK PANEL-1PC



(E2)TOP RIGHT BACK PANEL-1PC



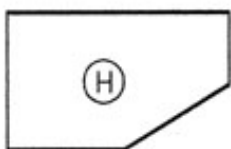
(F)COVER BOARD-1PC



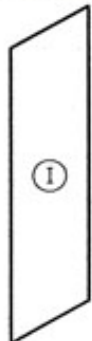
(G)SHELF-4PCS



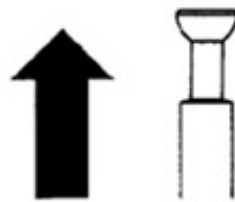
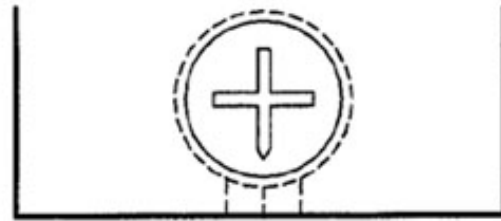
(H)SHELF-1PC



(I)DOOR-2PCS



# CAM LOCK SYSTEM



(1)

CORRECT








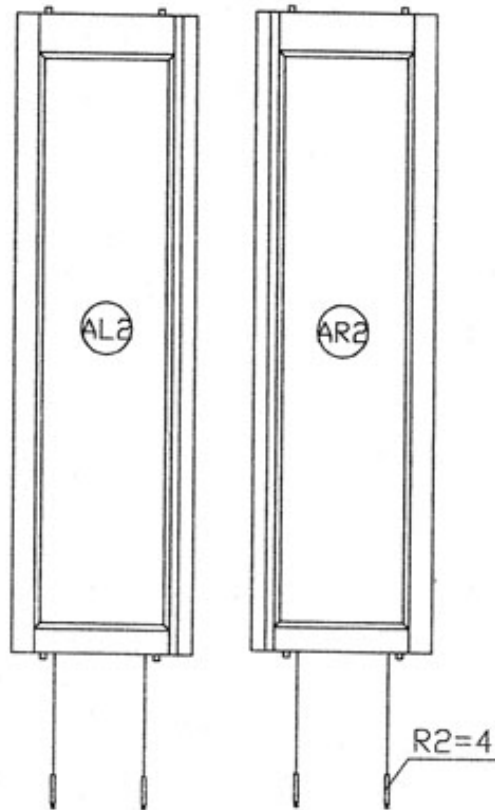
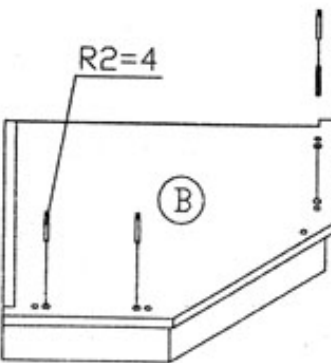
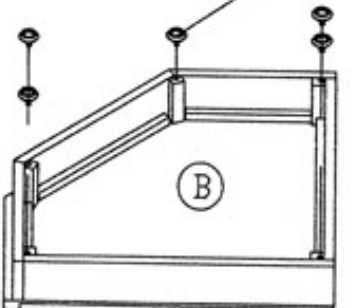
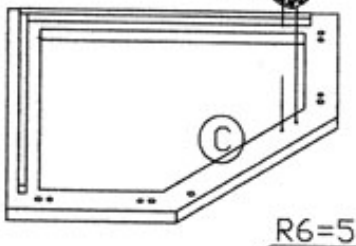
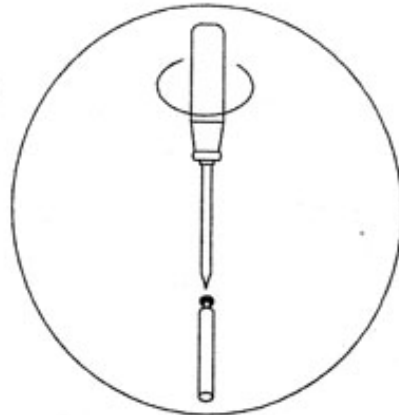
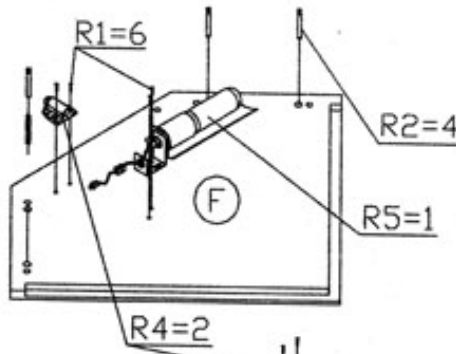
(2)

WRONG

Ensure starting position is correct, adjust cam bolt by pushing or pulling during assembly. Turn clockwise until secure.



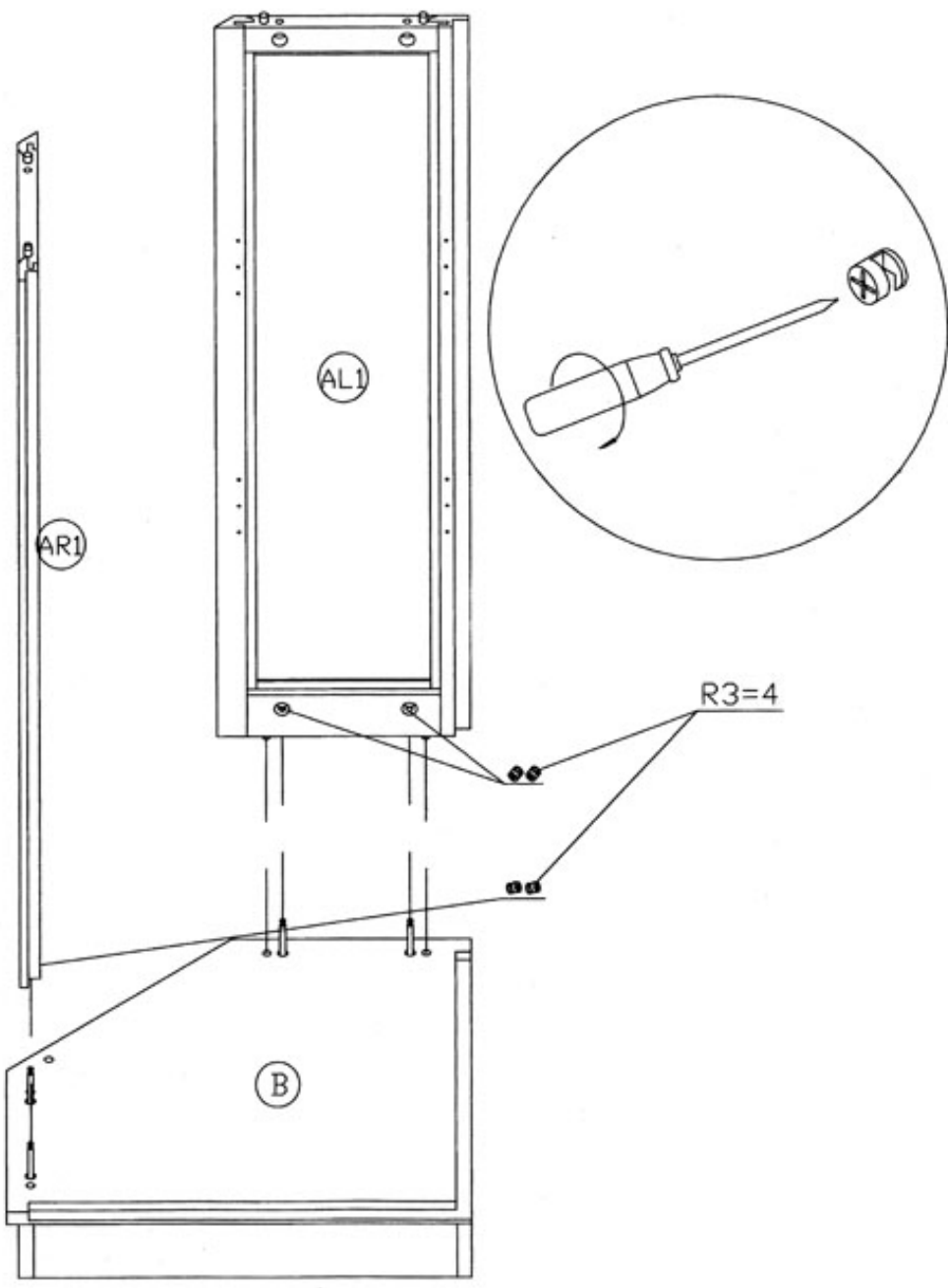
- (R1)ST2.9X12:6PCS 
- (R2)CAM BOLT:12PCS 
- (R4)MAGNETIC LATCH:2PCS 
- (R5)LIGHT:1PC 
- (R6)ADJUSTABLE FOOT: 5PCS 



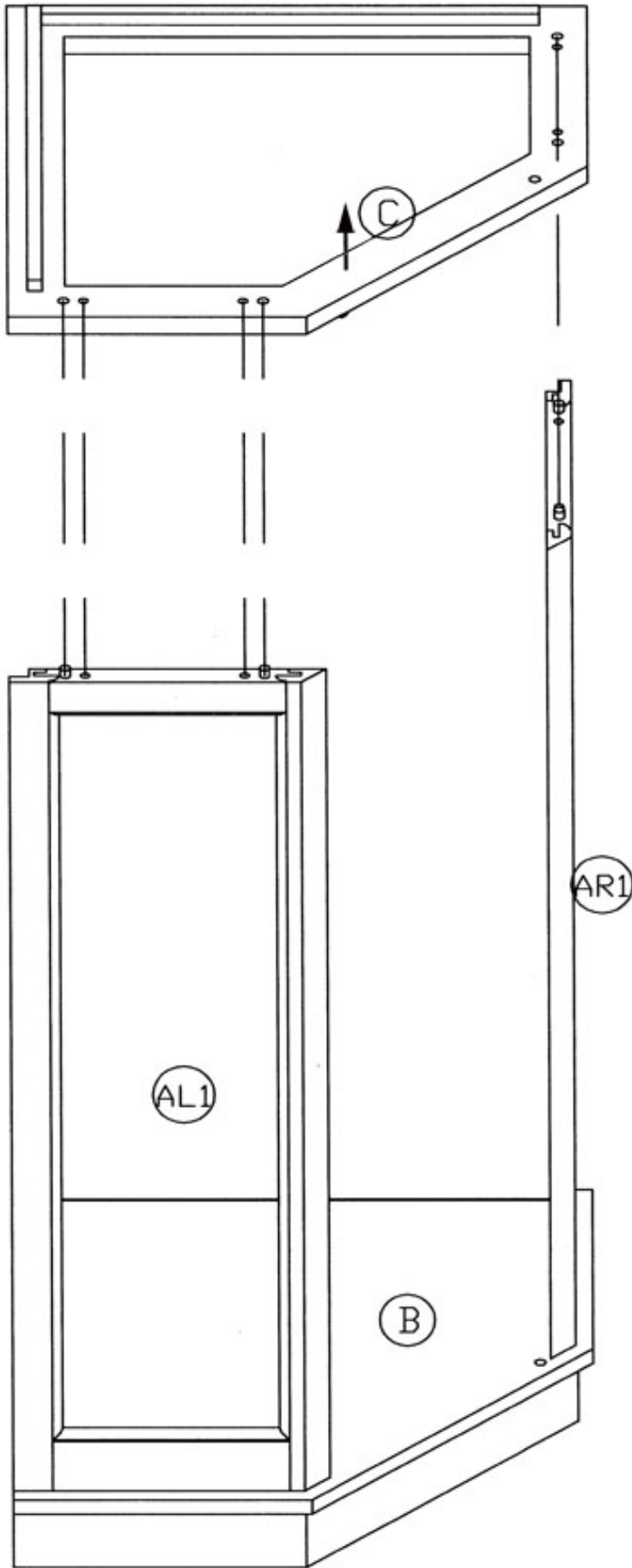
1. a)Fasten light R5 to cover board F, using 2 screw R1 (ST2.9X12).
- b)Fasten 1 magnetic latch R4 to cover board F, using 2 screw R1(ST2.9X12).
- c)Fasten 4 cam bolt R2 to cover board F.
- d)Fasten 1 magnetic latch R4 to shelf board C, using 2 screw R1(ST2.9X12).
- e)Fasten 5 adjustable foot R6 to base unit B.
- f)Fasten 4 cam bolt R2 to base unit B
- g)Fasten 2 cam bolt R2 to top left panel AL2 and 2 R2 to top right panel AR2.



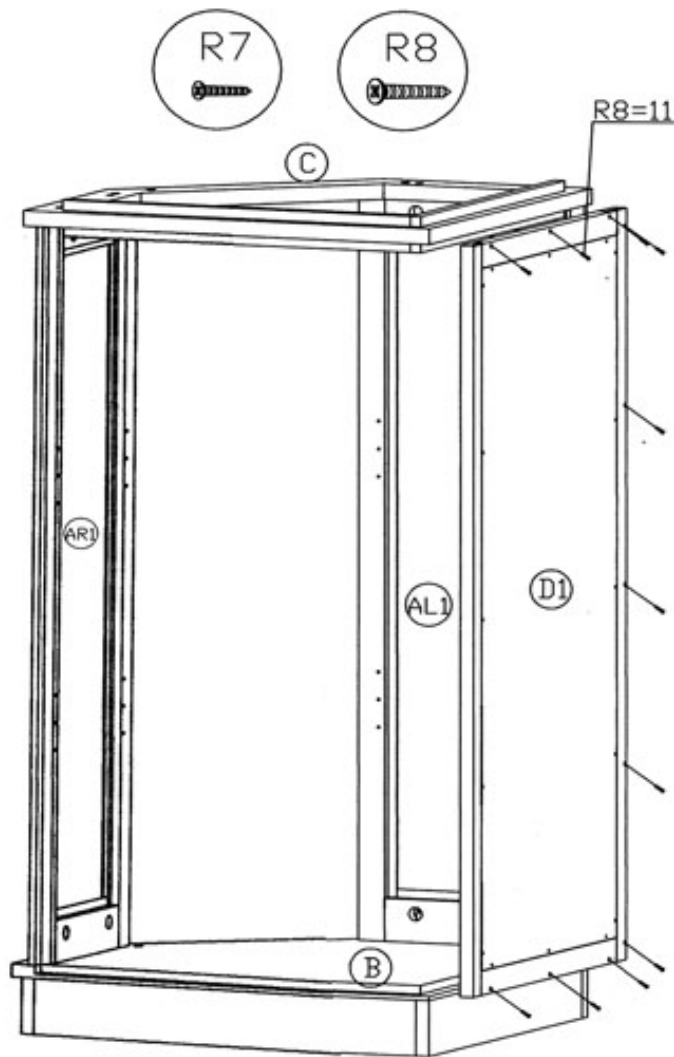
(R3)CAM LOCK:4PCS



- 2. a) Attach left and right panel AL1 & AR1 to base unit B.
- b) Fasten AL1 & AR1 to B, using 4 cam lock R3.



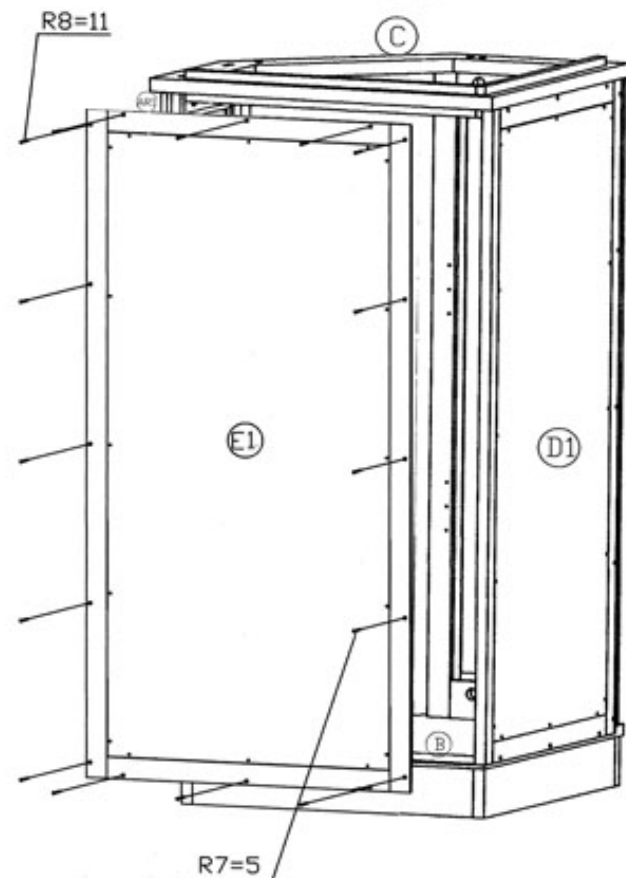
3. Attach shelf board C to left and right panel AL1&AR1.  
Note: the arrow's direction on shelf board C should face up.



(R7)ST2.9X15:5PCS

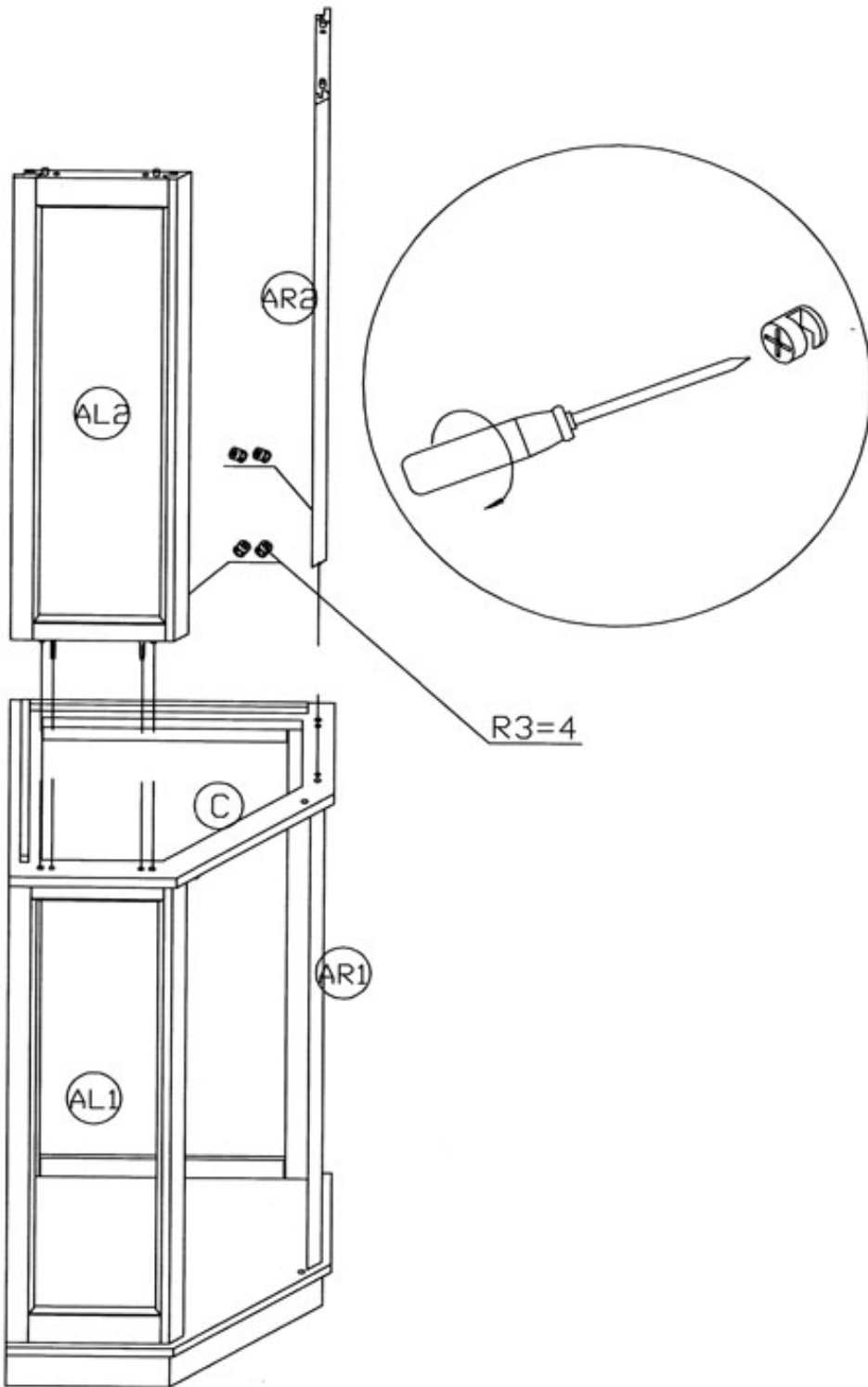
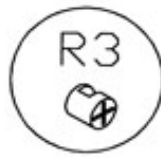


(R8)ST3.5X25:22PCS



- 4.a)Fasten left back panel D1 to shelf board C, left panel AL1 and base unit B, using 11 screw R8(3.5X25).
- b)Fasten right back panel E1 to right panel AR1, shelf board C and base unit B, using 11 screw R8(ST3.5X25).
- \*c)Fasten right edge of right back panel E1 to left back panel D1, using 5 screw R7(ST2.9X15).

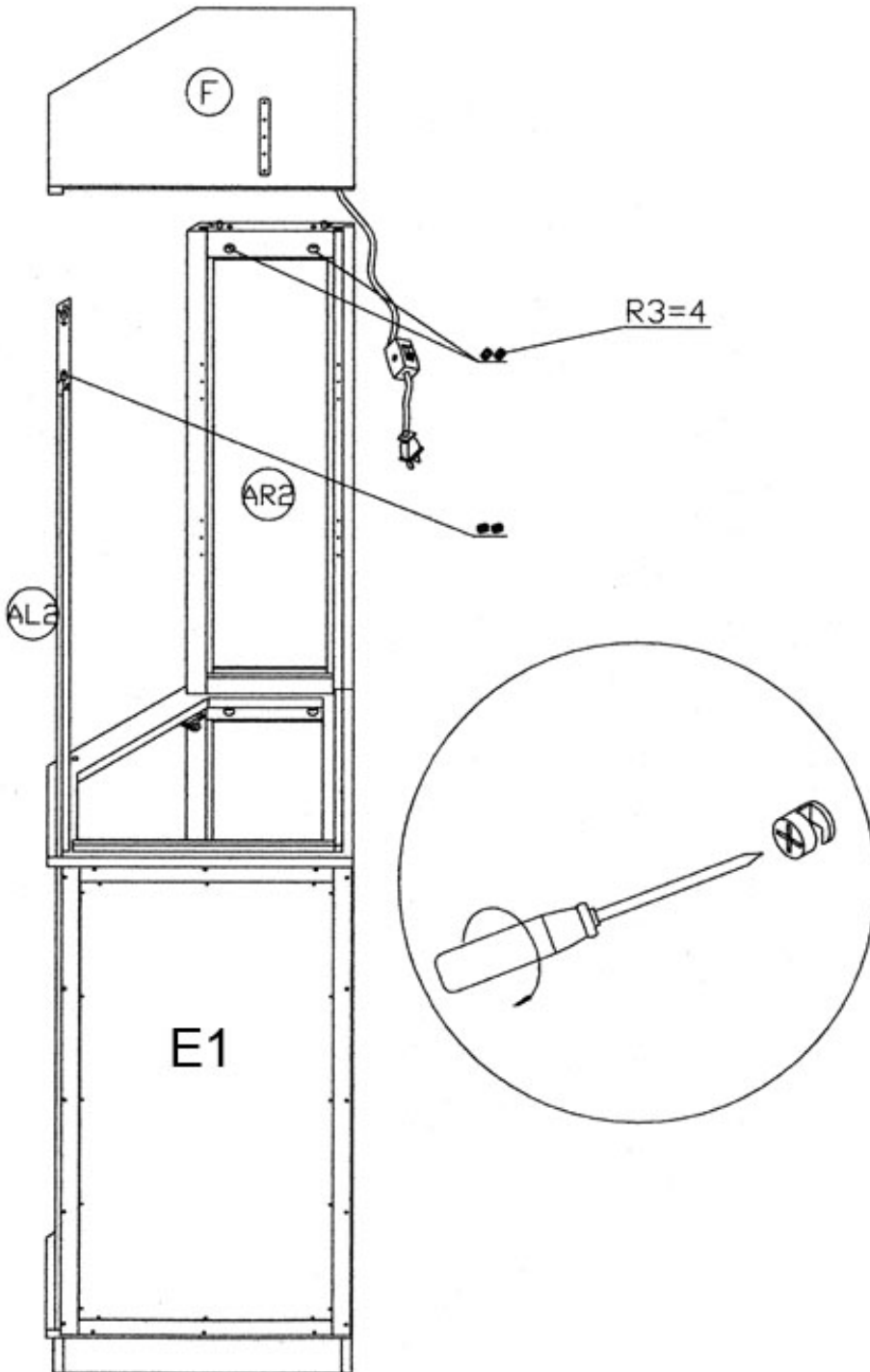
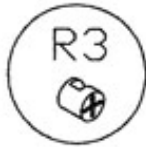
(R3)CAM LOCK:4PCS



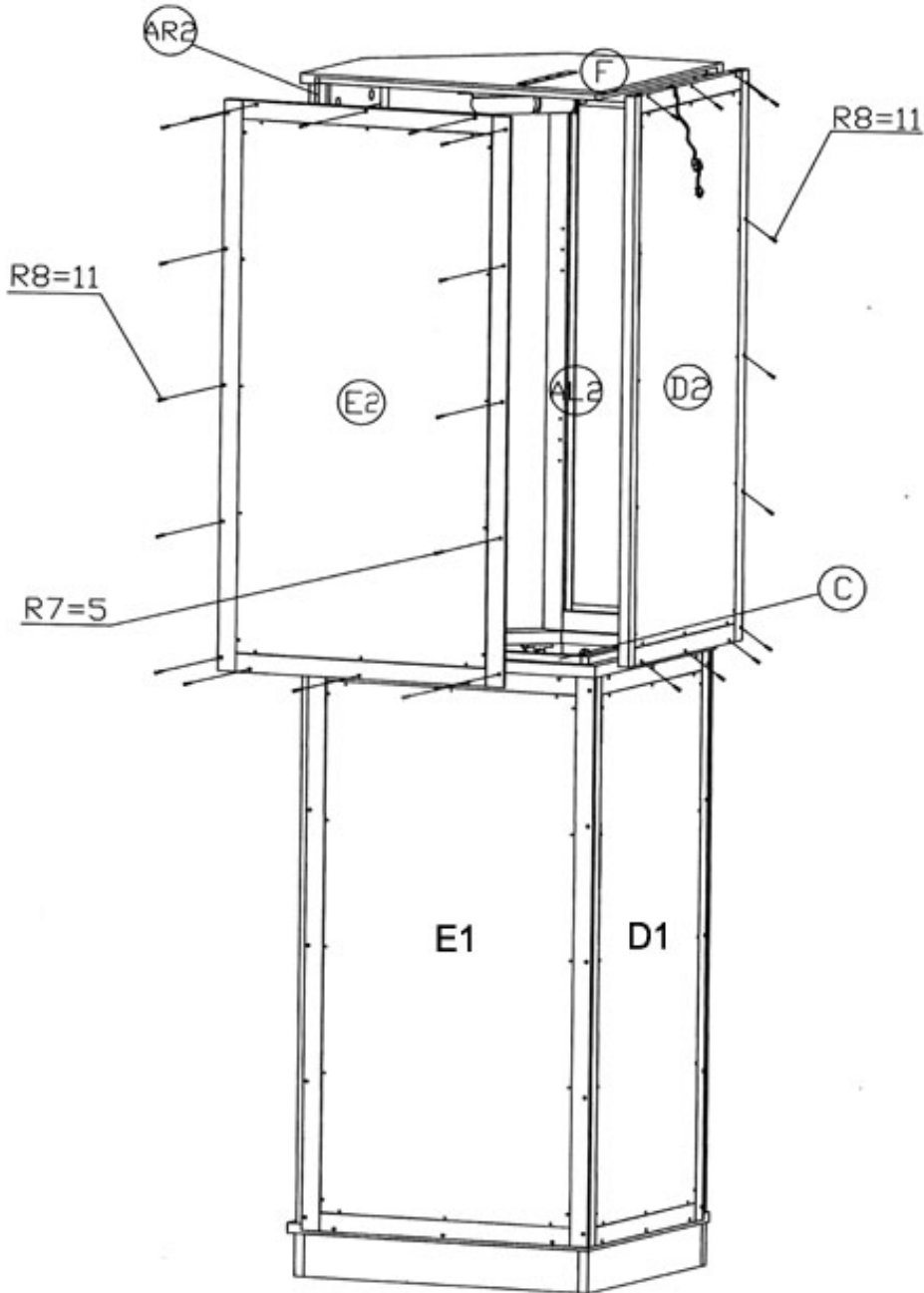
5.Insert top left panel AL2 to left panel AL1 and top right panel AR2 to right panel AR1 through shelf board C, screw AL2&AR2 with 4 cam lock R3.




(R3)CAM LOCK:4PCS



- 6.a) Attach cover board F to top left and top right panel AL2&AR2.
- b) Fasten F to AL2&AR2, using 4 cam lock R3.



(R7)ST2.9X15:5PCS 

(R8)ST3.5X25:22PCS 

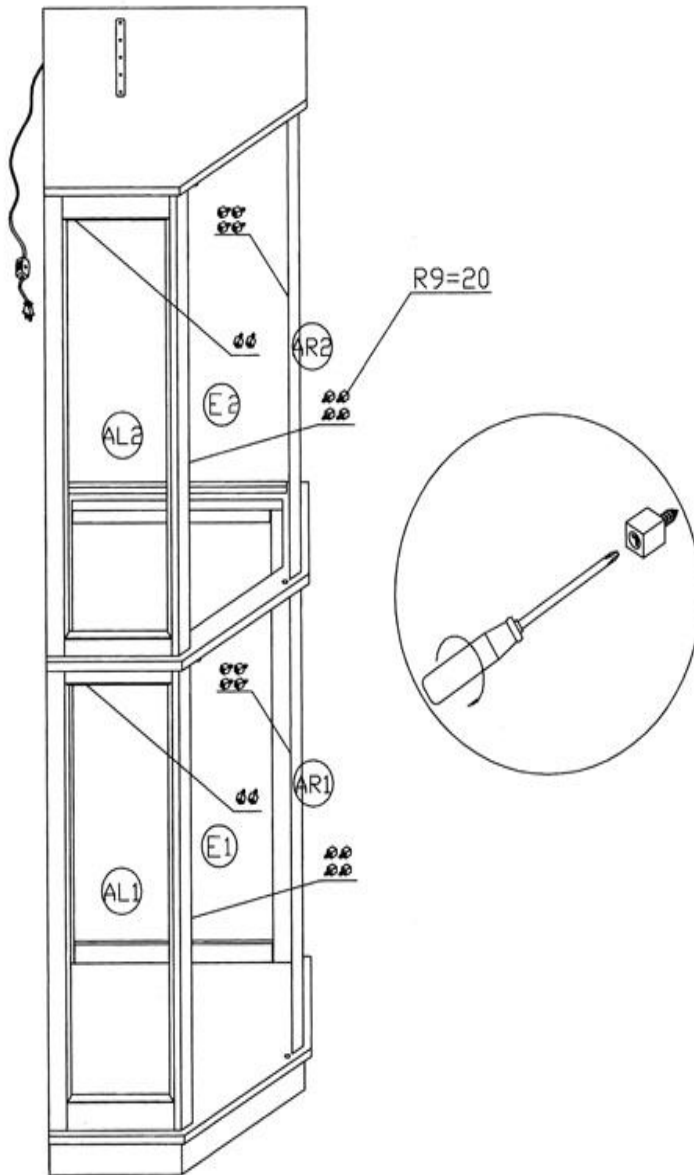
- 7.a) Fasten top left back panel D2 to cover board F, top left panel AL2 and shelf board C, using 11 screw R8(ST3.5X25).
- b) Fasten top right back panel E2 to cover board F, top right panel AR2 and shelf board C, using 11 screw R8(ST3.5X25).
- c) Fasten right edge of top right back panel E2 to top left panel D2, using 5 screw R7(ST2.9X15).

Note: make sure the electronic wire must go through the groove on top left back panel D2 first.

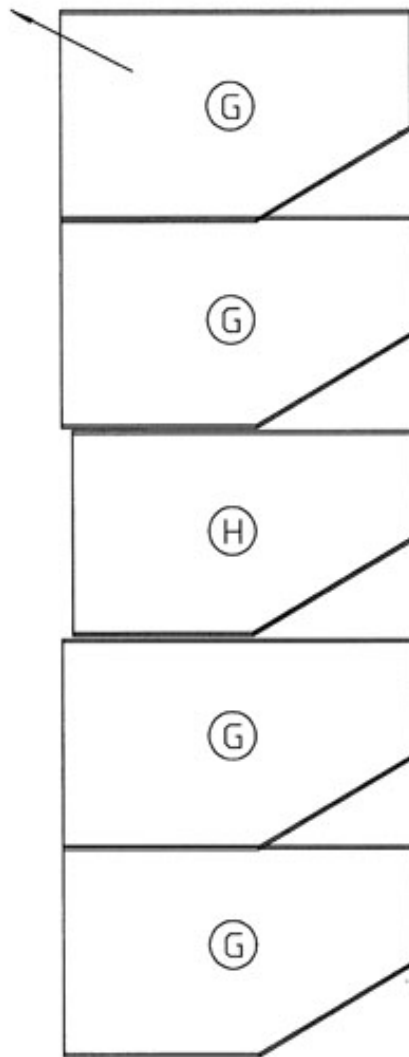
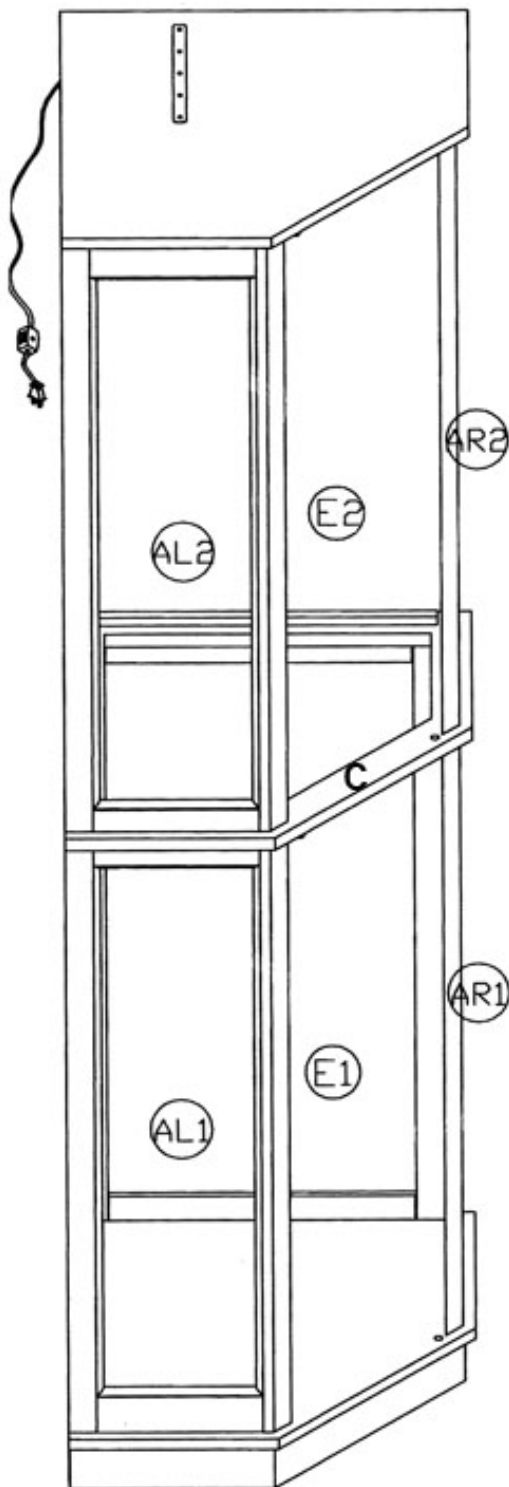


(R9)SHELF SUPPORT

STUD: 20PCS



8. Fasten 20 shelf support stud R9 to left and right panel AL1&AR1, top left and top right panel AL2&AR2 ,right back panel E1 and top right back panel E2.



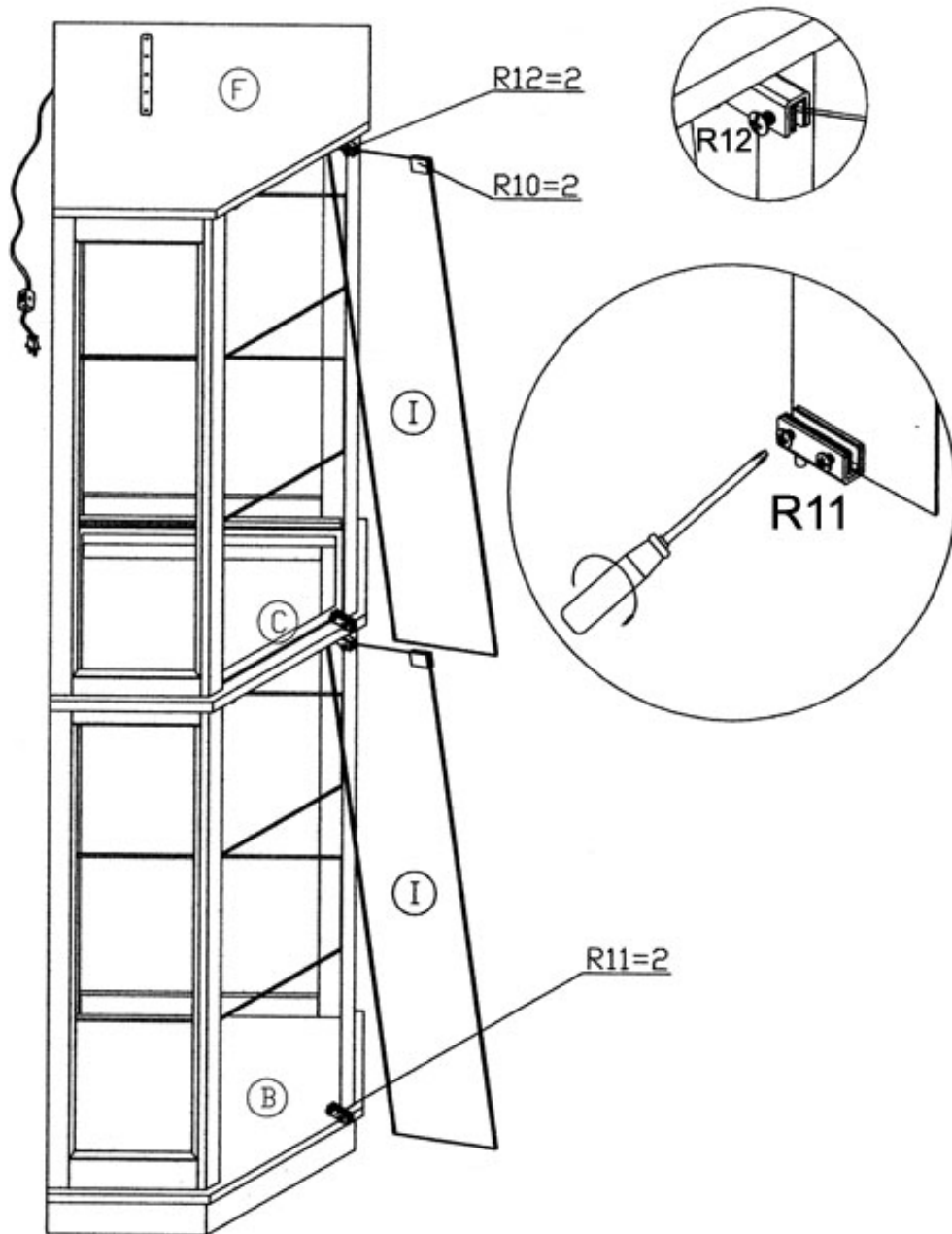
- 9.a) Attach 4 shelf G onto shelf support stud.  
b) Attach 1 shelf H onto shelf board C.



(R10)LATCH PLATE:2PCS 


(R11)GLASS HINGE:2PCS 

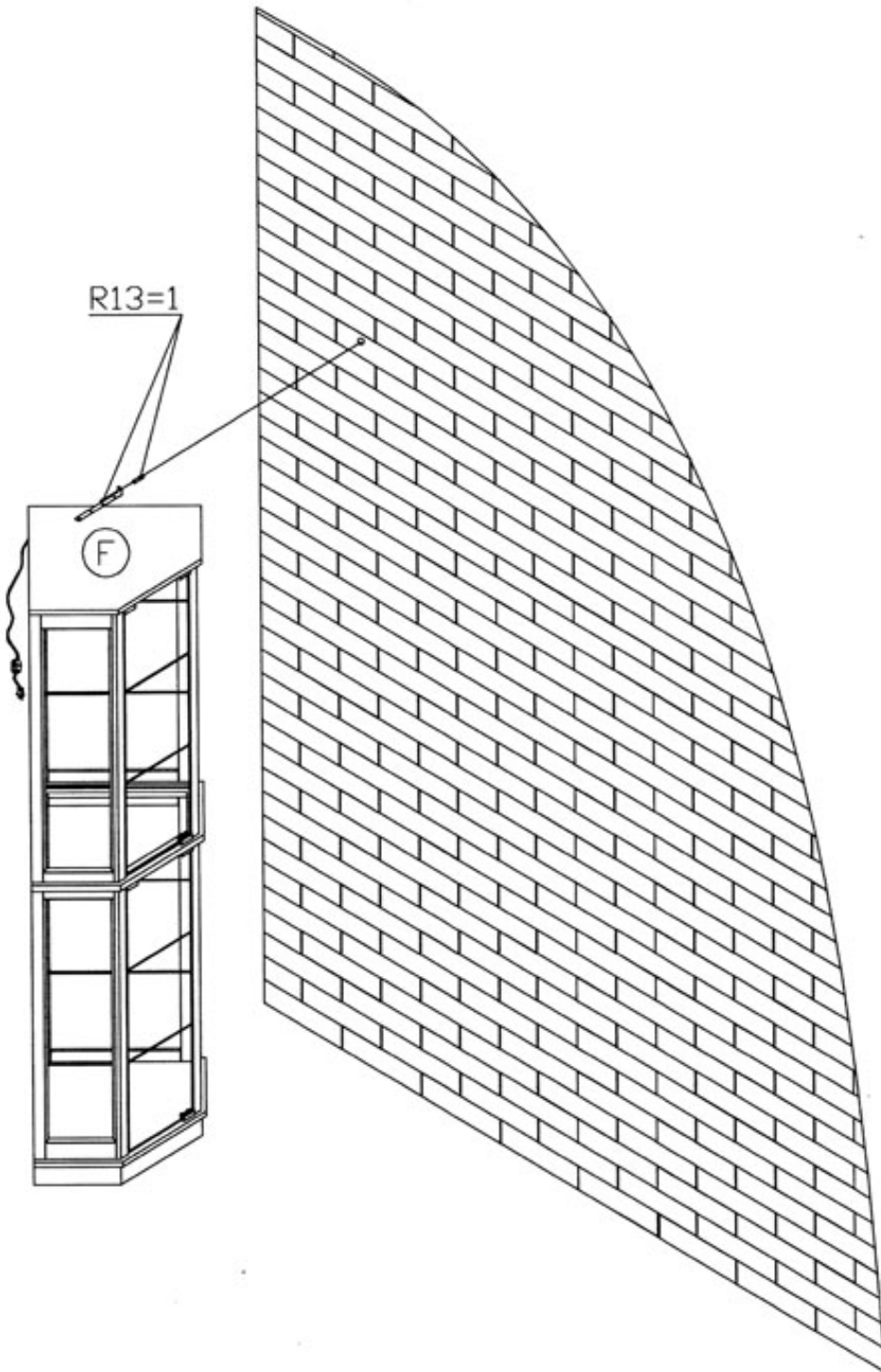
(R12)GLASS HINGE:2PCS 



- 10.a) First fasten 1 latch plate R10 and 1 glass hinge R12 on the position of door I, then insert glass hinge R12 into the top hole on cover board F.
- b) Insert glass hinge R11 into the bottom hole on shelf board C, slide the glass into place, then fasten the screw.
- c) Repeat the process for another door I.

**Note:** Make sure the word PUSH on latch plate R10 faces outside of cabinet. The black washer on glass hinge R11&R12 should be attached under the screw. Glass hinge R11&R12 should be attached close to the edge of the glass.

(R13) PLASTIC SCREW ANCHOR: 1PC 



11. In order to ensure that the cabinet is stable, adjust the adjustable foot R6 under the cabinet. As an added safety feature, a support strap on cover board F has been provided, it must be attached to the wall, using 1 plastic screw anchor R13.