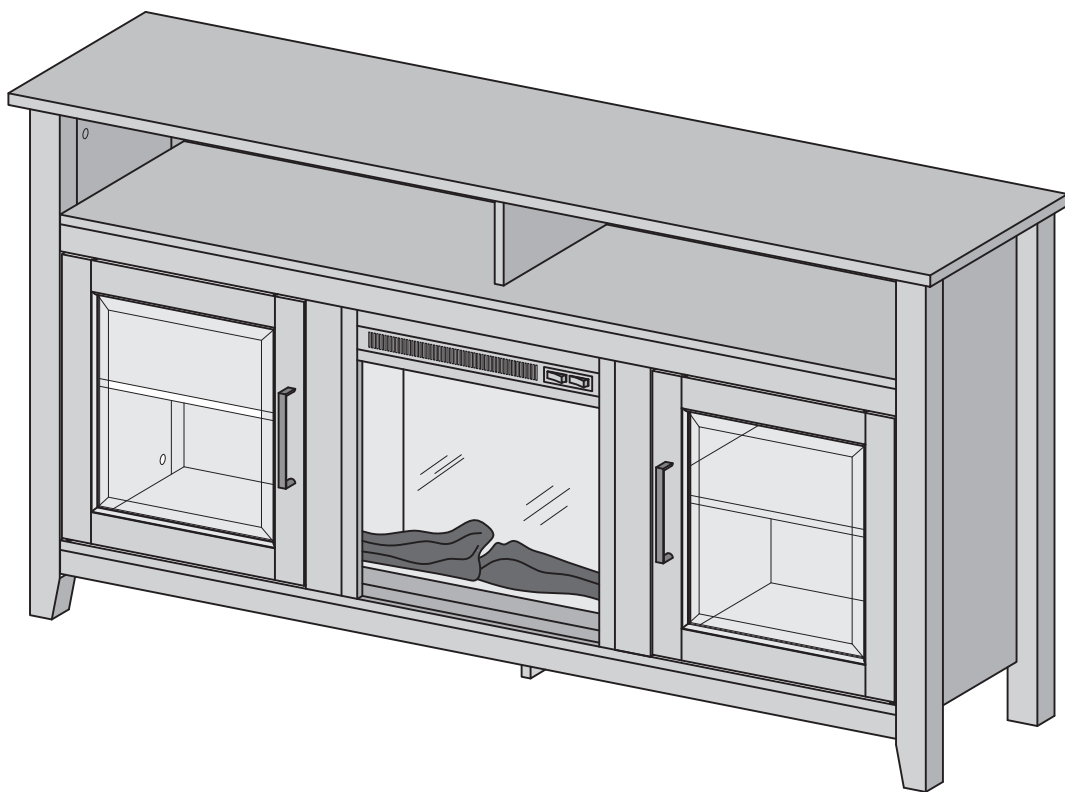


W Walker[®]
Edison
furniture company

Item # : W58FP18HB
Assembly Instructions

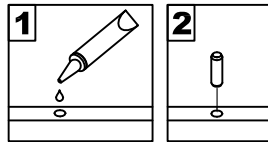


Please visit our website for the most current instructions, assembly tips, report damage, or request parts. www.walkeredison.com

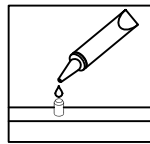
Revised 03/2017

General Assembly Guidelines

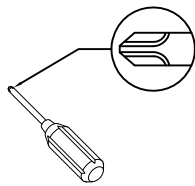
- I. Ensure that all parts and hardware are available before beginning assembly.
- II. Follow each step carefully to ensure the proper assembly of this product.
- III. Two people are recommended for ease in the assembly of this product.
- IV. The three main types of hardware used to assemble this product are : wood dowels , screws and bolts.
- V. The provided glue is to secure wood dowels in place . When first inserting dowels , locate the appropriate hole for the dowel , place a small amount of glue in the hole and insert the dowel . Wipe away excess glue immediately.



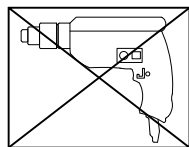
In future assembly steps when dowels are necessary to attach assembly parts together , place a small amount of glue on the end of the dowel before attaching parts together . Wipe away excess glue immediately.



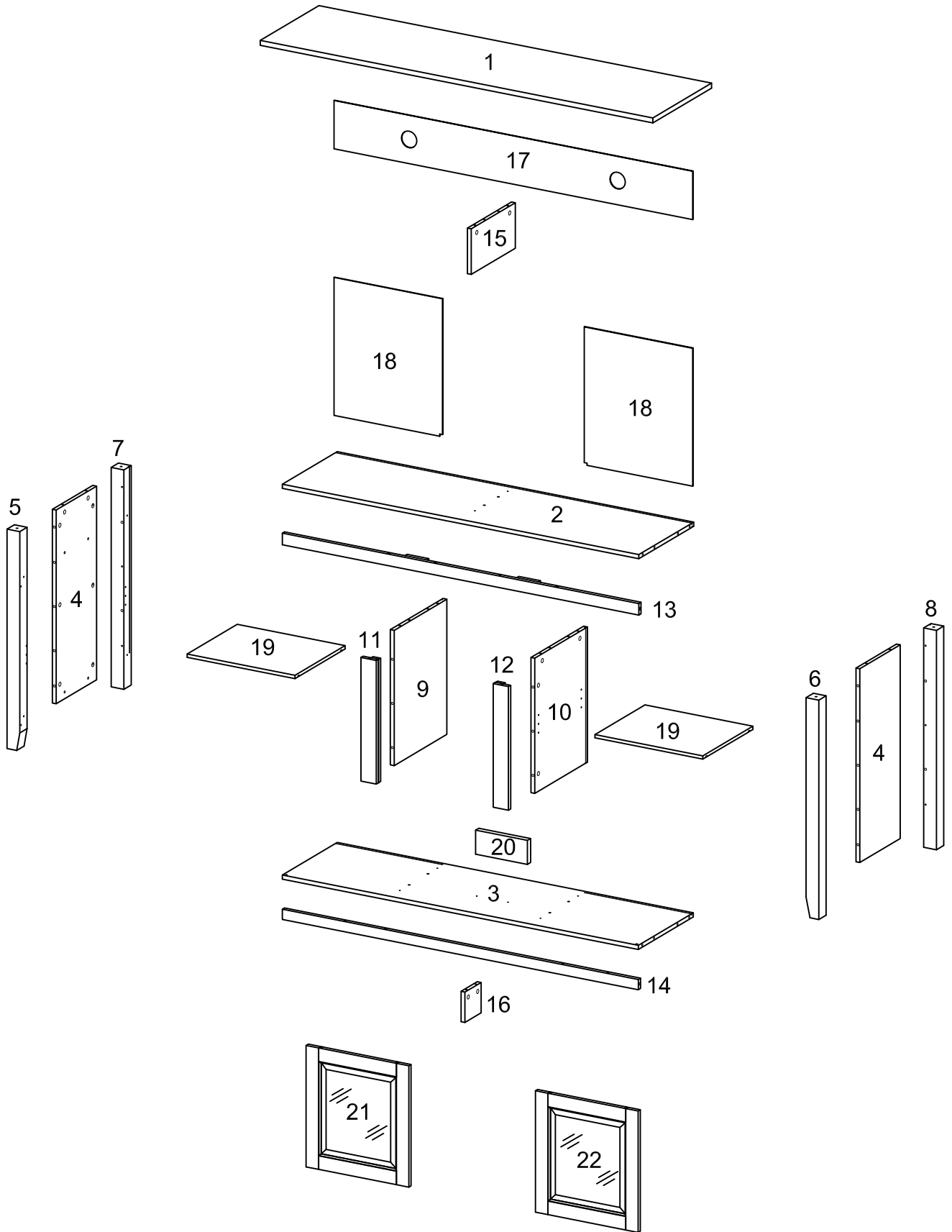
- VI. A Phillips head screwdriver is required for the assembly of this product .




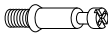

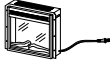



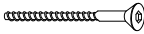



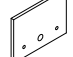





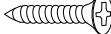

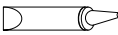

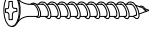


- VII. Power tools should not be used to assemble this product .

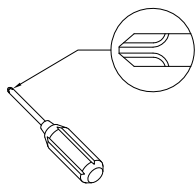


Parts List



Hardware List

A		Ø8x30mm	Wooden dowel	38 pcs
B		Ø8x30mm	Cam bolt	42 pcs
C		Ø15x12mm	Cam lock	42 pcs
D			Fireplace Insert (F18V66L)	1 pc
E		Ø3x12	Screw	6 pcs
F			Door stopper	2 pcs
G		Ø3x15mm	Screw	4 pcs
H		Ø6x50mm	Screw	6 pcs
J		133x25mm	Handle	2 pcs
K		Ø5/32"x22mm	Handle bolt	4 pcs
L		Ø3x12mm	Screw	10 pcs
M		30x20mm	Metal piece	2 pcs
N		40x15.5x15mm	Door Hinge	2 pcs
P		40x15.5x15mm	Door Hinge	2 pcs
Q		Ø9.5x12mm	Plastic pivot	4 pcs
R			Shelf support pin	8 pcs
S			Plastic wedges	16 pcs
T		Ø3x17mm	Screw	16 pcs
U		Ø4mm	Wrench	1 pc
V			Glue tube	2 pcs
W		Ø30mm	Sticker	42 pcs
X		Ø4x45	Screw	4 pcs
Y		Ø4x45	Knob	2 pcs
Z		Ø4x19mm	Knob bolt	2 pcs



Philips head screwdriver required for assembly
(not included)

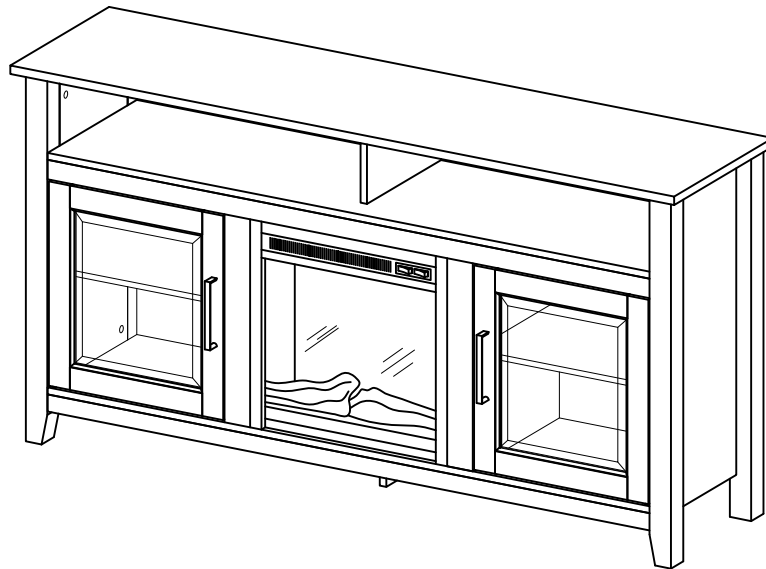
*The hardware quantities listed above are required for proper assembly.
Some extra hardware may also have been included.*

TWO ASSEMBLY OPTIONS

Option A

(The handle)

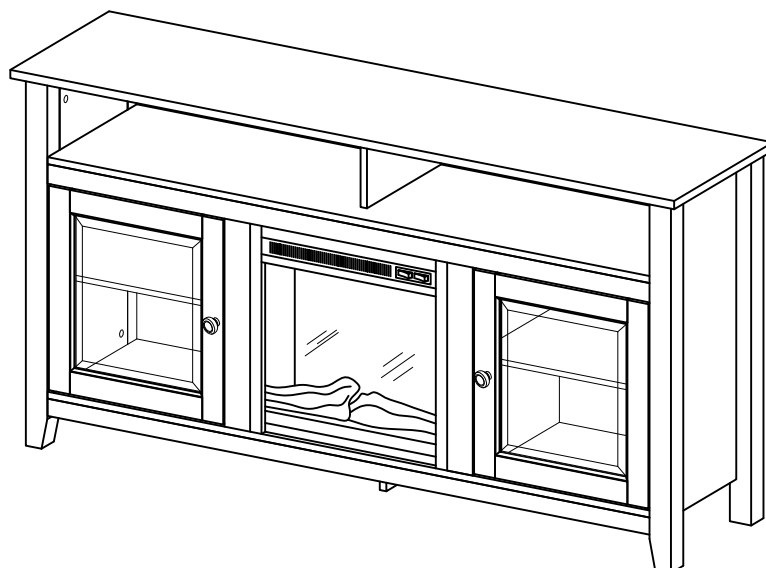
To assemble this option refer to step 21A-24A



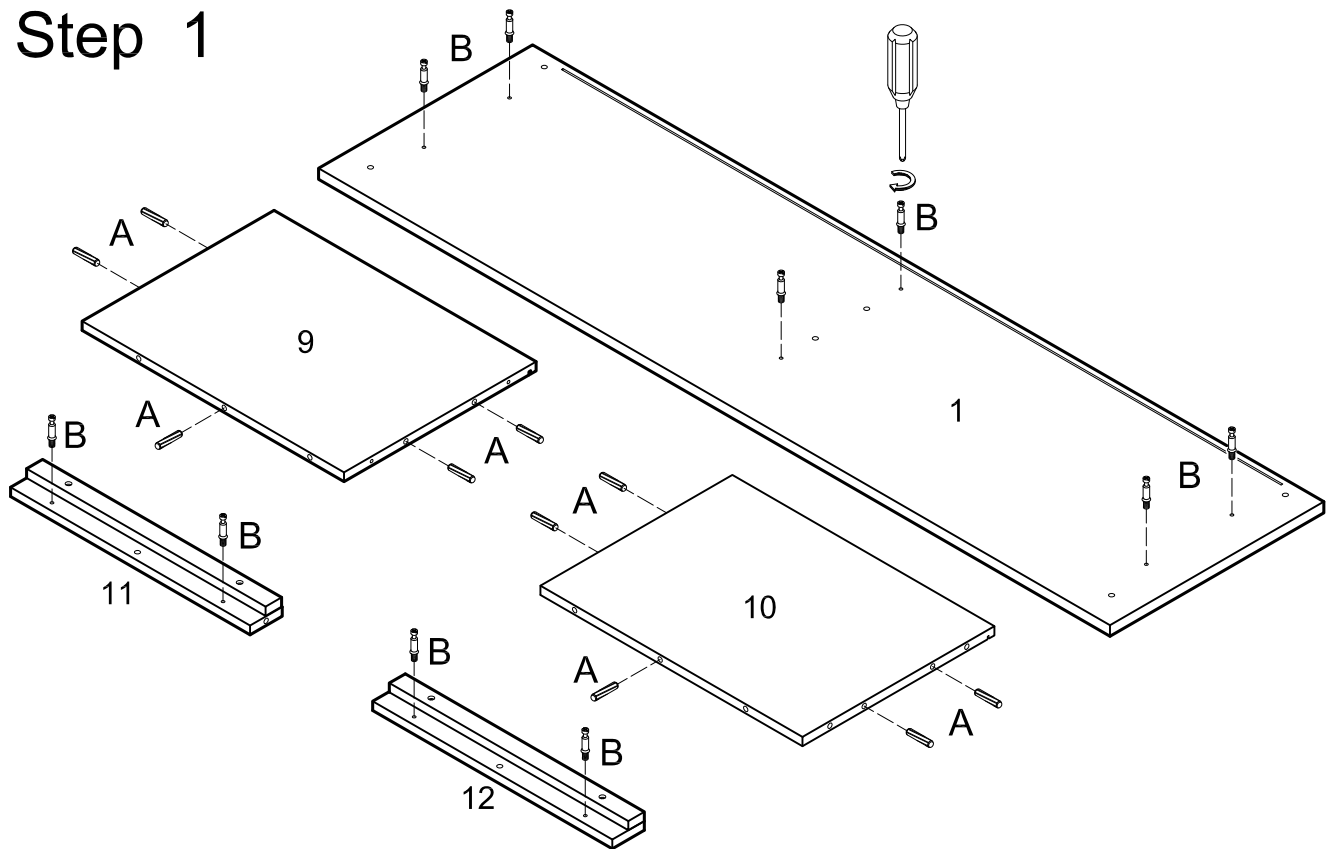
Option B

(The knob)

To assemble this option refer to step 21B-24B

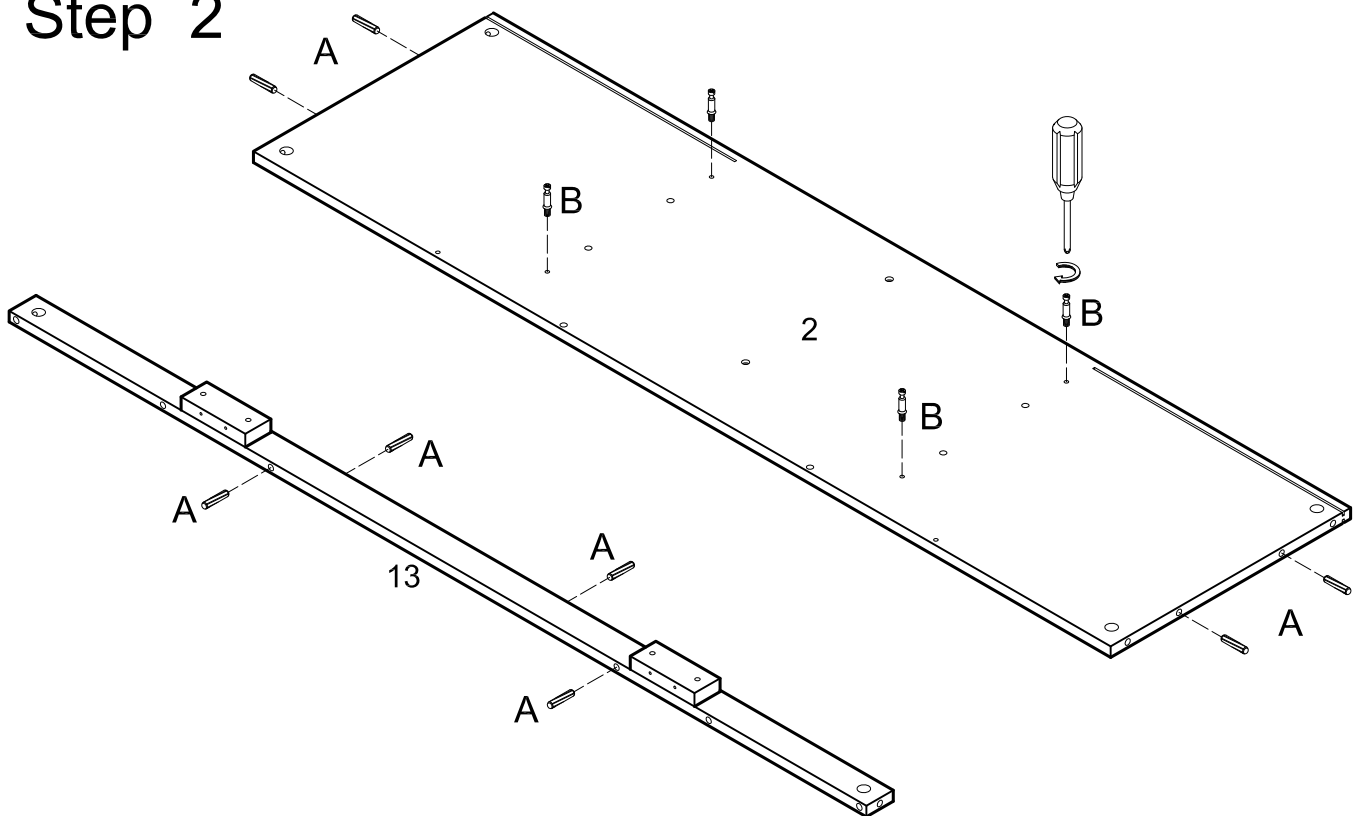


Step 1



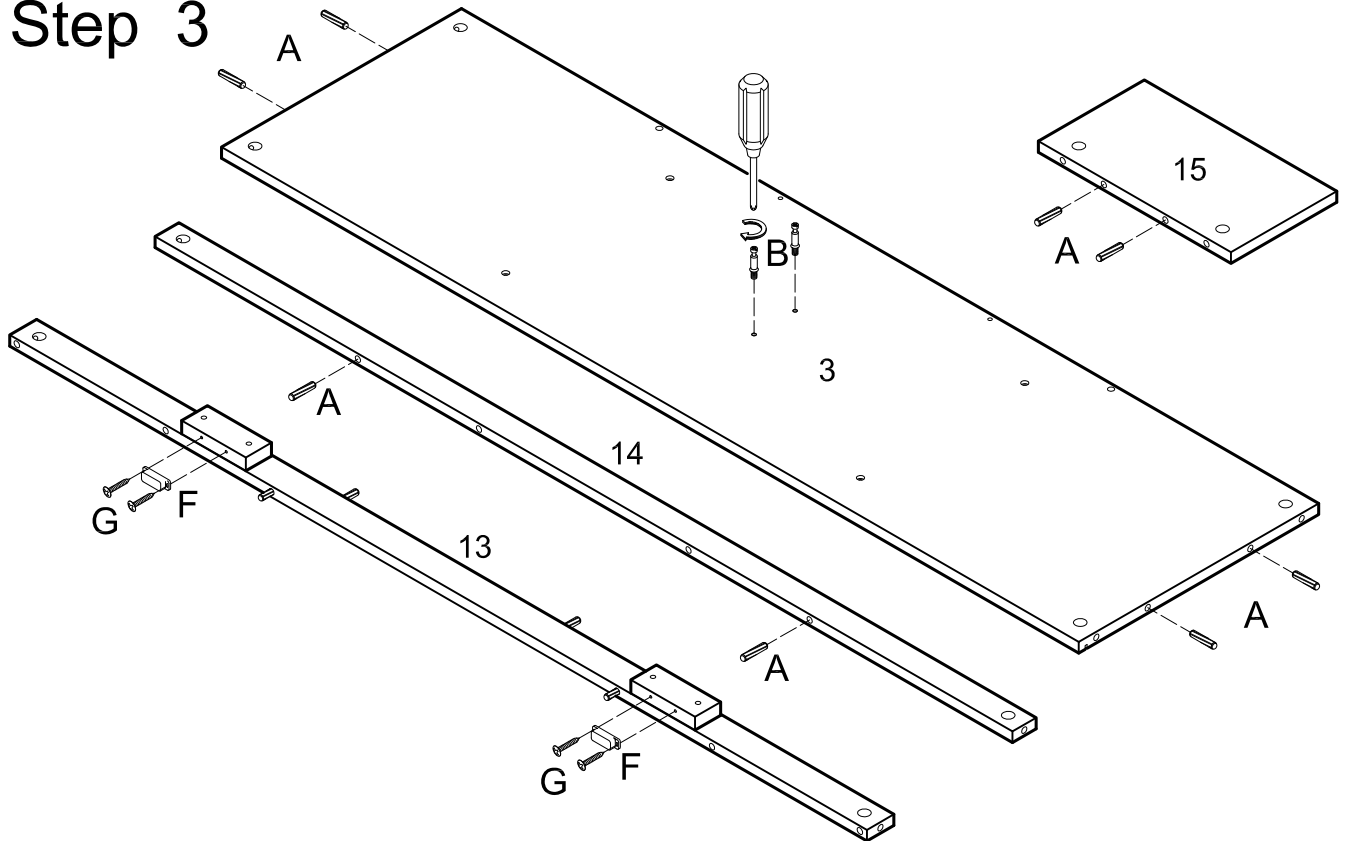
Insert the wooden dowel (A) into the support panel (9)(10).
Insert the cam bolt (B) into the top panel (1), face plate (11)(12).

Step 2



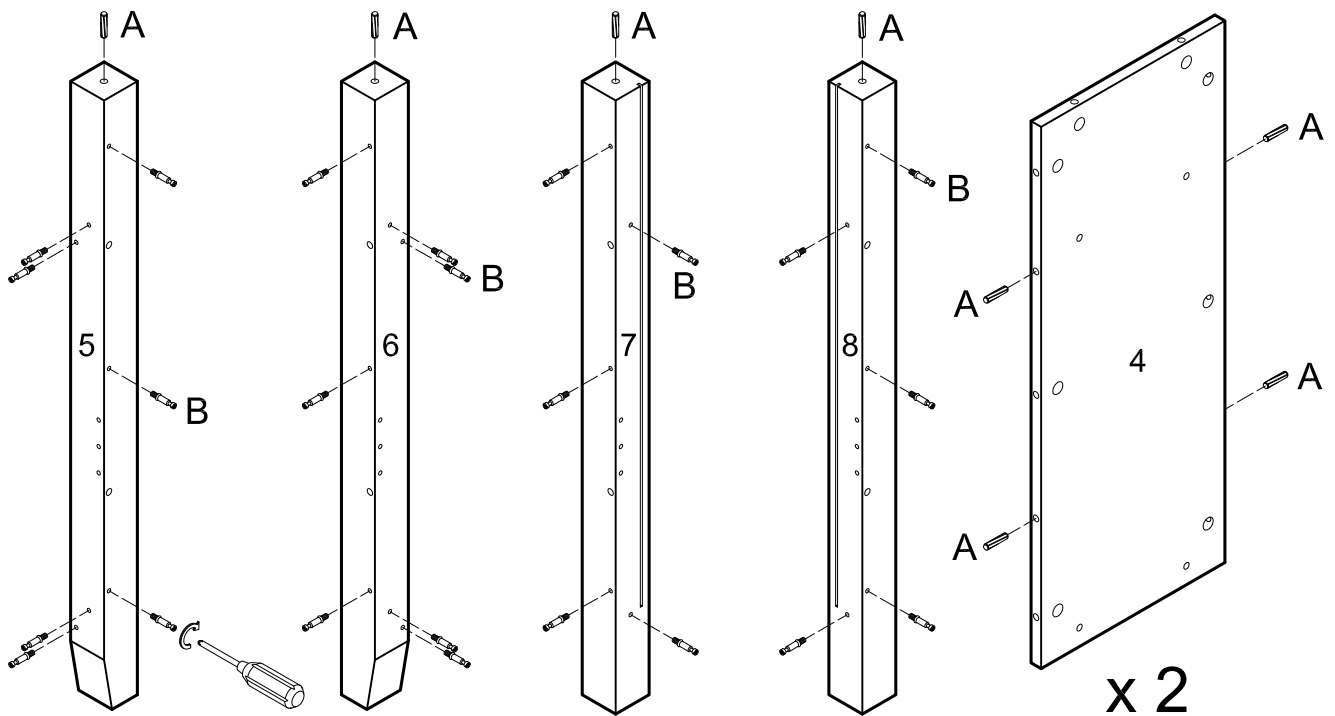
Insert the wooden dowel (A) and cam bolt (B) into the middle panel (2).
Insert the wooden dowel (A) into the skirt (13).

Step 3



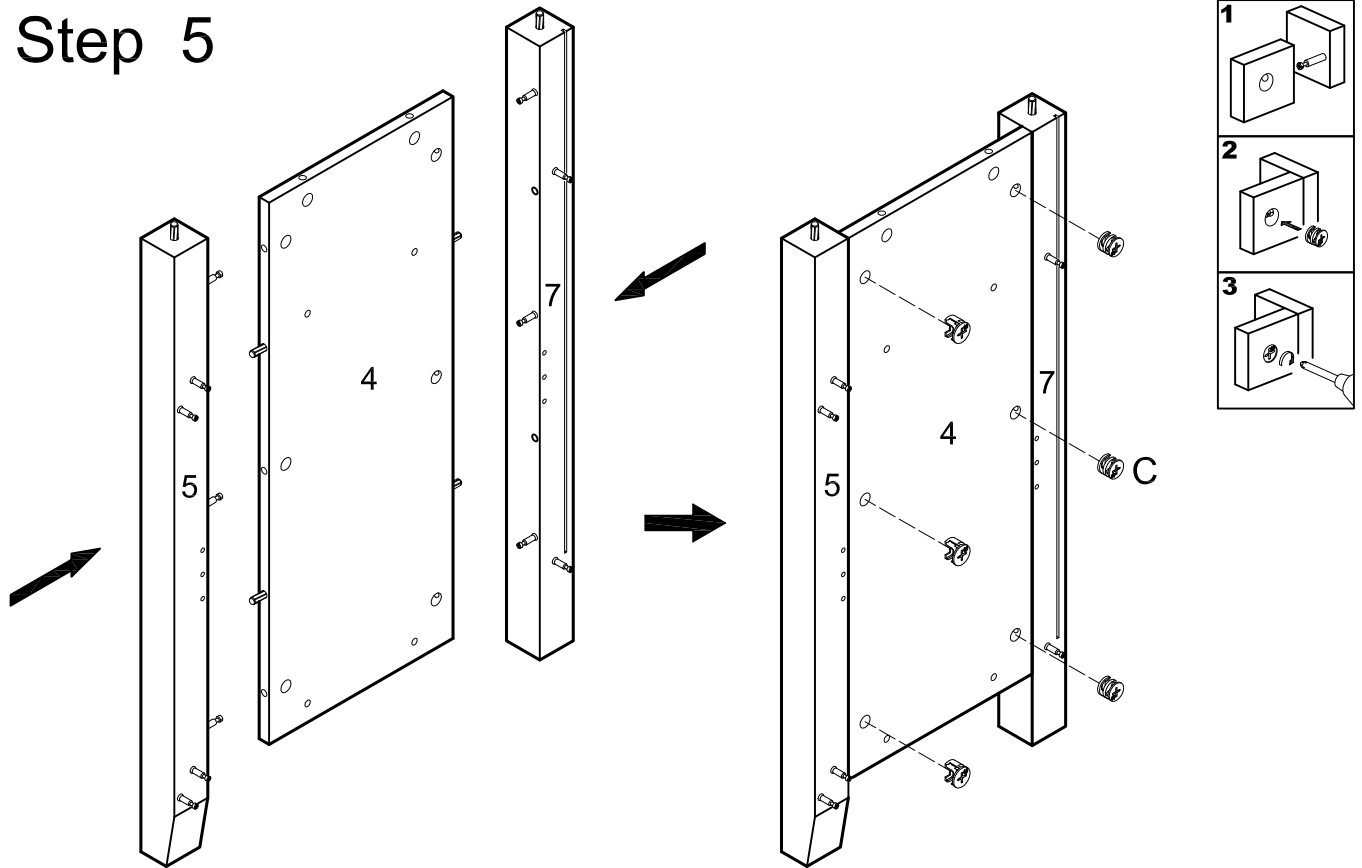
Insert the cam bolt (B) and wooden dowel (A) into the bottom panel (3.). Insert the wooden dowel (A) into the skirt (14) and support panel (15). Attach the door stopper (F) to the skirt (13) and secure it by screw (G).

Step 4



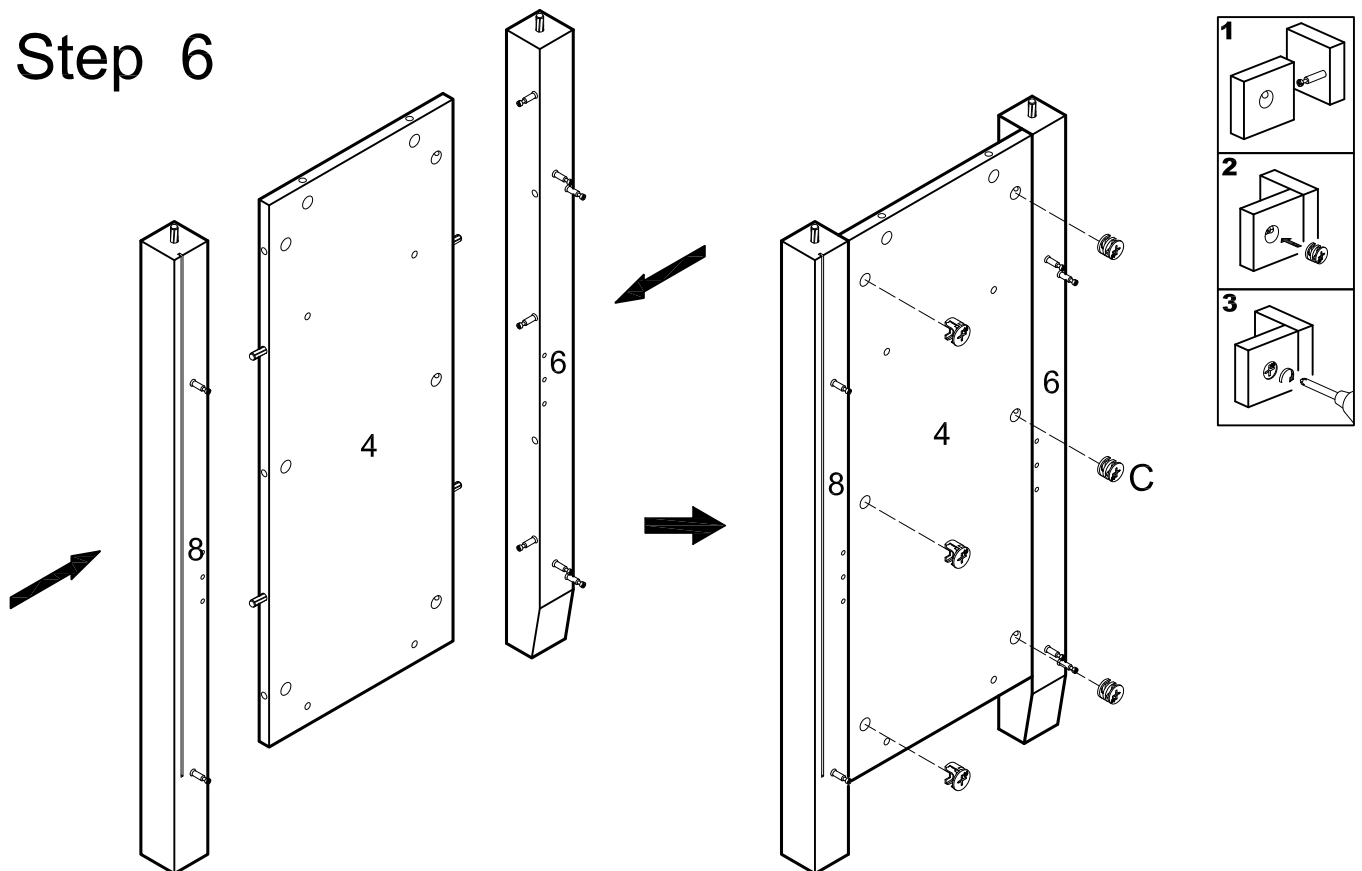
Insert the wooden dowel (A), and cam bolt (B) into the wooden legs (5,6,7,8).
Insert the wooden dowel (A) into the side panel (4).

Step 5



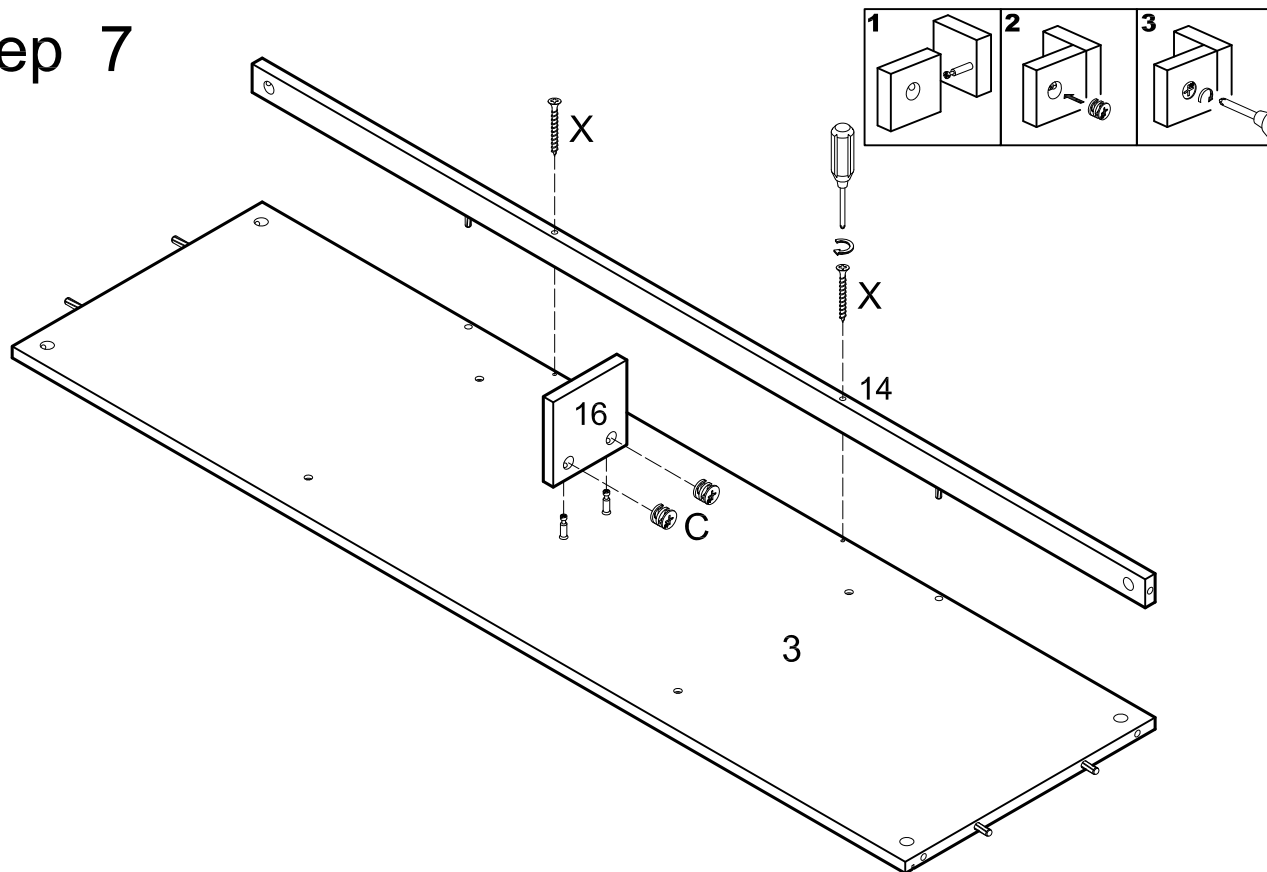
Use cam lock (C) to attach the wooden legs (5,7) to the side panel (4).

Step 6



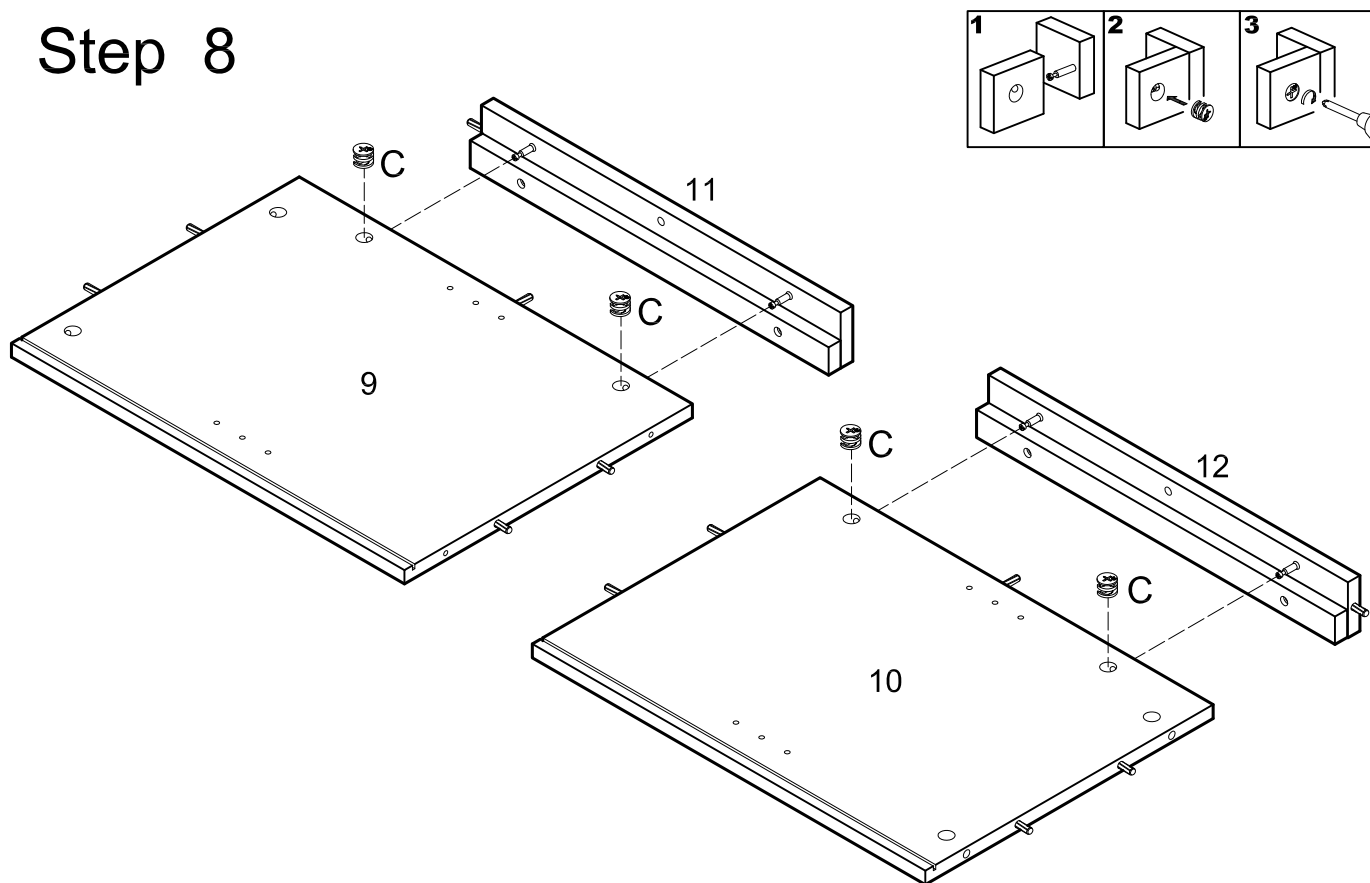
Repeat step #6 for wooden legs (6,8).

Step 7



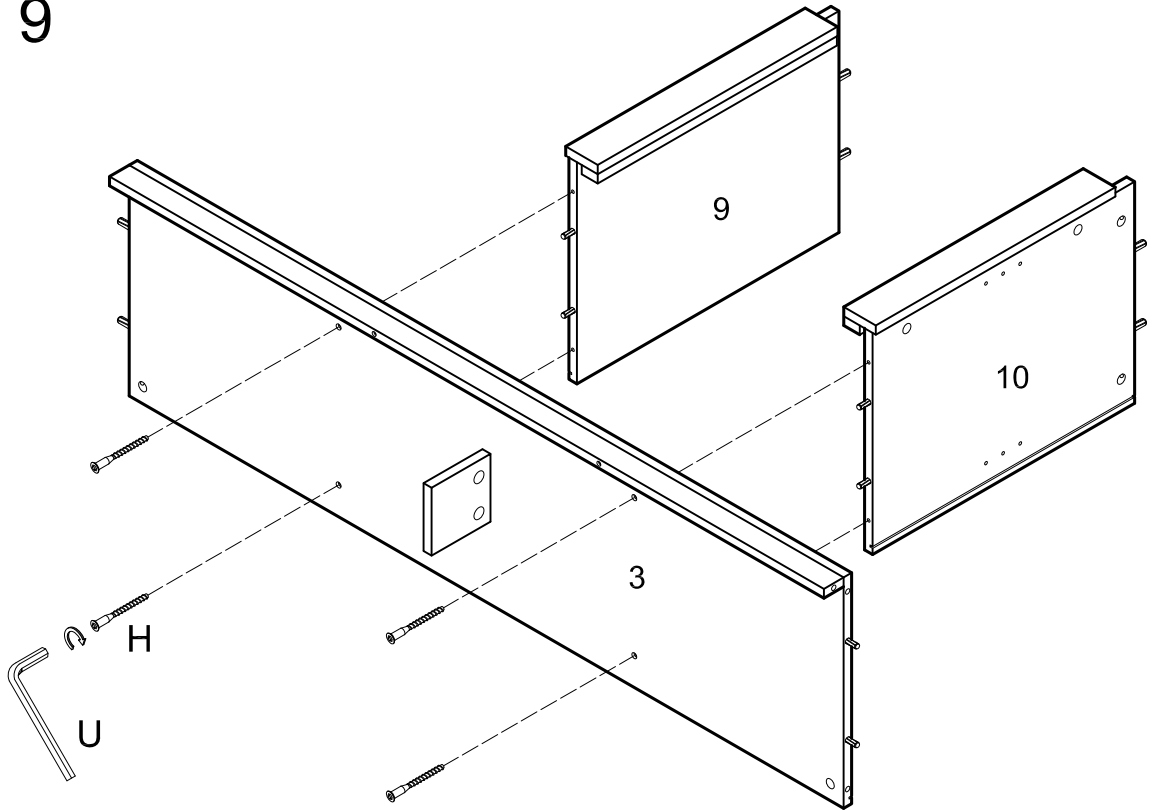
Use cam lock (C) to attach the skirt (14) and support leg (16) to the bottom panel (3).

Step 8



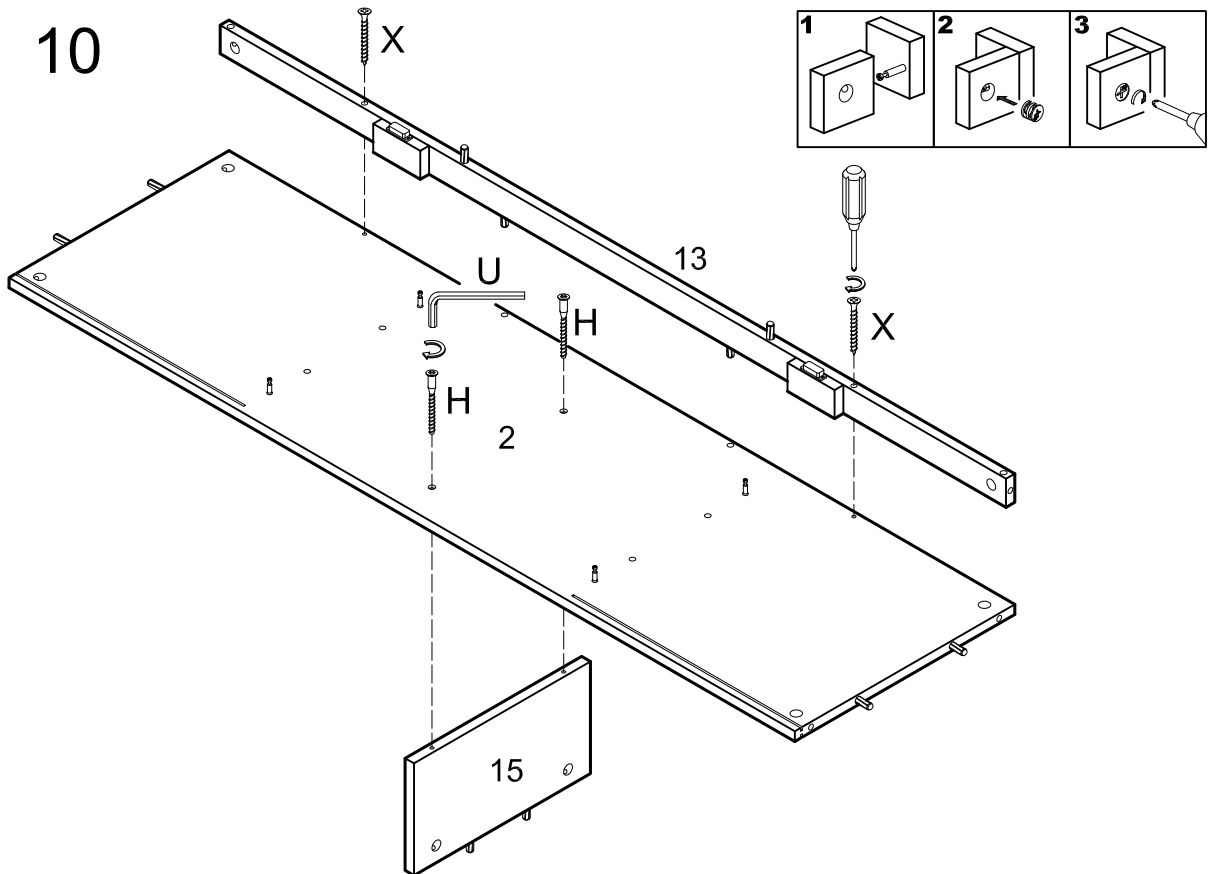
Use cam lock (C) to attach the face plate (11)(12) to the support panel (9)(10).

Step 9



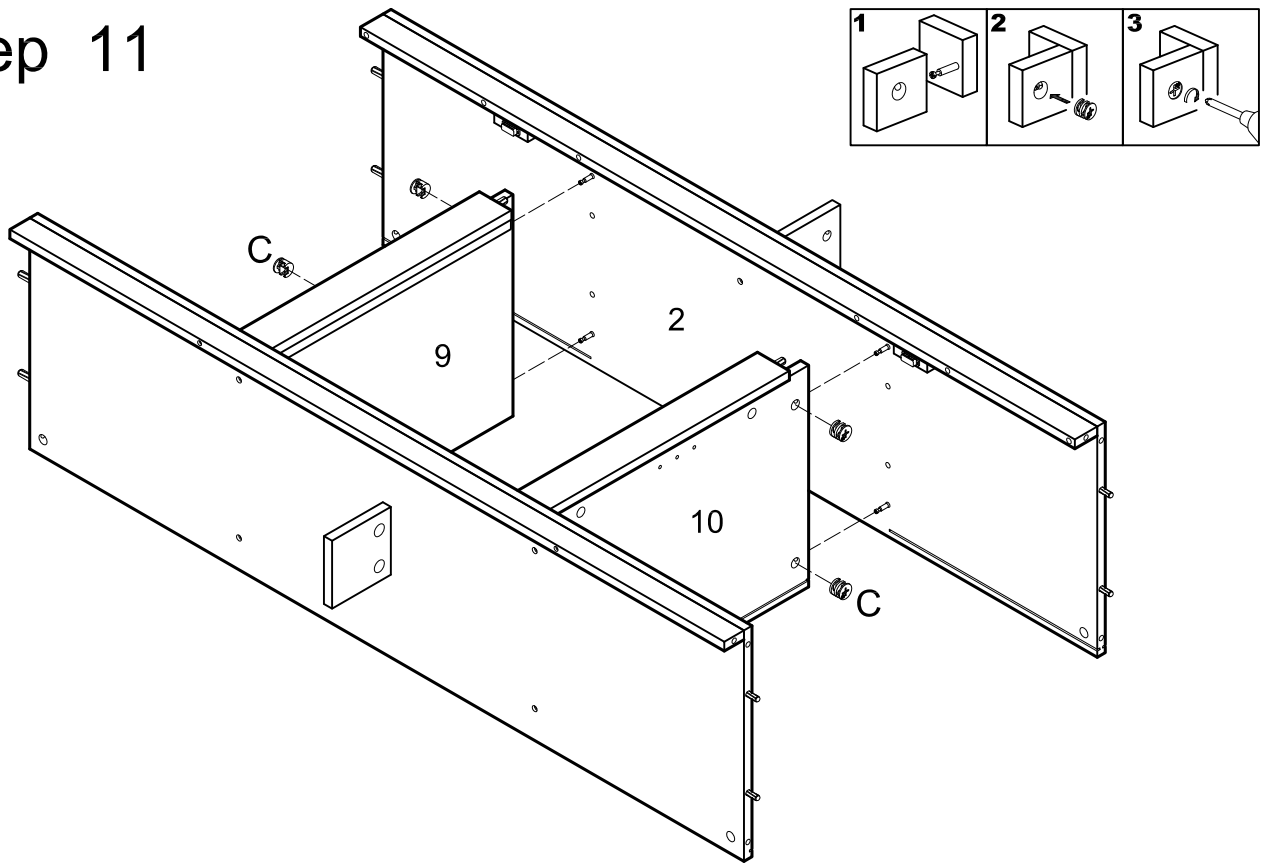
Attach the side panel (9,10) to the bottom panel (3) and secure it by bolt (H) and wrench (U).

Step 10



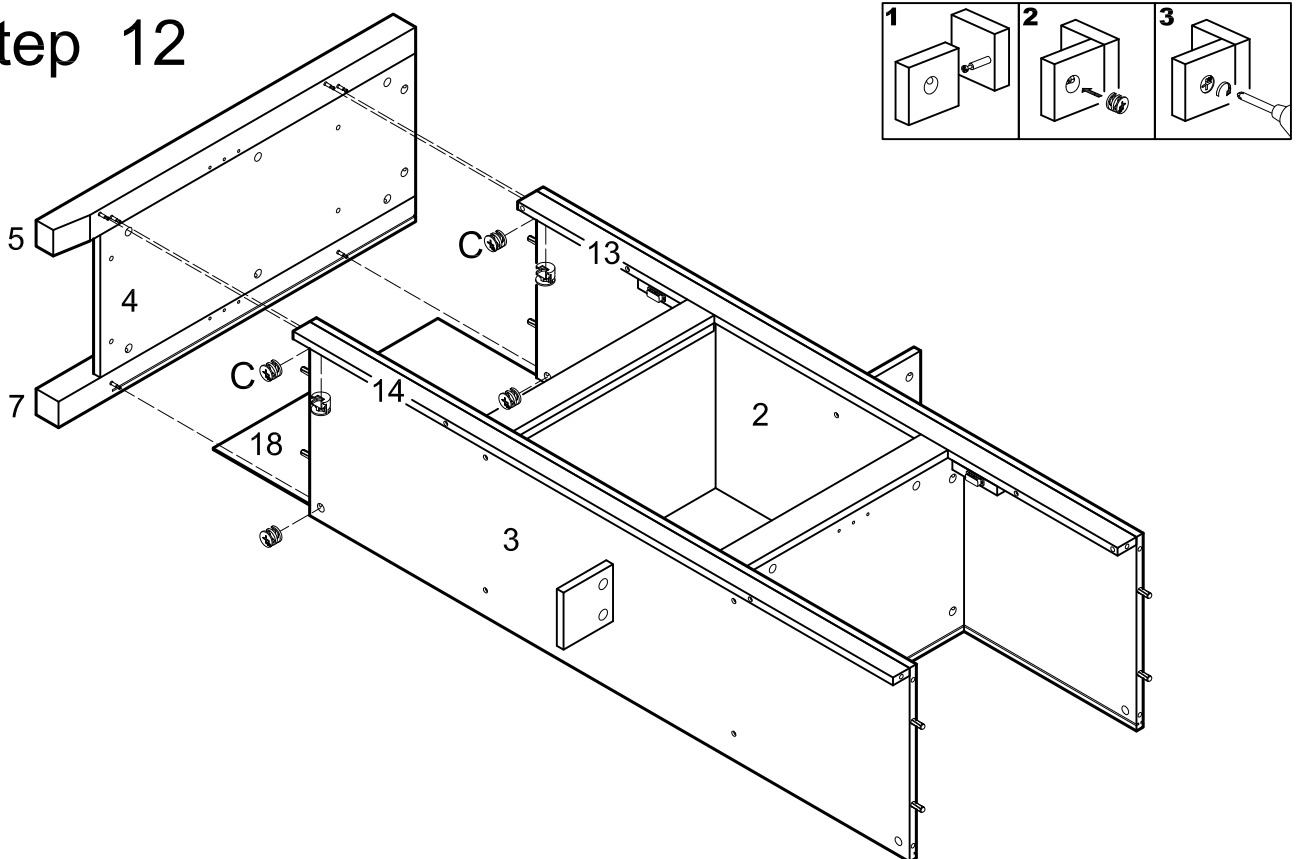
Turn the middle panel (2) upside down and use cam lock (C) to secure the skirt (13). Use screws (H) and wrench (U) to attach the support panel (15).

Step 11



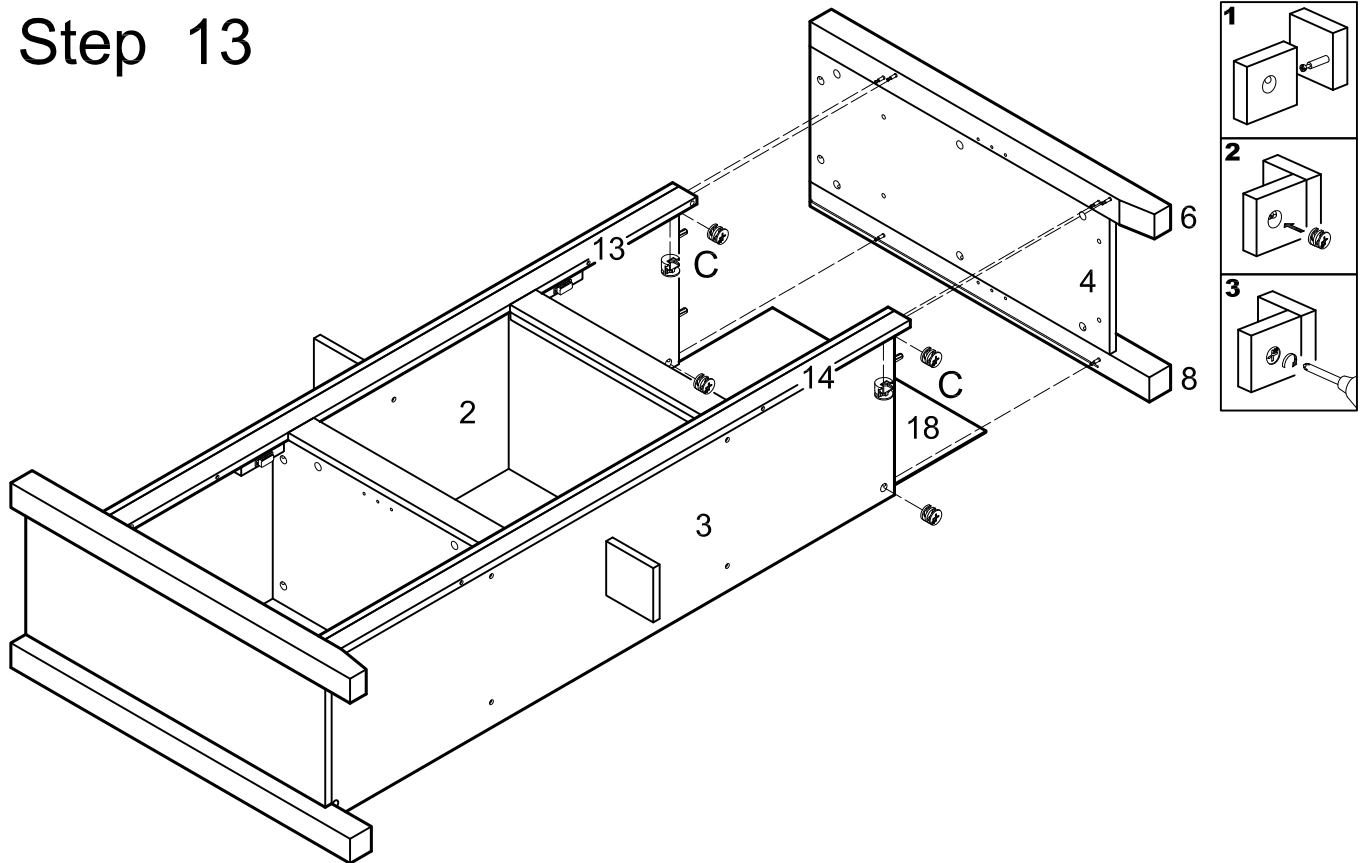
Use cam bolts (C) to secure the middle panel (2) into the support panel (9,10).

Step 12



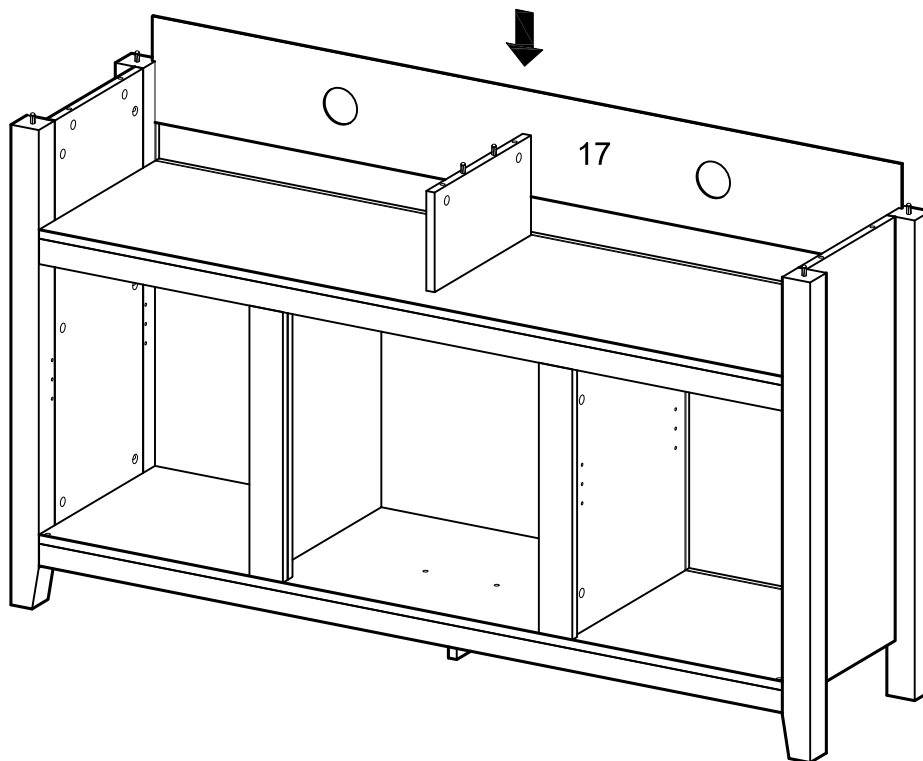
Insert the back panel (18) into the slot of the middle (2) and bottom panel (3). Attach the wooden leg (5,7) to the middle panel (2), bottom panel (3) and skirt (13)(14) and secure it with cam lock (C).

Step 13



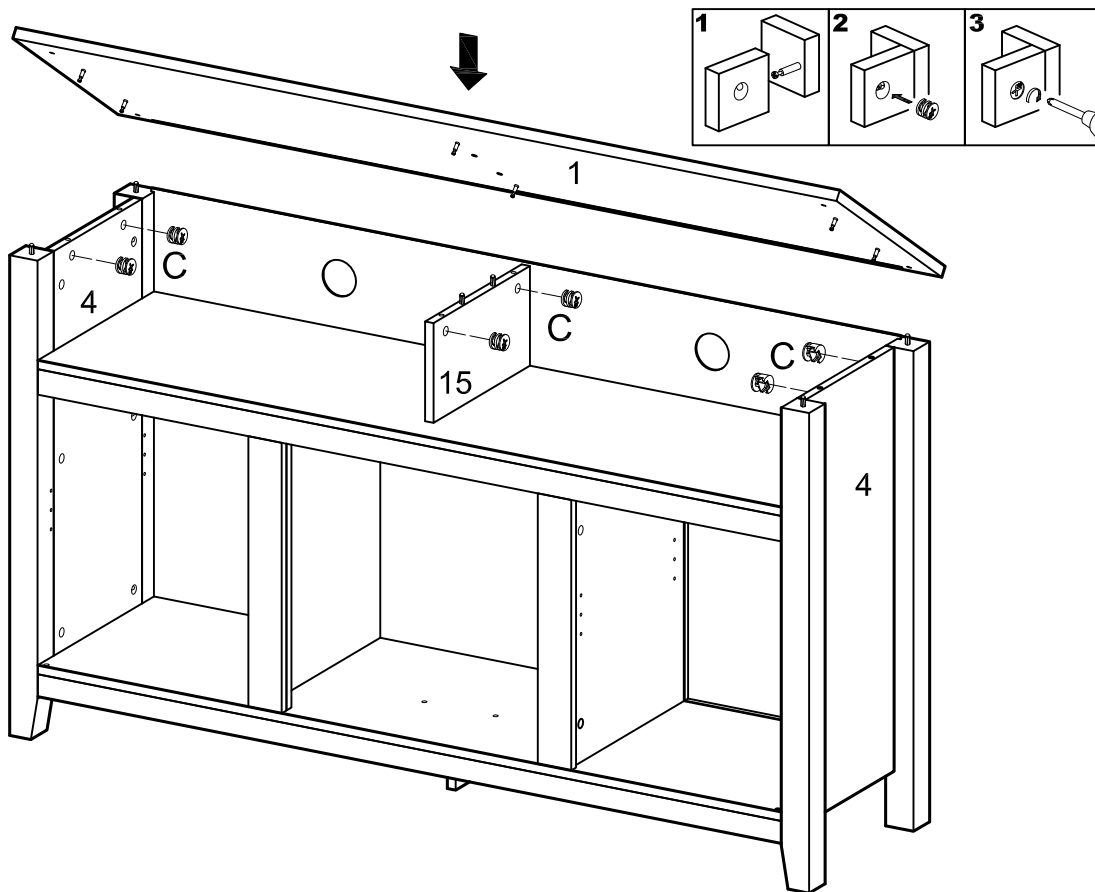
Repeat step #13 for wooden legs (6,8).

Step 14



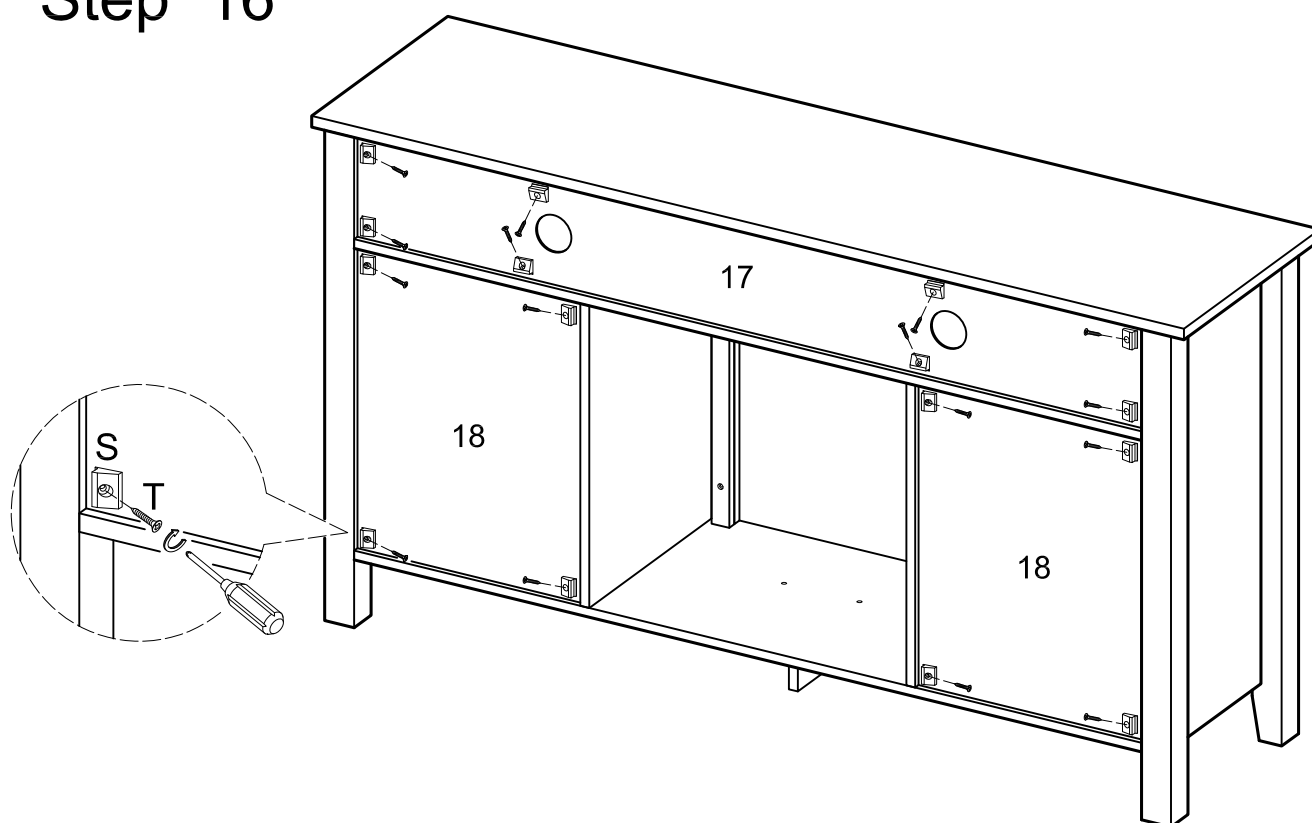
Place the stand up right and place the back panel (17) in the slot in the legs.

Step 15



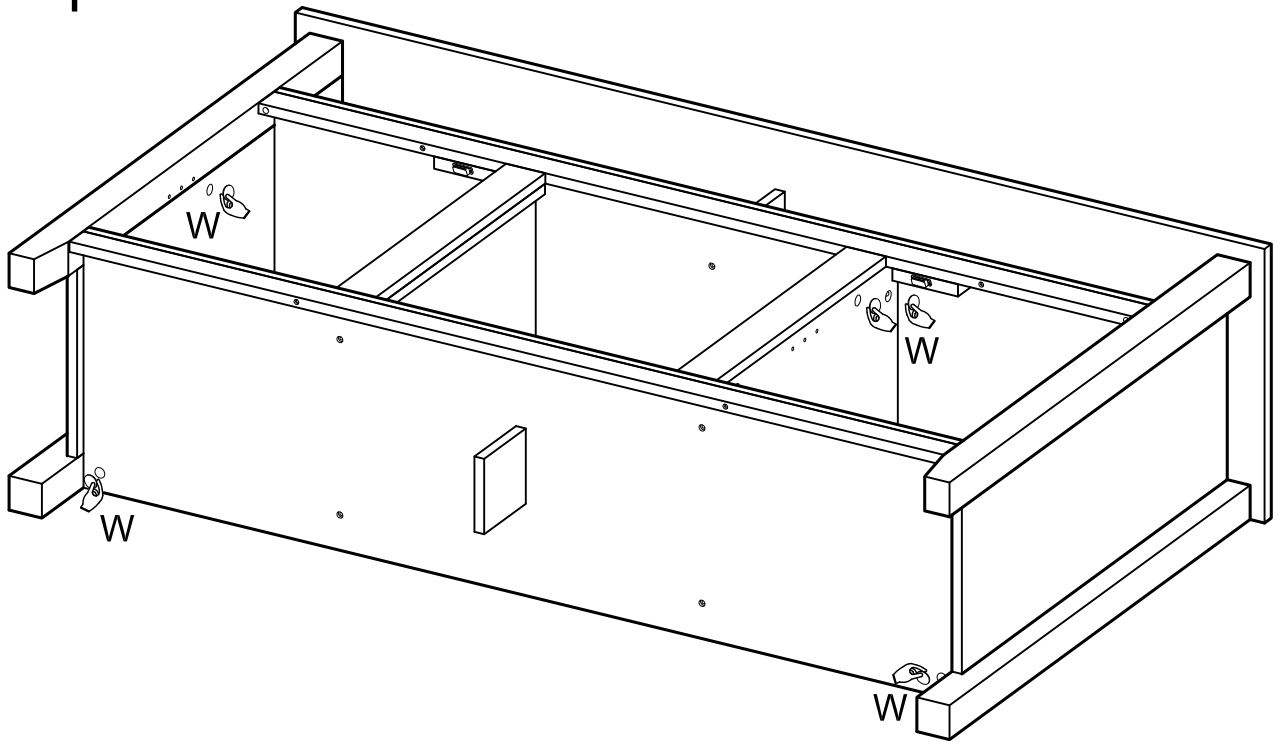
Place the top panel (1) on the stand and secure it with the cam locks (C).

Step 16



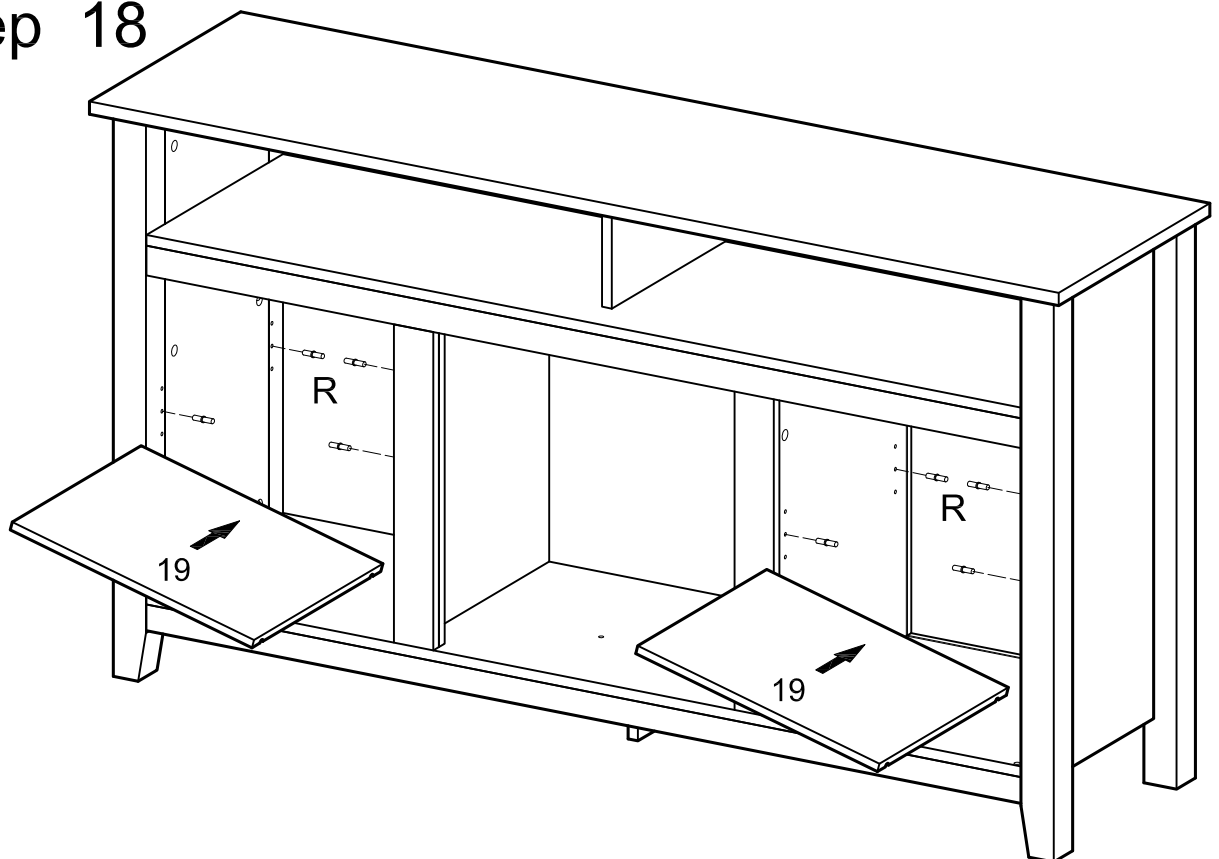
Use flat-head screw (T) and plastic wedge (S) to secure the back panel (17)(18).

Step 17



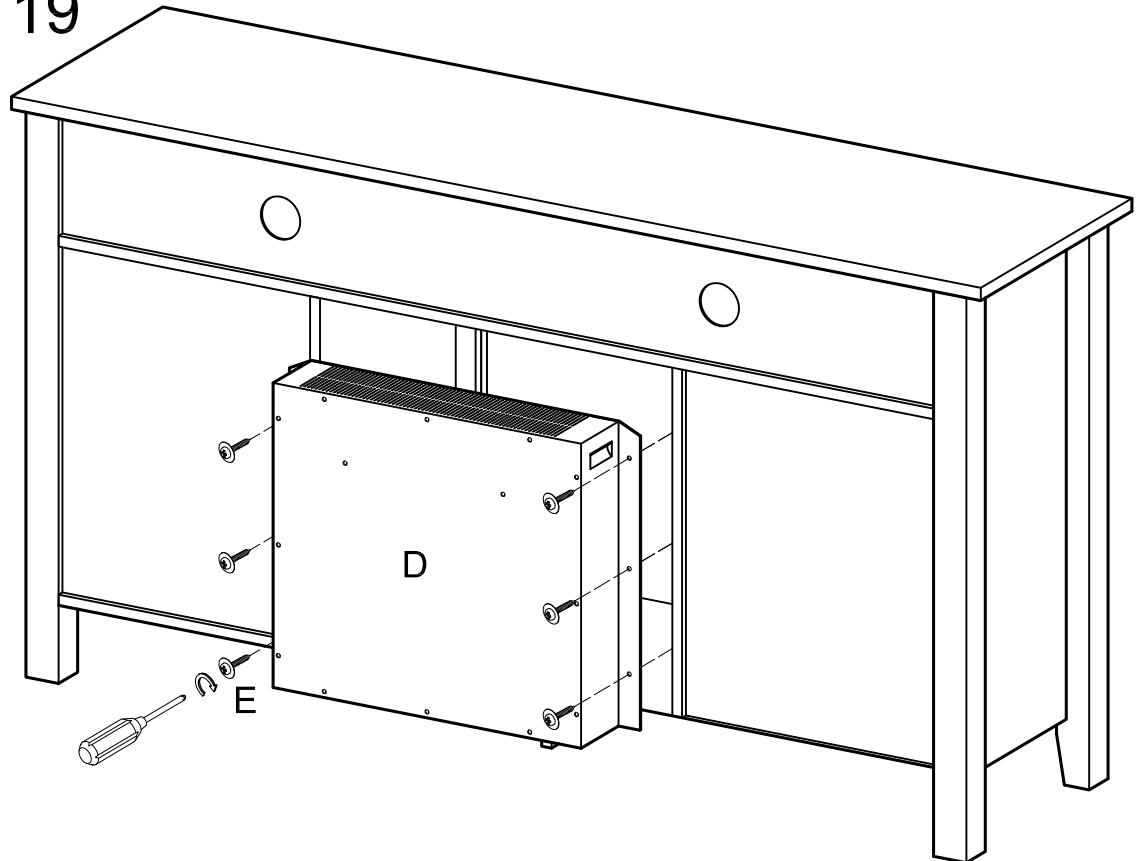
Use the stickers (W) to cover the cam locks.

Step 18



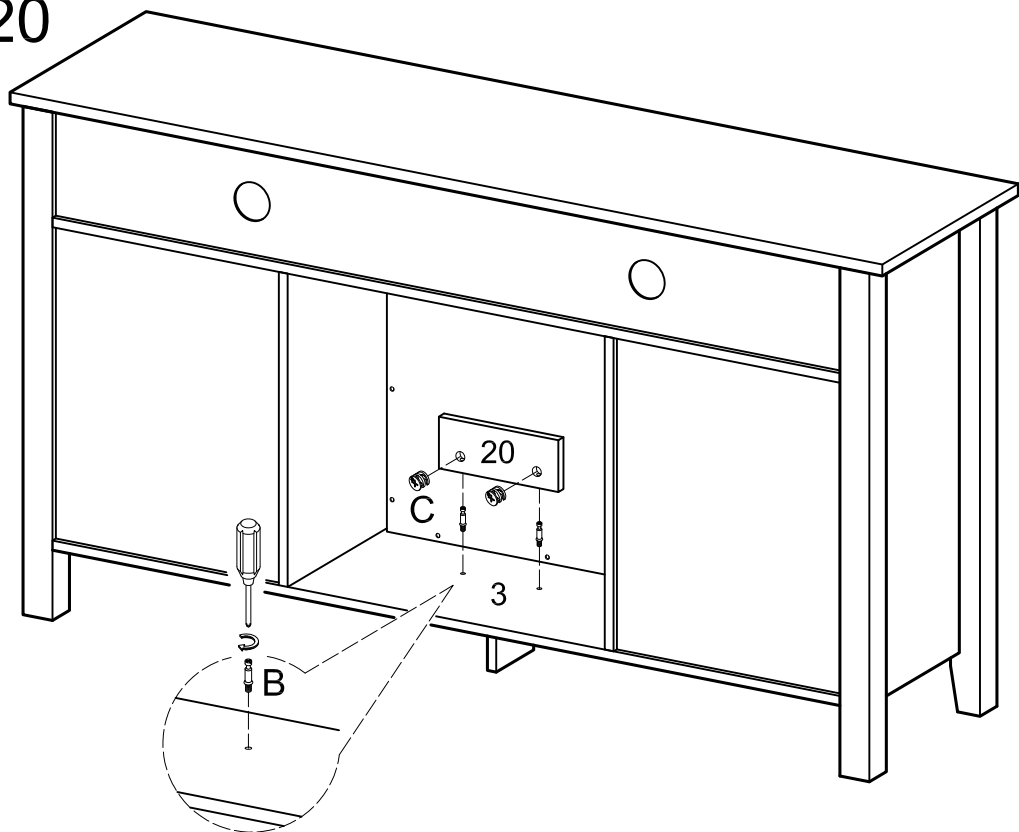
Insert the shelf support pin (R) into the stand and place the wooden shelf (19) on top.

Step 19



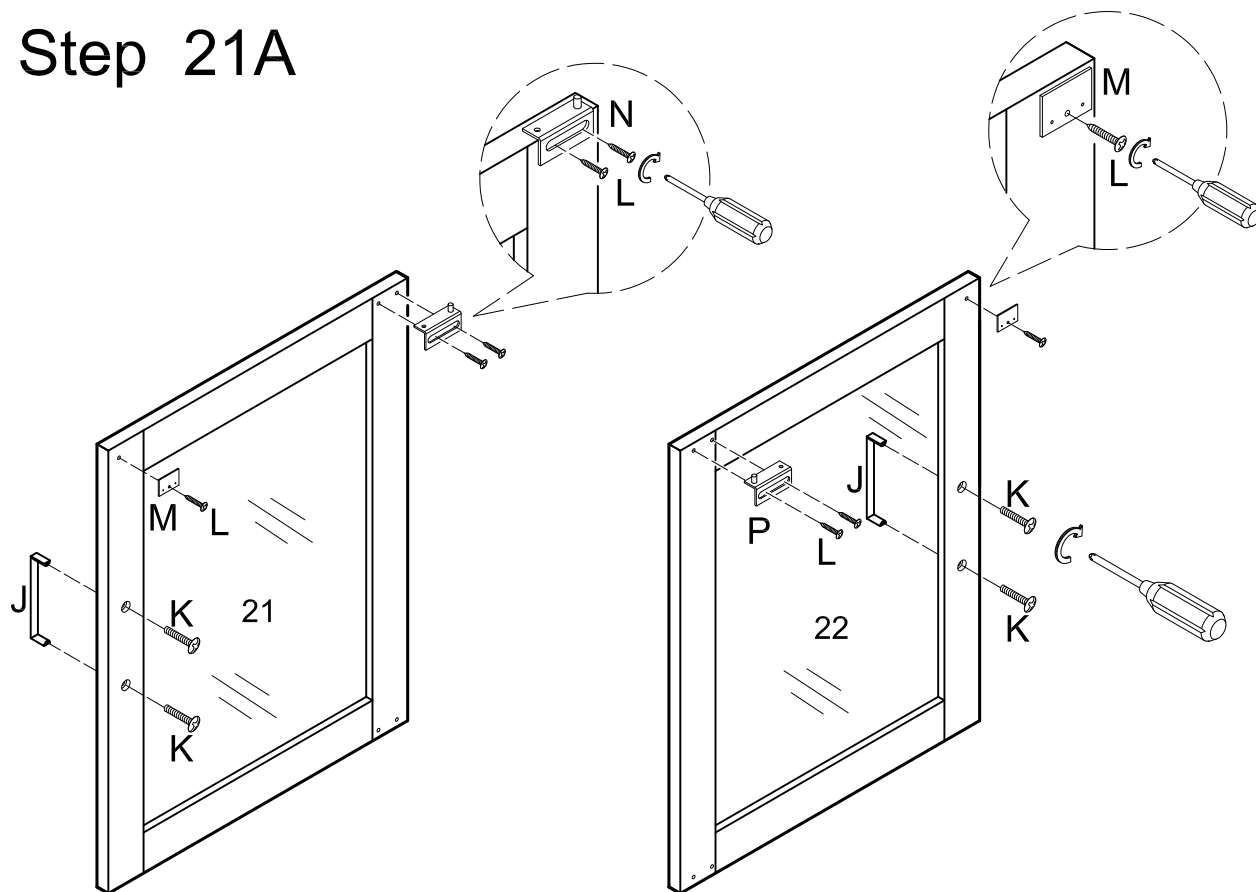
Attach the fireplace insert (D) to the stand by securing it with screw (E).

Step 20



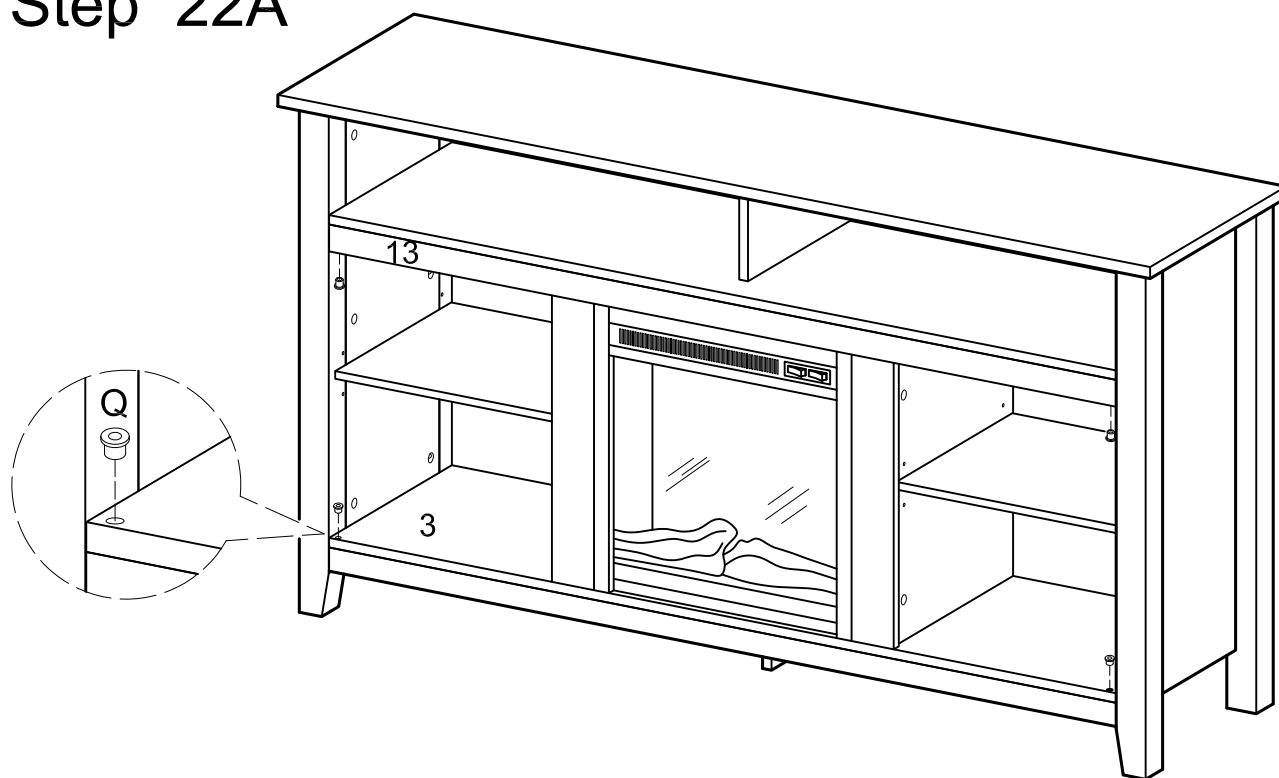
For security, insert the cam bolts (B) into the bottom panel and use cam lock (C) to attach the support panel (20) to the bottom panel (3).

Step 21A



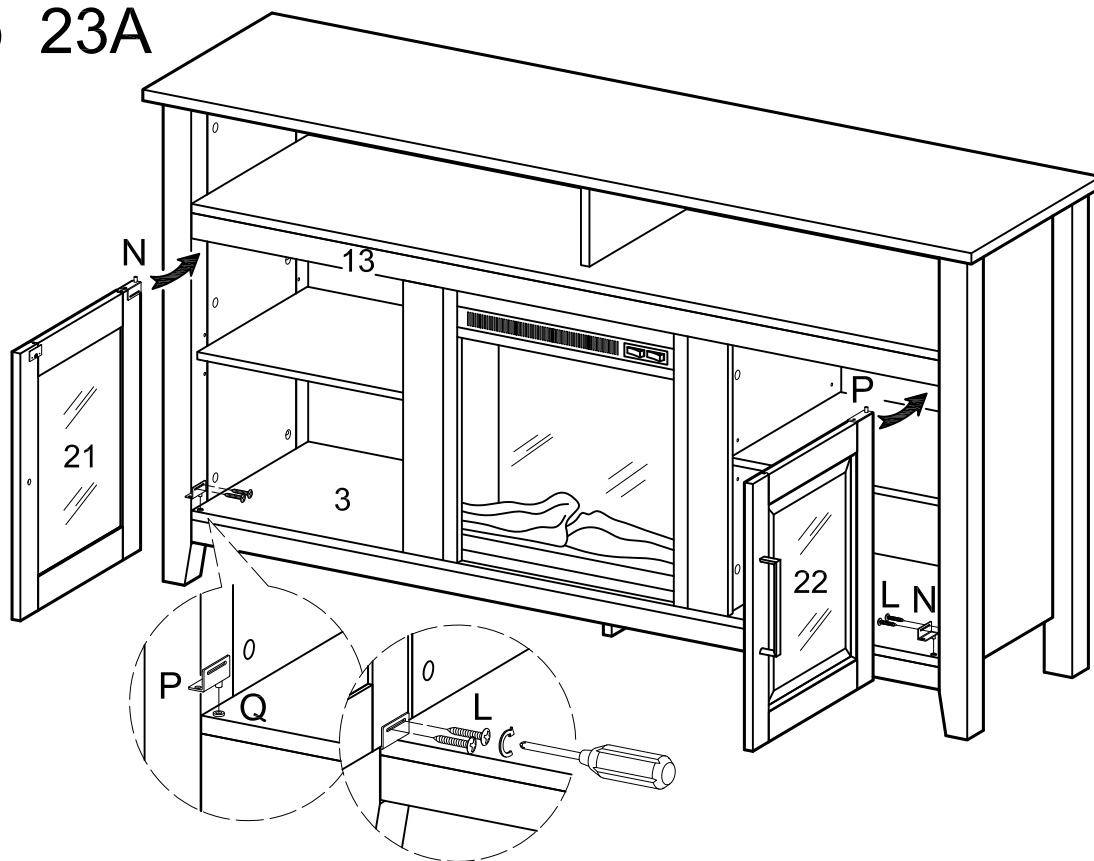
Attach the door hinge (N) and metal plate (M) to the glass doors and secure it with screw (L). Attach the door Handle (J) to the doors and secure it with handle bolt (K).

Step 22A



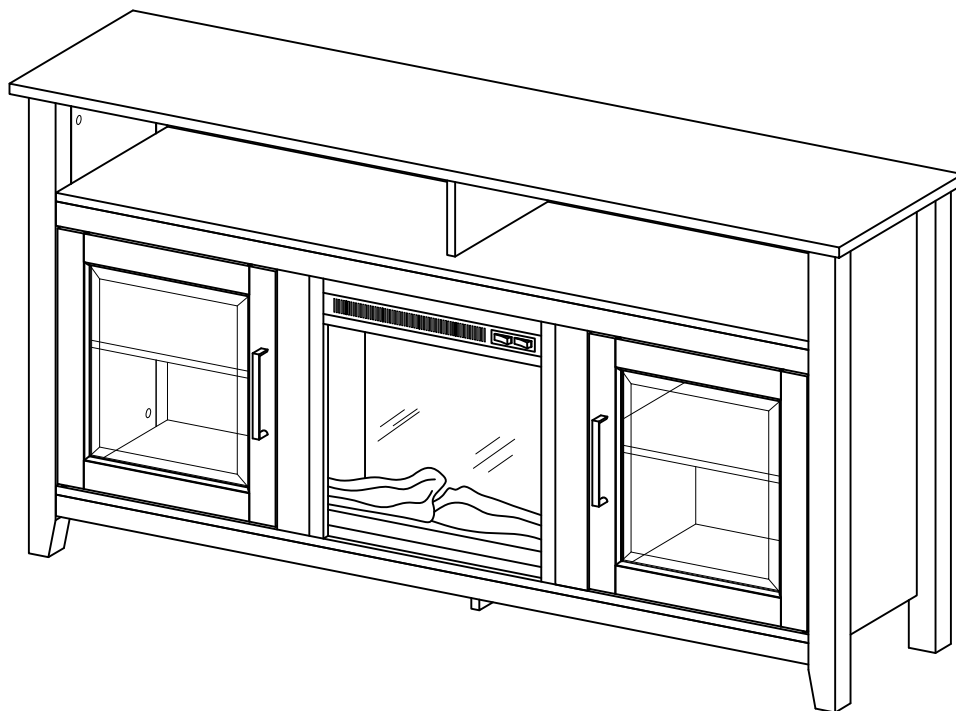
Insert the plastic pivot (Q) into the bottom panel (3) and skirt (13).

Step 23A



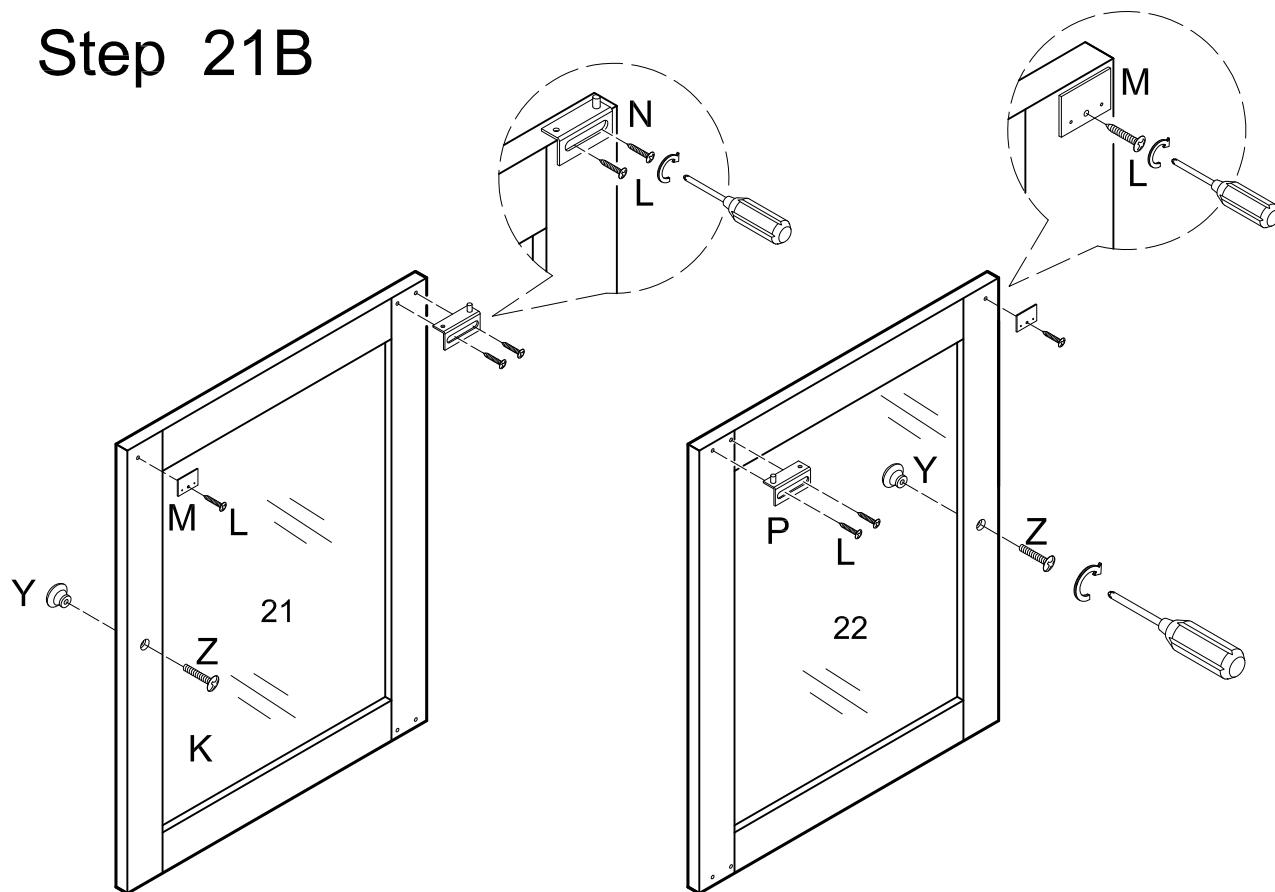
Insert the door hinge (P) into the plastic pivot (Q) on the bottom panel (3). Attach the door hinge (N) to the plastic pivot on skirt (13) and secure the door hinge (P) with screw (L).

Step 24A



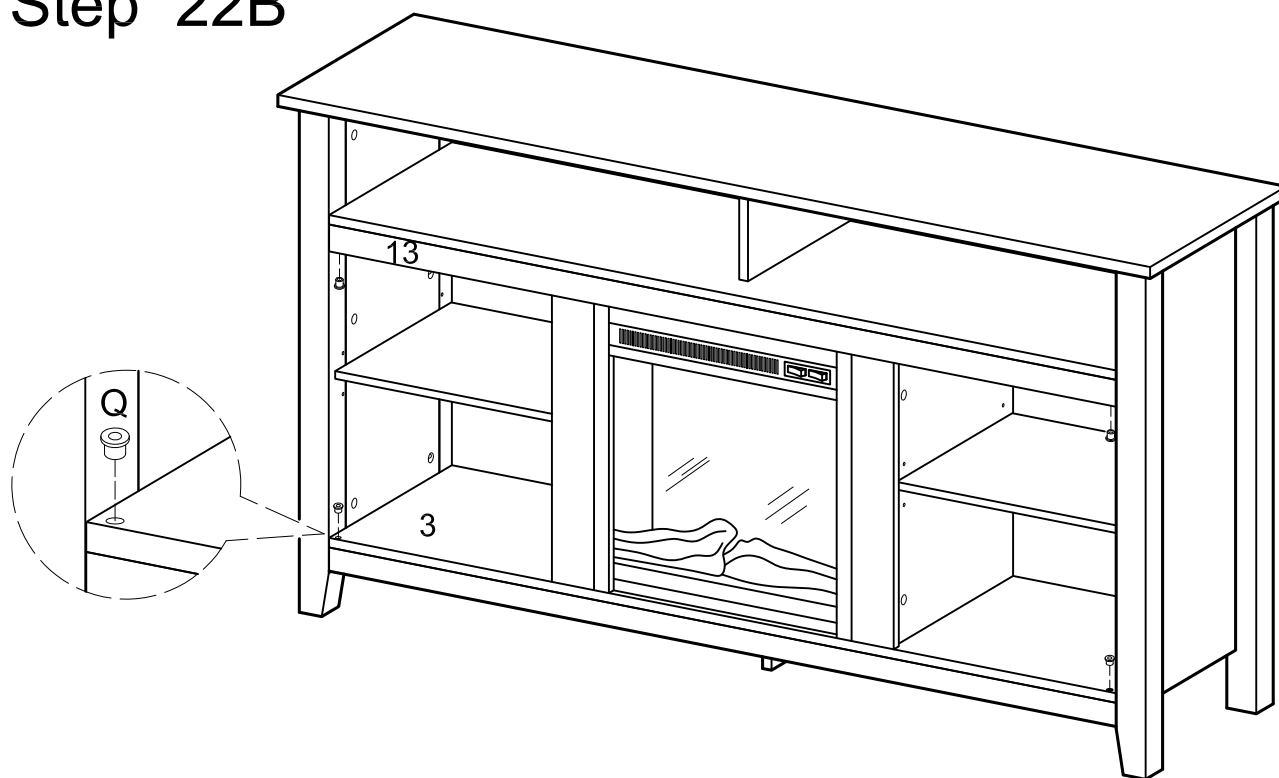
OPTION A Final

Step 21B



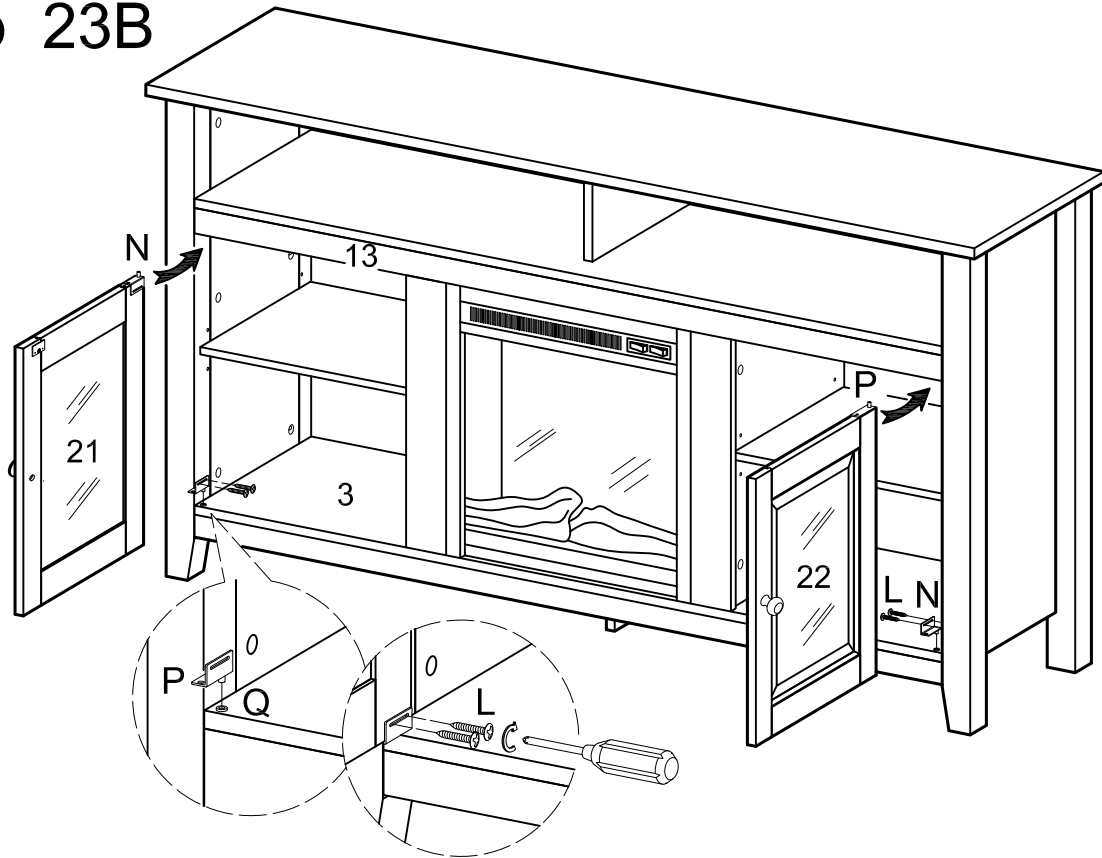
Attach the door hinge (N) and metal plate (M) to the glass doors and secure it with screw (L). Attach the door knob (Y) to the doors and secure it with knob bolt (Z).

Step 22B



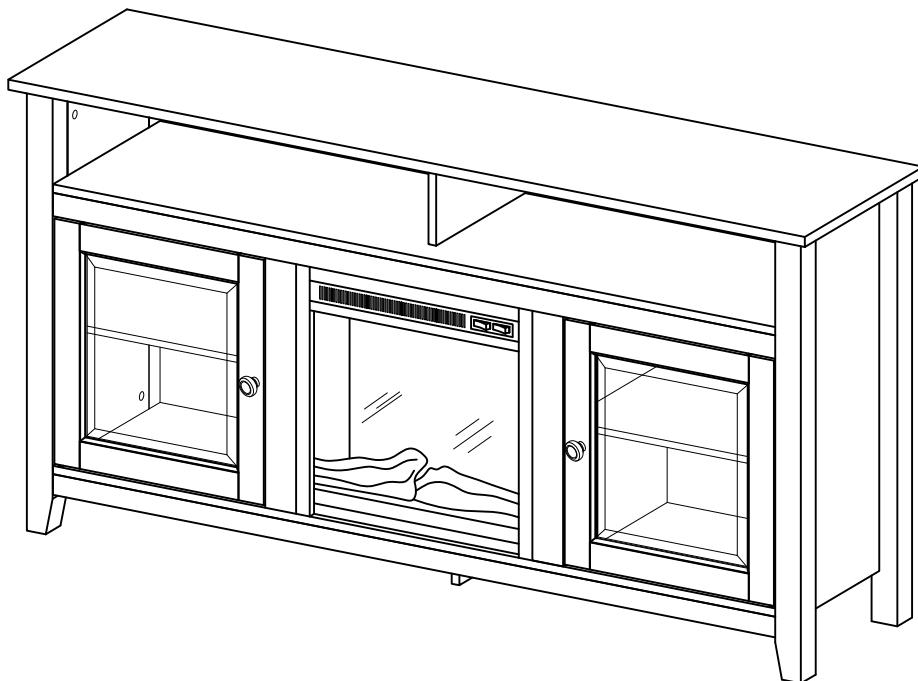
Insert the plastic pivot (Q) into the bottom panel (3) and skirt (13).

Step 23B



Insert the door hinge (P) into the plastic pivot (Q) on the bottom panel (3). Attach the door hinge (N) to the plastic pivot on skirt (13) and secure the door hinge (P) with screw (L).

Step 24B



OPTION B Final