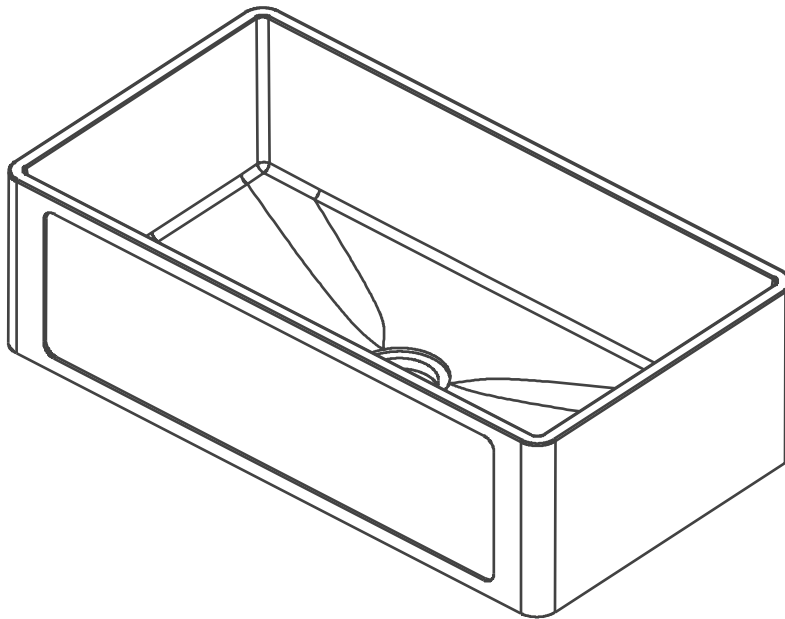




Kitchen Sink



User Manual & Installation Instructions

IMPORTANT SAFETY INSTRUCTIONS
Carefully read the important information
regarding installation, safety and maintenance.
Keep these instructions for future reference.

MAAN3352-01
2020-04-17

Before You Begin

General Recommendations:

- Read installation and maintenance instructions, thoroughly before installation.
- Inspect your sink for any noticeable damage before installation.
- Be sure to use proper tools and always wear personal safety accessories for your protection.
- Check all local applicable plumbing and building codes.



WARNING:

The enclosed cut-out template is provided as a guide only and should be checked against actual sink to determine correct fit. Metal edges may be sharp. Use gloves when handling.

Instructions are based on application to composite material or solid surface countertop installation only, countertop application to stone, marble, granite or butcher-block should be referred to an experienced countertop fabricator for custom installation.

We suggest using experienced and professional installers only. For custom cutting of countertop and installation of sink, on-site installation is also recommended. Acceptable variances are approximately 1/8 of an inch (0.3 cm). Alignment to the cut-out and precise application and trimming of any adhesive sealant are critical to a superior fit and finished look.

Installation requires custom order cabinets. Consult your cabinet dealer.

Long-Life Care

Ancona sinks are easy to keep looking new, longer with minimal care. For best results, always rinse with a mild soap and wipe after each use. Rub lightly with soft cloth in the direction of the grain line on a regular basis. To avoid damage and discoloration to the sink surface never use a steel wool or scouring pad.

Product failure due to the disregard of the manufacturer's instructions or guidelines, is not covered under the Warranty.

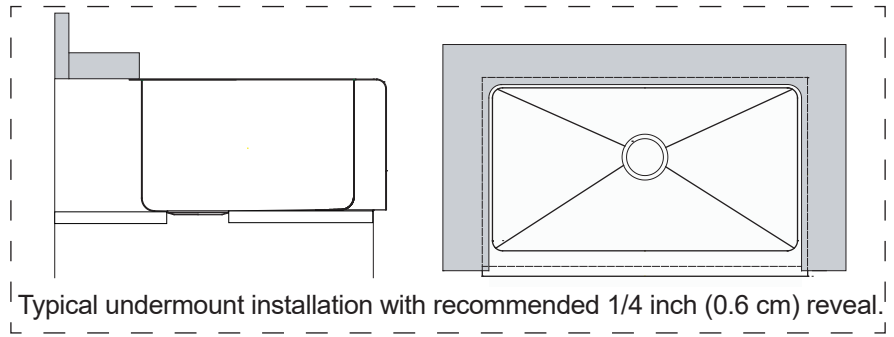
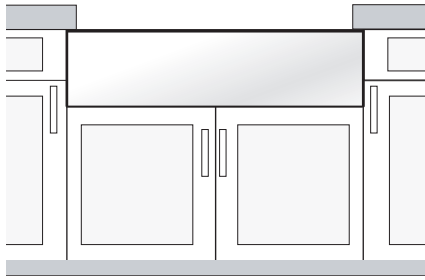
Required Tools

- Tape measure
- Pencil (NOT ink)
- Putty knife
- Scissors
- Adjustable wrenches
- Sealant drill and 1/2 inch (or larger) drill bits
- Silicone adhesive sealant
- Rags
- Denatured alcohol
- Ear protection
- Eye protection
- Gloves
- Hacksaw/jigsaw
- Wood braces
- Framing square
- Shims
- Cut-out template (included)

Be sure to use proper tools and always wear personal safety devices for your protection.

Installation

Note: Cut-out template only applies to undermount installation.



Typical undermount installation with recommended 1/4 inch (0.6 cm) reveal.



CAUTION:

Sink needs to allow room for faucet installation. Ensure adequate clearance behind the sink for any faucet and backsplash, as well as full range of motion for faucet spouts and handles.

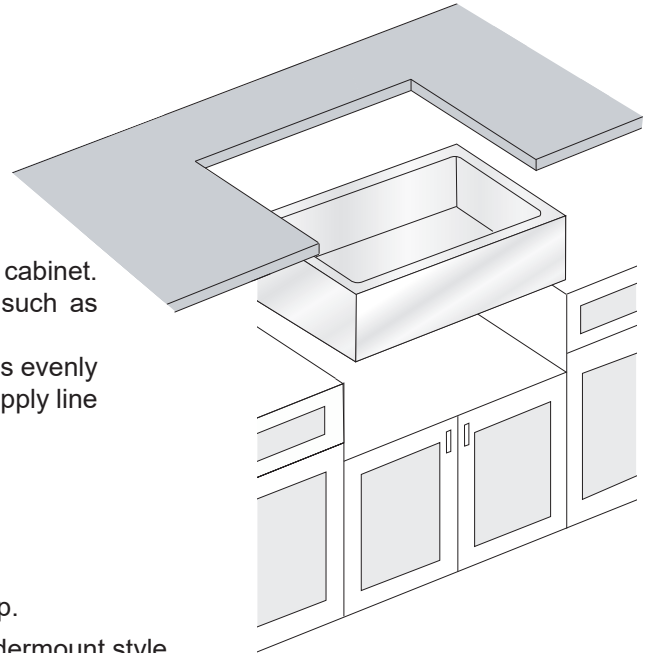
STEP 1

Prepare the Sink Base Cabinet

Farmhouse sinks offer installation options depending on your design.

Farmhouse sinks require custom ordered sink base cabinets with a front cut-out to accommodate a 10 inch (25.4 cm) deep sink.

- Build a plywood platform on a support frame inside of the sink base cabinet. Platform must support the weight of the sink and any attachments such as garbage disposals.
- When the sink is placed onto a platform, make sure the top of the sink is evenly flush against the bottom of the countertop. Allow clearance for water supply line and drains or garbage disposal, as necessary.



STEP 2

Make a Template and Cut-Out

Depending on the installation option, make proper cut-out of the countertop.

- We recommend a 1/4 inch (0.6 cm) reveal on 3 sides when installing undermount style.
- For a flush mount or above counter installation, cut countertop along with outside line of the sink profile.

Front end of Farmhouse sinks are designed to be installed 3/4 inch (1.9 cm) extended out beyond the front end of the countertop. Cut countertop accordingly, using template and actual sink as a guide for installation.

After centering the sink and allowing space for any faucets and backsplashes, use a pencil to outline the sink as your guide for the cut-out, allowing for any reveal before the actual cutting.

STEP 3

Set the Sink

Set the sink on top of the cabinet or into the cabinet front cut-out. Apply sealant if necessary, as a gasket between the sink and cabinet.

STEP 4

Install the Countertop

Carefully clean bottom of countertop and top flange of sink with denatured alcohol. Apply bead of silicone adhesive (not supplied) around the top edge of the sink. Place countertop onto the sink. Remove excess sealant from the lip or any surfaces with a cleaner recommended by manufacturer of adhesive sealant.

Care and Maintenance Instructions

Always:

- Clean everyday by thoroughly rinsing with a mild soap and warm water and wipe dry. Some chemicals such as chlorides may corrode stainless steel, make sure you rinse the surface immediately.
- Rub lightly with a soft cloth in the direction of grain lines on a regular basis for additional preventive cleaning.
- Keep the sink free of any standing water as this can cause a buildup of mineral deposit, which can affect the appearance of your sink.
- Any stubborn stains should be removed by scrubbing in the direction of the grain with a mild abrasive such as Comet.
- Always rinse the sink after using any cleaning agent and wipe dry. Clean any mineral deposits built up over time with a mild solution of vinegar and water followed by a thorough flushing with water. Towel dry after each use to prevent mineral deposits from building up on the surface of the sink.
- Remove any scratches with a Scotch-brite pad and cleaning agent rubbing in the direction of the grain.
NOT RECOMMENDED FOR MIRROR FINISH.

Never:

- Leave water spots, steel cookware, utensils, wet sponges, cloths or cleaning pads in the sink for lengthy periods; iron particles often develop rust spots in the stainless steel surface.
- Use a steel wool or scoring pad as it damages the sink surface and causes discoloration.
- Rub the sink across the stainless steel finish lines.
- Let household cleaning agents or bleach sit in your sink for long period of time as this may ruin the finish of your sink.
- Leave rubber mats, sponges, or cleaning pads in the sink for long period of time as this may ruin the finish of your sink.
- Use any drain cleaning products containing sulfuric acid or hydrochloric acid as this will attack the sink. Silver cleaners can also contain acids that will damage the sink surface.
- Use the inside of the sink as cutting surface.
- Use a steel wool pad to clean your sink.