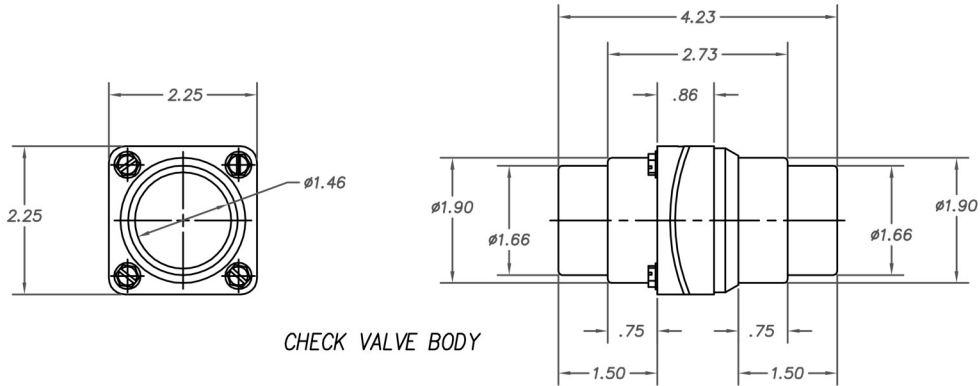


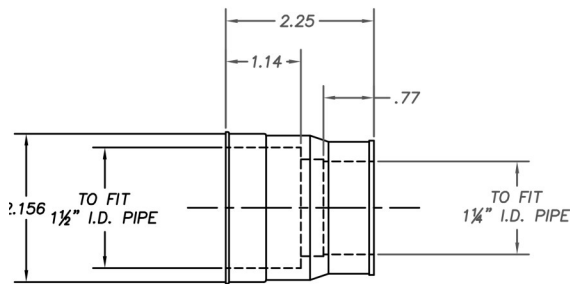


1.25 in. and 1.5 in. ABS In-Line Sump Pump Check Valve

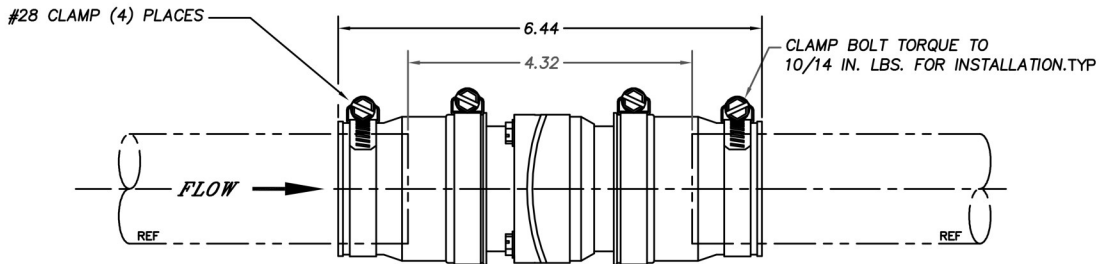
Store SKU #1001091718 | Model THD1020



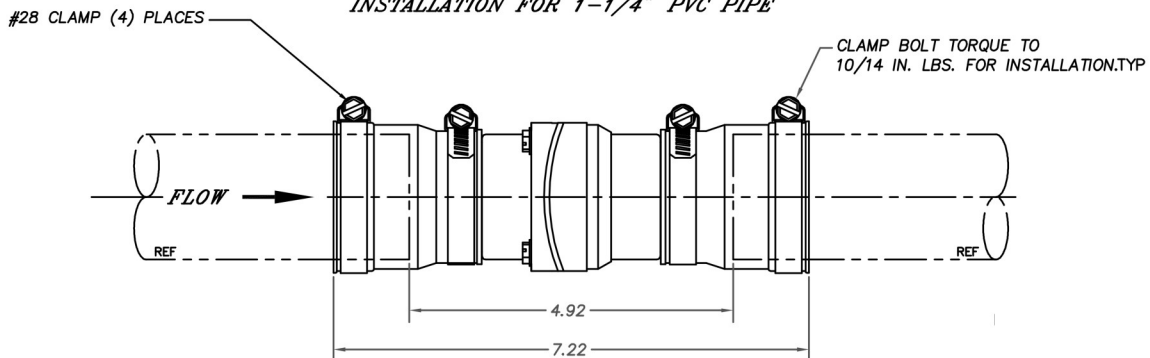
CHECK VALVE BODY



ADAPTOR



INSTALLATION FOR 1-1/4" PVC PIPE



INSTALLATION FOR 1-1/2" PVC PIPE
SEE ENGINEERING PRINT FOR FULL DIMENSIONS



Please contact 1-877-297-6069 for further assistance • HOMEDEPOT.com