



OPERATOR'S MANUAL
MANUEL D'UTILISATION
MANUAL DEL OPERADOR
18 VOLT BRUSHLESS
GRASS TRIMMER
18 V COUPE-HERBE SANS BALAI
18 V RECORTADORA DE CÉSPED SIN
ESCOBILLAS
P20019



TABLE OF CONTENTS

- General Power Tool Safety Warnings 2-3
- Grass Trimmer Safety Warnings 4
- Symbols 5
- Features 6
- Assembly 6-7
- Operation 8-9
- Maintenance 10-11
- Troubleshooting 11
- Parts Ordering/Service..... Back Page

TABLE DES MATIÈRES

- Avertissements générales de sécurité en ce qui a trait aux outils électriques 2-3
- Avertissements de sécurité pour coupe-herbe 4
- Symboles 5
- Caractéristiques 6
- Assemblage 6-7
- Utilisation 8-9
- Entretien 10-11
- Dépannage..... 11
- Commande de pièces / réparation..... Page arrière

ÍNDICE DE CONTENIDO

- Advertencias de seguridad generales para el uso de herramientas eléctricas 2-3
- Advertencias de seguridad de la recortadora de césped..... 4
- Símbolos 5
- Características 6
- Armado 6-7
- Funcionamiento 8-9
- Mantenimiento 10-11
- Corrección de problemas 11
- Pedidos de piezas/ servicio..... Pág. posterior

⚠ WARNING: To reduce the risk of injury, the user must read and understand the operator's manual before using this product.

⚠ AVERTISSEMENT : Pour réduire les risques de blessures, l'utilisateur doit lire et veiller à bien comprendre le manuel d'utilisation avant d'employer ce produit.

⚠ ADVERTENCIA: Para reducir el riesgo de lesiones, el usuario debe leer y comprender el manual del operador antes de usar este producto.

SAVE THIS MANUAL FOR FUTURE REFERENCE

CONSERVER CE MANUEL POUR FUTURE RÉFÉRENCE

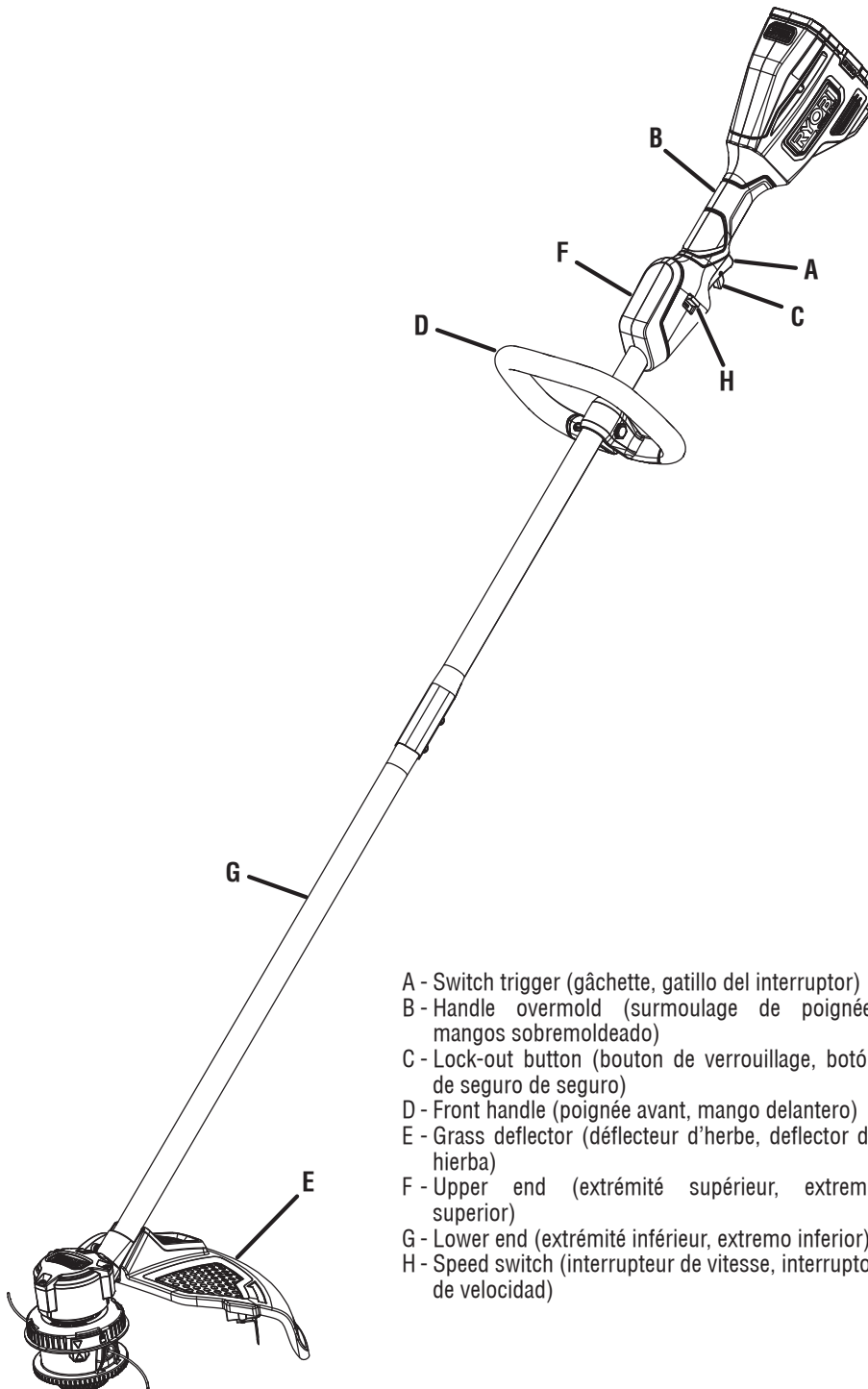
GUARDE ESTE MANUAL PARA FUTURAS CONSULTAS

See this fold-out section for all the figures referenced in the operator's manual.

Voir que cette section d'encart pour toutes les figures a adressé dans le manuel d'utilisation.

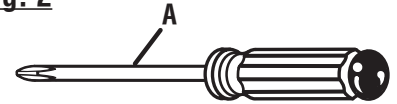
Vea esta sección de la página desplegable para todas las figuras mencionó en el manual del operador.

Fig. 1



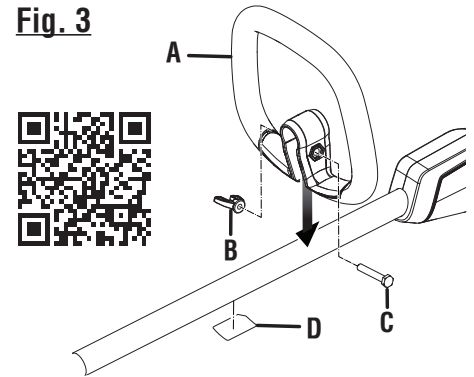
- A - Switch trigger (gâchette, gatillo del interruptor)
- B - Handle overmold (surmoulage de poignée, mangos sobremoldeado)
- C - Lock-out button (bouton de verrouillage, botón de seguro de seguro)
- D - Front handle (poignée avant, mango delantero)
- E - Grass deflector (déflecteur d'herbe, deflector de hierba)
- F - Upper end (extrémité supérieur, extremo superior)
- G - Lower end (extrémité inférieur, extremo inferior)
- H - Speed switch (interrupteur de vitesse, interruptor de velocidad)

Fig. 2



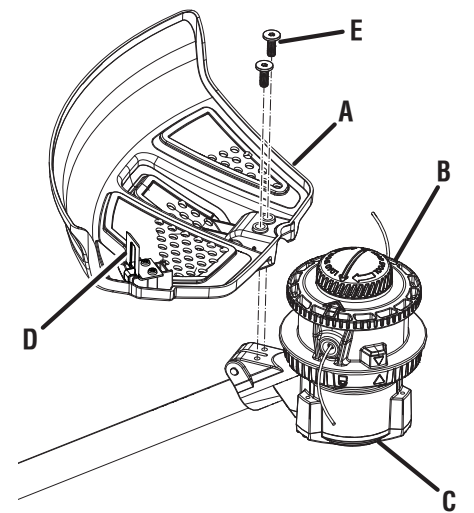
- A - Phillips screwdriver (tournevis cruciforme, destornillador Phillips)

Fig. 3



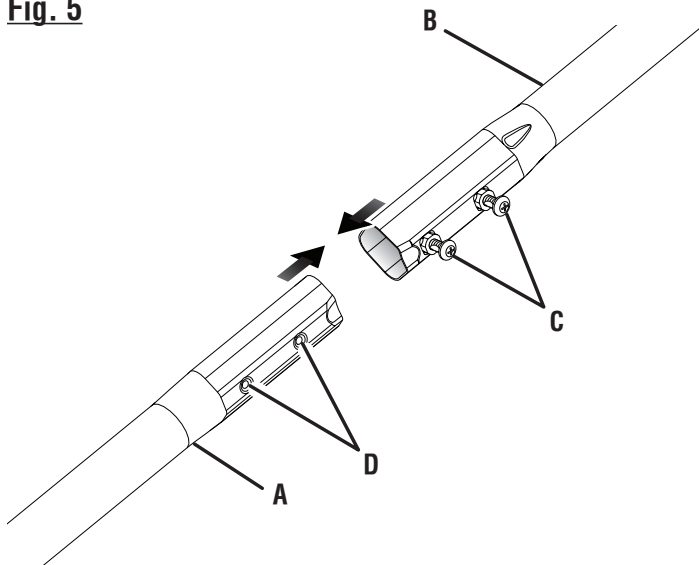
- A - Front handle (poignée avant, mango delantero)
- B - Wing nut (écrou à oreilles, tuerca de mariposa)
- C - Bolt (boulon, perno)
- D - QR code label (étiquette du code QR, etiqueta de código QR)

Fig. 4



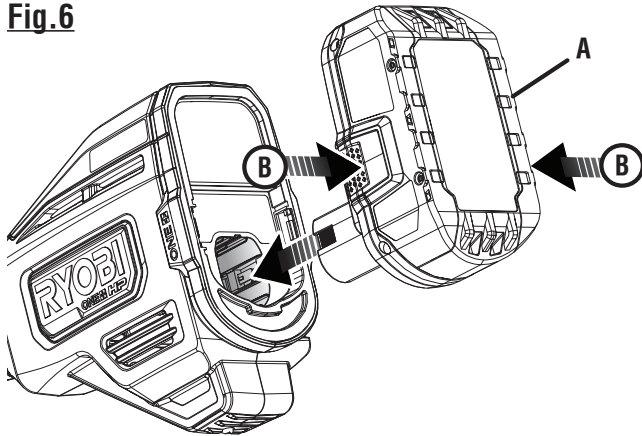
- A - Grass deflector (déflecteur d'herbe, deflector de hierba)
- B - String head (tête de ligne, cabezal del línea)
- C - Motor housing (boîtier du moteur, alojamiento del motor)
- D - Line cut-off blade (lame de sectionnement de ligne, cuchilla de corte del hilo)
- E - Screws (vis, tornillos)

Fig. 5



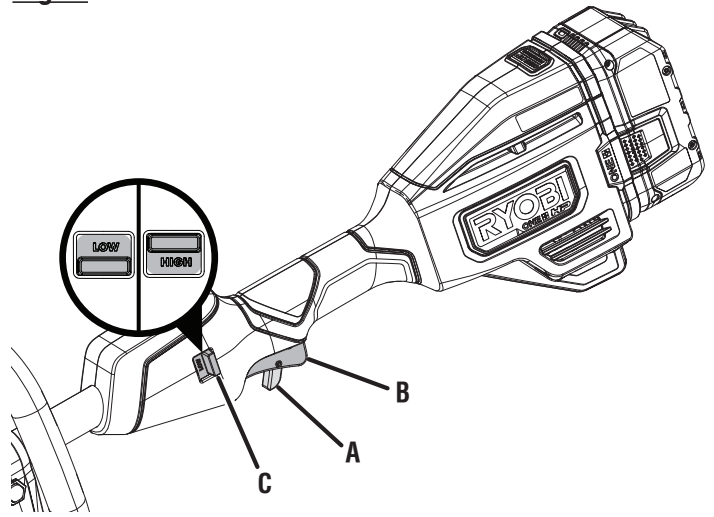
- A - Lower end (extrémité inférieur, extremo inferior)
- B - Upper end (extrémité supérieur, extremo superior)
- C - Phillips head screws (vis à cruciform, tornillos de cabeza Phillips)
- D - Indentations (indentations, muescas)

Fig. 6



- A - Battery pack (bloc-piles, paquete de baterías)
- B - Latch (loquet, pestillo)

Fig. 7



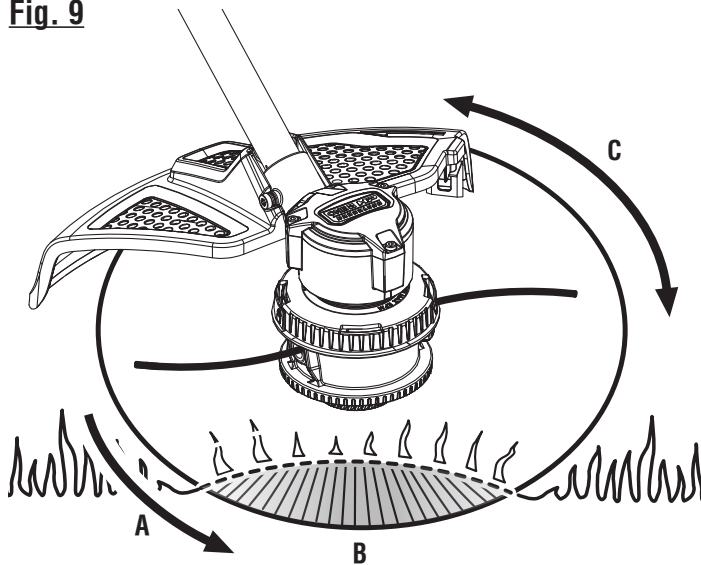
- A - Lock-out button (bouton de verrouillage, botón de seguro de seguro)
- B - Switch trigger (gâchette, gatillo del interruptor)
- C - Speed switch (interrupteur de vitesse, interruptor de velocidad)

Fig. 8

**PROPER TRIMMER OPERATING POSITION
TAILLE-BORDURE POSITION DE TRAVAIL
POSICIÓN CORRECTA PARA EL MANEJO PARA RECORTAR**

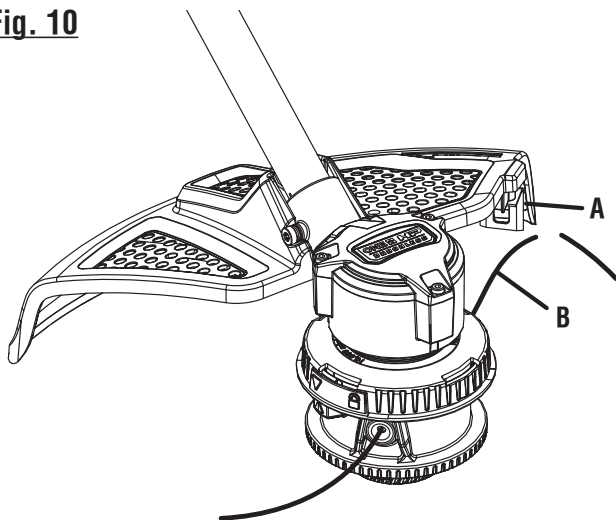


Fig. 9



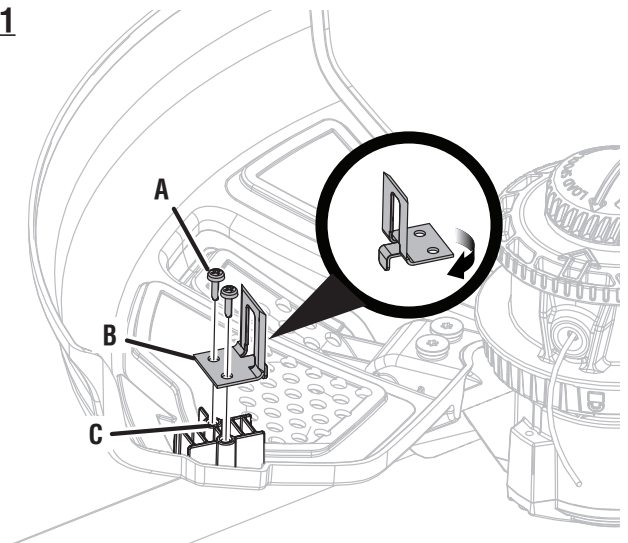
- A - Direction of rotation (sens de rotation, sentido de la rotación)
- B - Best cutting area (d'efficacité, área de corte óptima)
- C - Dangerous cutting area (zone de coup dangereuse, área de corte peligrosa)

Fig. 10



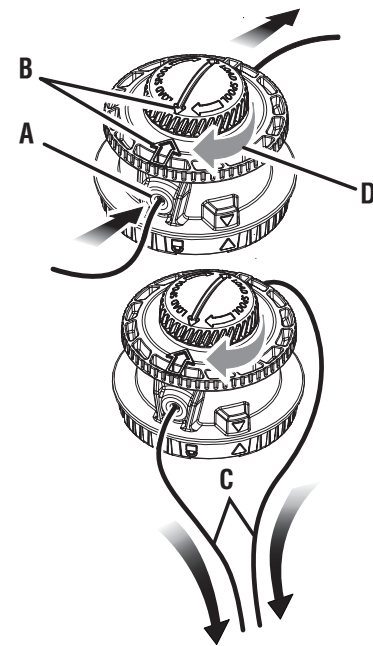
- A - Line cut-off blade (lame coupe-ligne, cuchilla de corte)
- B - Line (ligne, línea)

Fig. 11



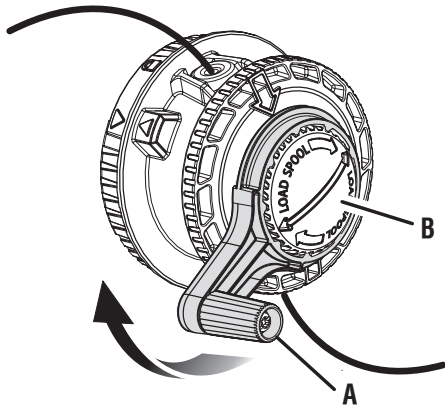
- A - Screws (vis, tornillos)
- B - Line cut-off blade (lame de sectionnement de ligne, cuchilla de corte del hilo)
- C - Screw holes (orifices de las vis, agujeros del tornillo)

Fig. 12



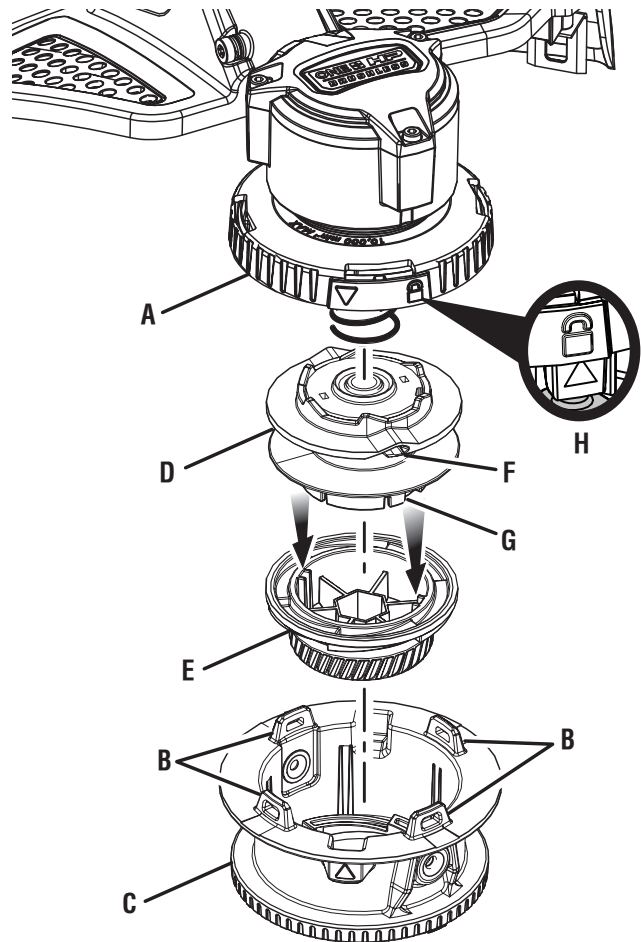
- A - Eyelet (œillet, ojillo)
- B - Arrows (flèches, flechas)
- C - Pull lines (tirer vers l'extérieur, tira del hilo)
- D - Rotate the bump knob (tourner le capuchon du mécanisme de coup dans le sens horaire, gire a la derecha el perilla percusiva)

Fig. 13



- A - SPEED WINDER™ (SPEED WINDER™, SPEED WINDER™)
B - Bump knob (capuchon du mécanisme de coup, perilla percusiva)
-

Fig. 14



- A - Upper string head housing (boîtier supérieure de tête de coupe, alojamiento superior del cabezal de hilo)
B - Tabs (languettes, lengüetas)
C - Lower string head housing (boîtier inférieure de tête de coupe, alojamiento del cabezal de hilo)
D - Spool (bobine, carrete)
E - Bump knob (capuchon du mécanisme de coup, perilla percusiva)
F - Spool slots (fentes de bobine, ranuras de carrete)
G - Knob ribs (côte de bouton, costillas de la perilla)
H - Locked position (position verrouillée, posición trabada)
-

GENERAL POWER TOOL SAFETY WARNINGS

WARNING!

Read all safety warnings, instructions, illustrations and specifications provided with this power tool. Failure to follow all instructions listed below may result in electric shock, fire and/or serious injury.

Save all warnings and instructions for future reference. The term “power tool” in the warnings refers to your mains-operated (corded) power tool or battery-operated (cordless) power tool.

WORK AREA SAFETY

- **Keep work area clean and well lit.** Cluttered or dark areas invite accidents.
- **Do not operate power tools in explosive atmospheres, such as in the presence of flammable liquids, gases or dust.** Power tools create sparks which may ignite the dust or fumes.
- **Keep children and bystanders away while operating a power tool.** Distractions can cause you to lose control.

ELECTRICAL SAFETY

- **Power tool plugs must match the outlet. Never modify the plug in any way. Do not use any adapter plugs with earthed (grounded) power tools.** Unmodified plugs and matching outlets will reduce risk of electric shock.
- **Avoid body contact with earthed or grounded surfaces such as pipes, radiators, ranges and refrigerators.** There is an increased risk of electric shock if your body is earthed or grounded.
- **Do not expose power tools to rain or wet conditions.** Water entering a power tool will increase the risk of electric shock.
- **Do not abuse the cord. Never use the cord for carrying, pulling or unplugging the power tool. Keep cord away from heat, oil, sharp edges or moving parts.** Damaged or entangled cords increase the risk of electric shock.
- **When operating a power tool outdoors, use an extension cord suitable for outdoor use.** Use of a cord suitable for outdoor use reduces the risk of electric shock.
- **If operating a power tool in a damp location is unavoidable, use a ground fault circuit interrupter (GFCI) protected supply.** Use of a GFCI reduces the risk of electric shock.

PERSONAL SAFETY

- **Stay alert, watch what you are doing and use common sense when operating a power tool. Do not use a power tool while you are tired or under the influence of drugs, alcohol or medication.** A moment of inattention while operating power tools may result in serious personal injury.

- **Use personal protective equipment. Always wear eye protection.** Protective equipment such as dust mask, non-skid safety shoes, hard hat, or hearing protection used for appropriate conditions will reduce personal injuries.
- **Prevent unintentional starting. Ensure the switch is in the off-position before connecting to power source and/or battery pack, picking up or carrying the tool.** Carrying power tools with your finger on the switch or energising power tools that have the switch on invites accidents.
- **Remove any adjusting key or wrench before turning the power tool on.** A wrench or a key left attached to a rotating part of the power tool may result in personal injury.
- **Do not overreach. Keep proper footing and balance at all times.** This enables better control of the power tool in unexpected situations.
- **Dress properly. Do not wear loose clothing or jewellery. Keep your hair, clothing and gloves away from moving parts.** Loose clothes, jewellery or long hair can be caught in moving parts.
- **If devices are provided for the connection of dust extraction and collection facilities, ensure these are connected and properly used.** Use of dust collection can reduce dust-related hazards.
- **Do not let familiarity gained from frequent use of tools allow you to become complacent and ignore tool safety principles.** A careless action can cause severe injury within a fraction of a second.
- **Do not use on a ladder or unstable support.** Stable footing on a solid surface enables better control of the power tool in unexpected situations.
- **Wear heavy, long pants, long sleeves, boots, and gloves.** Do not wear loose fitting clothing, short pants, sandals, or go barefoot. Do not wear jewelry of any kind.

POWER TOOL USE AND CARE

- **Do not force the power tool. Use the correct power tool for your application.** The correct power tool will do the job better and safer at the rate for which it was designed.
- **Do not use the power tool if the switch does not turn it on and off.** Any power tool that cannot be controlled with the switch is dangerous and must be repaired.
- **Disconnect the plug from the power source and/or the battery pack from the power tool before making any adjustments, changing accessories, or storing power tools.** Such preventive safety measures reduce the risk of starting the power tool accidentally.
- **Store idle power tools out of the reach of children and do not allow persons unfamiliar with the power tool or these instructions to operate the power tool.** Power tools are dangerous in the hands of untrained users.

GENERAL POWER TOOL SAFETY WARNINGS

- **Maintain power tools. Check for misalignment or binding of moving parts, breakage of parts and any other condition that may affect the power tool's operation. If damaged, have the power tool repaired before use.** Many accidents are caused by poorly maintained power tools.
- **Keep cutting tools sharp and clean.** Properly maintained cutting tools with sharp cutting edges are less likely to bind and are easier to control.
- **Use the power tool, accessories and tool bits etc. in accordance with these instructions, taking into account the working conditions and the work to be performed.** Use of the power tool for operations different from those intended could result in a hazardous situation.
- **Keep handles and grasping surfaces dry, clean and free from oil and grease.** Slippery handles and grasping surfaces do not allow for safe handling and control of the tool in unexpected situations.
- **Under abusive conditions, liquid may be ejected from the battery; avoid contact. If contact accidentally occurs, flush with water. If liquid contacts eyes, additionally seek medical help.** Liquid ejected from the battery may cause irritation or burns.
- **Do not use a battery pack or tool that is damaged or modified.** Damaged or modified batteries may exhibit unpredictable behaviour resulting in fire, explosion or risk of injury.
- **Do not expose a battery pack or tool to fire or excessive temperature.** Exposure to fire or temperature above 265°F may cause explosion.
- Use this product only with batteries and chargers listed in tool/appliance/battery pack/charger correlation supplement 987000-432.
- **Follow all charging instructions and do not charge the battery pack or tool outside the temperature range specified in the instructions.** Charging improperly or at temperatures outside the specified range may damage the battery and increase the risk of fire.

BATTERY TOOL USE AND CARE

- **Recharge only with the charger specified by the manufacturer.** A charger that is suitable for one type of battery pack may create a risk of fire when used with another battery pack.
- **Use power tools only with specifically designated battery packs.** Use of any other battery packs may create a risk of injury and fire.
- **When battery pack is not in use, keep it away from other metal objects, like paper clips, coins, keys, nails, screws or other small metal objects, that can make a connection from one terminal to another.** Shorting the battery terminals together may cause burns or a fire.

SERVICE




- **Have your power tool serviced by a qualified repair person using only identical replacement parts.** This will ensure that the safety of the power tool is maintained.
- **When servicing a power tool, use only identical replacement parts. Follow instructions in the Maintenance section of this manual.** Use of unauthorized parts or failure to follow Maintenance instructions may create a risk of shock or injury.

GRASS TRIMMER SAFETY WARNINGS











- Do not use the machine in bad weather conditions, especially when there is a risk of lightning. This decreases the risk of being struck by lightning.
- Thoroughly inspect the area for wildlife where the machine is to be used. Wildlife may be injured by the machine during operation.
- Thoroughly inspect the area where the machine is to be used and remove all stones, sticks, wires, bones, and other foreign objects. Thrown objects can cause personal injury.
- Before using the machine, always visually inspect to see that the cutter or blade and the cutter or blade assembly are not damaged. Damaged parts increase the risk of injury.
- Follow instructions for changing accessories. Improperly tightened blade securing nuts or bolts may either damage the blade or result in it becoming detached.
- Wear eye, ear, head and hand protection. Adequate protective equipment will reduce personal injury by flying debris or accidental contact with the cutting line or blade.
- While operating the machine, always wear non-slip and protective footwear. Do not operate the machine when barefoot or wearing open sandals. This reduces the chance of injury to the feet from contact with the moving cutters or lines.
- While operating the machine, always wear long trousers. Exposed skin increases the likelihood of injury from thrown objects.
- Keep bystanders away while operating the machine. Thrown debris can result in serious personal injury.
- Always use two hands when operating the machine. Holding the machine with both hands will avoid loss of control.
- Hold the machine by the insulated gripping surfaces only, because the cutting line or blade may contact hidden wiring. Cutting line or blades contacting a “live” wire may make exposed metal parts of the machine “live” and could give the operator an electric shock.
- Always keep proper footing and operate the machine only when standing on the ground. Slippery or unstable surfaces may cause a loss of balance or control of the machine.
- Do not operate the machine on excessively steep slopes. This reduces the risk of loss of control, slipping and falling which may result in personal injury.
- When working on slopes, always be sure of your footing, always work across the face of slopes, never up or down and exercise extreme caution when changing direction. This reduces the risk of loss of control, slipping and falling which may result in personal injury.
- Keep all parts of the body away from the cutter, line or blade when the machine is operating. Before you start the machine, make sure the cutter, line or blade is not contacting anything. A moment of inattention while operating the machine may result in injury to yourself or others.
- When cutting brush or saplings that are under tension, be alert for spring back. When the tension in the wood fibers is released, the brush or sapling may strike the operator and/or throw the machine out of control.
- Use extreme caution when cutting brush and saplings. The slender material may catch the blade and be whipped toward you or pull you off balance.
- Do not operate the machine above waist height. This helps prevent unintended cutter or blade contact and enables better control of the machine in unexpected situations.
- Maintain control of the machine and do not touch cutters, lines or blades and other hazardous moving parts while they are still in motion. This reduces the risk of injury from moving parts.
- Carry the machine with the machine switched off and away from your body. Proper handling of the machine will reduce the likelihood of accidental contact with a moving cutter, line or blade.
- Only use replacement cutters, lines, cutting heads and blades specified by the manufacturer. Incorrect replacement parts may increase the risk of breakage and injury.
- When clearing jammed material or servicing the machine, make sure the switch is off and the battery pack is removed. Unexpected starting of the machine while clearing jammed material or servicing may result in serious personal injury.

SYMBOLS

The following signal words and meanings are intended to explain the levels of risk associated with this product.

SYMBOL	SIGNAL	MEANING
	DANGER:	Indicates a hazardous situation, which, if not avoided, will result in death or serious injury.
	WARNING:	Indicates a hazardous situation, which, if not avoided, could result in death or serious injury.
	CAUTION:	Indicates a hazardous situation, that, if not avoided, may result in minor or moderate injury.
	NOTICE:	(Without Safety Alert Symbol) Indicates information considered important, but not related to a potential injury (e.g. messages relating to property damage).

Some of the following symbols may be used on this product. Please study them and learn their meaning. Proper interpretation of these symbols will allow you to operate the product better and safer.

SYMBOL	NAME	DESIGNATION/EXPLANATION
	Safety Alert	Indicates a potential personal injury hazard.
	Read Operator's Manual	To reduce the risk of injury, user must read and understand operator's manual before using this product.
	Eye Protection	Always wear eye protection with side shields marked to comply with ANSI Z87.1.
	Wet Conditions Alert	Risk of fire and burns. Do not expose battery, battery compartment, or electronic components to rain, water, or liquids. Do not operate on wet ground.
	Keep Bystanders Away	Keep all bystanders at least 50 ft. away.
	Ricochet	Thrown objects can ricochet and result in personal injury or property damage.
	No Blade	Do not install or use any type of blade on a product displaying this symbol.
	Disconnect battery before maintenance	To reduce the risk of injury, user must remove the battery prior to performing service or maintenance on the product.
	Recycle Symbol	This product uses lithium-ion (Li-ion) batteries. Local, state, or federal laws may prohibit disposal of batteries in ordinary trash. Consult your local waste authority for information regarding available recycling and/or disposal options.
	Direct Current	Type or a characteristic of current
n_0	Maximum Speed	Rotational speed, at no load
.../min	Per Minute	Revolutions, strokes, surface speed, orbits etc., per minute
V	Volts	Voltage
Hz	Hertz	Frequency (cycles per second)
min	Minutes	Time

FEATURES

PRODUCT SPECIFICATIONS

Motor.....	18 V DC
Cutting Swath.....	13–15 in.
Line Size.....	0.080 in. twisted or 0.095 in. twisted
Grass Trimmer Weight with Spool and Line.....	7.48 lbs.
Grass Trimmer Weight with Trimmer Blades.....	7.36 lbs.

KNOW YOUR GRASS TRIMMER

See Figure 1.

The safe use of this product requires an understanding of the information on the tool and in this operator's manual as well as a knowledge of the project you are attempting. Before use of this product, familiarize yourself with all operating features and safety rules.

ADJUSTABLE CUTTING DIAMETER

The cutting diameter is adjustable from 13 in. and 15 in. by rotating the line cutoff blade.

BUMP FEED TRIMMER HEAD HOUSING

The bump feed trimmer head housing allows easy line advance during trimmer operation.

GRASS DEFLECTOR

The trimmer includes a grass deflector that helps protect from flying debris.

HANDLE OVERMOLD

Handle overmold provides added user comfort.

LOCK-OUT BUTTON

The lock-out button prevents accidental starting.

SPEED SWITCH

This tool has a speed selector that allows the operator to choose between HI and LOW speeds. Using low speed during operation can help extend battery run time, while using high speed will improve power and performance.

VARIABLE SPEED SWITCH TRIGGER

This tool has a variable speed switch that delivers higher speed with increased trigger pressure. Speed is controlled by the amount of switch trigger depression.

ASSEMBLY

UNPACKING

This product requires assembly.

- Carefully remove the product and any accessories from the box. Make sure that all items listed in the **Packing List** are included.

WARNING:

Do not use this product if any parts on the **Packing List** are already assembled to your product when you unpack it. Parts on this list are not assembled to the product by the manufacturer and require customer installation. Use of a product that may have been improperly assembled could result in serious personal injury.

- Inspect the product carefully to make sure no breakage or damage occurred during shipping.
- Do not discard the packing material until you have carefully inspected and satisfactorily operated the product.

- If any parts are damaged or missing, please call 1-800-525-2579 for assistance.

PACKING LIST

Grass Trimmer
Grass Deflector
Front Handle
SPEED WINDER™
0.080 in. Replacement Bulk Line
Operator's Manual

WARNING:

If any parts are damaged or missing do not operate this product until the parts are replaced. Use of this product with damaged or missing parts could result in serious personal injury.

ASSEMBLY

WARNING:

Do not attempt to modify this product or create accessories not recommended for use with this product. Any such alteration or modification is misuse and could result in a hazardous condition leading to possible serious personal injury.

WARNING:

To prevent accidental starting that could cause serious personal injury, always remove the battery pack from the product when assembling parts.

TOOLS NEEDED

See Figure 2.

The following tool (not included or drawn to scale) is needed for assembly:

- Phillips Screwdriver

ATTACHING THE FRONT HANDLE

See Figure 3.

- Loosen and remove the wing nut and bolt from the handle.
- Install the handle on the rear handle pole in the location indicated by the label.
- Reinstall the wing nut and bolt. Tighten wing nut to secure.

ATTACHING THE GRASS DEFLECTOR

See Figure 4.

WARNING:

The line cut-off blade on the grass deflector is sharp. Avoid contact with the blade. Failure to avoid contact can result in serious personal injury.

- Remove the battery pack.
- Fit the grass deflector into the slots on trimmer head.
- Line up the screw holes in the grass deflector with the holes in the motor housing.
- Install supplied screws and tighten by turning clockwise with a Phillips screwdriver.

ASSEMBLING THE TOOL

See Figure 5.

WARNING:

Never install, remove, or adjust any attachment while the motor is running or with the battery pack installed. Failure to stop the motor or remove the battery pack can result in serious personal injury.

CAUTION:

Be careful when sliding the two ends together to avoid pinching your hands or fingers.

- Remove the battery pack if installed.
- Align the two indentations in the lower end with the screws in the upper end. Insert the lower end into the upper end.
- Push the two sections together until the lower end stops.
- Turn each of the two Phillips screws until securely tightened.

WARNING:

Be certain the ends are locked into place before operating grass trimmer; check it periodically for tightness during use to avoid possible disconnection of ends, which could result in serious personal injury.

WARNING:

This grass trimmer is designed to use only the provided trimmer shaft and string head. It is not capable of using other attachments or cutting heads. Attempting to use other attachments or cutting heads could result in serious personal injury.

OPERATION

WARNING:

Do not allow familiarity with products to make you careless. Remember that a careless fraction of a second is sufficient to inflict serious injury.

WARNING:

Always wear eye protection with side shields marked to comply with ANSI Z87.1, along with hearing protection. Failure to do so could result in objects being thrown into your eyes resulting in possible serious injury.

WARNING:

Never use blades, flailing devices, wire, or rope on this product. Do not use any attachments or accessories not recommended by the manufacturer of this product. The use of attachments or accessories not recommended can result in serious personal injury.

NOTICE:

Before each use, inspect the entire product for damaged, missing, or loose parts such as screws, nuts, bolts, caps, etc. Tighten securely all fasteners and caps and do not operate this product until all missing or damaged parts are replaced. Please contact customer service or a qualified service center for assistance.

INSTALLING/REMOVING BATTERY PACK

See Figure 6.

WARNING:

Always remove battery pack from your tool when you are assembling parts, making adjustments, cleaning, or when not in use. Removing battery pack will prevent accidental starting that could cause serious personal injury.

To install:

- Insert the battery pack into the product as shown.
- Make sure the latches on each side of the battery pack snap into place and that battery pack is secured in the product before beginning operation.

To remove:

- Depress the latches and remove the battery pack.

For complete charging instructions, refer to the Operator's Manuals for your battery pack and charger.

WARNING:

To avoid serious personal injury, always remove the battery pack and keep hands clear of the lock-out button when carrying or transporting the tool.

STARTING/STOPPING THE GRASS TRIMMER

See Figure 7.

To start:

- Select the desired operating speed (HI or LOW).
- Press and hold the trigger lock-out.
- Depress the switch trigger.

To stop:

- Release the switch trigger to stop the grass trimmer.
- Upon release of the switch trigger, the trigger lock-out will automatically reset to the locked position.

OPERATING THE TRIMMER

See Figure 8.

Follow these tips when using the grass trimmer:

- Hold the trimmer with your right hand on the rear handle and your left hand on the front handle.
- Keep a firm grip with both hands while in operation.
- Trimmer should be held at a comfortable position with the rear handle about hip height.
- Cut tall grass from the top down. This will prevent grass from wrapping around the boom housing and string head which may cause damage from overheating.

If grass becomes wrapped around the string head:

- Remove the battery pack.
- Remove the grass.

WARNING:

Always hold the grass trimmer away from the body keeping clearance between the body and the grass trimmer. Any contact with the grass trimmer cutting head while operating can result in serious personal injury.

OPERATION

CUTTING TIPS

See Figure 9.

- Keep the trimmer tilted toward the area being cut; this is the best cutting area.
- The grass trimmer cuts when passing the unit from right to left. This will avoid throwing debris at the operator. Avoid cutting in the dangerous area shown.
- Use the tip of the line to do the cutting; do not force string head into uncut grass.
- Wire and picket fences cause extra line wear, even breakage. Stone and brick walls, curbs, and wood may wear line rapidly.
- Avoid trees and shrubs. Tree bark, wood moldings, siding, and fence posts can easily be damaged by the line.

ADVANCING THE CUTTING LINE ON THE BUMP FEED TRIMMER HEAD

Line advance is controlled by tapping the string head on grass while running motor at full speed.

- Depress the switch trigger completely.
- Tap the bump knob on ground to advance line. The line advances each time the knob is tapped. Do not hold the knob on the ground.

NOTE: The line trimming cut-off blade on the grass deflector will cut the line to the correct length.

NOTE: If the line is worn too short you may not be able to advance the line by tapping it on the ground. If so, remove the battery pack and manually advance the line.

To advance the cutting line manually:

- Remove the battery pack.
- Push the bump knob in while pulling on line(s) to manually advance the line.

ADJUSTING THE LINE CUT-OFF BLADE

See Figures 10 - 11.

This trimmer is equipped with a line cut-off blade on the grass deflector. For best cutting, advance line until it is trimmed to length by the line cut-off blade. Advance line whenever you hear the engine running faster than normal, or when trimming efficiency diminishes. This will maintain best performance and keep line long enough to advance properly.

This trimmer is currently set at the 15 in. cutting swath. To adjust to a cutting swath of 13 in.:

- Remove the battery pack.
- Loosen the blade screw then rotate the line cut-off blade 180°.
- Tighten the blade screw.



WARNING:

The line cut-off blade on the grass deflector is sharp. Use gloves while working with the blade. Direct contact with the blade can result in serious personal injury.

MAINTENANCE

WARNING:

To avoid serious personal injury, always remove the battery pack from the tool when cleaning or performing any maintenance.

WARNING:

Always wear eye protection with side shields marked to comply with ANSI Z87.1, along with hearing protection. Failure to do so could result in objects being thrown into your eyes resulting in possible serious injury.

WARNING:

When servicing, use only identical replacement parts. Use of any other parts can create a hazard or cause product damage.

NOTICE:

Periodically inspect the entire product for damaged, missing, or loose parts such as screws, nuts, bolts, caps, etc. Tighten securely all fasteners and caps and do not operate this product until all missing or damaged parts are replaced. Please contact customer service or a qualified service center for assistance.

GENERAL MAINTENANCE

Avoid using solvents when cleaning plastic parts. Most plastics are susceptible to damage from various types of commercial solvents and may be damaged by their use. Use clean cloths to remove dirt, dust, oil, grease, etc.

WARNING:

Do not at any time let brake fluids, gasoline, petroleum-based products, penetrating oils, etc., come in contact with plastic parts. Chemicals can damage, weaken or destroy plastic which can result in serious personal injury.

LINE REPLACEMENT

See Figures 12 - 13.

Use original manufacturer's replacement line for best performance.

- Remove the battery pack.

When using the bump feed trimmer head:

- Rotate the bump knob clockwise as necessary to align the arrows on the bump knob with the arrows on the string head housing.
- Cut one piece of trimmer line 10 ft. long. Insert the line into the eyelet on the string head housing. Push until the end of the line comes out the other side of the housing.

Pull the line until equal amounts of line appear on both sides of the housing.

NOTE: Line may jam if more than 10 ft. is loaded.

- Either by hand or using the SPEED WINDER™ rotate the bump knob clockwise to wind the line on the spool until approximately 6 in. of line is showing on each side.

NOTE: For best results, after every five to seven revolutions of the SPEED WINDER™, pull both line ends taut for best loading results and to help prevent line from tangling.

- Push the bump knob down while pulling on line(s) to manually advance the line.

CLEARING BUMP FEED TRIMMER HEAD LINE JAM AND/OR REPLACING BUMP KNOB

See Figure 14.

- Remove the battery pack.
- Remove the bump feed trimmer head housing by rotating the lower housing counterclockwise so the arrow on the upper housing aligns with the outside arrow on the bump feed housing.
NOTE: The housing is spring loaded and will self eject when unlocked. It is not necessary to remove the upper string head housing from the drive shaft.
- Push the spool and bump knob through the string head housing and remove the string from the spool.
- If replacing the bump knob, remove the old knob from the spool. Align the knob ribs with the spool slots and place the new bump knob onto the spool. If you are not replacing the bump knob, skip this step.
- Insert the bump knob and spool assembly through the opening in the string head housing.
- Align the arrows on the lower string head housing with the arrows on the upper string head housing.
- Push the housing together and rotate the lower housing clockwise until the arrows on the lower housing are aligned with the lock on the upper housing.
- Install line as described in **Line Replacement**.

CLEANING THE GRASS TRIMMER

- Stop the motor and remove the battery pack.
- Clean dirt and debris from the grass trimmer using a damp cloth with a mild detergent.

NOTICE:

Do not use any strong detergents on the plastic housing or the handle. They can be damaged by certain aromatic oils such as pine and lemon, and by solvents such as kerosene.

MAINTENANCE

STORING THE TRIMMER

- Remove the battery pack from the grass trimmer before storing.
- Clean all foreign material from the trimmer.
- Store it in a place that is inaccessible to children.
- Keep away from corrosive agents such as garden chemicals and de-icing salts.

REPLACEMENT PARTS

Replacement Line:

0.080 in. TwistedAC0580PCL

0.095 in. TwistedAC04149

TROUBLESHOOTING

PROBLEM	POSSIBLE CAUSE	SOLUTION
Motor fails to start when switch trigger is depressed.	Battery is not secure.	To secure the battery pack, make sure the latch on the bottom of the battery pack is snapped into place.
	Battery is not charged.	Charge the battery pack according to the instructions included with your model.
	Battery is hot.	When battery pack reaches cooled temperature, the trimmer will resume operation.
Line will not advance	Line is welded to itself.	Lubricate with silicone spray.
	Not enough line on spool.	Install more line. Refer to Line Replacement earlier in this manual.
	Line is worn too short.	Pull lines while alternately pressing down on and releasing bump knob. Refer to Line Replacement earlier in this manual.
	Line is tangled on spool.	Remove line from spool and rewind. Refer to Line Replacement earlier in this manual.



CALL US FIRST

For any questions about operating or maintaining your product, call the Ryobi Help Line!

Your product has been fully tested prior to shipment to ensure your complete satisfaction.

This product has a Three-year Limited Warranty for personal, family, or household use (90 days for business or commercial use). For warranty details, visit www.ryobitools.com or call (toll free) 1-800-525-2579.

AVERTISSEMENTS GÉNÉRALES DE SÉCURITÉ EN CE QUI A TRAIT AUX OUTILS ÉLECTRIQUES

AVERTISSEMENT !

Lire les avertissements de sécurité, les instructions et les précisions et consulter les illustrations fournis avec cet outil électrique. Le fait de ne pas se conformer à l'ensemble des consignes présentées ci-dessous risque d'entraîner des décharges électriques, un incendie et/ou des blessures graves.

Conserver les avertissements et les instructions à des fins de référence ultérieure. Le terme « outil motorisé », utilisé dans tous les avertissements ci-dessous désigne tout outil fonctionnant sur secteur (câblé) ou sur piles (sans fil).

SÉCURITÉ DU LIEU DE TRAVAIL

- **Garder le lieu de travail propre et bien éclairé.** Les endroits encombrés ou sombres sont propices aux accidents.
- **Ne pas utiliser d'outils électriques dans des atmosphères explosives, par exemple en présence de liquides, gaz ou poussières inflammables.** Les outils électriques produisent des étincelles risquant d'enflammer les poussières ou vapeurs.
- **Garder les enfants et badauds à l'écart pendant l'utilisation d'un outil électrique.** Les distractions peuvent causer une perte de contrôle.

SÉCURITÉ ÉLECTRIQUE

- **Les fiches des outils électriques doivent correspondre à la prise secteur utilisée. Ne jamais modifier la fiche, de quelque façon que ce soit. Ne jamais utiliser d'adaptateurs de fiche avec des outils mis à la terre.** Les fiches et prises non modifiées réduisent le risque de choc électrique.
- **Éviter tout contact du corps avec des surfaces mises à la terre, telles que tuyaux, radiateurs, cuisinières et réfrigérateurs.** Le risque de choc électrique est accru lorsque le corps est mis à la terre.
- **Ne pas exposer les outils électriques à l'eau ou l'humidité.** La pénétration d'eau dans ces outils accroît le risque de choc électrique.
- **Ne pas maltraiter le cordon d'alimentation. Ne jamais utiliser le cordon d'alimentation pour transporter l'outil et ne jamais débrancher ce dernier en tirant sur le cordon. Garder le cordon à l'écart de la chaleur, de l'huile, des objets tranchants et des pièces en mouvement.** Un cordon endommagé ou emmêlé accroît le risque de choc électrique.
- **Pour les travaux à l'extérieur, utiliser un cordon spécialement conçu à cet effet.** Utiliser un cordon conçu pour l'usage extérieur pour réduire les risques de choc électrique.
- **S'il est nécessaire d'utiliser l'outil électrique dans un endroit humide, employer un dispositif interrupteur de défaut à la terre (GFCI).** L'utilisation d'un GFCI réduit le risque de décharge électrique.

SÉCURITÉ PERSONNELLE

- **Rester attentif, prêter attention au travail et faire preuve de bon sens lors de l'utilisation de tout outil électrique. Ne pas utiliser cet outil en état de fatigue ou sous l'influence de l'alcool, de drogues ou de médicaments.** Un moment d'inattention pendant l'utilisation d'un outil électrique peut entraîner des blessures graves.
- **Utiliser l'équipement de sécurité. Toujours porter une protection oculaire.** L'équipement de sécurité, tel qu'un masque filtrant, de chaussures de sécurité, d'un casque ou d'une protection auditive, utilisé dans des conditions appropriées réduira le risque de blessures.
- **Éviter les démarrages accidentels. S'assurer que le commutateur est en position d'arrêt avant de brancher l'outil.** Porter un outil avec le doigt sur son commutateur ou brancher un outil dont le commutateur est en position de marche peut causer un accident.
- **Retirer les clés de réglage avant de mettre l'outil en marche.** Une clé laissée sur une pièce rotative de l'outil peut causer des blessures.
- **Ne pas travailler hors de portée. Toujours se tenir bien campé et en équilibre.** Ceci permettra de mieux contrôler l'outil en cas de situation imprévue.
- **Porter une tenue appropriée. Ne porter ni vêtements amples, ni bijoux. Garder les cheveux, les vêtements et les gants à l'écart des pièces en mouvement.** Les vêtements amples, bijoux et cheveux longs peuvent se prendre dans les pièces en mouvement.
- **Si les outils sont équipés de dispositifs de dépoussiérage, s'assurer qu'ils sont connectés et correctement utilisés.** L'usage de ces dispositifs de dépoussiérage peut réduire les dangers présentés par la poussière.
- **Malgré votre expérience acquise par l'utilisation fréquente des outils, soyez toujours vigilant et respectez les principes de sécurité relatifs aux outils.** Un geste irréfléchi peut causer de graves blessures en une fraction de seconde.
- **Ne pas utiliser l'outil sur une échelle ou un support instable.** Une bonne tenue et un bon équilibre permettent de mieux contrôler l'outil en cas de situation imprévue.
- **Porter des pantalons longs, manches longues, des chaussures de travail et des gants épais.** Ne pas porter de vêtements amples, bijoux, shorts, sandales et ne pas travailler pieds nus. Ne porter aucun bijou.

UTILISATION ET ENTRETIEN DES OUTILS ÉLECTRIQUES

- **Ne pas forcer l'outil. Utiliser l'outil approprié pour l'application.** Un outil approprié exécutera le travail mieux et de façon moins dangereuse s'il est utilisé dans les limites prévues.
- **Ne pas utiliser l'outil si le commutateur ne permet pas de le mettre en marche ou de l'arrêter.** Tout outil qui ne peut pas être contrôlé par son commutateur est dangereux et doit être réparé.

AVERTISSEMENTS GÉNÉRALES DE SÉCURITÉ EN CE QUI A TRAIT AUX OUTILS ÉLECTRIQUES

- **Débrancher l'outil et/ou retirer le bloc-piles avant d'effectuer des réglages, de changer d'accessoire ou de remiser l'outil.** Ces mesures de sécurité préventives réduisent les risques de démarrage accidentel de l'outil.
- **Ranger les outils motorisés hors de la portée des enfants et ne laisser personne n'étant pas familiarisé avec l'outil ou ces instructions utiliser l'outil.** Dans les mains de personnes n'ayant pas reçu des instructions adéquates, les outils sont dangereux.
- **Entretenir les outils motorisés. Vérifier qu'aucune pièce mobile n'est mal alignée ou bloquée, qu'aucune pièce n'est brisée et s'assurer qu'aucun autre problème ne risque d'affecter le bon fonctionnement de l'outil. En cas de dommages faire réparer l'outil avant de l'utiliser de nouveau.** Beaucoup d'accidents sont causés par des outils mal entretenus.
- **Garder les outils bien affûtés et propres.** Des outils correctement entretenus et dont les tranchants sont bien affûtés risquent moins de se bloquer et sont plus faciles à contrôler.
- **Utiliser l'outil, les accessoires et embouts, etc. conformément à ces instructions pour les applications pour lesquelles ils sont conçus, en tenant compte des conditions et du type de travail à exécuter.** L'usage d'un outil motorisé pour des applications pour lesquelles il n'est pas conçu peut être dangereux.
- **Gardez les poignées et les surfaces de prise sèches, propres et exemptes d'huile et de graisse.** Des poignées et des surfaces de prise glissantes empêchent la manipulation et le contrôle sécuritaires de l'outil dans des circonstances imprévues.
- **Ne pas utiliser un bloc-piles ou un outil endommagé ou modifié.** Le bris ou la modification du bloc-piles peut causer un comportement imprévisible et causer un incendie, une explosion ou des blessures.
- **Ne pas exposer le bloc-piles ou l'outil au feu ou à des températures excessives.** Une exposition au feu ou à une température supérieure à 130 °C (265 °F) peut provoquer une explosion.
- Utiliser ce produit seulement avec les piles et les chargeurs indiqués dans le supplément de raccordement pour chargeur/outils/piles/appareil n° 987000-432.
- **Suivre toutes les instructions afférentes à la recharge et ne pas recharger le bloc-piles ou l'appareil hors des températures spécifiées dans les instructions.** Une recharge incorrecte ou hors des températures spécifiées peut endommager la pile et augmenter les risques de feu.

DÉPANNAGE

- **Les réparations doivent être confiées à un technicien qualifié, utilisant exclusivement des pièces identiques à celles d'origine.** Ceci assurera le maintien de la sécurité de l'outil.
- **Utiliser exclusivement des pièces identiques à celles d'origine pour les réparations. Se conformer aux instructions de la section Entretien de ce manuel.** L'usage de pièces non autorisées ou le non-respect des instructions peut présenter des risques de choc électrique ou de blessures.

UTILISATION ET ENTRETIEN DE LA PILE




- **Ne recharger qu'avec l'appareil spécifié par le fabricant.** Un chargeur approprié pour un type de pile peut créer un risque d'incendie s'il est utilisé avec un autre type de pile.
- **Utiliser exclusivement le bloc-pile spécifiquement indiqué pour l'outil.** L'usage de tout autre bloc peut créer un risque de blessures et d'incendie.
- **Lorsque le bloc-piles n'est pas en usage, le garder à l'écart d'articles tels qu'attaches trombones, pièces de monnaie, clous, vis ou autres petits objets métalliques risquant d'établir le contact entre les deux bornes.** La mise en court-circuit des bornes de piles peut causer des étincelles, des brûlures ou un incendie.
- **En cas d'usage abusif, du liquide peut s'échapper des piles. Éviter tout contact avec ce liquide. En cas de contact accidentel, rincer immédiatement les parties atteintes avec de l'eau. En cas d'éclaboussure dans les yeux consulter un médecin.** Le liquide s'échappant des piles peut causer des irritations ou des brûlures.

AVERTISSEMENTS DE SÉCURITÉ POUR COUPE-HERBE





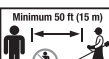





- Ne pas utiliser la machine dans de mauvaises conditions météorologiques, surtout lorsqu'il y a un risque de foudre. Ceci évitera le risque d'être frappé par la foudre.
- Inspecter soigneusement la zone pour déterminer si un animal se trouve où la machine doit être utilisée. La faune peut être blessée par la machine pendant son fonctionnement.
- Inspecter soigneusement la zone où la machine doit être utilisée, et retirer tous les pierres, les bâtons, les fils, les os et autres objets étrangers. Les objets projetés peuvent provoquer des blessures.
- Avant d'utiliser la machine, toujours inspecter visuellement pour vous assurer que la ligne de coupe ou la lame et l'ensemble de ligne ou de lame ne sont pas endommagés. Les pièces endommagées augmentent le risque de blessure.
- Suivre les instructions pour changer les accessoires. Les écrous ou les boulons retenant la lame mal serrés peuvent endommager la lame ou lui permettre de se détacher.
- Porter une protection pour les yeux, les oreilles et les mains. Un équipement de protection adéquat réduira les blessures causées par des débris volants ou un contact accidentel avec la ligne de coupe ou la lame.
- Lors de l'utilisation de la machine, toujours porter des chaussures antidérapantes et protectrices. Ne pas utiliser la machine pieds nus ou avec des sandales ouvertes. Cela réduit les risques de blessures aux pieds en cas de contact avec les couteaux ou les lignes en mouvement.
- Lors de l'utilisation de la machine, toujours porter un pantalon. La peau exposée augmente la probabilité de blessures causées par des objets projetés.
- Éloigner les personnes présentes lors de l'utilisation de la machine. Les débris projetés peuvent entraîner des blessures graves.
- Toujours utiliser les deux mains lors de l'utilisation de la machine. Tenir la machine à deux mains pour éviter toute perte de contrôle.
- Tenir le machine par les surfaces de préhension isolées uniquement, car la ligne de coupe ou la lame peuvent entrer en contact avec des fils cachés. La ligne de coupe ou les lames entrant en contact avec un fil sous tension peuvent rendre « sous tension » les parties métalliques exposées de la machine et électrocuter l'opérateur.
- Pise siempre con estabilidad y use la máquina solamente parado en el suelo. Les surfaces glissantes ou instables peuvent entraîner une perte d'équilibre ou de contrôle de la machine.
- Ne pas utiliser la machine sur des pentes trop raides. Cela réduit le risque de perte de contrôle, de glissement et de chute pouvant entraîner des blessures.
- Lorsqu'on travaille sur des pentes, toujours s'assurer de sa position, toujours travailler à l'horizontale sur la face des pentes, pas en la montant et en la descendant, et être extrêmement prudent lors du changement de direction. Cela réduit le risque de perte de contrôle, de glissement et de chute pouvant entraîner des blessures.
- Garder toutes les parties du corps éloignées de la ligne de coupe ou de la lame lorsque la machine fonctionne. Avant de démarrer la machine, s'assurer que la ligne de coupe ou la lame n'entre en contact avec rien. Un moment d'inattention lors de l'utilisation de la machine peut entraîner des blessures à vous-même ou à autrui.
- Lorsqu'on coupe des broussailles ou de jeunes arbres qui sont sous tension, faire attention au rebond. Lorsque la tension dans les fibres de bois est relâchée, la broussaille ou les jeunes arbres peuvent frapper l'opérateur ou faire perdre le contrôle sur la machine.
- Être extrêmement prudent lors de la coupe des broussailles et des jeunes arbres. Le matériau mince peut attraper la lame et être fouetté vers vous ou vous déséquilibrer.
- Ne pas utiliser la machine au-dessus de la taille. Cela permet d'éviter tout contact involontaire de la ligne de coupe ou de la lame et permet un meilleur contrôle de la machine dans des situations inattendues.
- Garder le contrôle de la machine et ne pas toucher les couteaux, les lignes ou les lames et autres pièces mobiles dangereuses lorsqu'elles sont en mouvement. Cela réduit le risque de blessure causée par les pièces mobiles.
- Transporter la machine arrêtée loin de votre corps. Une manipulation correcte de la machine réduira le risque de contact accidentel avec un couteau, une ligne ou une lame en mouvement.
- Utiliser uniquement des lignes de coupe, des têtes de coupe et des lames de rechange indiquées par le fabricant. Des pièces de rechange incorrectes peuvent augmenter le risque de bris et de blessure.
- Lorsqu'on dégage un matériau coincé ou qu'on effectue l'entretien de la machine, s'assurer que l'interrupteur est éteint et que la pile est retirée. Un démarrage inattendu de la machine lors de l'élimination d'un blocage ou d'un entretien peut entraîner des blessures graves.

SYMBOLES

Les termes de mise en garde suivants et leur signification ont pour but d'expliquer le degré de risques associé à l'utilisation de ce produit.

SYMBOLE	SIGNAL	SIGNIFICATION
	DANGER :	Indique une situation dangereuse qui, si elle n'est pas évitée, aura pour conséquences des blessures graves ou mortelles.
	AVERTISSEMENT :	Indique une situation dangereuse qui, si elle n'est pas évitée, pourrait entraîner des blessures graves ou mortelles.
	ATTENTION :	Indique une situation dangereuse qui, si elle n'est pas évitée, pourrait entraîner des blessures légères ou de gravité modérée.
	AVIS :	(Sans symbole d'alerte de sécurité) Indique une information importante ne concernant pas un risque de blessure comme une situation pouvant occasionner des dommages matériels.

Certains des symboles ci-dessous peuvent être utilisés sur produit. Veiller à les étudier et à apprendre leur signification. Une interprétation correcte de ces symboles permettra d'utiliser produit plus efficacement et de réduire les risques.

SYMBOLE	NOM	DÉSIGNATION/EXPLICATION
	Symbole d'alerte de sécurité	Indique un risque de blessure potentiel.
	Lire manuel d'utilisation	Pour réduire les risques de blessures, l'utilisateur doit lire et veiller à bien comprendre le manuel d'utilisation avant d'utiliser ce produit.
	Protection oculaire	Toujours porter une protection oculaire avec écrans latéraux certifiée conforme à la norme ANSI Z87.1.
	Avertissement concernant l'humidité	Risque d'incendie et de brûlures. Ne pas exposer la pile, le compartiment de la pile, ou les composants électroniques à la pluie, l'eau ou d'autres liquides. Ne pas opérer sur un sol humide.
	Ne laisser personne s'approcher	Garder les badauds à une distance de 15 m (50 pi) minimum.
	Danger de ricochet	Ne pas utiliser le coupe-bordures sans le protecteur. Rester éloigné de la tête de coupe rotative.
	Ne pas utiliser de lame	Ne jamais utiliser une lame quelconque sur un outil portant ce symbole.
	Débrancher la pile avant l'entretien	Pour réduire les risques de blessures, l'utilisateur doit enlever la pile avant d'effectuer une réparation ou un entretien du produit.
	Symbole de recyclage	Ce produit utilise les piles de lithium-ion (Li-ion). Les réglementations locales ou gouvernementales peuvent interdire de jeter les piles dans les ordures ménagères. Consulter les autorités locales compétentes pour les options de recyclage et/ou l'élimination.
	Courant continu	Type ou caractéristique du courant
n_0	Vitesse à vide	Vitesse de rotation à vide
.../min	Par minute	Tours, coups, vitesse périphérique, orbites, etc., par minute
V	Volts	Tension
Hz	Hertz	Fréquence (cycles par seconde)
min	Minutes	Temps

CARACTÉRISTIQUES

FICHE TECHNIQUE

Moteur	18 V C.C.
Largeur de coupe	330,2 mm et 381 mm (13 et 15 po)
Diamètre du fil	fil torsadé de 2,0 mm (0,080 po) ou fil torsadé de 2,29 mm (0,095 po)
Poids de la coupe-herbe avec bobine et ligne.....	3,39 kg (7,48 lbs)
Poids de la coupe-herbe avec lame.....	3,34 kg (7,36 lbs)

VEILLER À BIEN CONNAÎTRE LA COUPE-HERBE

Voir la figure 1.

L'utilisation sûre de ce produit exige une compréhension des renseignements figurant sur l'produit et contenus dans le manuel d'utilisation, ainsi qu'une bonne connaissance du projet entrepris. Avant d'utiliser ce produit, se familiariser avec toutes ses caractéristiques et règles de sécurité.

DIAMÈTRE DE COUPE RÉGLABLE

Les diamètres de coupe de 330,2 et 381 mm (13 po et 15 po) se règlent en tournant la lame de sectionnement du fil.

BOÎTIER DE TÊTE À AVANCE PAR COUPS

L'ensemble de tête de coupe facilite l'avancement du fil lors de l'utilisation de la débroussailleuse.

DÉFLECTEUR D'HERBE

La tondeuse est équipée d'un déflecteur d'herbe qui protège l'opérateur des débris projetés.

SURMOULAGE POIGNÉE

Le surmoulage poignée procure un confort d'utilisation plus grand.

BOUTON DE VERROUILLAGE

Le bouton de verrouillage prévient les démarrages accidentels.

INTERRUPTEUR DE VITESSE

Cet outil est équipé d'un sélecteur de vitesse permettant à l'opérateur de choisir entre une vitesse élevée ou basse. Une vitesse basse lors de l'opération peut aider à prolonger la durée de vie de la pile alors que la vitesse élevée améliorera la puissance et la performance.

GÂCHETTE DE COMMANDE DE VITESSE VARIABLE

Cet outil est doté d'une gâchette de commande de vitesse sensible à la pression. La vitesse est contrôlée par la pression exercée sur la gâchette.

ASSEMBLAGE

DÉBALLAGE

Ce produit nécessite un assemblage.

- Avec précaution, sortir l'produit et les accessoires de la boîte. S'assurer que toutes les pièces figurant sur la **Liste de contrôle d'expédition** sont incluses.

AVERTISSEMENT :

Ne pas utiliser le produit si, en le déballant, vous constatez que des éléments figurant dans la **Liste de contrôle d'expédition** sont déjà assemblés. Certaines pièces figurant sur cette liste n'ont pas été assemblées par le fabricant et exigent une installation. Le fait d'utiliser un produit qui a été assemblé de façon inadéquate peut entraîner des blessures.

- Examiner soigneusement l'produit pour s'assurer que rien n'a été brisé ou endommagé en cours de transport.
- Ne pas jeter les matériaux d'emballage avant d'avoir soigneusement examiné l'produit et avoir vérifié qu'il fonctionne correctement.
- Si des pièces manquent ou sont endommagées, appeler le 1-800-525-2579.

LISTE DE CONTRÔLE D'EXPÉDITION

Coupe-herbe
Déflecteur d'herbe
Poignée avant
SPEED WINDER™
Fil de rechange de 2,03 mm (0,080 po)
Manuel d'utilisation

AVERTISSEMENT :

Si des pièces manquent ou sont endommagées, ne pas utiliser cet produit avant qu'elles aient été remplacées. Le non-respect de cet avertissement pourrait entraîner des blessures graves.

ASSEMBLAGE

AVERTISSEMENT :

Ne pas essayer de modifier cet produit ou de créer des accessoires non recommandés pour l'produit. De telles altérations ou modifications sont considérées comme un usage abusif et peuvent créer des conditions dangereuses, risquant d'entraîner des blessures graves.

AVERTISSEMENT :

Toujours retirer le bloc-piles du produit ou le débrancher de l'alimentation électrique lors de l'assemblage des pièces pour prévenir le démarrage accidentel pouvant causer des blessures graves.

OUTILS NÉCESSAIRES

Voir la figure 2.

L'outil suivant (non inclus ou dessiné pour escalader) est nécessaire pour effectuer l'assemblage :

- Tournevis phillips

INSTALLATION DE LA POIGNÉE AVANT

Voir la figure 3.

- Desserrer et retirer le boulon et écrou à oreilles de la poignée.
- Installer la poignée sur l'arbre de la poignée arrière dans l'espace indiqué sur la figure.
- Réinstaller le boulon et écrou à oreilles. Serrer l'écrou à oreilles de manière à l'emplacement ndiqué par l'étiquette.

FIXATION DU DÉFLECTEUR D'HERBE

Voir le figure 4.

AVERTISSEMENT :

La lame coupe ligne du déflecteur est tranchante. Éviter de la toucher. Le contact avec la lame peut causer des blessures graves.

- Retirer le bloc de piles.
- Adapter le déflecteur d'herbe dans les fentes de la tête de la tondeuse.
- Aligner les trous du déflecteur d'herbe avec le trous central de la boîte du moteur.
- Installer la vis fournie et la serrer en tournant dans le sens horaire avec un tournevis cruciforme.

ENSEMBLE L'OUTIL

Voir la figure 5.

AVERTISSEMENT :

Ne jamais installer, retrait ou ajuster un accessoire lorsque le moteur tourne ou avec le bloc-piles installée. Pour éviter des blessures graves, arrêter le moteur ou enlever le bloc-piles.

ATTENTION :

Soyez prudent lorsque vous glissez les deux extrémités ensemble pour éviter de vous pincer les mains ou les doigts.

- Si est installé, retirer le bloc de piles.
- Alignez les deux indentations sur le extrémité inférieur avec les vis situées sur le extrémité supérieur. Insérez le extrémité inférieur dans le extrémité supérieur.
- Poussez les deux sections ensemble jusqu'à ce que le extrémité inférieur soit appuyé.
- Tournez les deux vis cruciform jusqu'à ce qu'elle soient serrées fermement.

AVERTISSEMENT :

Assurez-vous que les extrémités sont verrouillés en place avant de faire fonctionner le coupe-herbe; vérifiez-le périodiquement pour éviter le débranchement des extrémités, ce qui pourrait causer des blessures corporelles graves.

AVERTISSEMENT :

Ce coupe-herbe est conçu pour utiliser seulement l'arbre et le bloc moteur fournis. Il ne peut recevoir d'autres types d'accessoires ou de têtes de coupe. Tenter d'utiliser d'autres accessoires ou têtes de coupe pourrait causer des blessures corporelles graves.

UTILISATION

AVERTISSEMENT :

Ne pas laisser la familiarité avec l'produit faire oublier la prudence. Ne pas oublier qu'une fraction de seconde d'inattention peut entraîner des blessures graves.

AVERTISSEMENT :

Toujours porter une protection oculaire avec écrans latéraux certifiée conforme à la norme ANSI Z87.1 ainsi qu'une protection auditive. Si cette précaution n'est pas prise, des objets peuvent être projetés dans les yeux et causer des lésions graves.

AVERTISSEMENT :

Ne jamais utiliser de lames ou de dispositifs à fléau, fil et cordes sur ce produit. Ne pas utiliser d'outils ou accessoires non recommandés par le fabricant pour cet produit. L'utilisation de pièces et accessoires non recommandés peut entraîner des blessures graves.

AVIS :

Avant chaque utilisation, inspecter au complet le produit afin de s'assurer qu'aucune pièce (vis, écrous, boulons, chapeaux, etc.) n'est endommagée, manquante ou desserrée. Serrer solidement toutes les pièces de fixation et les chapeaux et ne pas utiliser le produit tant que toutes les pièces manquantes ou endommagées n'ont pas été remplacées. Pour obtenir de l'aide, veuillez communiquer avec le service à la clientèle ou un centre de réparations qualifié.

RETRAIT/INSTALLATION DU BLOC-PILES

Voir la figure 6.

AVERTISSEMENT :

Toujours retirer la pile de l'outil au moment d'assembler des pièces, d'effectuer des réglages et de procéder au nettoyage, ou lorsque l'outil n'est pas utilisé. Le fait de retirer la pile permet d'empêcher un démarrage accidentel pouvant entraîner des blessures graves.

Installation :

- Insérer la pile dans l'outil comme illustré.
- S'assurer que les loquets de chaque côté de la pile s'enclenchent en place et que la pile est bien fixée à l'outil avant de mettre l'outil en marche.

Retrait :

- Relâcher les loquets et retirer le bloc-piles.

Pour prendre connaissance des consignes de chargement, consulter les manuels d'utilisation des piles et des chargeurs.

AVERTISSEMENT :

Pour éviter des blessures graves, toujours retirer le bloc-piles et tenir à distance de mains le bouton de verrouillage en portant l'outil.

MISE EN MARCHÉ ET ARRÊT DU COUPE-HERBE

Voir la figure 7.

Pour démarrer :

- Choisir la vitesse de fonctionnement désirée (ÉLEVÉE ou BASSE [HI ou LOW]).
- Maintenir le bouton de gâchette avec verrou.
- Appuyer sur la gâchette.

Pour arrêter :

- Pour arrêter le coupe-herbe, relâcher la gâchette.
- Lorsque la gâchette est relâchée, le coupe-herbe avec verrou se remet automatiquement en position verrouillée.

UTILISATION DU COUPE-HERBE

Voir la figure 8.

Suivre ces conseils lors de l'utilisation de la coupe-herbe :

- Tenir la coupe-herbe avec la main droite sur la poignée arrière et la main gauche sur la poignée avant.
- Garder une prise ferme sur les deux poignées pendant le fonctionnement.
- Maintenir le coupe-herbe dans une position confortable, la poignée arrière à peu près à hauteur de la taille.
- Couper les herbes hautes de haut en bas. Ceci empêchera l'herbe de s'enrouler sur le perche et la tête de coupe, ce qui pourrait causer des dommages dus à une surchauffe.

Si l'herbe s'enroule autour de la tête de coupe :

- Retirer le bloc-piles.
- Éliminer l'herbe.

UTILISATION

AVERTISSEMENT :

Toujours tenir le coupe-herbe distance de soi en maintenant un périmètre de sécurité entre le corps et la coupe-herbe. Tout contact avec la tête de coupe de la coupe-herbe en cours d'utilisation peut causer des blessures graves.

CONSEILS

Voir la figure 9.

- Pour une efficacité maximum, garder la coupe-herbe inclinée vers la zone de coupe.
- La coupe-herbe coupe lors du passage de l'unité de droite à gauche. Ceci évite que les débris soient projetés en direction de l'opérateur. Éviter de couper dans la zone dangereuse illustrée.
- Couper avec l'extrémité du ligne ; ne pas forcer la tête de coupe dans l'herbe non coupée.
- Les palissades en métal et en bois accélèrent l'usure de ligne et peuvent le casser. Les murs en pierre et brique, trottoirs et pièces de bois peuvent accélérer l'usure de ligne.
- Contourner les arbres et buissons. L'écorce des arbres, les moulures en bois, le lambrisage et les piquets de palissades peuvent être endommagés par la ligne.

AVANCE DE LA LIGNE DE COUPE SUR LA TÊTE À AVANCE PAR COUPS

L'avance de la ligne est obtenue en tapant la tête de coupe sur le gazon, le moteur tournant à plein régime.

- Appuyer complètement sur la gâchette
- Taper le capuchon du mécanisme de coup sur le sol pour faire avancer la ligne. La ligne avance chaque fois que la tête de coupe est frappée sur le sol. Ne pas maintenir le bouton contre le sol.

NOTE : La lame du déflecteur d'herbe coupe la ligne à la longueur correcte.

NOTE : Si la ligne devient trop courte, il peut ne pas être possible de la faire avancer en tapant la tête de coupe sur le sol. Dans ce cas, retirer le bloc-piles et tirer la ligne à la main.

Avance manuelle de la ligne de coupe :

- Retirer le bloc-piles.
- Appuyer sur le capuchon du mécanisme de coup et tirer sur la ou les lignes pour sortir la longueur désirée.

AJUSTER DE LE LAME DE SECTIONNEMENT DE LIGNE

Voir les figures 10 et 11.

Cette tondeuse est équipée d'une lame coupe-ligne montée sur le protecteur. Pour obtenir une coupe optimale, faire progresser le fil jusqu'à ce qu'il soit coupé à la longueur correcte par la lame coupe-ligne. Le fil doit être avancé chaque fois que le moteur tourne à une vitesse supérieure à la normale ou lorsque la coupe devient moins efficace. Ceci permet de maintenir une efficacité maximum et de maintenir une longueur de fil suffisante pour avancer correctement.

Cette coupe-herbe est actuellement réglée au 381 mm (15 po) largeur de coupe. Pour ajuster à une largeur de coupe de 330,2 mm (13 po) :

- Retirer le bloc de piles.
- Desserrer la tornillo de la hojatourne alors la lame 180°.
- Serrer la tornillo de la hoja.

AVERTISSEMENT :

La lame coupe ligne du déflecteur est tranchante. Porter des gants pour travailler avec la lame. Un contact direct avec la lame peut causer des blessures corporelles graves.

ENTRETIEN

AVERTISSEMENT :

Pour empêcher un démarrage accidentel pouvant entraîner des blessures graves, toujours retirer le piles de l'produit avant tout nettoyage ou entretien.

AVERTISSEMENT :

Toujours porter une protection oculaire avec écrans latéraux certifiée conforme à la norme ANSI Z87.1 ainsi qu'un protection auditive. Si cette précaution n'est pas prise, des objets peuvent être projetés dans les yeux et causer des lésions graves.

AVERTISSEMENT :

Utiliser exclusivement des pièces d'origine pour les réparations. L'usage de toute autre pièce pourrait créer une situation dangereuse ou endommager l'produit.

AVIS :

Inspecter périodiquement au complet le produit afin de s'assurer qu'aucune pièce (vis, écrous, boulons, chapeaux, etc.) n'est endommagée, manquante ou desserrée. Serrer solidement toutes les pièces de fixation et les chapeaux et ne pas utiliser le produit tant que toutes les pièces manquantes ou endommagées n'ont pas été remplacées. Pour obtenir de l'aide, veuillez communiquer avec le Service à la clientèle ou un centre de réparations qualifié.

ENTRETIEN GÉNÉRAL

Éviter d'utiliser des solvants pour le nettoyage des pièces en plastique. La plupart des matières plastiques peuvent être endommagées par divers types de solvants du commerce. Utiliser un chiffon propre pour éliminer la saleté, la poussière, l'huile, la graisse, etc.

AVERTISSEMENT :

Ne jamais laisser de liquides tels que le fluide de freins, l'essence, les produits à base de pétrole, les huiles pénétrantes, etc., entrer en contact avec les pièces en plastique. Les produits chimiques peuvent endommager, affaiblir ou détruire le plastique, ce qui peut entraîner des blessures graves.

REMPACEMENT DE LIGNE

Voir les figures 12 à 13.

Utiliser du fil de remplacement d'origine pour obtenir un rendement optimal.

- Retirer le bloc-piles.

Lors de l'utilisation de la tête à avance par coups :

- Au besoin, tourner la capuchon du mécanisme de coup dans le sens horaire afin d'aligner les flèches de la capuchon du

mécanisme de coup avec les flèches du logement de la tête de coupe.

- Couper un morceau d'une longueur de 3,04 m (10 pi) de ligne. Insérer le ligne dans l'oeillet du boîtier de tête de coupe. Pousser jusqu'à ce que l'extrémité du ligne sorte de l'autre côté de la tête de coupe. Tirer sur le ligne de l'autre côté de façon à laisser deux segments de ligne égaux de chaque côté de la boîtier de tête de coupe.

NOTE : Le ligne risque de coincer si la quantité enroulée est supérieure à 3,04 m (10 pi).

- Manuellement ou avec la SPEED WINDER™, tourner la capuchon du mécanisme de coup dans le sens horaire pour enrouler le ligne autour de celle-ci jusqu'à ce qu'environ 152,4 mm (6 po) de ligne apparaisse de chaque côté de la bobine.

NOTE : Pour obtenir des résultats optimaux, tirer et tendre les deux extrémités du ligne chaque fois que le rembobineur a effectué sept tours afin d'améliorer les résultats d'enroulement et aider à prévenir l'enchevêtrement du ligne.

- Appuyer sur la retenue de bobine tout en tirant sur la ou les ligne(s) pour les avancer manuellement.

DÉCOINCEMENT DU LIGNE ET/OU REMPLACEMENT DU CAPUCHON DU MÉCANISME DE COUP DE BOÎTIER DE TÊTE À AVANCE PAR COUPS

Voir la figure 14.

- Retirer le bloc-piles.
- Enlever le boîtier de tête à avance par coups en tournant le boîtier inférieur dans le sens antihoraire, de sorte à aligner les flèches du boîtier supérieur sur les flèches extérieures du boîtier de tête à avance par coups.

NOTE : Le boîtier est à ressorts et s'éjecte automatiquement quand il est déverrouillé. Il n'est pas nécessaire de retirer le boîtier supérieur de tête de coupe hors de l'arbre d'entraînement.

- Tirer la bobine et le capuchon du mécanisme de coup par le logement de la tête de ligne et retirer le ligne de la bobine.
- Si l'on remplace le couvercle du mécanisme de coup, retirer le capuchon usagé de la bobine. Aligner les nervures du capuchon avec les fentes de la bobine puis installer le nouveau capuchon du mécanisme de coup sur la bobine. Passer cette étape si le capuchon du mécanisme de coup n'est pas remplacé.
- Insérer le capuchon du mécanisme de coup et la bobine dans l'ouverture du logement de la tête de ligne.
- Aligner les flèches du logement inférieur de la tête de ligne avec les flèches du logement supérieur de la tête de ligne.
- Presser les deux parties du logement ensemble et tourner le boîtier inférieur dans le sens horaire jusqu'à aligner les flèches du boîtier inférieur sur le verrou du boîtier supérieur.
- Installer le ligne tel que décrit à la section intitulée **Remplacement de ligne.**

ENTRETIEN

NETTOYAGE DU COUPE-HERBE

- Arrêtez le moteur et retirer le bloc-piles.
- Nettoyer la saleté et les débris de l'ensemble moteur à l'aide d'un chiffon humide et d'un détergent doux.

AVIS :

Ne pas utiliser de détergents puissants sur le boîtier en plastique ou la poignée. Ces pièces peuvent être endommagées par certaines huiles aromatiques telles que les huiles de pin et de citron et les solvants tels que le kérosène.

REMISAGE DU TAILLE-HAIES À LIGNE

- Retirer la pile du taille-haies avant de le ranger.
- Nettoyer soigneusement le taille-haies.
- La remiser dans un endroit inaccessible aux enfants.
- Le tenir à l'écart de produits corrosifs, tels que les produits chimiques de jardinage et le sel de dégivrage.

PIÈCES DE REMPLACEMENT

Fil de remplacement:

- 2,0 mm (0,080 po) fil torsadé.....AC0580PCL
- 2,29 mm (0.095 po) fil torsadé..... AC04149

DÉPANNAGE

PROBLÈME	CAUSE POSSIBLE	SOLUTION
Le moteur ne démarre pas quand change la gâchette.	Le bloc-piles n'est pas fixée.	Pour la fixer, s'assurer que le loquet au bas du bloc-piles est enclenché correctement.
	Le bloc-piles n'est pas chargée.	Charger la pile conformément aux instructions fournis avec ce modèle.
	La pile est chaude.	Lorsque le bloc-piles atteint la température de refroidissement, le coupe-bordure reprendra son fonctionnement.
La ligne n'avance pas	Ligne soudée sur elle-même.	Lubrifier avec un produit au silicone.
	Pas assez de ligne sur la bobine.	Installer une nouvelle ligne. Voir Remplacement de lign , plus haut dans ce manuel.
	Ligne trop courte.	Tirer les lignes en appuyant sur la bobine et en la relâchant alternativement. Voir Remplacement de lign , plus haut dans ce manuel.
	Ligne emmêlée sur la bobine.	Retirer la ligne de el capuchon et la réenrouler. Consulter la section du présent manuel qui traite du Remplacement de ligne .



NOUS APPELER D'ABORD

Pour toute question concernant l'utilisation ou l'entretien utiliser ce produit, appeler le service d'assistance téléphonique Ryobi !
Le coupe-herbe à été entièrement testé avant expédition pour assurer la complète satisfaction de l'utilisateur.

Ce produit est accompagné d'une garantie limitée de trois (3) ans pour utilisation personnel, familiales ou domestiques (90 jours pour utilisation affaires ou commerciaux). Pour obtenir les détails de la garantie, visiter le site www.ryobitools.com ou appeler (sans frais) au 1-800-525-2579.

ADVERTENCIAS DE SEGURIDAD GENERALES PARA EL USO DE HERRAMIENTAS ELÉCTRICAS

¡ADVERTENCIA!

Lea todas las advertencias de seguridad, instrucciones, ilustraciones y especificaciones proporcionadas con esta herramienta eléctrica. No seguir las instrucciones indicadas a continuación puede provocar descargas eléctricas, incendios o lesiones graves.

Guarde todas las advertencias e instrucciones para futuras consultas. El término “herramienta eléctrica” empleado en todos los avisos de advertencia enumerados abajo se refiere a las herramientas eléctricas de cordón (alámbricas) y de baterías (inalámbricas).

SEGURIDAD EN EL ÁREA DE TRABAJO

- **Mantenga limpia y bien iluminada el área de trabajo.** Un área de trabajo mal despejada o mal iluminada propicia accidentes.
- **No utilice herramientas motorizadas en atmósferas explosivas, como las existentes alrededor de líquidos, gases y polvos inflamables.** Las herramientas eléctricas generan chispas que pueden encender el polvo y los vapores inflamables.
- **Mantenga alejados a los niños y circunstancias al maniobrar una herramienta eléctrica.** Toda distracción puede causar pérdida del control de la herramienta.

SEGURIDAD ELÉCTRICA

- **Las clavijas de las herramientas eléctricas deben corresponder a las tomas de corriente donde se conectan. Nunca modifique la clavija de ninguna forma. No utilice ninguna clavija adaptadora con herramientas eléctricas dotadas de contacto a tierra.** Conectando las clavijas originales en las tomas de corriente donde corresponden se disminuye el riesgo de una descarga eléctrica.
- **Evite el contacto del cuerpo con las superficies de objetos que estén haciendo tierra o estén conectados a ésta, como tuberías, radiadores, estufas y refrigeradores.** Existe un mayor riesgo de descargas eléctricas si el cuerpo está haciendo tierra.
- **No exponga las herramientas eléctricas a la lluvia ni a condiciones de humedad.** La introducción de agua en una herramienta eléctrica aumenta el riesgo de descargas eléctricas.
- **No maltrate el cordón eléctrico. Nunca utilice el cordón para trasladar, desconectar o tirar de la herramienta eléctrica. Mantenga el cordón alejado del calor, del aceite, de bordes afilados y de piezas móviles.** Los cordones eléctricos dañados o enredados aumentan el riesgo de descargas eléctricas.
- **Al utilizar una herramienta eléctrica a la intemperie, use un cordón de extensión apropiado para el exterior.** Usando un cordón adecuado para el exterior se disminuye el riesgo de descargas eléctricas.

- **Si debe operar una herramienta en lugares húmedos, use un suministro protegido por un interruptor de circuito con pérdida a tierra (GFCI).** El uso de un GFCI reduce el riesgo de descargas eléctricas.

SEGURIDAD PERSONAL

- **Permanezca alerta, preste atención a lo que esté haciendo y aplique el sentido común al utilizar herramientas eléctricas. No utilice la herramienta eléctrica si está cansado o se encuentra bajo los efectos de alguna droga, alcohol o medicamento.** Un momento de inatención al utilizar una herramienta eléctrica puede causar lesiones corporales serias.
- **Use equipo de seguridad. Siempre póngase protección ocular.** El uso de equipo de seguridad como mascarilla para el polvo, calzado de seguridad, casco y protección para los oídos en las circunstancias donde corresponda disminuye el riesgo de lesiones.
- **Evite un arranque accidental de la unidad. Asegúrese de que el interruptor esté en la posición de apagado antes de conectar la herramienta.** Portar las herramientas eléctricas con el dedo en el interruptor, o conectarlas con el interruptor puesto, propicia accidentes.
- **Retire toda llave o herramienta de ajuste antes de encender la herramienta eléctrica.** Toda llave o herramienta de ajuste dejada en una pieza giratoria de la herramienta eléctrica puede causar lesiones.
- **No estire el cuerpo para alcanzar mayor distancia. Mantenga una postura firme y buen equilibrio en todo momento.** De esta manera se logra un mejor control de la herramienta eléctrica en situaciones inesperadas.
- **Vístase adecuadamente. No vista ropas holgadas ni joyas. Mantenga el cabello, la ropa y los guantes alejados de las piezas móviles.** Las ropas holgadas, las joyas y el cabello largo pueden engancharse en las piezas móviles.
- **Si se suministran dispositivos para conectar mangueras de extracción y captación de polvo, asegúrese de que éstas estén bien conectadas y se usen correctamente.** La utilización de captador de polvo puede disminuir los peligros relacionados con el polvo.
- **No permita que la familiaridad obtenida por el uso frecuente de las herramientas lo vuelva complaciente e ignore los principios de seguridad de las herramientas.** Una acción sin cuidado adecuado puede causar lesiones graves en una fracción de segundo.
- **No utilice la unidad al estar en una escalera o en un soporte inestable.** Una postura estable sobre una superficie sólida permite un mejor control de la herramienta eléctrica en situaciones inesperadas.
- **Póngase pantalones largos de tela gruesa, mangas largas, botas y guantes.** No se ponga ropa holgada o pantalones cortos, sandales ni ande descalzo. No se ponga joyas de ninguna clase.

ADVERTENCIAS DE SEGURIDAD GENERALES PARA EL USO DE HERRAMIENTAS ELÉCTRICAS

EMPLEO Y CUIDADO DE LA HERRAMIENTA ELÉCTRICA

- **No fuerce la herramienta eléctrica. Utilice la herramienta eléctrica adecuada para cada trabajo.** La herramienta eléctrica adecuada efectúa mejor y de manera más segura el trabajo, si además se maneja a la velocidad para la que está diseñada.
- **No utilice la herramienta si el interruptor no enciende o no apaga.** Cualquier herramienta eléctrica que no pueda controlarse con el interruptor es peligrosa y debe repararse.
- **Desconecte la clavija del suministro de corriente o retire el paquete de baterías de la herramienta eléctrica, según sea el caso, antes de efectuarle cualquier ajuste, cambiarle accesorios o guardarla.** Tales medidas preventivas de seguridad reducen el riesgo de poner en marcha accidentalmente la herramienta.
- **Guarde las herramientas eléctricas desocupadas fuera del alcance de los niños y no permita que las utilicen personas no familiarizadas con las mismas o con estas instrucciones.** Las herramientas eléctricas son peligrosas en manos de personas no capacitadas en el uso de las mismas.
- **Preste servicio a las herramientas eléctricas. Revise para ver si hay desalineación o atoramiento de piezas móviles, ruptura de piezas o cualquier otra condición que pueda afectar el funcionamiento de la herramienta. Si está dañada la herramienta eléctrica, permita que la reparen antes de usarla.** Numerosos accidentes son causados por herramientas eléctricas mal cuidadas.
- **Mantenga las herramientas de corte afiladas y limpias.** Las herramientas de corte bien cuidadas y con bordes bien afilados, tienen menos probabilidad de atascarse en la pieza de trabajo y son más fáciles de controlar.
- **Utilice la herramienta eléctrica, los accesorios y brocas, hojas y cuchillas de corte, ruedas de esmeril, etc. de conformidad con estas instrucciones, tomando en cuenta las condiciones de trabajo y la tarea por realizar.** Si se utiliza la herramienta eléctrica para operaciones diferentes de las indicadas podría originar una situación peligrosa.
- **Mantenga los mangos y superficies de agarre limpias y libres de aceite y grasa.** Los mangos y superficies de agarre resbalosos no permiten una manipulación y control seguros de la herramienta en situaciones inesperadas.

EMPLEO Y CUIDADO DE LA HERRAMIENTA DE BATERÍAS

- **Sólo cargue el paquete de baterías con el cargador especificado por el fabricante.** Un cargador adecuado para un tipo paquete de baterías puede significar un riesgo de incendio si se emplea con un paquete de baterías diferente.
- **Utilice las herramientas eléctricas sólo con los paquetes de baterías específicamente indicados.** El empleo de paquetes de baterías diferentes puede presentar un riesgo de incendio.
- **Cuando no esté utilizándose el paquete de baterías, manténgalo lejos de otros objetos metálicos, como clips, monedas, llaves, clavos, tornillos o otros objetos metálicos, pequeños que puedan establecer conexión entre ambas terminales.** Establecer una conexión directa entre las dos terminales de las baterías puede causar quemaduras o incendios.
- **Si se maltratan las baterías, puede derramarse líquido de las mismas; evite todo contacto con éste. En caso de contacto, lávese con agua. Si el líquido llega a tocar los ojos, además busque atención médica.** El líquido de las baterías puede causar irritación y quemaduras.
- **No utilice una batería o herramienta dañada o modificada.** Las baterías dañadas o modificadas pueden tener un funcionamiento impredecible que provoque incendios, explosiones o riesgo de lesiones.
- **No exponga la batería o herramienta al fuego o a temperaturas excesivas.** La exposición al fuego o a una temperatura superior a los 130 °C (265 °F) puede provocar explosiones.
- Usar este producto únicamente con la baterías y el cargadores indicados en el folleto de la herramienta/aparato/paquete de baterías/cargador complementario 987000-432.
- **Siga todas las instrucciones de carga y no cargue el paquete de baterías ni el aparato fuera del rango de temperaturas especificado en las instrucciones.** Si realiza la carga en forma incorrecta o fuera de la temperatura del rango especificado, puede dañar la batería y aumentar el riesgo de incendios.

SERVICIO




- **Permita que un técnico de reparación calificado preste servicio a la herramienta eléctrica, y sólo con piezas de repuesto idénticas.** De esta manera se mantiene la seguridad de la herramienta eléctrica.
- **Al dar servicio a una herramienta eléctrica, sólo utilice piezas de repuesto idénticas. Siga las instrucciones señaladas en la sección Mantenimiento de este manual.** El empleo de piezas no autorizadas o el incumplimiento de las instrucciones de mantenimiento puede significar un riesgo de descarga eléctrica o de lesiones.

ADVERTENCIAS DE SEGURIDAD DE LA RECORTADORA DE CÉSPED











- No use la máquina en condiciones de clima adverso, especialmente cuando haya riesgo de relámpagos. Esto disminuirá el riesgo de que lo alcance un relámpago.
- Inspeccione cuidadosamente el área para cerciorarse de que no haya animales donde use la máquina. De haberlos, podría dañarlos durante la operación.
- Inspeccione cuidadosamente el área donde quiera usar la máquina y quite piedras, palos, alambres, huesos y otros elementos extraños. Los objetos que salgan arrojados pueden causar lesiones personales.
- Antes de usar la máquina, inspeccione visualmente la herramienta para asegurarse de que el cortador o la cuchilla, o el conjunto del cortador o la cuchilla no estén dañados. Las partes dañadas incrementan el riesgo de lesiones.
- Siga las instrucciones para el cambio de accesorios. Las tuercas o pernos que sostienen la cuchilla mal ajustados pueden dañar la cuchilla o hacer que esta se salga.
- Use protección ocular, para oídos y manos. Un equipo de protección adecuado reducirá las lesiones personales por suciedad flotante o contacto accidental con la línea o cuchilla de corte.
- Mientras use la máquina, use siempre calzado protector y que evite resbalos. No use la máquina descalzo o con calzado abierto tipo sandalias. Esto reduce la posibilidad de lesiones en los pies por contacto con cortadores o líneas en movimiento.
- Mientras usa la máquina, use siempre pantalones largos. La piel expuesta incrementa la posibilidad de lesiones con objetos arrojados.
- Mantenga alejados a los transeúntes mientras usa la máquina. La suciedad arrojada puede causar lesiones personales graves.
- Use siempre dos manos al usar la máquina. Sostenga la máquina con ambas manos para no perder el control.
- Sostenga la máquina de las superficies de agarre insuladas solamente, ya que la línea de corte o cuchilla podrían entrar en contacto con cables ocultos. La línea de corte o las cuchillas que entren en contacto con un cable electrificado podrían electrificar partes expuestas de metal de la máquina, lo que podría darle al operador una descarga eléctrica.
- Toujours se tenir bien campé et n'utiliser la machine que lorsqu'on est debout au sol. Las superficies resbaladizas o inestables podrían causar la pérdida de estabilidad o control de la máquina.
- No use la máquina en pendientes demasiado empinadas. Esto reduce el riesgo de pérdida de control, resbalos y caídas, que podrían resultar en lesiones personales graves.
- Cuando trabaje en pendientes, asegúrese de pisar con firmeza, trabaje siempre en sentido transversal a la pendiente, nunca moviéndose hacia arriba o hacia abajo, y tenga extremo cuidado al cambiar de dirección. Esto reduce el riesgo de pérdida de control, resbalos y caídas, que podrían resultar en lesiones personales graves.
- Mantenga todas las partes del cuerpo alejadas de la línea de corte o cuchilla cuando use la máquina. Antes de iniciar la máquina, asegúrese de que la línea de corte o cuchilla no estén en contacto con nada. Un momento de distracción al usar la máquina podría ocasionarle lesiones a usted u otras personas.
- Cuando corte arbustos o arbolitos que estén bajo tensión, tenga cuidado cuando estos vuelvan a su posición original. Cuando se libera la tensión en las fibras de la madera, el arbusto o los arbolitos pueden golpear al operador y hacer que pierda el control de la máquina.
- Tenga extremo cuidado al cortar arbustos o arbolitos. El material delgado puede agarrar la hoja y darle un latigazo o hacer que pierda el equilibrio.
- No use la máquina sobre la altura de la cadera. Esto ayuda a evitar el contacto no intencionado con el cortador o la cuchilla, y otorga mayor control de la máquina en situaciones inesperadas.
- Mantenga el control de la máquina y no toque los cortadores, líneas u hojas y otras partes móviles peligrosas mientras estén en movimiento. Esto reduce el riesgo de lesiones que puedan causarle las partes en movimiento.
- Transporte la máquina apagada y alejada del cuerpo. El manejo adecuado de la máquina reducirá la posibilidad de contacto accidental con un cortador, línea u hoja en movimiento.
- Use solo líneas de corte, cabezales de cortes y cuchillas de repuesto especificadas por el fabricante. Las piezas de repuesto inapropiadas pueden incrementar el riesgo de daños materiales o lesiones.
- Cuando quite material atascado o haga tareas de mantenimiento en la herramienta, asegúrese de que el interruptor esté apagado y de extraer primero la batería. El arranque inesperado de la máquina al retirar material atascado o realizar tareas de mantenimiento puede resultar en lesiones personales graves.

SÍMBOLOS

Las siguientes palabras de señalización y sus significados tienen el objeto de explicar los niveles de riesgo relacionados con este producto.

SÍMBOLO	SEÑAL	SIGNIFICADO
	PELIGRO:	Indica una situación peligrosa, la cual, si no se evita, causará la muerte o lesiones serias.
	ADVERTENCIA:	Indica una situación peligrosa, la cual, si no se evita, podría causar la muerte o lesiones serias.
	PRECAUCIÓN:	Indica una situación peligrosa, la cual, si no se evita, podría causar lesiones menores o leves.
	AVISO:	(Sin el símbolo de alerta de seguridad) Indica la información que se considera importante, pero no relacionada con lesiones potenciales (por ej. en relación a daños a la propiedad).

Es posible que se empleen en este producto algunos de los siguientes símbolos. Le suplicamos estudiarlos y aprender su significado. Una correcta interpretación de estos símbolos le permitirá utilizar mejor y de manera más segura el producto.

SÍMBOLO	NOMBRE	DENOMINACIÓN/EXPLICACIÓN
	Alerta de seguridad	Indica un peligro posible de lesiones personales.
	Lea manual del operador	Para reducir el riesgo de lesiones, el usuario debe leer y comprender el manual del operador antes de usar este producto.
	Protección ocular	Siempre póngase protección ocular con protección lateral con la marca de cumplimiento de la norma ANSI Z87.1.
	Alerta de condiciones húmedas	Riesgo de incendio y quemaduras. No exponga la batería, el compartimento de la batería o componentes electrónicos a la lluvia, el agua o líquidos. No use la herramienta en pisos húmedos.
	Mantenga alejadas a las personas presentes	Mantenga a los circunstantes a una distancia mínima de 15 m (50 pies).
	Rebote	Cualquier objeto lanzado puede rebotar y producir lesiones personales o daños físicos.
	No instale hoja de corte	No instale ni utilice ningún tipo de hoja de corte en ningún producto con este símbolo.
	Desconecte la batería antes de realizar tareas de mantenimiento	Para reducir el riesgo de lesiones, el usuario debe quitar la batería antes de realizar tareas de servicio o mantenimiento del producto.
	Símbolo de reciclado	Este producto contiene baterías de iones de litio (Li-ion). Es posible que algunas leyes municipales, estatales o federales prohíban desechar las baterías en la basura normal. Consulte a las autoridades reguladoras de desechos para obtener información en relación con las alternativas de reciclado y desecho disponibles.
	Corriente continua	Tipo o característica de corriente
n_0	Velocidad máxima	Velocidad de rotación, en vacío
.../min	Por minuto	Revoluciones, carreras, velocidad superficial, órbitas, etc., por minuto
V	Volts	Voltaje
Hz	Hertz	Frecuencia (ciclos por segundo)
min	Minutos	Tiempo

CARACTERÍSTICAS

ESPECIFICACIONES

Motor	18 V c.c.
Ancho de corte	330,2 mm y 381 mm (13 y 15 pulg.)
Diámetro del hilo	trenzada de 2,0 mm (0,080 pulg.) o trenzada de 2,29 mm (0,095 pulg.)
Peso del recortadora de césped con carrete y línea	3,39 kg (7,48 lbs)
Peso del recortadora de césped con hoja	3,34 kg (7,36 lbs)

FAMILIARÍCESE CON SU RECORTADORA DE CÉSPED

Vea la figura 1.

El uso seguro que este producto requiere la comprensión de la información impresa en la producto y en el manual del operador así como ciertos conocimientos sobre el proyecto a realizar. Antes de usar este producto, familiarícese con todas las características de funcionamiento y normas de seguridad.

DIÁMETRO DE CORTE AJUSTABLE

El diámetro de corte se puede ajustar de 330,2 mm (13 pulg.) y 381 mm (15 pulg.) haciendo girar la cuchilla de corte del hilo.

CARCASA DEL CABEZAL DE RECORTADORA DE ALIMENTACIÓN POR GOLPE

El conjunto del cabezal de hilo permite un avance fácil de la línea durante el funcionamiento de la recortadora.

DEFLECTOR DE HIERBA

La recortadora incorpora un deflector de hierba que ayuda a proteger al operador de los desechos lanzados por la producto.

SOBREMOLDEADO MANGO

El sobremoldeado mango proporciona mayor comodidad para el operador.

BOTÓN DEL SEGURO

El botón del seguro evita los arranques accidentales.

INTERRUPTOR DE VELOCIDAD

Esta herramienta tiene un selector de velocidad que le permite al operador elegir entre la velocidad ALTA o BAJA. Usar la velocidad baja durante su operación ayuda a prologar el tiempo de funcionamiento de la batería, mientras que usar la velocidad alta mejora la potencia y el desempeño.

INTERRUPTOR DE GATILLO DE VELOCIDAD VARIABLE

Esta herramienta dispone de un interruptor de velocidad variable, el cual produce mayor velocidad cuanto mayor presión se aplica en el mismo. La velocidad se controla mediante la presión aplicada en el gatillo del interruptor.

ARMADO

DESEMPAQUETADO

Este producto requiere armarse.

- Extraiga cuidadosamente de la caja la producto y los accesorios. Asegúrese de que estén presentes todos los artículos enumerados en la **Lista de empaquetado**.

ADVERTENCIA:

No utilice este producto si alguna pieza incluida en la **Lista de empaquetado** ya está ensamblada al producto cuando lo desempaqueta. El fabricante no ensambla las piezas de esta lista en el producto. Éstas deben ser instaladas por el usuario. El uso de un producto que puede haber sido ensamblado de forma inadecuada podría causar lesiones personales graves.

- Inspeccione cuidadosamente la producto para asegurarse de que no haya sufrido ninguna rotura o daño durante el transporte.
- No deseche el material de empaquetado hasta que haya inspeccionado cuidadosamente la producto y la haya utilizado satisfactoriamente.
- Si hay piezas dañadas o faltantes, le suplicamos llamar al 1-800-525-2579, donde le brindaremos asistencia.

LISTA DE EMPAQUETADO

Recortadora de césped
Deflector de hierba
Mango delantero
SPEED WINDER™
Línea de repuesto de 2,03 mm (0,08 pulg.)
Manual del operador

ARMADO

ADVERTENCIA:

Si hay piezas dañadas o faltantes, no utilice este producto sin haber reemplazado las piezas dañadas o faltantes. La inobservancia de esta advertencia puede causar lesiones graves.

ADVERTENCIA:

No intente modificar este producto ni hacer accesorios no recomendados para la misma. Cualquier alteración o modificación constituye maltrato el cual puede causar una condición peligrosa, y como consecuencia posibles lesiones corporales serias.

ADVERTENCIA:

Para evitar un arranque accidental que podría causar lesiones corporales serias, siempre desmonte de la producto el paquete de baterías al montarle piezas a aquélla.

HERRAMIENTAS NECESARIAS

Vea la figura 2.

Para armar la unidad se necesitan la siguiente herramienta (no incluido o dibujado para escalar):

- Destornillador phillips

MONTAJE DEL MANGO DELANTERO

Vea la figura 3.

- Afloje y retire el perno y tuerca de mariposa del mango.
- Instale el mango en el alojamiento del eje de impulsión, en el área que indica la etiqueta.
- Reinstale el perno de y tuerca mariposa. Ajuste el tuerca de mariposa por seguridad.

MONTAJE DEL DEFLECTOR DE PASTO

Vea la figura 4.

ADVERTENCIA:

La cuchilla de cortar el hilo del deflector de pasto está afilada. Evite tocar la cuchilla. Si no evita tal contacto puede originarse lesiones corporales serias.

- Retire el paquete de baterías.
- Inserte el deflector de hierba en las ranuras del cabezal de la recortadora.
- Haga coincidir los orificios del deflector de hierba con el orificio central del alojamiento del motor.
- Instale el tornillo incluido y apriételo girándolo en sentido horario con un destornillador Phillips.

ARMANDO DE LA HERRAMIENTA

Vea la figura 5.

ADVERTENCIA:

Nunca una ni ajuste ningún aditamento, desmontar o mientras esté funcionando el motor o con la paquete de baterías instaladas. Si no puede detener el motor o retirar el paquete de baterías puede provocar lesiones personales graves.

PRECAUCIÓN:

Tenga cuidado al deslizar un extremo dentro del otro, porque podría pellizcarse las manos o los dedos.

- Si está instalado, retire el paquete de baterías.
- Alinee los dos indicadores del extremo inferior con los tornillos del extremo superior. Inserte el extremo inferior en el extremo superior.
- Presione las dos secciones para unir las, hasta que el extremo inferior haga tope.
- Ajuste los dos tornillos de cabeza Phillips hasta que queden firmes.

ADVERTENCIA:

Asegúrese de que los extremos queden bloqueados en su lugar antes de usar la recortadora de césped; durante el uso, verifique periódicamente que los extremos estén bien ajustados para evitar la posible desconexión de los ejes, que podría causar lesiones personales graves.

ADVERTENCIA:

Esta recortadora de césped está diseñada para usarse únicamente con el eje de recortadora y el cabezal de hilo que se proveen. No puede usarse con otros accesorios ni con otros cabezales de corte. Intentar usar otros accesorios u otros cabezales de corte podría causar lesiones personales graves.

FUNCIONAMIENTO

ADVERTENCIA:

No permita que su familiarización con las herramientas lo vuelva descuidado. Tenga presente que un descuido de un instante es suficiente para causar una lesión grave.

ADVERTENCIA:

Siempre póngase protección ocular con protección lateral con la marca de cumplimiento de la norma ANSI Z87.1 junto con protección auditiva. La inobservancia de esta advertencia puede causar el lanzamiento de objetos hacia los ojos y otras lesiones graves.

ADVERTENCIA:

Nunca use hojas, dispositivos móviles, alambre ni cuerdas en este producto. No utilice ningún aditamento o accesorio no recomendado por el fabricante de este producto. El empleo de aditamentos o accesorios no recomendados puede causar lesiones serias.

AVISO:

Antes de cada uso, inspeccione todo el producto para detectar partes dañadas, faltantes o sueltas, como tornillos, tuercas, pernos, tapas, etc. Apriete firmemente todos los sujetadores y las tapas y no accione este producto hasta que todas las partes faltantes o dañadas sean reemplazadas. Póngase en contacto con el servicio al cliente o con un centro de servicio calificado para obtener ayuda.

PARA DESMONTAR Y MONTAR EL PAQUETE DE BATERÍAS

Vea la figura 6.

ADVERTENCIA:

Retire siempre el paquete de baterías de la herramienta antes de instalar las piezas, realizar ajustes, limpiarla o cuando no la utilice. Retirar el paquete de baterías evitará que la unidad se accione accidentalmente y provoque lesiones graves.

Para conectar:

- Coloque el paquete de baterías en el producto como se muestra.
- Asegúrese de que los pestillos situados a ambos lados del paquete de baterías entren completamente en su lugar con un chasquido y de que el paquete quede bien asegurado en la herramienta antes de comenzar a utilizarla.

Para el desmontaje:

- Oprima los pestillos y extraer el paquete de baterías.

Para obtener instrucciones específicas de carga, lea los manuales del operador que se incluye con el cargador y la batería.

ADVERTENCIA:

Para evitar lesiones corporales serias, siempre desmonte de la herramienta el paquete de baterías y mantenga manos vacías del botón del seguro al llevar herramienta.

ENCENDIDO Y APAGADO DE LA RECORTADORA

Vea la figura 7.

Para encendido:

- Seleccione la velocidad de funcionamiento deseada (ALTA o BAJA).
- Oprima y no suelte el gatillo con seguro.
- Oprima el gatillo del interruptor.

Para apagado:

- Suelte el gatillo cuando desee apagar la recortadora de césped.
- Al soltar el gatillo, el gatillo con seguro regresa automáticamente a la posición de aseguramiento.

MANEJO DE LA RECORTADORA DE CÉSPED

Vea la figura 8.

Siga las siguientes recomendaciones a manejar la recortadora de césped:

- Sujete la recortadora con la mano derecha en el mango trasero y la izquierda en el delantero.
- Sujete firmemente la unidad con ambas manos durante la operación.
- Se recomienda sujetar la recortadora en una posición cómoda, con el mango trasero a la altura de la cadera aproximadamente.
- Corte la hierba alta desde arriba hacia abajo. Esto evitará que la hierba se enrolle alrededor del alojamiento del eje y del cabezal del brazo, lo que puede causar daños por calentamiento excesivo.

Si la hierba se enrolla en el cabezal del hilo:

- Retire el paquete de baterías.
- Quite la hierba.

ADVERTENCIA:

Siempre sujete la recortadora de césped lejos de su cuerpo, manteniendo un espacio entre ambos. El contacto con el cabezal de corte de la recortadora de hilo durante su operación puede causar lesiones personales graves.

FUNCIONAMIENTO

RECOMENDACIONES DE CORTE

Vea la figura 9.

- Mantenga la recortadora inclinada hacia el área de corte; ésa es el área óptima.
- La recortadora de césped efectúa el corte al pasar la unidad de derecha a izquierda. De esta manera se evita el lanzamiento de desechos hacia el operador. Evite recortar en el área peligrosa mostrada.
- Haga que el recorte sea efectuado por la punta del hilo; no fuerce el cabezal del hilo en la hierba sin cortar.
- Las cercas de alambre y de estacas causan desgaste adicional del hilo, incluso su ruptura. Los muros de piedra y de ladrillo, así como las banquetas (aceras) y la madera pueden desgastar rápidamente el hilo.
- Evite el contacto con árboles y arbustos. La corteza de los árboles, las molduras de madera, los revestimientos de las paredes y los postes de las cercas pueden resultar dañados fácilmente por el hilo.

AVANCE DEL HILO DE CORTE EN EL CABEZAL DE RECORTADORA DE ALIMENTACIÓN POR GOLPE

El avance del hilo se controla golpeando levemente el cabezal del hilo contra el pasto mientras el funciona a la máxima aceleración.

- Presione el gatillo interruptor completamente.
- Golpee el perilla percusiva sobre el suelo para hacer avanzar el hilo. El hilo avanza cada vez que se golpea sobre el suelo el retén del carrete. No mantenga el perilla sobre el suelo.

NOTA: La cuchilla de cortar el hilo montada en el deflector de pasto corta el hilo a la longitud correcta.

NOTA: Si el hilo se gasta hasta quedar muy corto quizá no pueda avanzar el hilo tras golpear el cabezal contra el suelo. Si así fuese, retire el paquete de baterías y avance manualmente el hilo.

Para avanzar manualmente el hilo de corte:

- Retire el paquete de baterías.
- Empuje hacia adentro el perilla percusiva mientras tira del hilo, o hilos, según sea el caso, para avanzar manualmente el hilo.

CÓMO AJUSTAR LA CUCHILLA DE CORTE DEL HILO

Vea las figuras 10 y 11.

Esta recortadora está equipada con una cuchilla de corte instalada en el protección. Para obtener mejores resultados en el recorte, avance el hilo hasta que la cuchilla lo corte a la longitud apropiada. Avance el hilo siempre que escuche que el motor está funcionando más rápido de lo normal, o cuando disminuya la eficiencia del recorte. Esto mantendrá un desempeño óptimo y mantendrá el hilo a la suficiente longitud para que avance correctamente.

Este recortadora de césped es puesto actualmente en el 381 mm (15 pulg.) ancho de corte. Para ajustar a una ancho de corte de 330,2 mm (13 pulg.) :

- Retire el paquete de baterías.
- Afloje el tornillo de la hoja entonces gira la hoja 180°.
- Apriete el tornillo de la hoja.



ADVERTENCIA:

La cuchilla de cortar el hilo del deflector de pasto está afilada. Use guantes mientras trabaja con la hoja. El contacto directo con la hoja puede provocar lesiones personales graves.

MANTENIMIENTO

ADVERTENCIA:

Para evitar lesiones serias, siempre retire el paquete de baterías de la herramienta cuando la limpie o durante cualquier mantenimiento.

ADVERTENCIA:

Siempre póngase protección ocular con protección lateral con la marca de cumplimiento de la norma ANSI Z87.1 junto con protección auditiva. La inobservancia de esta advertencia puede causar el lanzamiento de objetos hacia los ojos y otras lesiones graves.

ADVERTENCIA:

Al dar servicio a la unidad, sólo utilice piezas de repuesto idénticas. El empleo de piezas diferentes podría causar un peligro o dañar el producto.

AVISO:

Inspeccione periódicamente todo el producto para detectar partes dañadas, faltantes o sueltas, como tornillos, tuercas, pernos, tapas, etc. Apriete firmemente todos los sujetadores y las tapas y no accione este producto hasta que todas las partes faltantes o dañadas sean reemplazadas. Póngase en contacto con el servicio al cliente o con un centro de servicio calificado para obtener ayuda.

MANTENIMIENTO GENERAL

Evite el empleo de solventes al limpiar piezas de plástico. La mayoría de los plásticos son susceptibles a diferentes tipos de solventes comerciales y pueden resultar dañados. Utilice paños limpios para eliminar la suciedad, el polvo, el aceite, la grasa, etc.

ADVERTENCIA:

No permita en ningún momento que fluidos para frenos, gasolina, productos a base de petróleo, aceites penetrantes, etc., lleguen a tocar las piezas de plástico. Las sustancias químicas pueden dañar, debilitar o destruir el plástico, lo cual a su vez puede producir lesiones corporales serias.

REABASTECIMIENTO DEL HILO

Vea las figuras 12 a 13.

Use hilo de repuesto del fabricante original para obtener el mejor desempeño.

- Retire el paquete de baterías.

Cuando utilice el cabezal de recortadora de alimentación por golpe:

- Gire la perilla percusiva hacia la derecha según sea necesario para alinear las flechas de la perilla percusiva con las flechas en el alojamiento del cabezal del hilo.

- Corte una pieza de hilo de 3,04 m (10 pies) de largo. Inserte el hilo en el ojillo ubicado en el alojamiento de la cabezal de hilo. Empuje hasta que el extremo del hilo salga por el otro lado del cabezal del hilo. Tire del hilo del otro lado hasta que obtenga la misma cantidad de hilo en ambos lados del alojamiento.

NOTA: Es posible que el hilo se atasque si carga más de 3,04 m (10 pies).

- A mano o usando la SPEED WINDER™, gire el perilla percusiva hacia la derecha para enrollar el hilo en éste hasta obtener aproximadamente 152,4 mm (6 pulg.) de hilo en cada lado.

NOTA: Cada cinco a siete revoluciones del SPEED WINDER™, tire de ambos extremos de la línea con firmeza para lograr mejores resultados de carga y ayudar a evitar que la línea se enrede.

- Presione el bump knob a la vez que tira del hilo, o hilos, para avanzar manualmente el hilo.

ELIMINAR ATASCAMIENTO DEL HILO Y/O REEMPLAZAR LA PERILLA PERCUSIVA DEL CABEZAL DE RECORTADORA DE ALIMENTACIÓN POR GOLPE

Vea la figura 14.

- Retire el paquete de baterías.

- Retire la carcasa de la recortadora de alimentación por golpe girando la carcasa inferior hacia la izquierda, de manera que la flecha en la carcasa superior se alinee con la flecha exterior de la carcasa de alimentación por golpe.

NOTA: La carcasa tiene un resorte y saldrá expulsada automáticamente cuando se desbloquee. No es necesario retirar la carcasa del cabezal de hilo superior de la barra de transmisión.

- Empuje el carrete y la perilla percusiva a través del alojamiento de cabezal de hilo y extraiga el hilo del carrete.
- Si reemplaza la perilla percusiva, extraiga la vieja perilla del carrete. Alinee las costillas de la perilla con las ranuras del carrete, y luego coloque la nueva perilla percusiva en el carrete. Si no reemplaza la perilla percusiva, omita este paso.
- Inserte el conjunto de la perilla percusiva y el carrete a través de la apertura del alojamiento del cabezal del hilo.
- Alinee las flechas del alojamiento del cabezal de hilo inferior con las flechas del alojamiento del cabezal de hilo superior.
- Instale la línea como se indica en **Reemplazo del hilo**.

MANTENIMIENTO

LIMPIEZA DE LA RECORTADORA DE CÉSPED

- Apague el motor y retire el paquete de baterías.
- Limpie la suciedad y los residuos del cabezal del motor con un paño húmedo y una pequeña cantidad de detergente.

AVISO:

No emplee detergentes concentrados sobre el compartimiento de plástico o el mango. Pueden dañarse con ciertos aceites aromáticos, como de pino o limón, y con solventes como el querosén.

ALMACENAMIENTO DE LA RECORTADORA

- Retire el paquete de baterías de la recortadora de césped antes de almacenarla.
- Limpie todos los desechos presentes en la recortadora.
- Almacene la unidad en un espacio inaccesible a los niños.
- Mantenga la unidad alejada de agentes corrosivos como los productos químicos para el jardín y las sales para derretir el hielo.

PIEZAS DE REPUESTO

Línea de repuesto:

- 2,0 mm (0,080 pulg.) trenzadaAC0580PCL
- 2,29 mm (0.095 pulg.) trenzada AC04149

CORRECCIÓN DE PROBLEMAS

PROBLEMA	CAUSA POSIBLE	SOLUCIÓN
El motor falla de arranque cuando disparador de gatillo del interruptor.	La paquete de baterías no está fija.	Para fijar el paquete de baterías, asegúrese de que la traba de la parte inferior del paquete de baterías quede insertada en su lugar.
	La paquete de baterías no está cargada.	Cargue el paquete de baterías según las instrucciones incluidas con su modelo.
	La batería está caliente.	Cuando la batería alcance una temperatura fría, la recortadora reanudará el funcionamiento.
No avanza el hilo	El hilo se pegó a sí mismo.	Lubrique con rociador de silicón.
	No hay suficiente hilo en el carrete.	Instale más hilo. Vea la sección Reemplazo del hilo arriba en este manual.
	El hilo se desgastó hasta quedar muy corto.	Tire de los hilos a la vez que alternadamente presiona y suelta la perilla percusiva. Vea la sección Reemplazo del hilo arriba en este manual.
	El hilo está enredado en el carrete.	Retire el hilo del carrete y vuelva a enrollarlo. Vea la sección Reemplazo del hilo arriba en este manual.



LLÁMENOS PRIMERO

¡Si tiene preguntas sobre el funcionamiento o el mantenimiento este producto, llame al teléfono de atención al consumidor de Ryobi!

La recortadora ha sido probada enteramente antes de embarcarse para asegurar la satisfacción del consumidor.

Este producto tiene una garantía limitada de tres años para fines personales, familiares o domésticos (90 días para usos trabajo o comercial). Para obtener detalles sobre la garantía, diríjase a www.ryobitools.com o llame sin cargo al 1-800-525-2579.



OPERATOR'S MANUAL
MANUEL D'UTILISATION / MANUAL DEL OPERADOR
18 VOLT BRUSHLESS GRASS TRIMMER
18 V COUPE-HERBE SANS BALAI
18 V RECORTADORA DE CÉSPED SIN ESCOBILLAS
P20019

• **PARTS AND SERVICE:** Prior to requesting service or purchasing replacement parts, please obtain your item, manufacturing, and serial numbers from the product data plate.

ITEM NO.* _____ **MANUFACTURING NO.** _____
SERIAL NO. _____

* Model/item number on product may have additional letters at the end. These letters designate manufacturing information and should be provided when calling for service.

HOW TO OBTAIN REPLACEMENT PARTS: Replacement parts can be purchased online at www.ryobitools.com or by calling 1-800-525-2579. Replacement parts can also be obtained at one of our service centers.

HOW TO LOCATE A SERVICE CENTER: Service centers can be located online at www.ryobitools.com or by calling 1-800-525-2579.

HOW TO OBTAIN CUSTOMER OR TECHNICAL SUPPORT: To obtain customer or technical support please contact us at 1-800-525-2579.

RYOBI is a trademark of Ryobi Limited and is used pursuant to a license granted by Ryobi Limited.

• **PIÈCES ET SERVICE :** Avant de faire la demande de service ou l'achat de pièces de remplacement, veuillez obtenir le numéro d'article, le numéro de fabrication et le numéro de série à partir de la plaque de données du produit.

NUMÉRO D'ARTICLE* _____ **NUMÉRO DE FABRICATION** _____
NUMÉRO DE SÉRIE _____

* Le numéro de modèle/article sur le produit peut contenir des lettres supplémentaires à la fin. Ces lettres désignent les informations du fabricant et doivent être fournies lors d'un appel de demande de service.

COMMENT OBTENIR LES PIÈCES DE REMPLACEMENT : Les pièces de remplacement peuvent être achetées en ligne sur le site www.ryobitools.com ou par téléphone au 1-800-525-2579. Les pièces de remplacement peuvent être obtenues à un de nos centres de service.

COMMENT TROUVER UN CENTRE DE SERVICE : Les centres de service peuvent être localisés en ligne au www.ryobitools.com ou en téléphonant au 1-800-525-2579.

COMMENT OBTENIR DE L'AIDE EN CONTACTANT LE SERVICE À LA CLIENTÈLE : Pour contacter le service à la clientèle pour une question technique ou pour tout autre renseignement, veuillez nous téléphoner au 1-800-525-2579.

RYOBI est une marque de Ryobi Limited et est utilisée en vertu d'une licence accordée par Ryobi Limited.

• **PIEZAS DE REPUESTO Y SERVICIO:** Antes de solicitar servicio técnico o comprar piezas de repuesto, obtenga su número de artículo, el número de fabricación y el número de serie de la placa de datos del producto.

NÚMERO DE ARTÍCULO* _____ **NÚMERO DE FABRICACIÓN** _____
NÚMERO DE SERIE _____

* El número de modelo/artículo que figura en el producto podría tener letras adicionales al final. Estas designan información de fabricación y deben suministrarse cuando llame para obtener asistencia o servicio.

CÓMO OBTENER PIEZAS DE REPUESTO: Las piezas de repuesto se pueden comprar en nuestro sitio en la red mundial, en la dirección www.ryobitools.com o llamando al 1-800-525-2579. Las piezas de repuesto también se pueden obtener en uno de nuestros centros de servicio.

CÓMO LOCALIZAR UN CENTRO DE SERVICIO: Puede encontrar los centros de servicio visitando nuestro sitio en la red mundial, en la dirección www.ryobitools.com or by calling 1-800-525-2579.

CÓMO OBTENER SERVICIO O ASISTENCIA TÉCNICA AL CONSUMIDOR: Para obtener servicio o asistencia técnica al consumidor, sírvase comunicarse con nosotros llamando al 1-800-525-2579.

RYOBI es una marca de Ryobi Limited y se utiliza conforme a una licencia otorgada por Ryobi Limited.

TTI OUTDOOR POWER EQUIPMENT, INC.

P.O. Box 1288, Anderson, SC 29622, USA
1-800-525-2579 • www.ryobitools.com