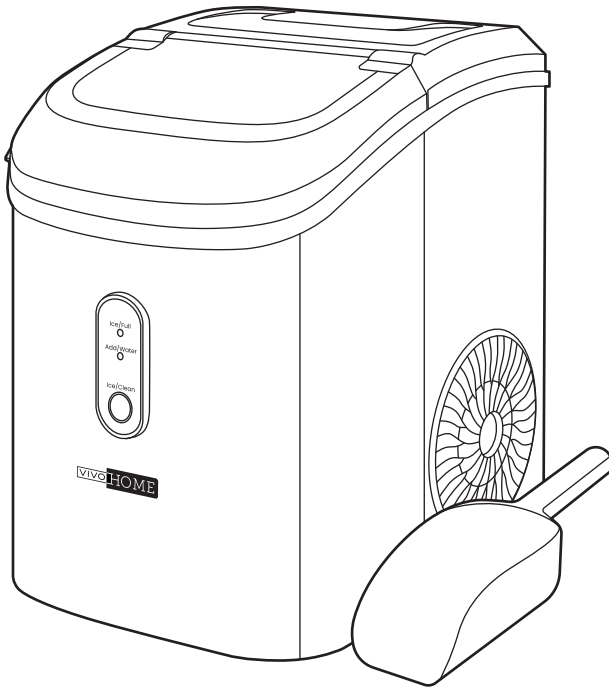


Countertop Nugget Ice Cube Maker

Instruction Manual



THIS INSTRUCTION BOOKLET CONTAINS IMPORTANT SAFETY INFORMATION.
PLEASE READ AND SAVE IT FOR FUTURE REFERENCE.

CONTENTS

Important Safety Instructions	1
Preparing Your Ice Maker for Use	1
Getting to Know Your Unit	4
Operating Procedures & Maintenance	4
Using Your Ice Maker	5
Troubleshooting	13
Technical Parameters	14
Circuit Diagram	14

IMPORTANT SAFETY INSTRUCTIONS

Your safety and the safety of others are very important.

We have provided many important safety messages manual and your appliance.

This is the safety alert symbol: 

Always read and obey all safety messages.

All safety messages will follow the safety alert symbol and the word "DANGER" or "WARNING".

 **DANGER**

 **WARNING**

These words mean:

You can be killed or seriously injured if you don't immediately follow instructions.

All safety messages will tell you what the potential hazard is, tell you how to reduce the risk of injury and what will happen if the instructions are not followed.

PREPARING YOUR ICE MAKER FOR USE

IMPORTANT SAFETY TIPS

When using electrical appliances, basic safety precautions should be followed to reduce the risk of fire, electric shock, and injury to persons or property. Read all instructions before using any appliance.

1. Do not operate this, or any other appliance with a damaged cord.
If the supply cord is damaged, it must be replaced by the manufacturer or its service agent, or a similarly qualified person to avoid a hazard.
This ice maker must be positioned so that the plug is accessible.
Connect to properly grounded outlets only. No other appliance should be plugged into the same outlet. Be sure that the plug is fully inserted into the receptacle.
2. Do not run the power cord over carpeting or other heat insulators. Do not cover the cord. Keep the cord away from traffic areas, and do not submerge in water.

PREPARING YOUR ICE MAKER FOR USE

3. We do not recommend the use of an extension cord, as it may overheat and become a risk of fire. If you must use an extension cord, use No.14AWG minimum size and rated no less than 1875 watts.
4. Unplug the ice maker before cleaning or making any repairs or servicing.
5. Exercise caution and use reasonable supervision when the appliance is used near children.
6. Do not use your ice maker outdoors. Place the ice maker away from direct sunlight and make sure that there are at least 6 inches of space between the back of your unit and the wall. Keep a minimum distance of 6 inches on each side of your unit free.
7. Do not use other liquids to make the ice cube other than water.
8. Do not clean your ice maker with flammable fluids. The fumes can create a fire hazard or explosion.
9. Do not tip over.
10. If the ice maker is brought in from outside in the wintertime, give it a few hours to warm up to room temperature before plugging it in.

WARNING: This appliance must be earthed.

11. DANGER – Risk Of Fire or Explosion. Flammable Refrigerant Used. Do Not Use Mechanical Devices To Defrost Ice Maker. Do Not Puncture Refrigerant Tubing.
12. DANGER – Risk Of Fire Or Explosion. Flammable Refrigerant Used. To Be Repaired Only By Trained Service Personnel. Do Not Puncture Refrigerant Tubing.
13. CAUTION – Risk Of Fire Or Explosion. Flammable Refrigerant Used. Consult Repair Manual/Owner’s Guide Before Attempting To Install or Service This Product. All Safety Precautions Must be Followed.
14. CAUTION – Risk Of Fire Or Explosion. Dispose Of Property By Federal Or Local Regulations. Flammable Refrigerant Used.
15. CAUTION-Risk Of Fire Or Explosion Due To Puncture Of Refrigerant Tubing;- Follow Handling Instructions Carefully. Flammable Refrigerant Used.
16. The ice maker should be installed by the safety standard for Refrigeration Systems, ASHRAE15. The ice maker shall not be installed in corridors or hallways of public buildings.
17. If the unit is with a problem that need to be maintained, that replacement with like components and that servicing shall be done by factory-authorized service personnel, to minimize the risk of possible ignition due to incorrect parts or improper service.

PREPARING YOUR ICE MAKER FOR USE

IMPORTANT:

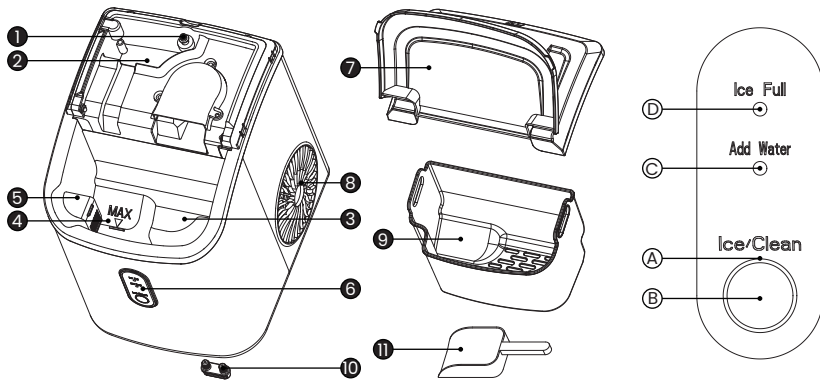
The wires in this mains lead are colored in accordance with the following code:

[Green] or [Green with a strip yellow]	Grounding
[White]	Neutral
[Black]	Live

To avoid a hazard due to instability of the appliance, it must be placed at a even or flat surface.

GETTING TO KNOW YOUR UNIT

1	Float switch	
2	Secondary water reservoir: It connects directly with the evaporator	
3	Water reservoir	
4	Maximum water level	
5	Filter	
6	Control Panel	A. Ice-making and cleaning buttons
		B. Ring indicator light
		C. Water lack indicator light
		D. Ice full indicator light
7	Top cover, removable from the top	
8	Hot Air outlet	
9	Ice basket	
10	Water drain cap: at the front bottom side of the unit	
11	Ice scoop	



OPERATING PROCEDURES & MAINTENANCE

1. Remove the exterior and interior packaging, and then check all the accessories are included. If any parts are missing, please contact our customer service.
2. Remove all the tapes on the unit; take out the accessory parts inside.
3. Clean the interior with lukewarm water and a soft cloth.
4. Locate your ice maker on a level counter table far from direct sunlight and other sources of heat (i.e.: stove, furnace, and radiator). Make sure that there are at least 6 inches between the back and sides of your ice maker with the wall.
5. Allow one hour for the refrigerant fluid to settle down before plugging your ice maker in.
6. The power plug must be accessed directly.

WARNING: fill with potable water only. Only use drinking water.

OPERATING PROCEDURES & MAINTENANCE

DANGER

***Improper use of the grounded plug can result in the risk of electrical shock. If the power cord is damaged, please call our customer service.**

1. This unit should be properly grounded for your safety. The power cord of this appliance is equipped with a grounding plug that mates with standard grounding wall outlets to minimize the possibility of electric shock.
2. Plug your appliance into an exclusive, properly installed, grounding wall outlet. Do not under any circumstances; damage the grounding means of the plug. Any questions concerning power and/or grounding should be directed toward a certified electrician.
3. This appliance requires a standard 110-120Volt, 60Hz electrical outlet with good grounding means.

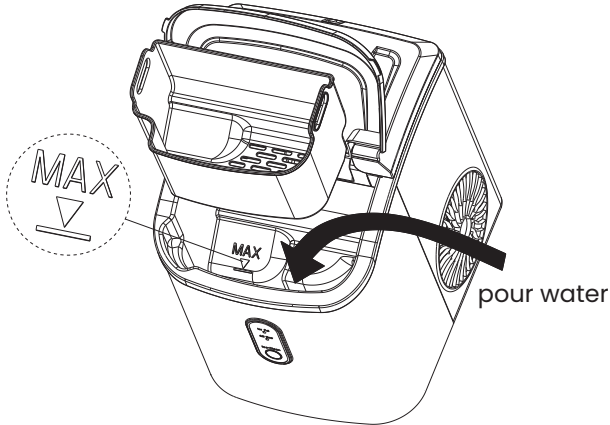
Before using your ice maker, it is strongly recommended to clean it thoroughly. Unplug the unit before cleaning or making any maintenance.

1. Take out the ice basket.
2. Clean the interior with diluted detergent, warm water and a soft cloth.
3. Then use the water to rinse the inside parts, and drain out the water by unplugging the drain cap on the front bottom side.
4. The outside of the ice maker should be cleaned regularly with a mild detergent solution and warm water.
5. Dry the interior and exterior with a clean soft cloth.
6. When the machine is not to be used for a long time, drain the water completely & dry the interior.

USING YOUR ICE MAKER

How to start the unit

1. Take out the ice basket, and pour potable water into the water reservoir, 0.3-gallon water at most at one time.
2. Put back the ice basket.



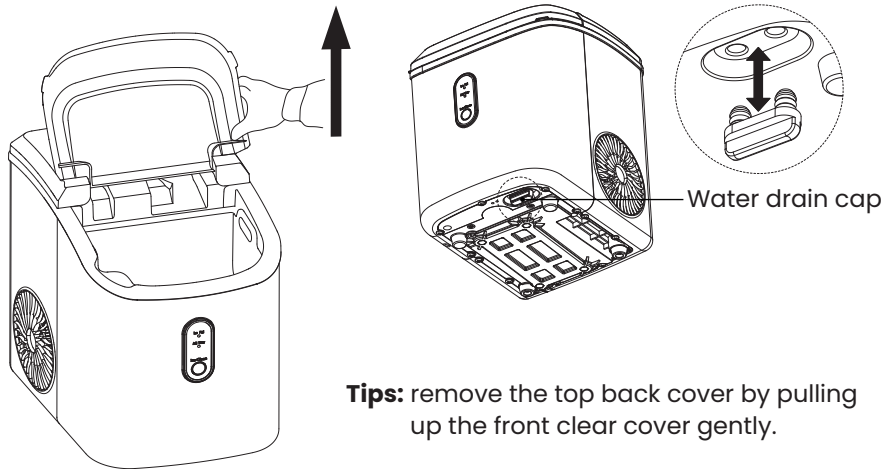
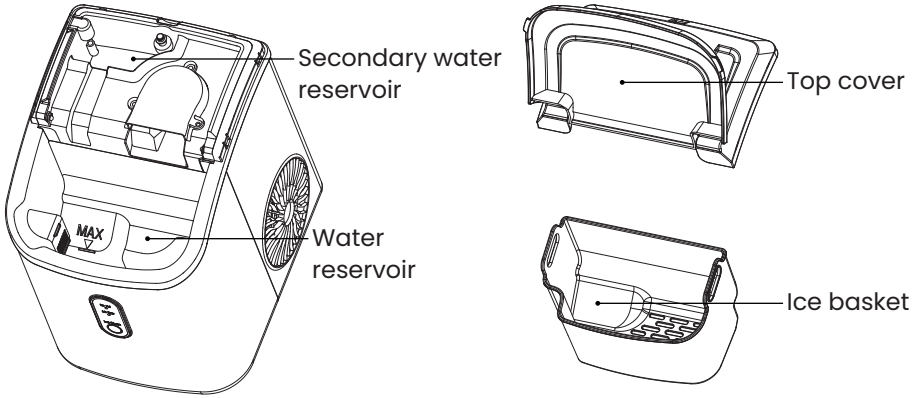
3. Plug in and the ring indicator will red light on. If you press the "ice /clean" button, the machine will start making ice; if long press the "Ice/Clean" button, it will do automatic cleaning.

Clean

For the first time, or the clean procedure has not been running for a long time, it is highly recommended to run this procedure at first.

1. Before the clean procedure, please make sure the water drain cap has been inserted into the appliance; otherwise, it will not work properly.
2. Press "ICE/CLEAN" button for 5 seconds, Ring indicator light flashes white, it will run cleaning procedure for 15 minutes and automatically exit, press this button again during the cleaning procedure, it will exit immediately.
3. After the cleaning procedure, remove the top cover and the ice basket, rinse the main water reservoir and the secondary water reservoir, then move the appliance to the edge of the desktop, make sure that the appliance is placed steady, place a water container under the appliance, remove drain cap from the bottom, dirty water will the drain into the water container, then reinsert the drain cap.

USING YOUR ICE MAKER



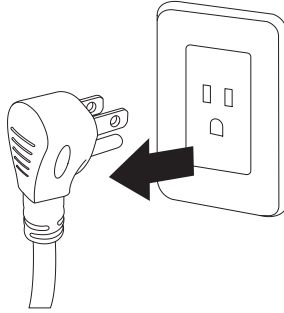
Tips: remove the top back cover by pulling up the front clear cover gently.

Change water in the water reservoir every 24 hours to ensure a reasonable hygiene level. If the unit isn't to be used, drain all water & dry the water reservoir.

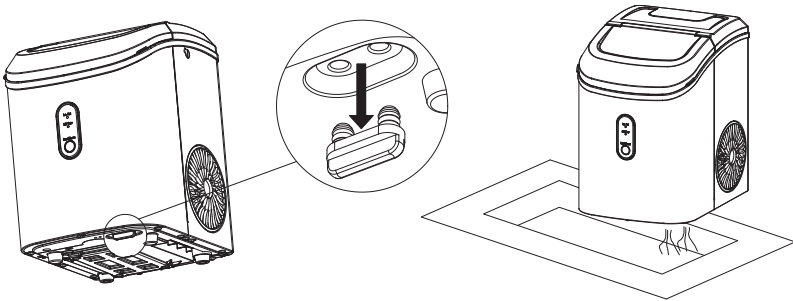
USING YOUR ICE MAKER

System Cleaning/Sanitizing Procedure

1. Unplug the nugget ice maker.

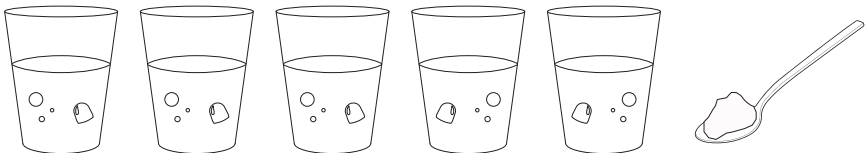


2. Take off the bottom drain cap and drain out the water to a sink. See the figure below.



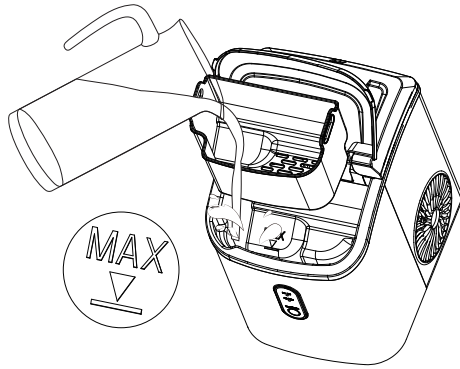
3. Produce a solution by diluting one teaspoon of household bleach with five cups of water for daily cleaning.

For monthly cleaning of removing mineral deposits , please use the white vinegar instead of the above water solution (and then plug in to turn on the "cleaning function" for about 5 minutes. After that, unplug it again to leave the white vinegar in the unit more than 12hours).

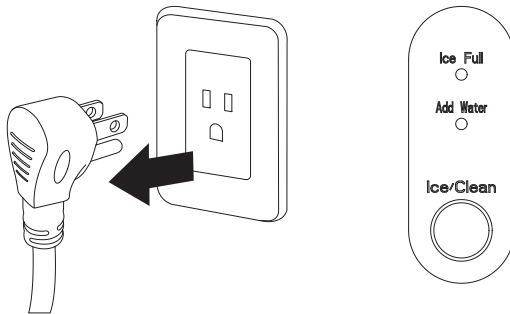


USING YOUR ICE MAKER

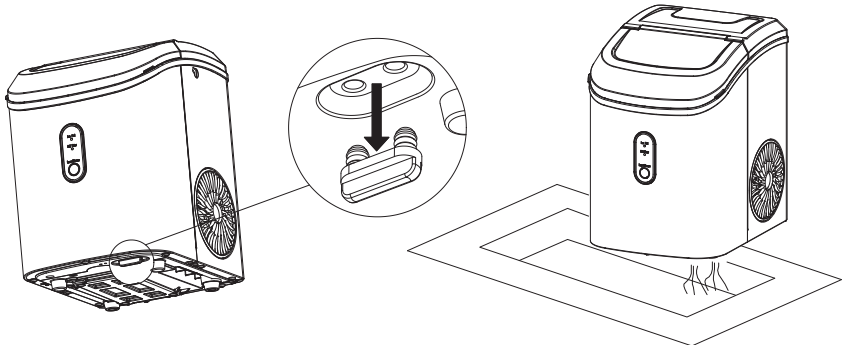
4. Pour the solution into the water reservoir, up to the "MAX" water level. See the figure below.



5. Plug in the Nugget ice maker, press and hold the "Clean" button for 5 seconds to initiate the cleaning process (15 mins). See the figure below.

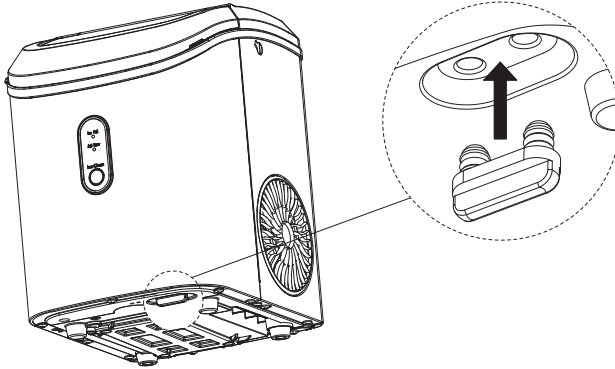


6. When the "cleaning" indicator lights off, take off the drain cap and drain out the water to a sink.

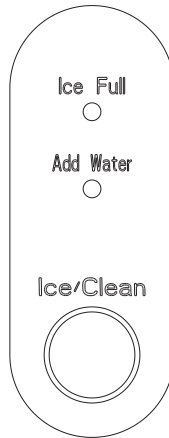


USING YOUR ICE MAKER

7. Repeat the step 4 to 6 with fresh water for two more cycles to rinse the inside.
8. Replace the drain cap on the bottom. See the figure below.



9. When completed, fill the unit with fresh water and press the "Ice" button to start ice making process. See the figure below.



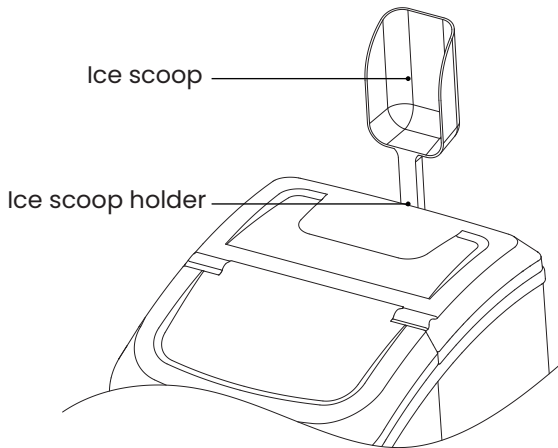
USING YOUR ICE MAKER

How to obtain the ice-cube

1. Before we start making ice, please make sure the water drain cap has been inserted into the appliance; otherwise, it will not work properly.
2. Press the "ICE/CLEAN" button, Ring indicator light flashes white, and it begins to work, Press this button again, and it will stop making ice.
3. For the first time, or if the appliance has not been used for a long time, it is recommended to clean this appliance before you start to make ice.
4. In the process of making ice, if the "Add water" indicator light is on, and the machine stops working, it needs to add water. After adding water, please restart the machine; Otherwise, it needs to wait for a long time and then automatically start making ice again. When the ice-making machine is restarted, the compressor will have a waiting time of 3 minutes.
5. When the machine is full of ice, it will automatically stop working. The "ice full" indicator light will be on, and the ring indicator light will be white. After the ice is removed, the machine starts working automatically.

ice scoop position

Put the scoop on the top back cover.



TROUBLESHOOTING

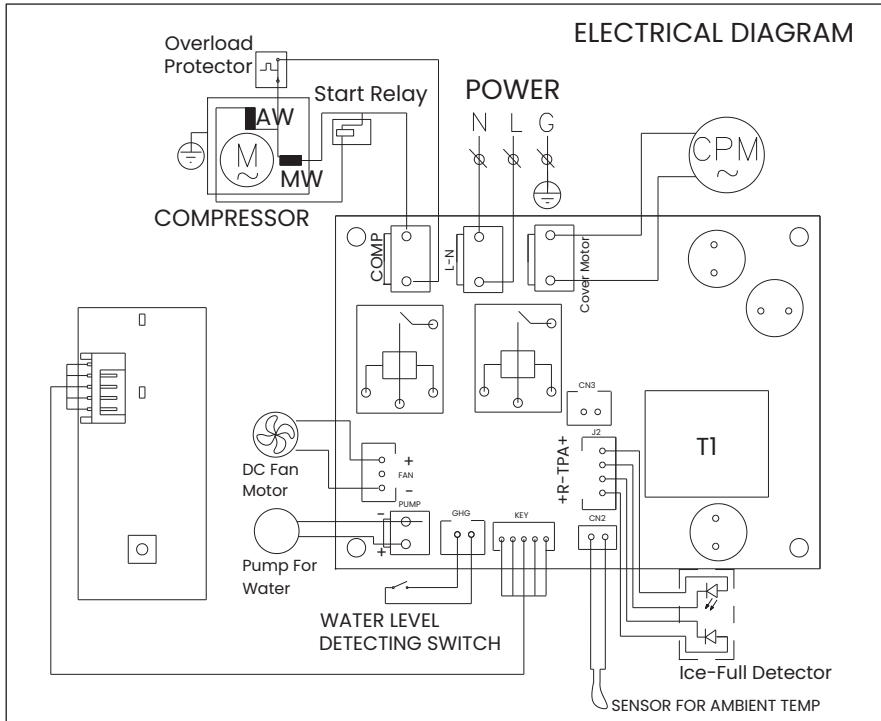
PROBLEM	POSSIBLE CAUSE	SOLUTION
"Add Water " indicator turns on	Lack of Water.	Stop the ice maker, fill water, and press "ICE/CLEAN" button again to restart the unit.
"ICE FULL" indicator turns on	There is too much ice.	Suggest you take out the ice-cube.
	No ice cube inside.	Remove the probable obstacle inside or clean the inside wall of the ice storage.
Ring indicator light flashes red	Ambient temperature or water temperature in inner tank is too high.	Please run the ice maker below 90 Fahrenheit degree ambient and pour colder water into tank.
	Refrigerant liquid leakage.	Press the ICE button twice, restart ice making program, if this problem shows up again, please verify by a qualified technician.
	Cover motor is broken.	
	Pipe in the cooling system is blocked.	
Making Ice too slowly	Making Ice too slowly	Hot Air outlet must be guaranteed to have more than 15 CM of ventilation distance.
	Water temperature in inner tank is too high.	Water temperature requirement between 7°C-32°C.
	Refrigeration system malfunctions.	Verify by a qualified technician.
Water leakage	Drain plug not in place.	Put the drain plug in place.
	Pipe joint in the appliance may loose	Verify by a qualified technician.
	The seal has reached service life	Please replace with a new one.

TECHNICAL PARAMETERS

Model	VH1211
Protection Type	I
Power	115V/60Hz
Ice Making Current	2.7A
Refrigerant	R600a / 16g
Vesicant	C ₅ H ₁₀
Dimension	287x220x322 mm (11.3x8.7x12.7 inch)



CIRCUIT DIAGRAM





NOTE:

To continuously improve its products, VIVOHOME reserves the right to modify this information without prior notification. For any questions regarding assembly, please watch the video on the product page or contact our customer service. Our customer service will gladly assist you with any additional questions, comments, or concerns. Thank you for using VIVOHOME products in your home!

Thank You For Purchasing From
VIVOHOME
Made in China